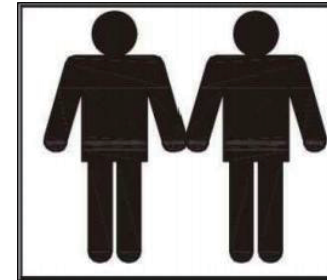
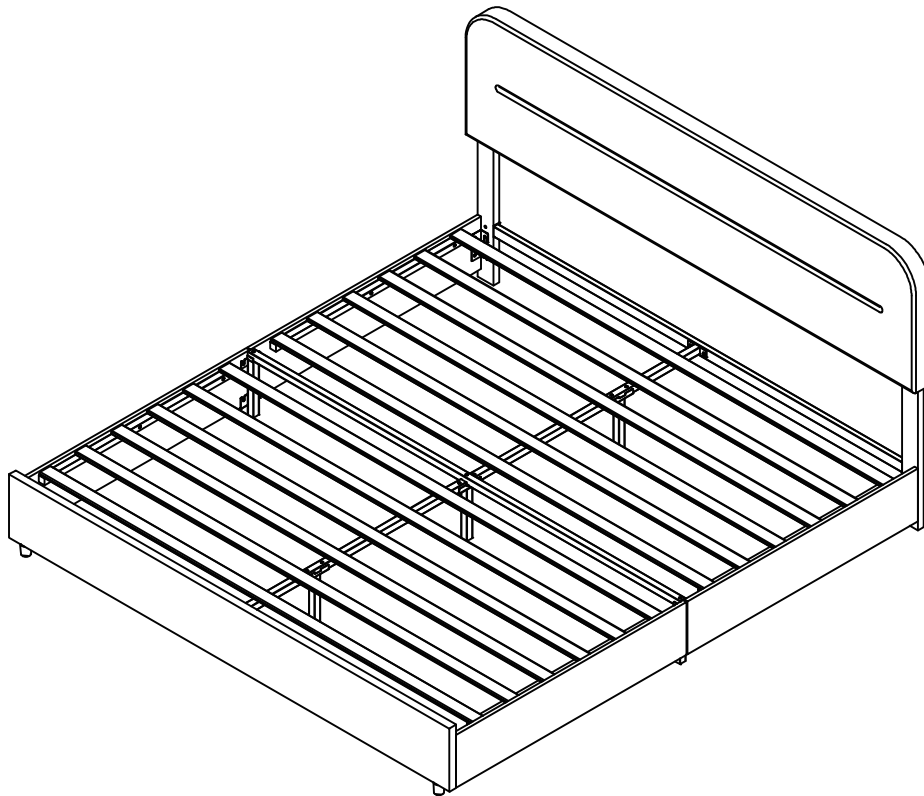


Assembly Instruction

Note:

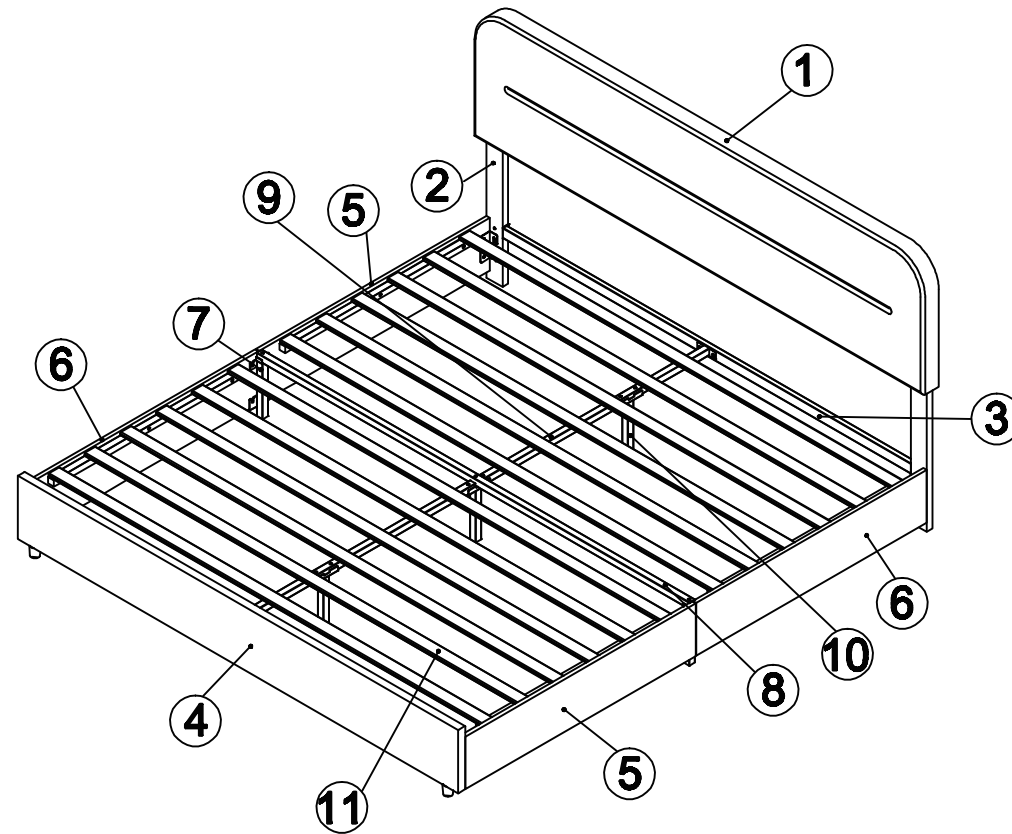
- 1. Should be assembled on flat ground to keep balance.**
- 2. Before completing the installation, do not tighten the screws.**



It needs at least two people to install.




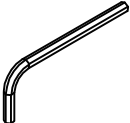
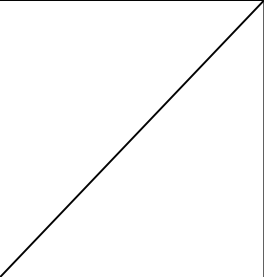
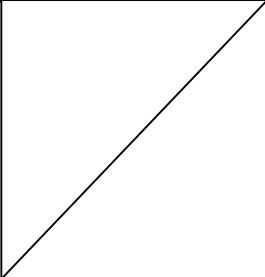
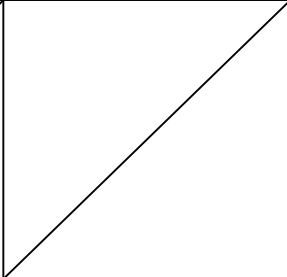


Before starting the assembly, you must read the whole manual and follow the instructions.

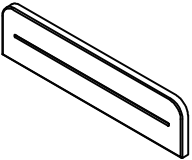


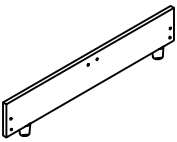
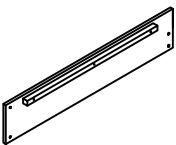
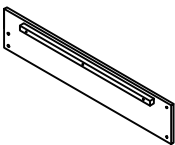

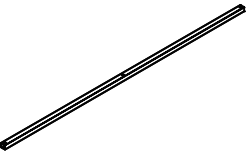
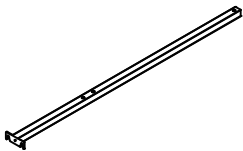
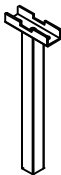
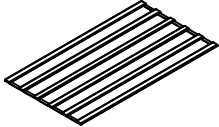
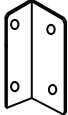

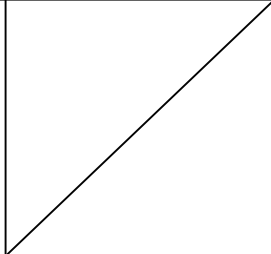
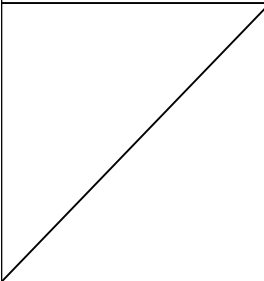
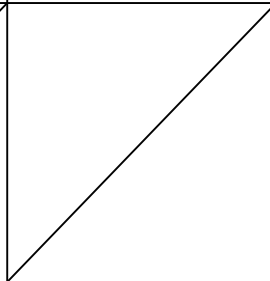
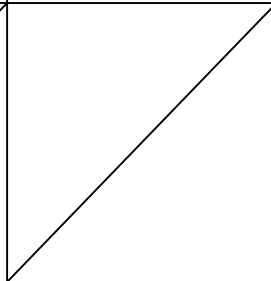
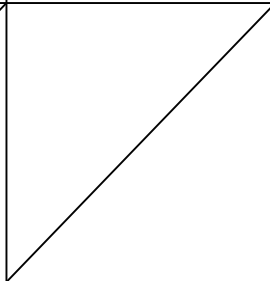
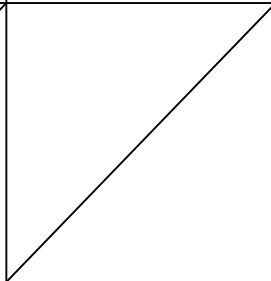
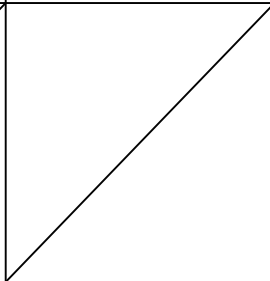
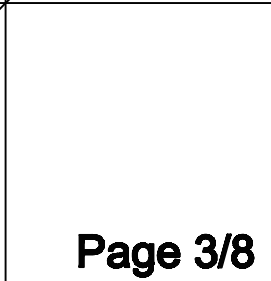


Assembly Instruction



Hardware arts

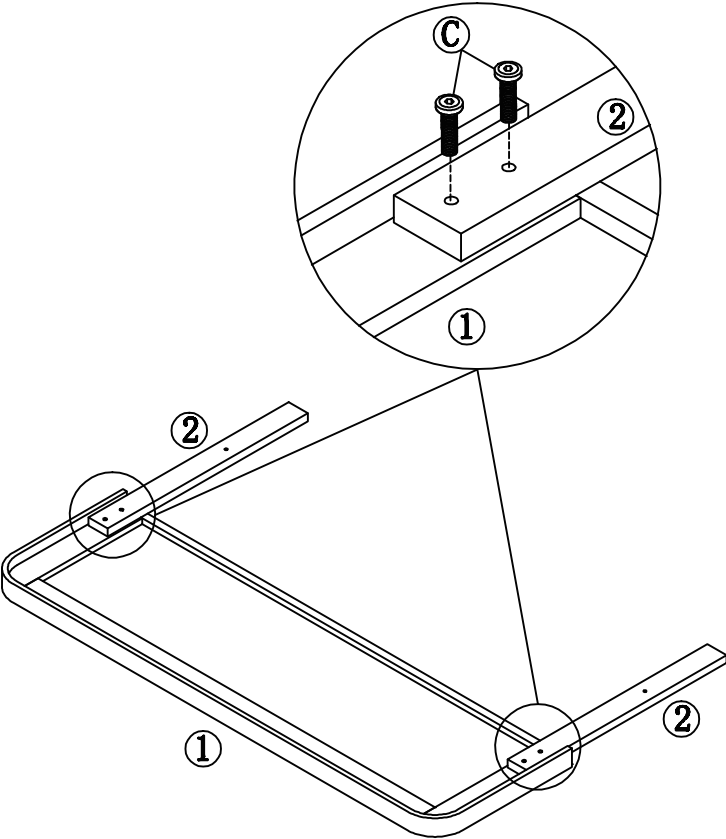
 A M8*20 32PCS	 B M8x35 8pcs	 C M8x45 5pcs	 D 4# 1pc			
--	---	---	---	---	---	---



Part list

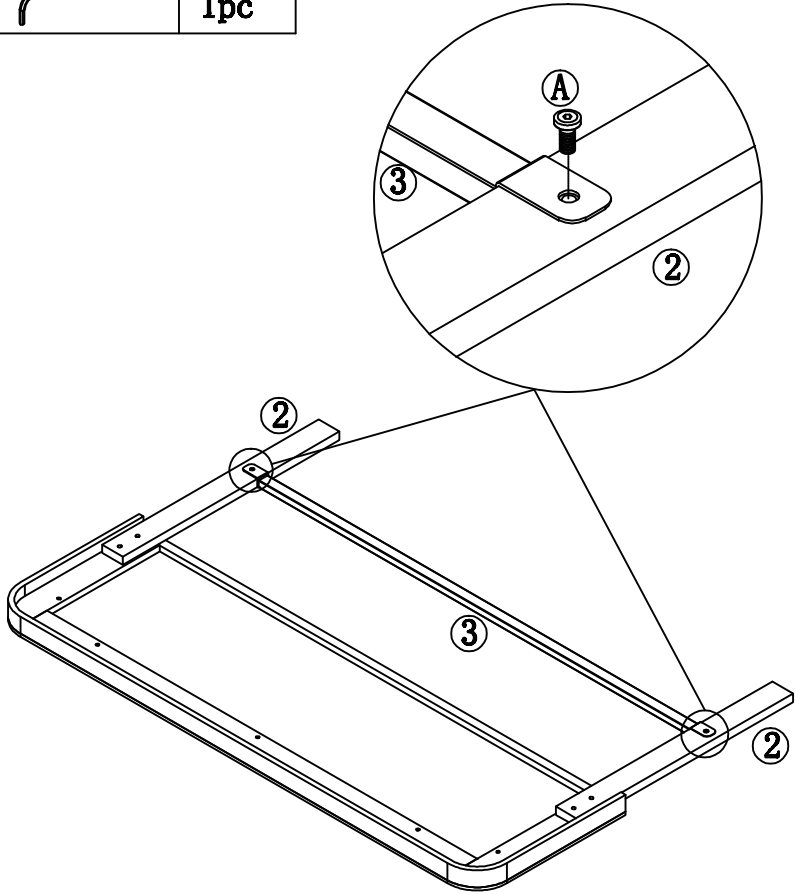
 1 1 PC	 2 2 PCS	 3 1 PC	 4 1 PC	 5 2 PCS	 6 2 PCS	 7 2 PCS
 8 1 PC	 9 2 PCS	 10 3 PCS	 11 2 PCS	 12 4 PCS		
						

Assembly Instruction

C	 M8x45	4pc
D		1pc

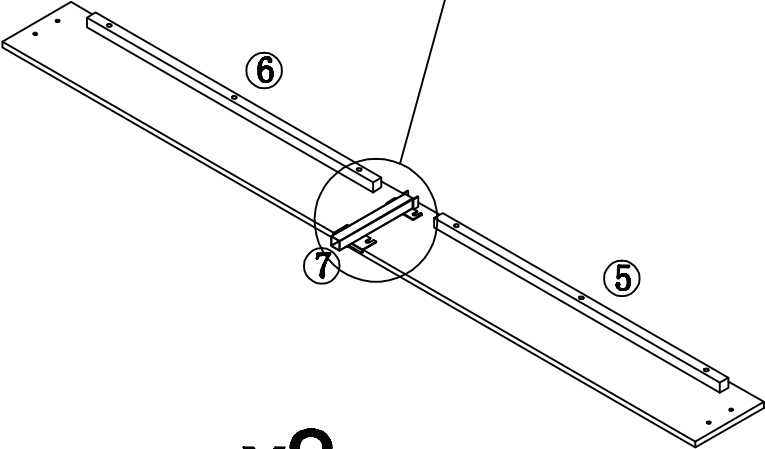
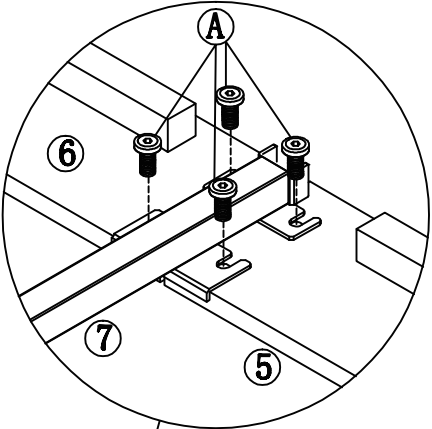


A	 M8x 20	2pc
D		1pc





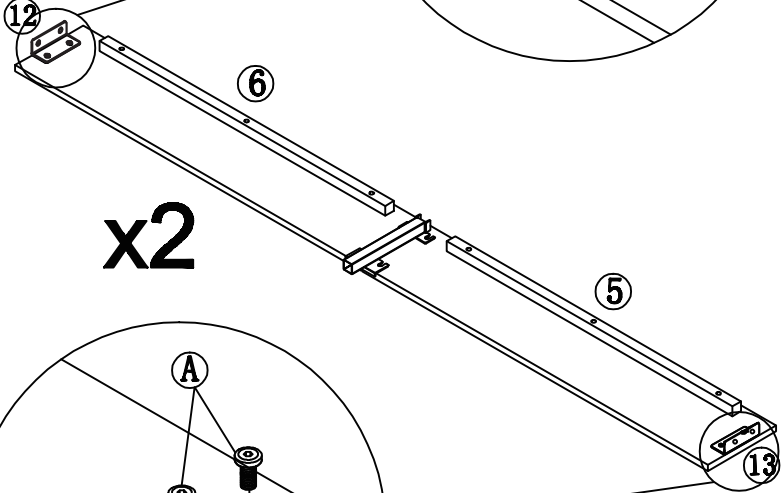
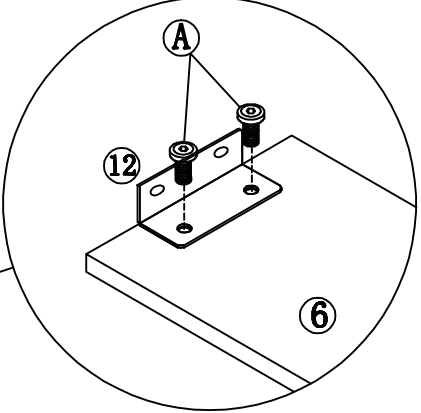
Assembly Instruction

A	 M8x 20	8pcs
D		1pc

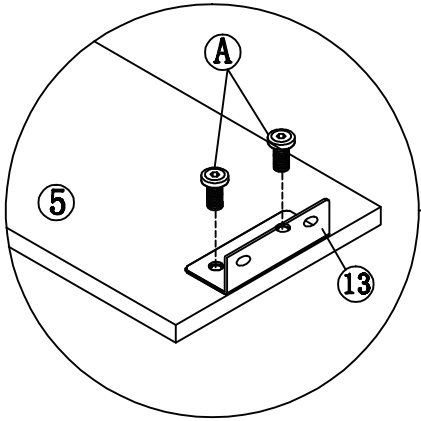


x2



A	 M8x20	8pcs
D		1pc

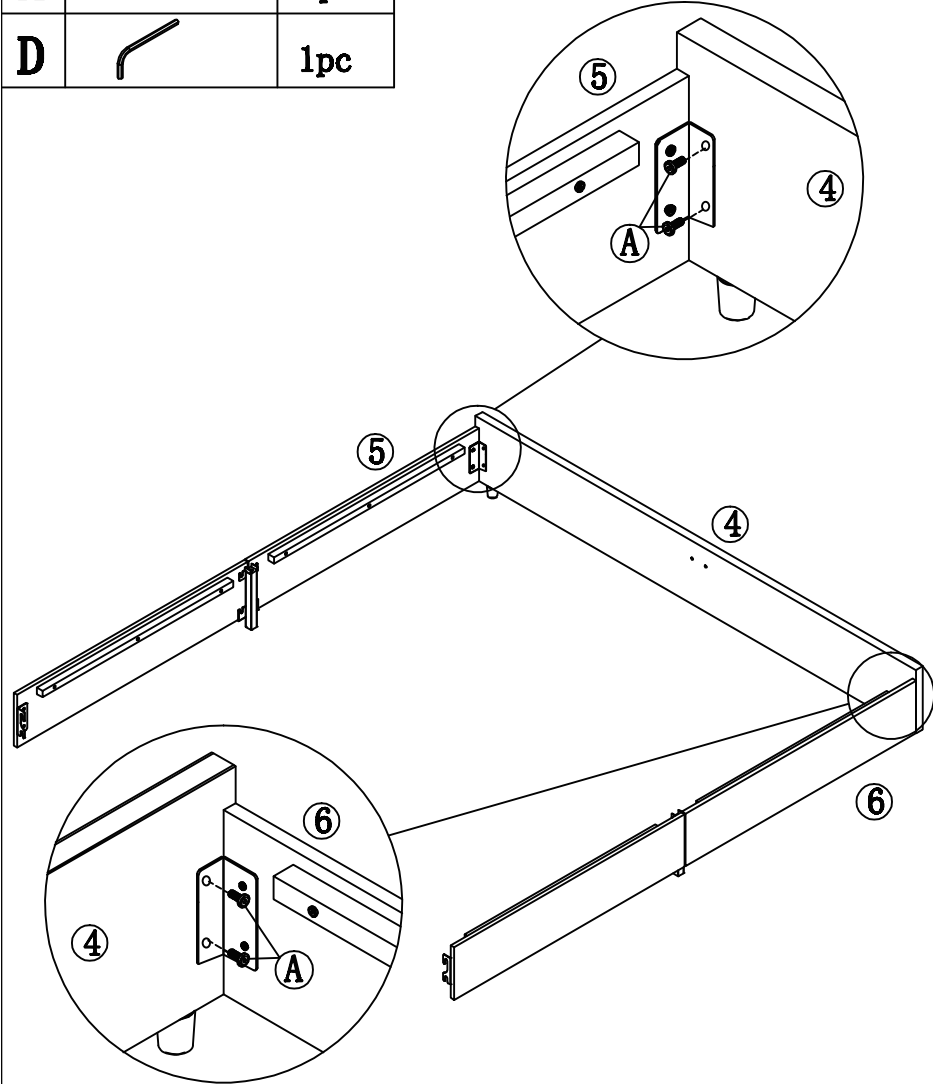


x2

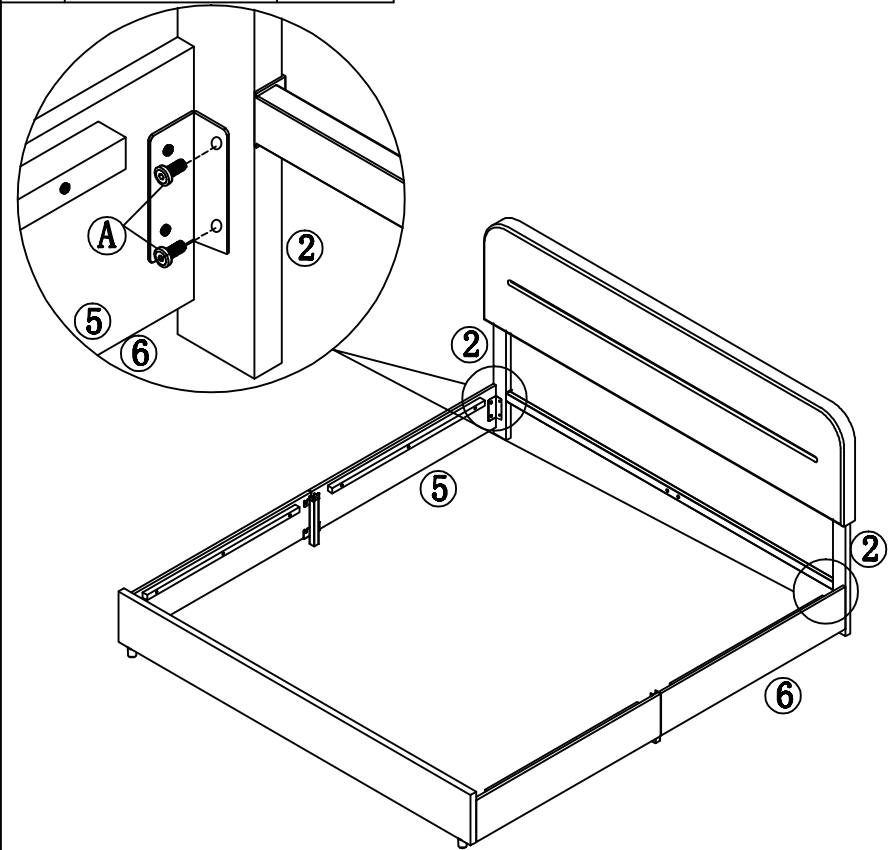


Assembly Instruction




A	 M8x20	4pcs
D		1pc






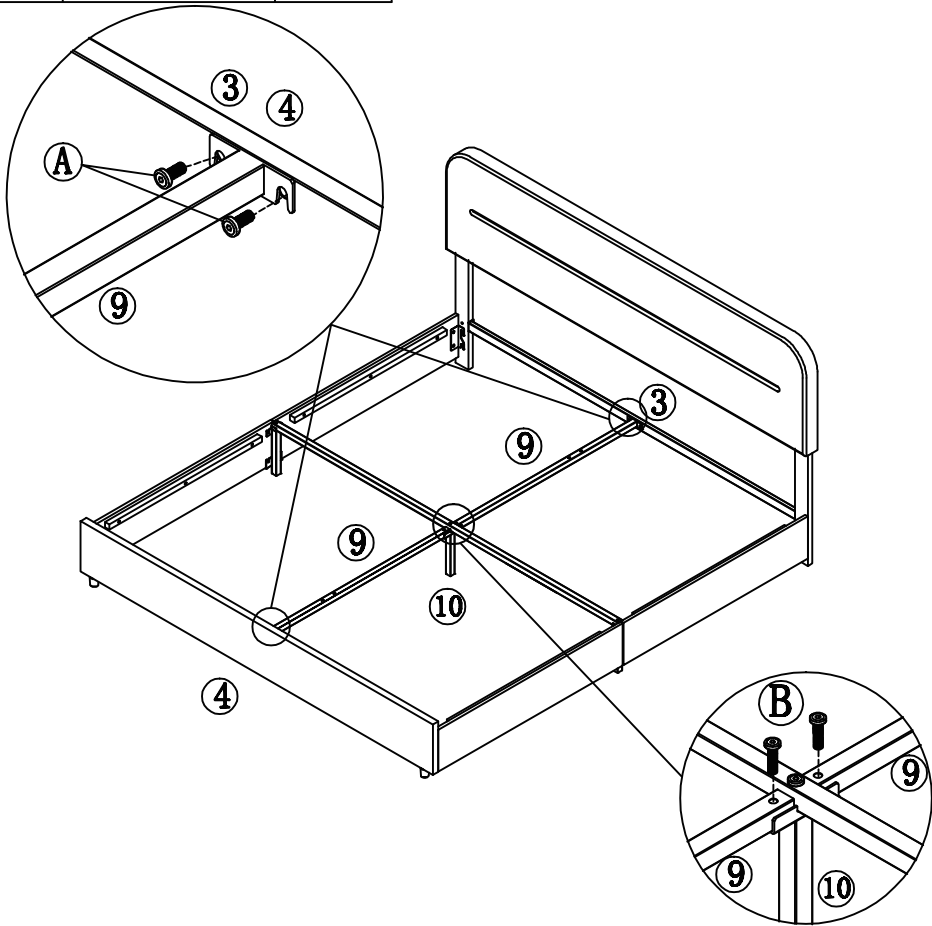
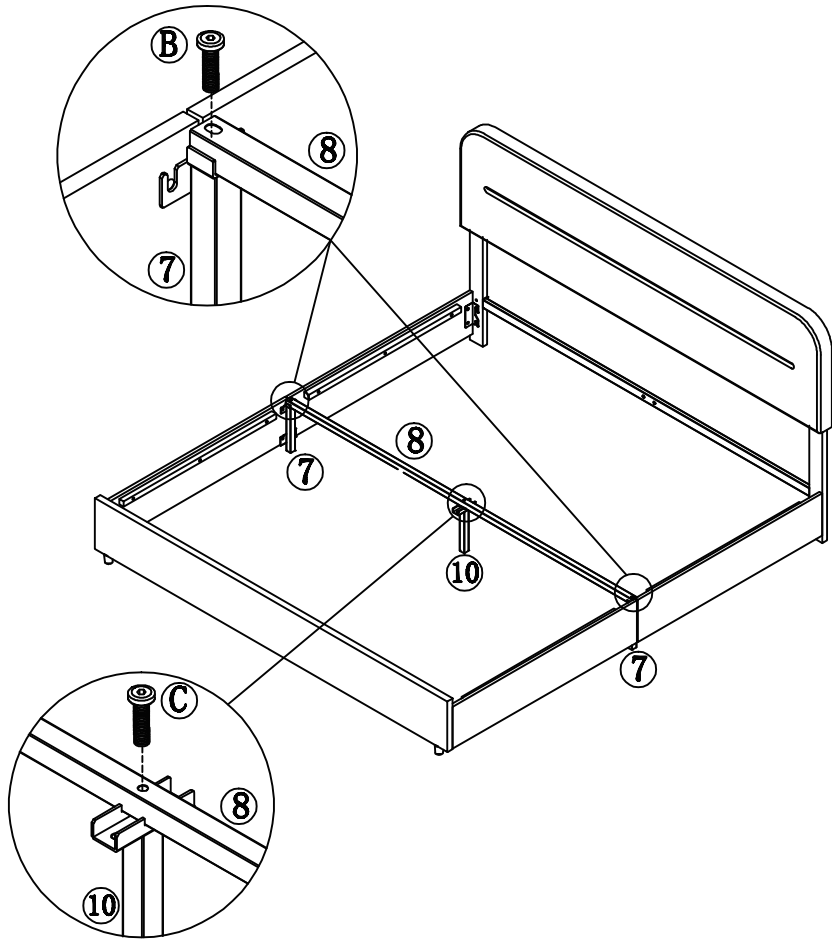
A	 M8x20	4pcs
D		1pc





Assembly Instruction

B	 M8x35	2pcs
C	 M8x45	1pc
D		1pc

A	 M8x.20	4pcs
B	 M8x35	2pcs
D		1pc



Assembly Instruction

B	 M8x35	4pcs
D		1pc

