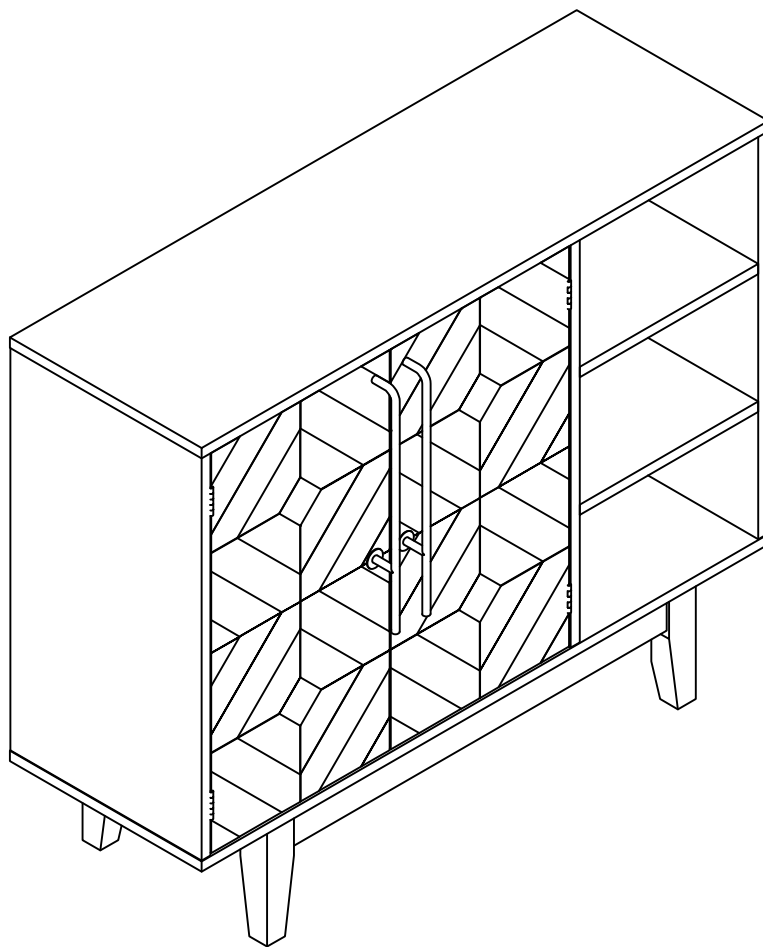
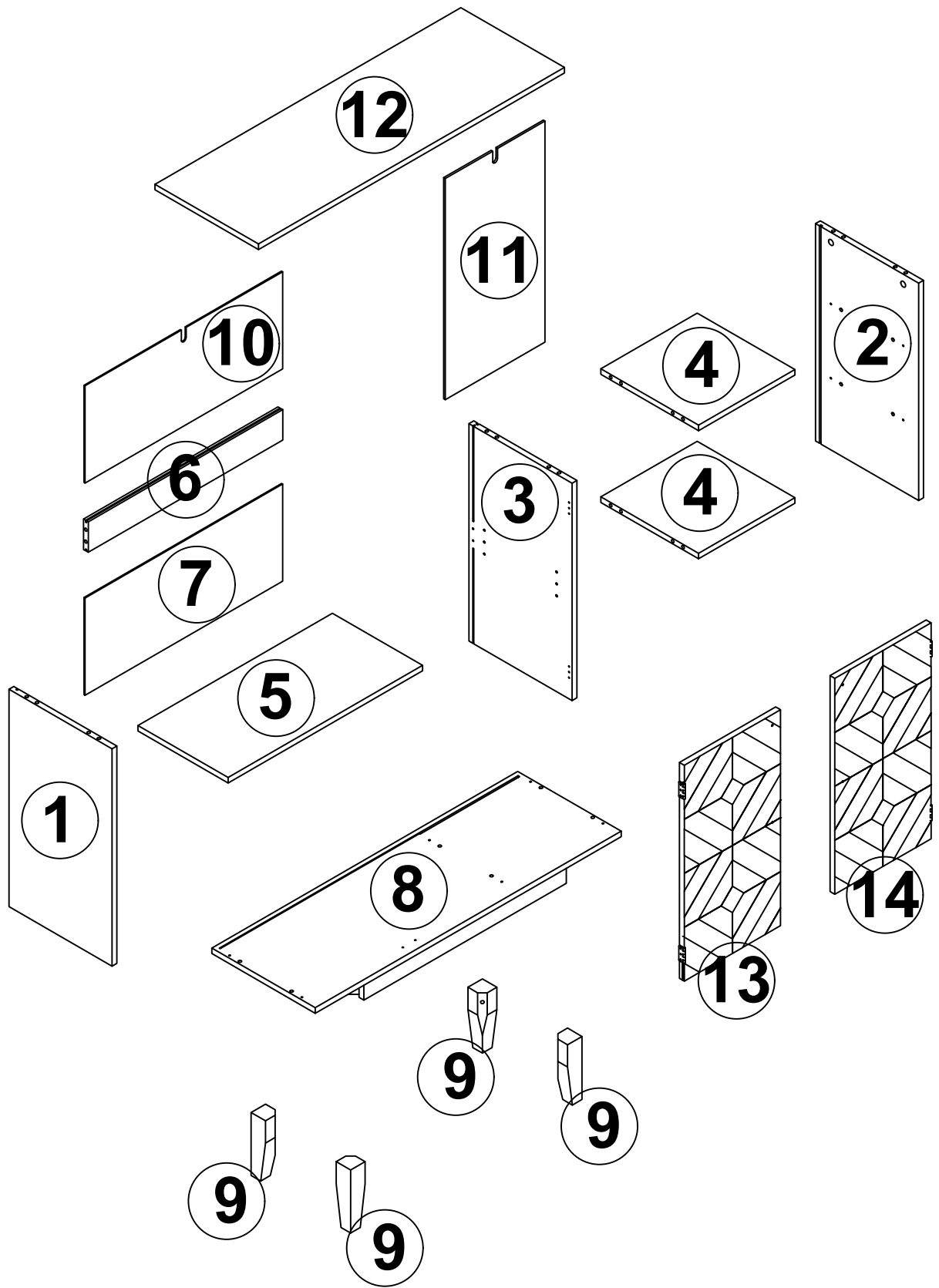


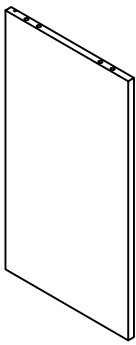
# Assembly Instruction

## SKU:24PJ1114HKD

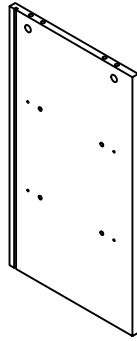


If you have any problem with assembly or there are parts missing, please email us at [support@pjcollection.store](mailto:support@pjcollection.store).





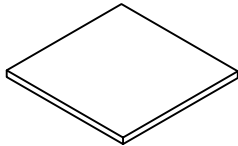
① x 1



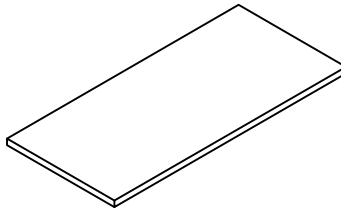
② x 1



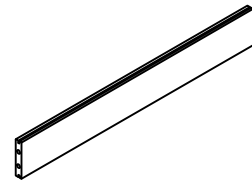
③ x 1



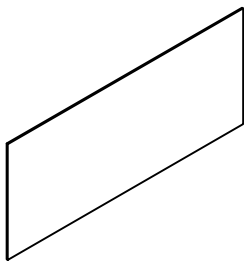
④ x 2



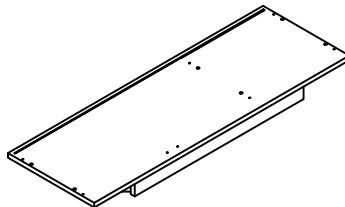
⑤ x 1



⑥ x 1



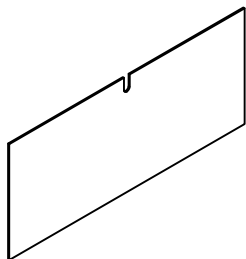
⑦ x 1



⑧ x 1



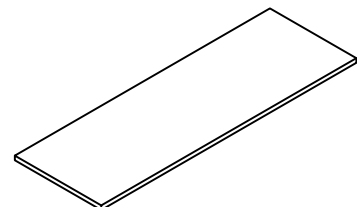
⑨ x 4



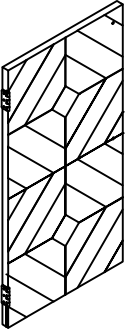
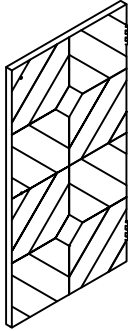
⑩ x 1





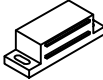

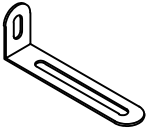

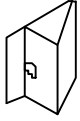
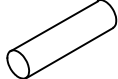
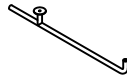


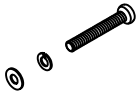
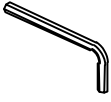


⑪ x 1

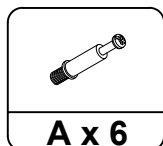
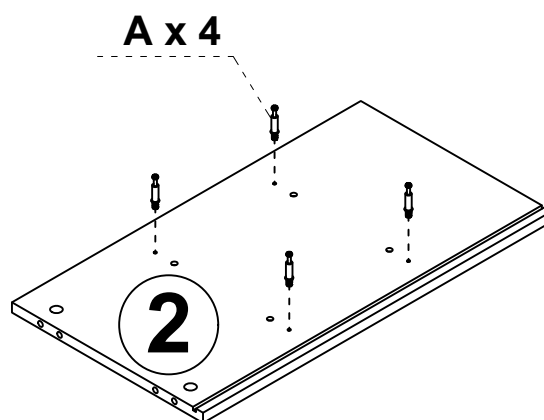
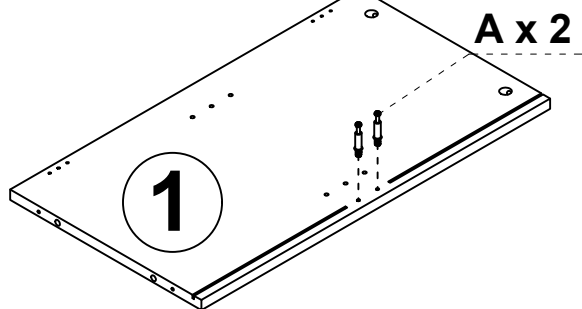


⑫ x 1

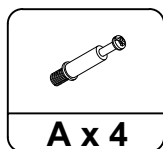
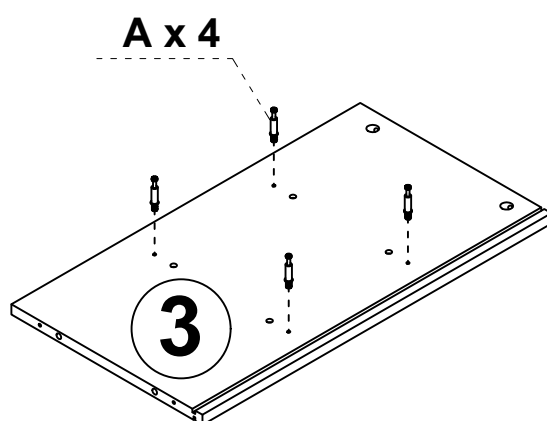
		
<b>13 x 1</b>	<b>14 x 1</b>	

					
<b>A x 18+1</b>	<b>B x 18+1</b>	<b>C x 20+2</b>	<b>D x 2</b>	<b>E x 2</b>	<b>F x 28+2</b>
					
<b>G x 2</b>	<b>H x 4</b>	<b>I x 12+1</b>	<b>J x 4</b>	<b>K x 2</b>	<b>L x 2</b>
					
<b>M x 8+1</b>	<b>N x 4</b>	<b>O x 1</b>			
<b>M4x40mm</b>	<b>M6x45mm</b>				

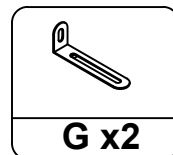
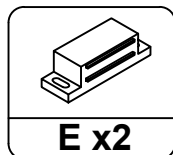
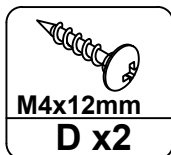
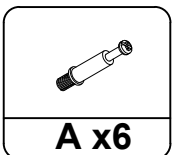
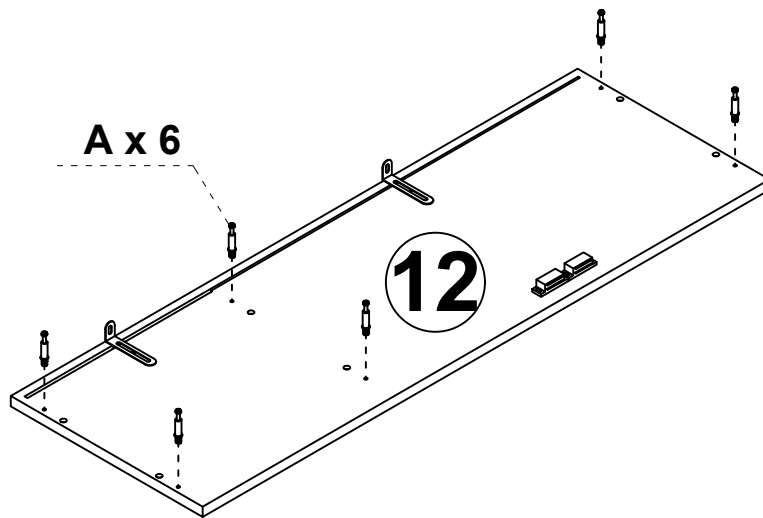
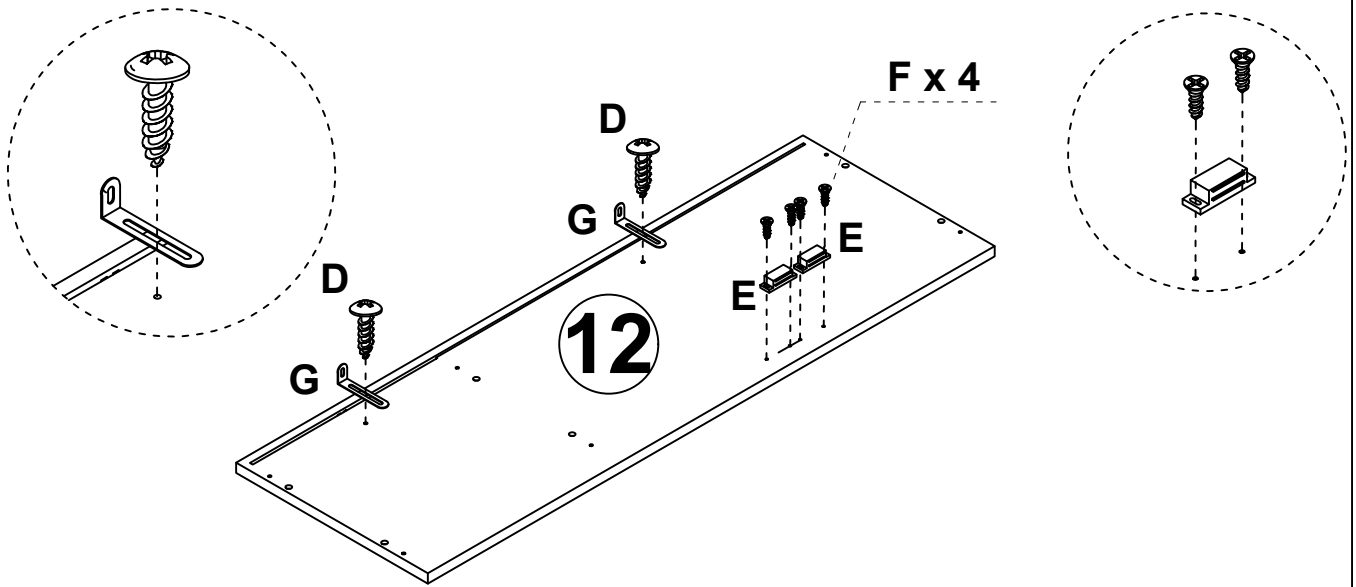
## Step 1



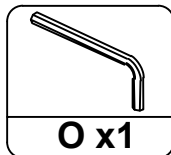
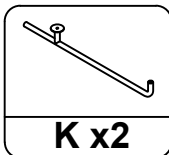
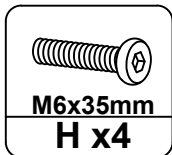
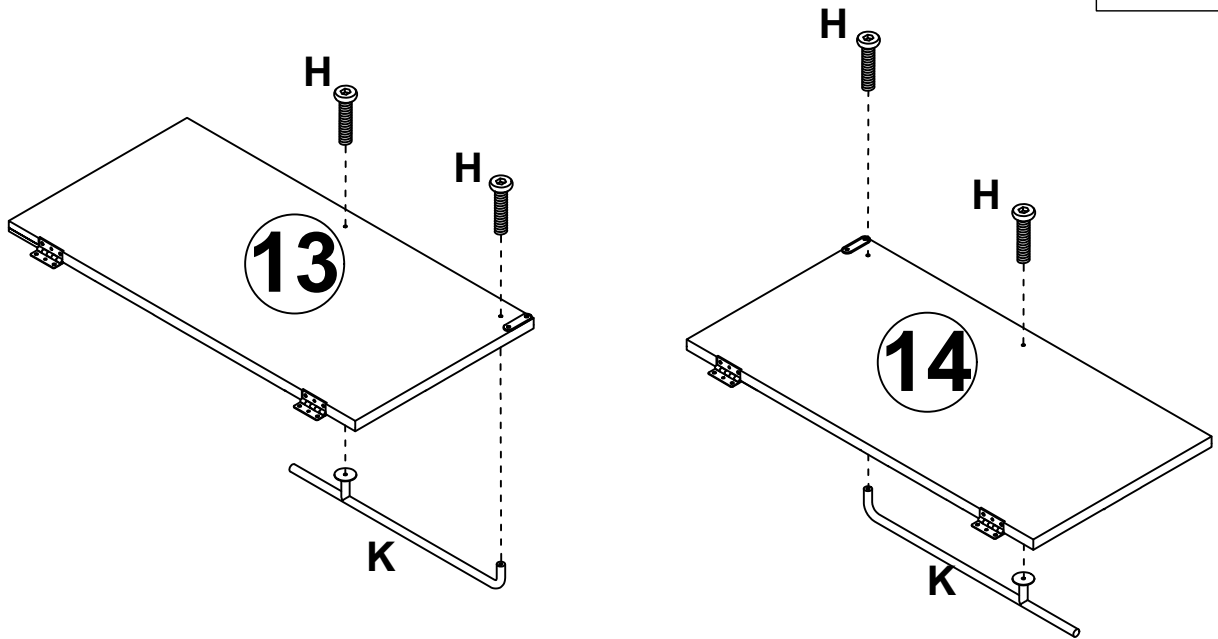
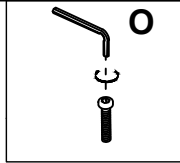
## Step 2



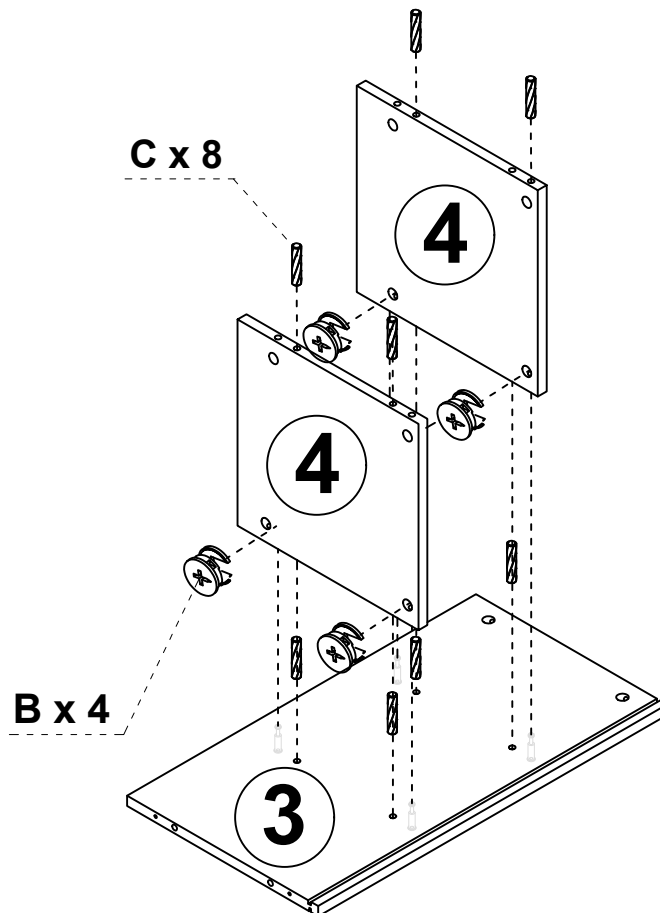
# Step 3



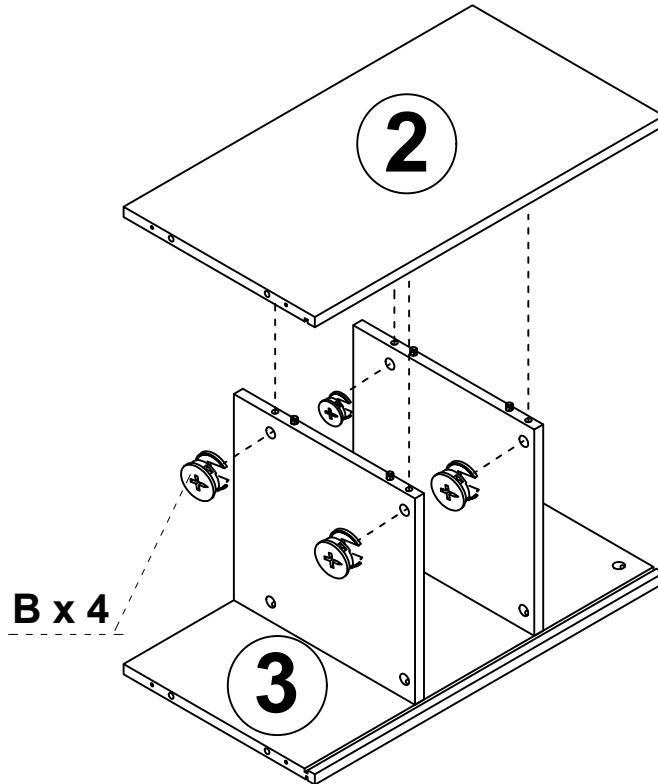
## Step 4



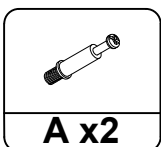
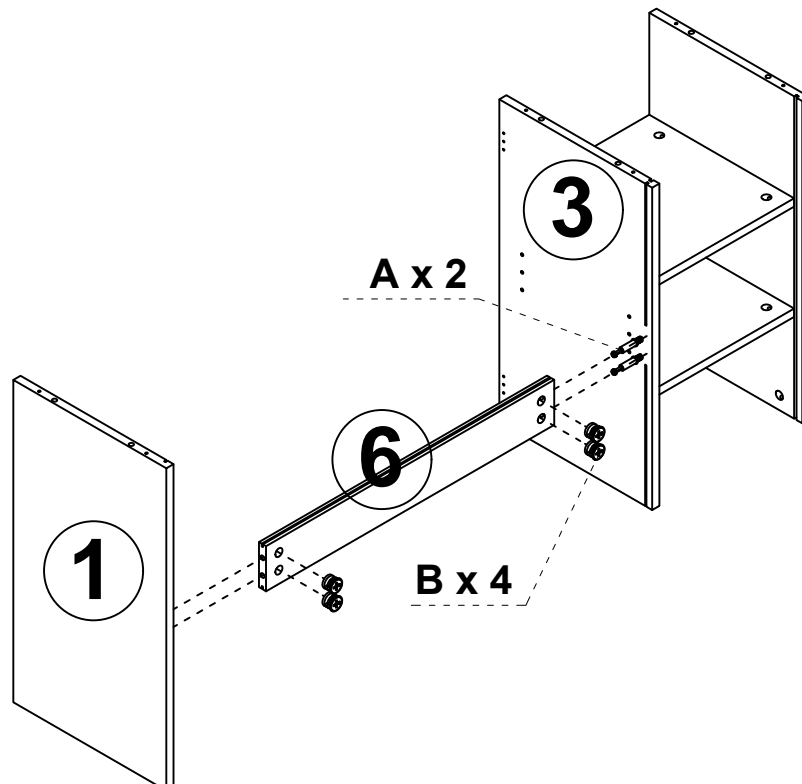
## Step 5



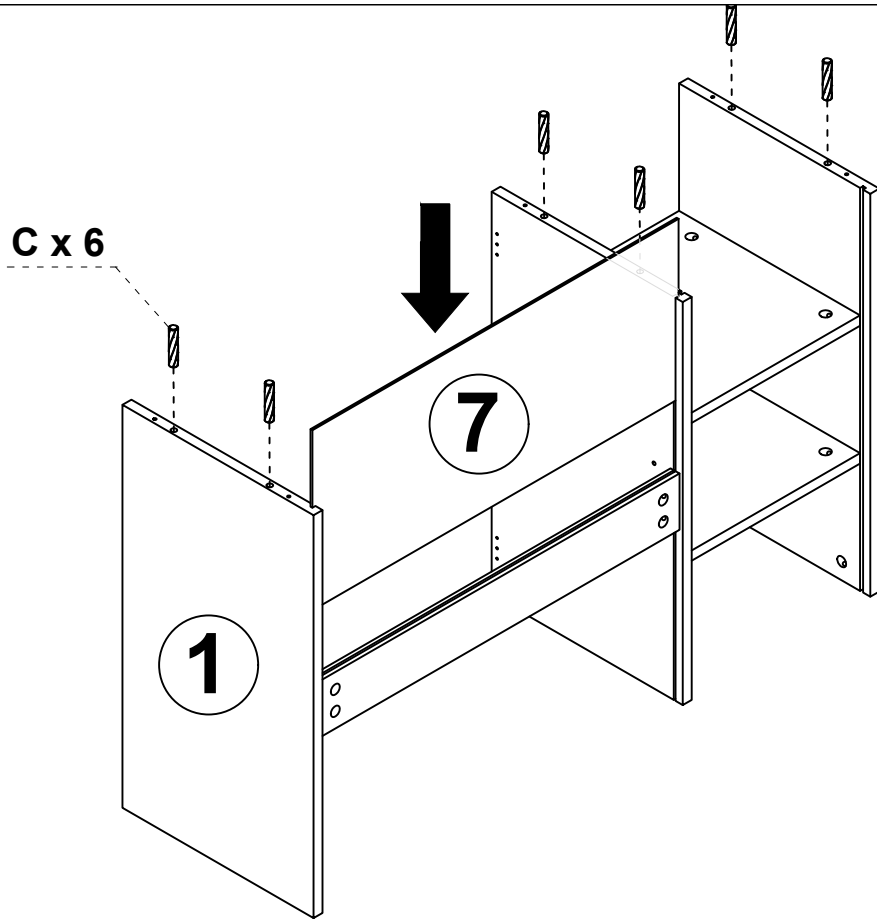
## Step 6



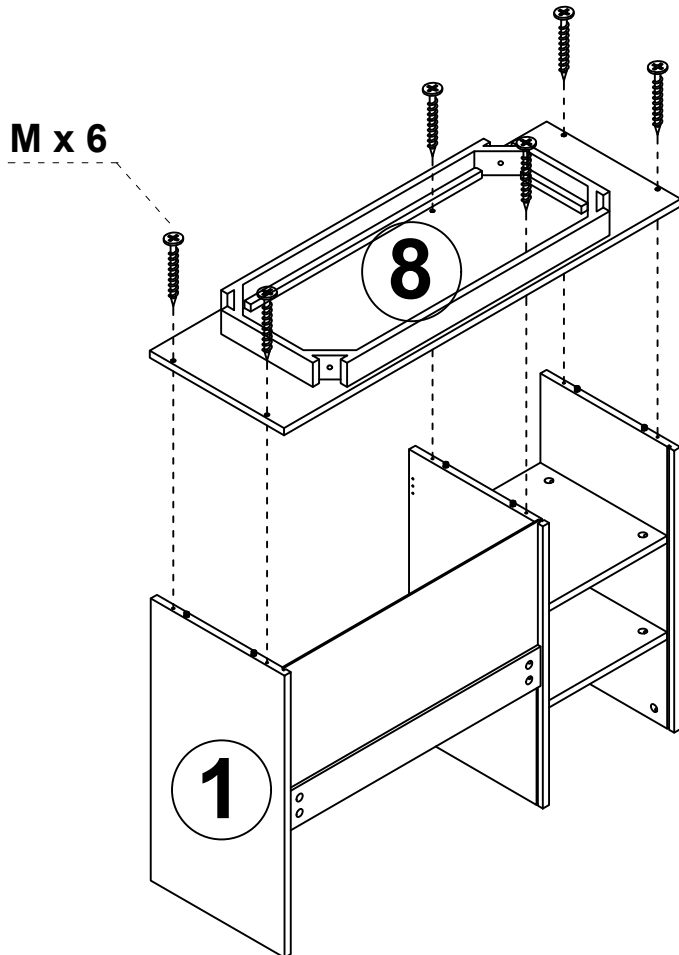
## Step 7



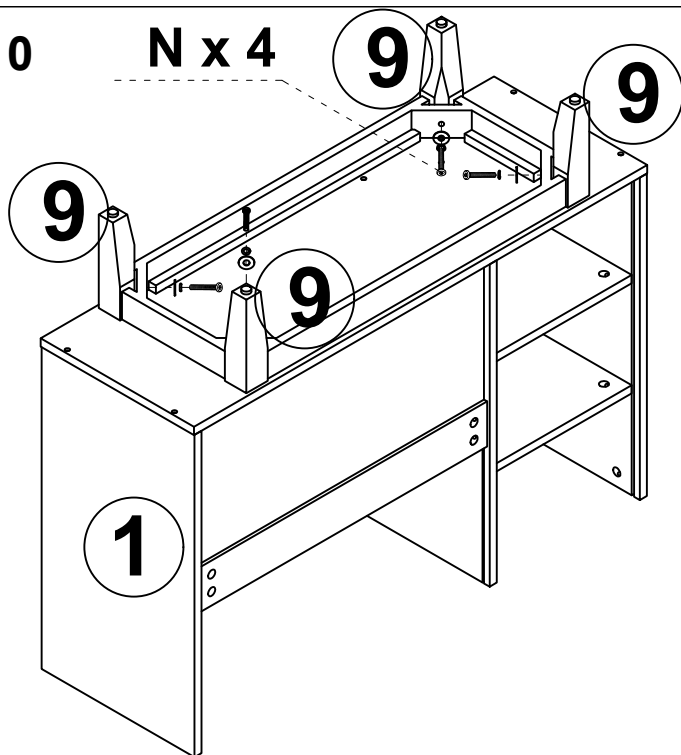
## Step 8



## Step 9



### Step 10



N x 4

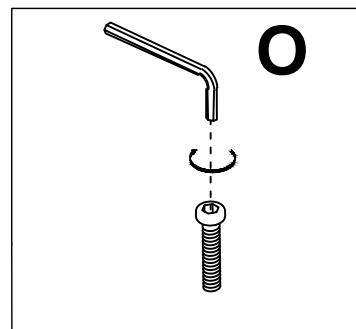
9

9

9

9

1



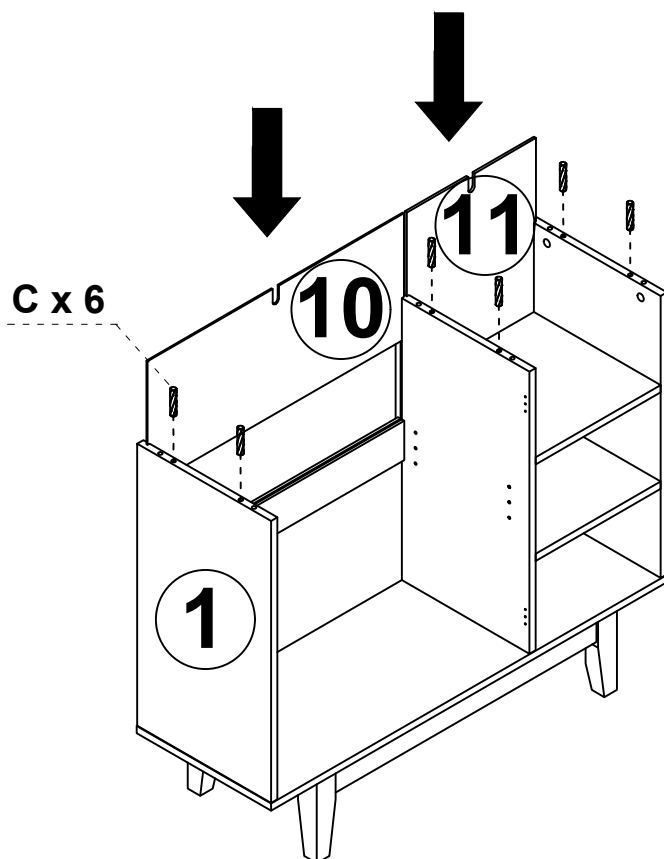
0



M6x45mm

N x 4

### Step 11

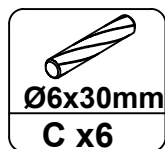


C x 6

10

11

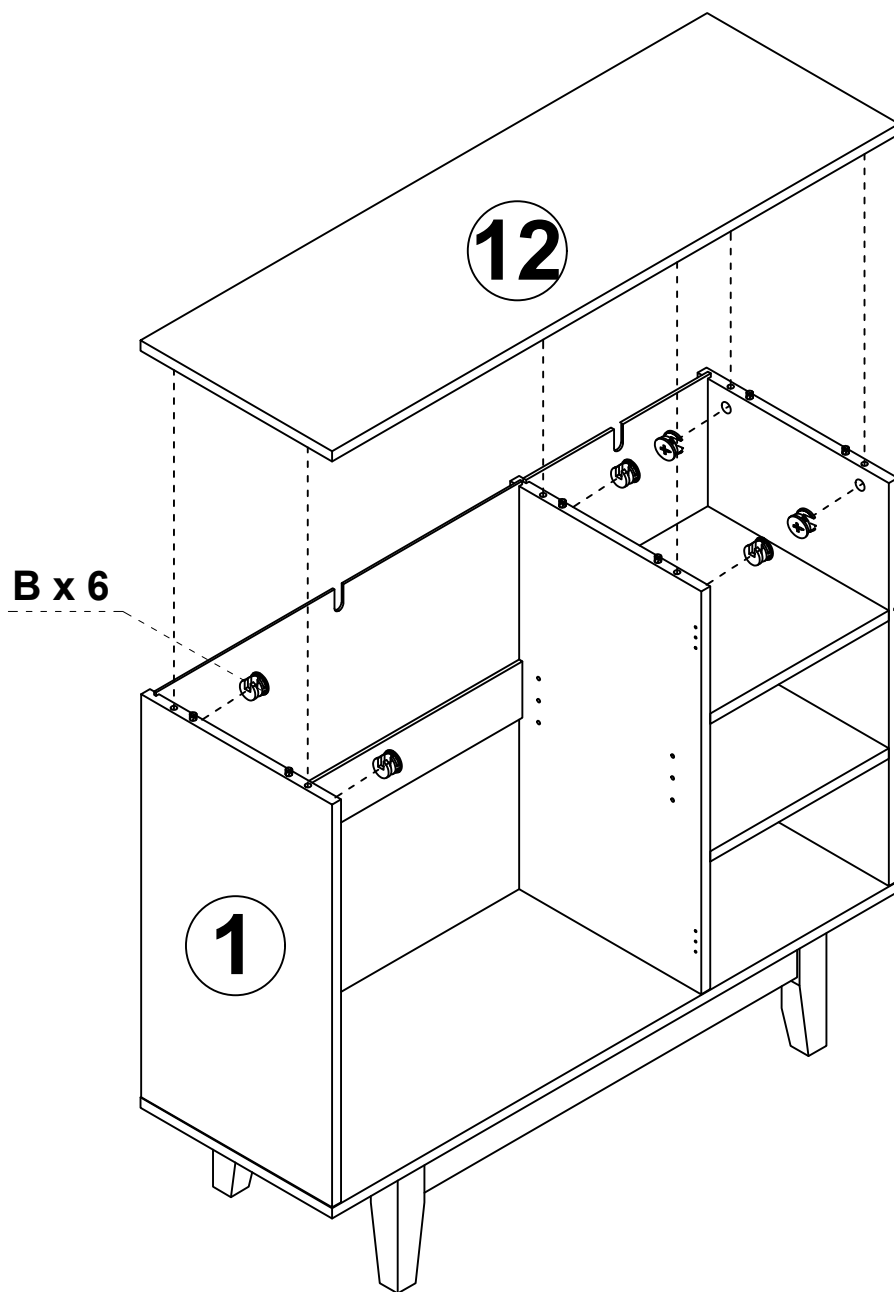
1



Ø6x30mm

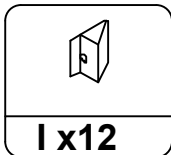
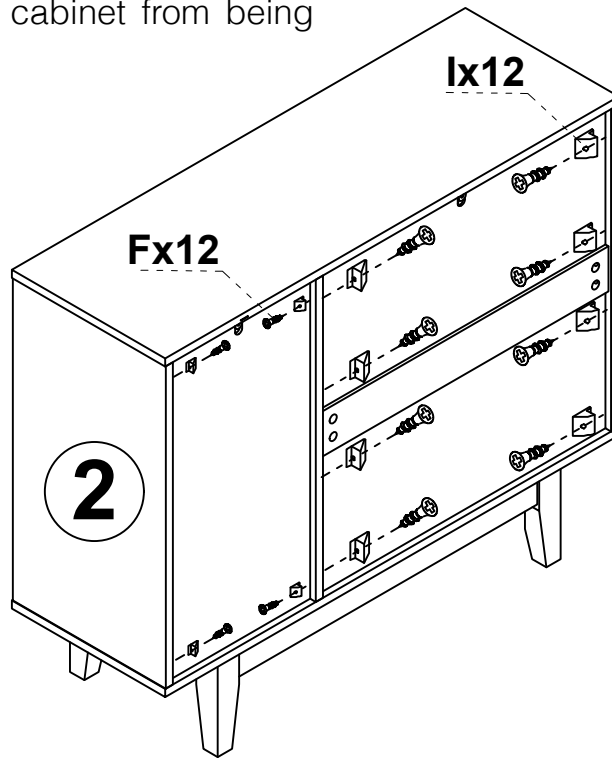
C x 6

# Step 12

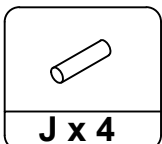
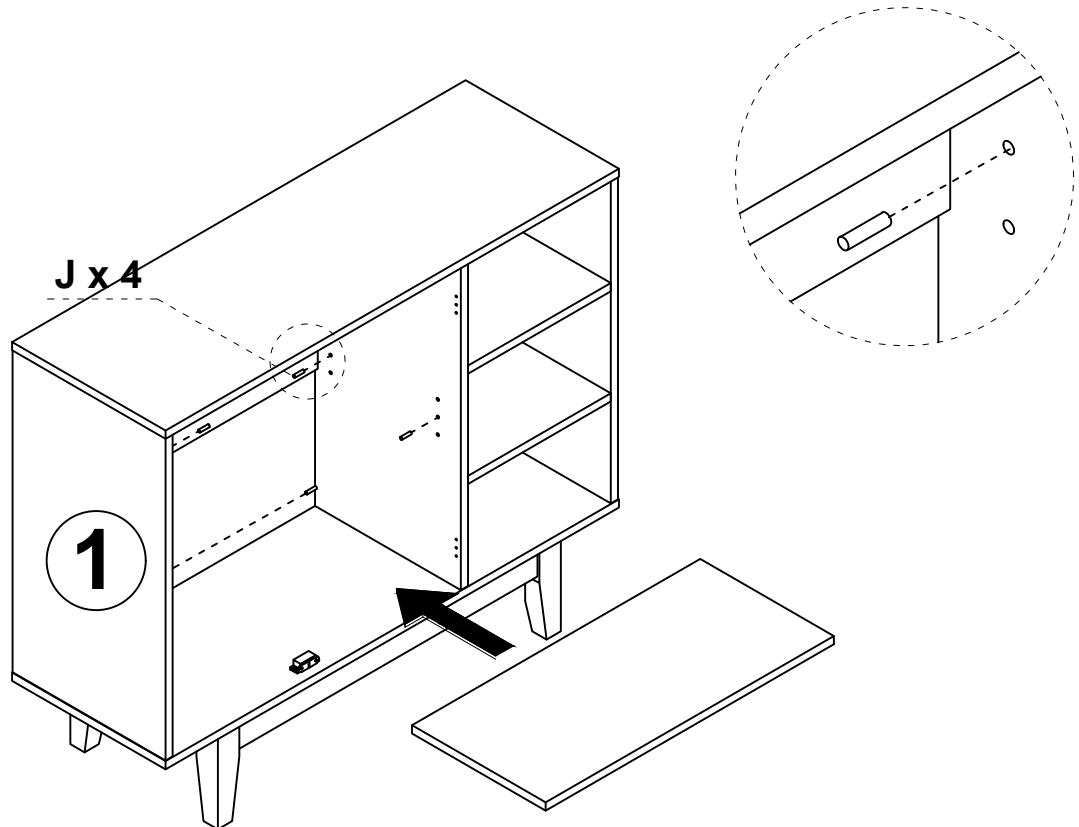


## Step 13

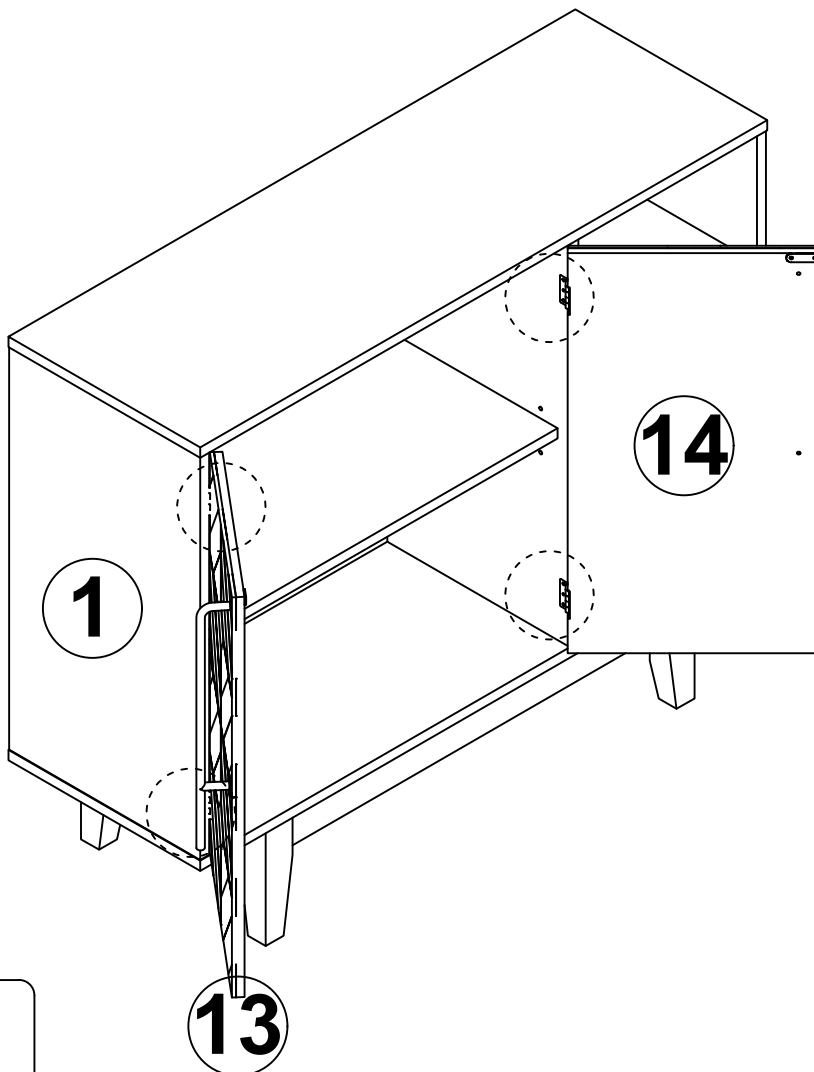
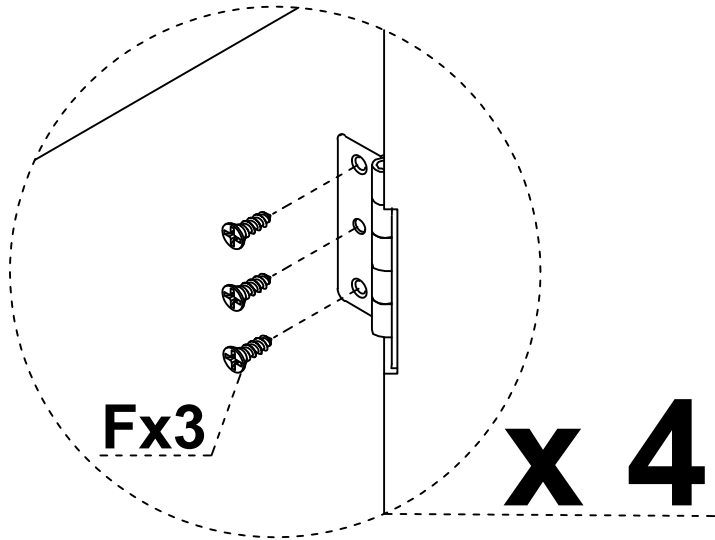
Please insert the anchors at all corners at the back to prevent the cabinet from being wobbly and loose.



## Step 14

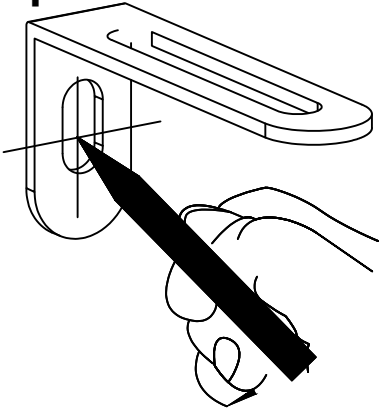


# Step 15

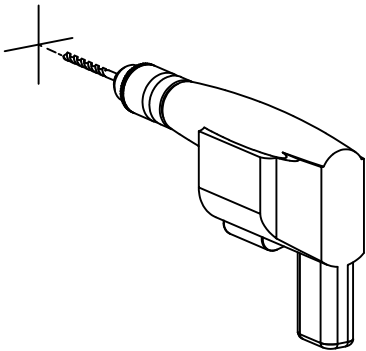


# Step 16

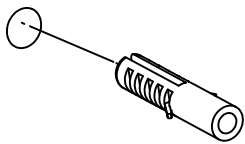
## step 1



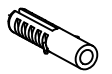
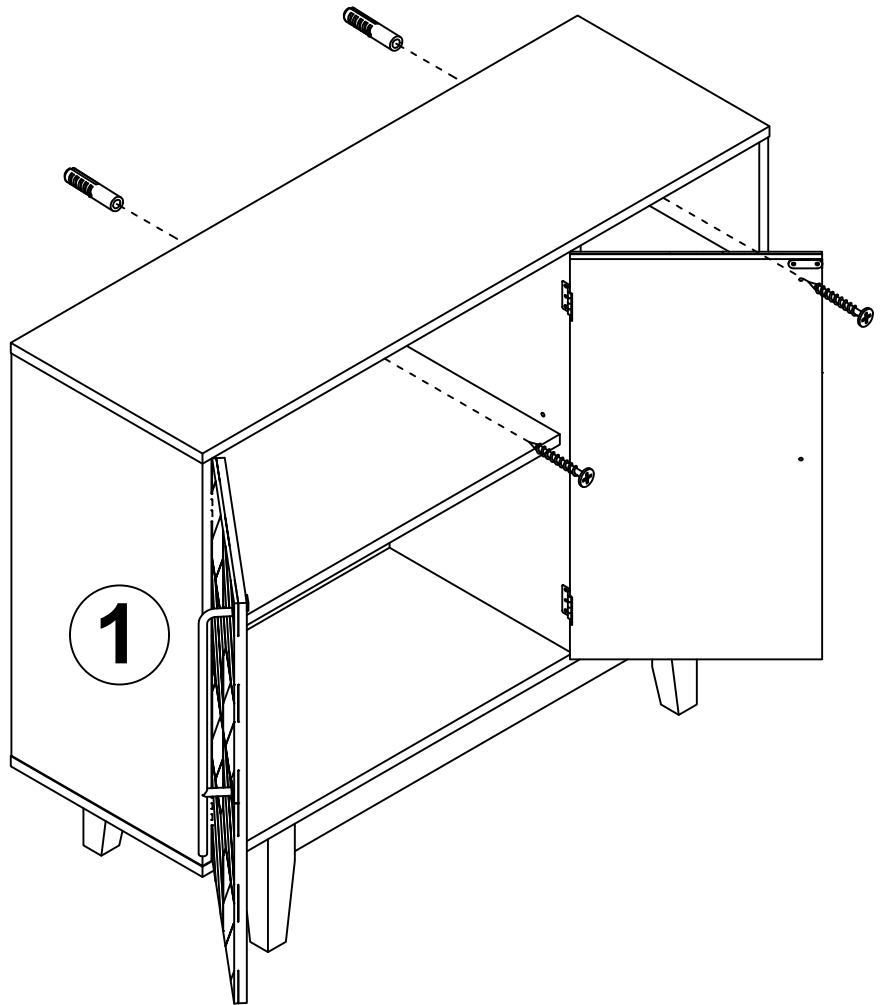
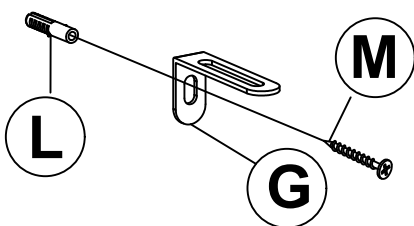
## step 2



## step 3



## step 4



L x2



M4x40mm

M x2

## Step 17

