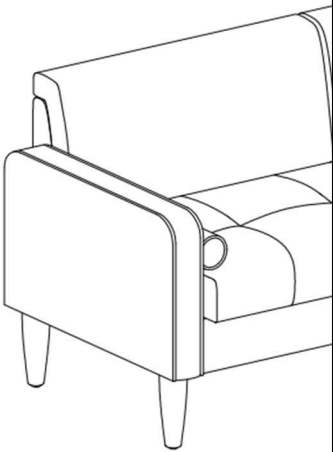


Owner Manual



WARRANTY

We strive to offer high quality product and we also try our best to satisfy each customer that order from us, no matter on products or services as needed. Each customer receives a record of their order, such as the order number or item receipt. For any items that are out of warranty period, you may still be able to purchase the replacement parts from our company if they are available.



MAINTENANCE AND WARNING

Please read the manual thoroughly
before you start installing.

Please keep the product away from
sharp object.

Packaging and small parts may have
chocking hazard, please keep them away
from children and pets.

Please clean the product according to each
clean code, check the product description
for more information.

Please keep the product away from
fire.

If you have any other questions, please
contact us, we will be glad to help you out.

If the product is placed under direct
sunlight, the pattern or color might fade
away overtime.

Check the product periodically to make
sure everything is secured and tightened.


Always use proper tools for installation.

Do not jump on the product.



Around 35 min

PRODUCT DESCRIPTION



Crafted with ultra-soft corduroy fabric that feels smooth and gentle on the skin, adding visual warmth and tactile comfort to your space.

The wide and generously angled backrest supports long hours of lounging, offering the perfect mix of relaxation and structure.

Seat cushions feature a blend of high-density foam, synthetic fiberfill, and a built-in spring pack, balancing softness and responsiveness.

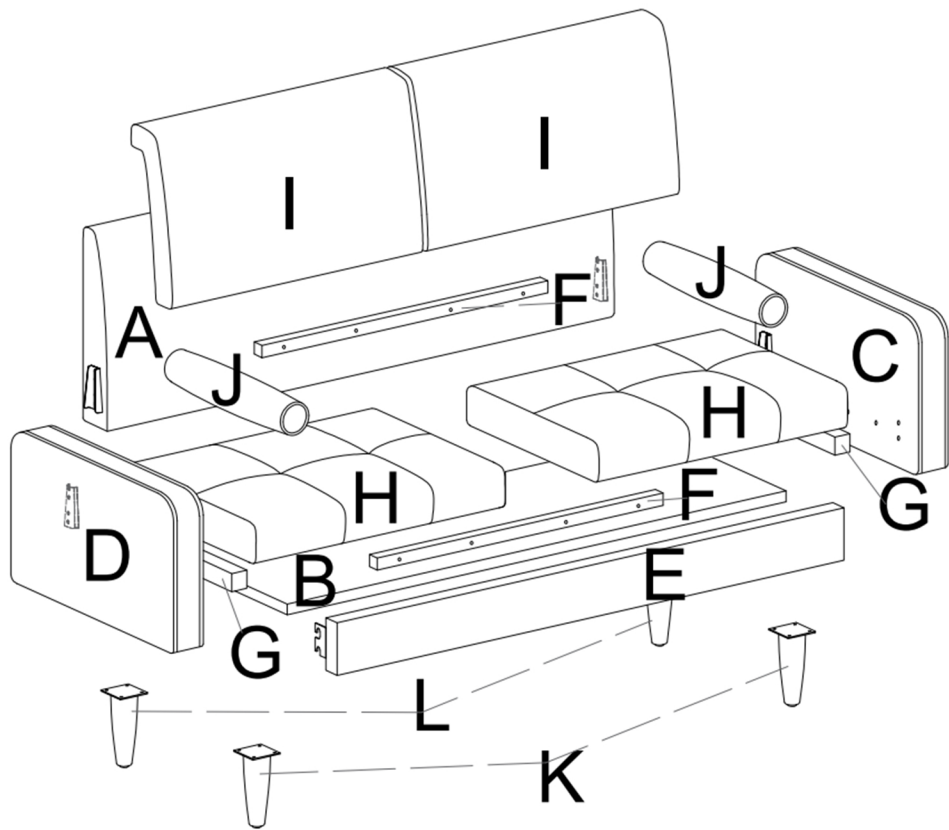
Sturdy legs made of solid wood ensure exceptional stability and strength, complete with non-slip pads to protect your floors.

Two cylindrical bolster pillows sit neatly at both ends, offering extra arm support and adding a tasteful decorative element.

EXPLODED VIEW

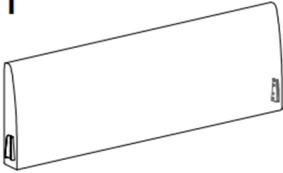


The product's left and right are determined by sitting posture



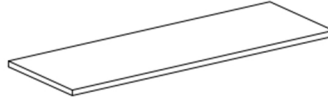
PARTS

A*1



Backrest

B*1



Seat frame

C*1



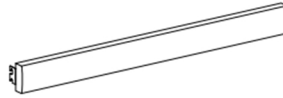
Left armrest

D*1



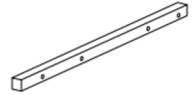
Right armrest

E*1



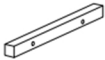
Front rail

F*2



Back and Front rail bar

G*2



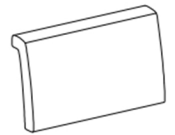
Side rail bar

H*2



Seat cushion

I*2



Back cushion

J*2



Round throw pillow

K*2



Front Legs

L*2



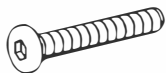
Rear Legs

HARDWARE

TOOL LIST

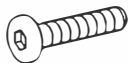
NOTE: Designated with (★) We provide additional spare parts in the hardware package

①*12



★ M6*40MM
Bolt

②*20



★ M6*20MM
Bolt

④*12



★ Flat washer

⑤*1



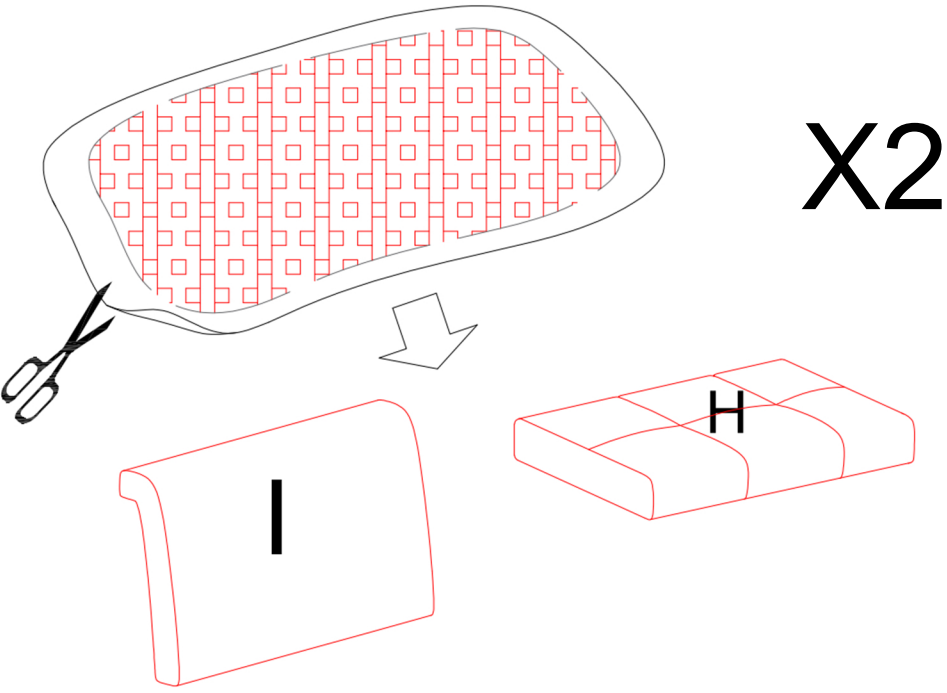
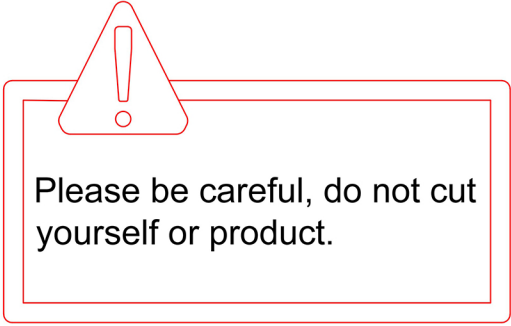
★ Allen key

Please make sure all hardware & packing material fitting the list. Especially some small accessories may be missing during transportation. Please contact us if you have any question.

step 1

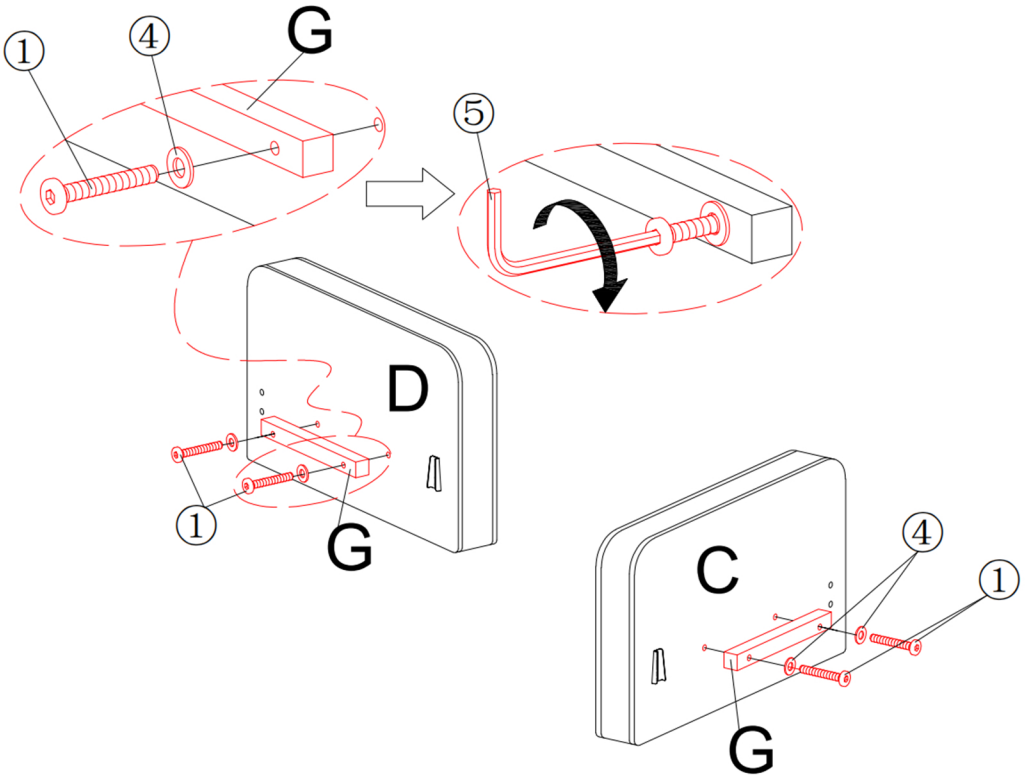
Take out the back cushions (I)&seat cushion(H) out of the air compression bags, please allow them to be fully recovered.

Notice: the recovery process might take up to 24 hours, you may gently slap on them to speed up the process.



step 2

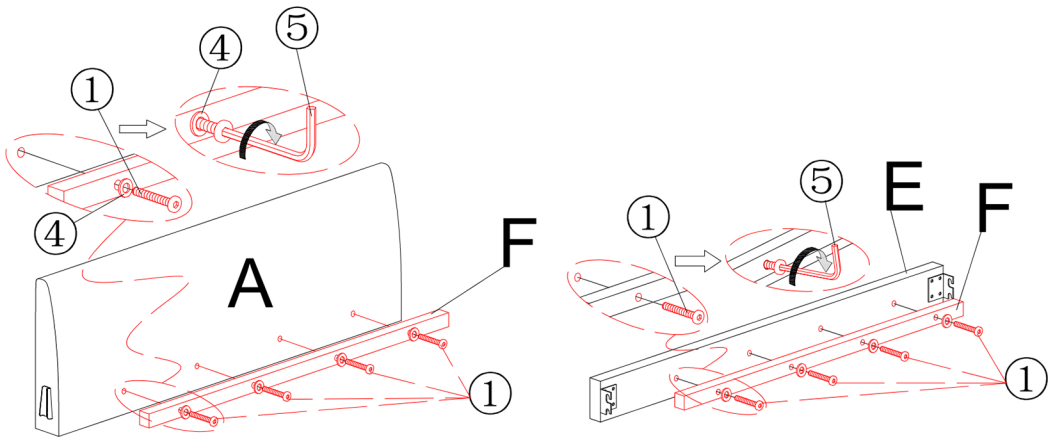
Install the side rail bars (G) onto both of the armrests (D) and (C) as shown, using the allen wrench (5) provided to tighten the bolts and washers (1 & 4). Make sure all the bolts are fully tightened before next step.



* You may place a rug or some covers underneath the seatframe, in order to protect your floor and the product.

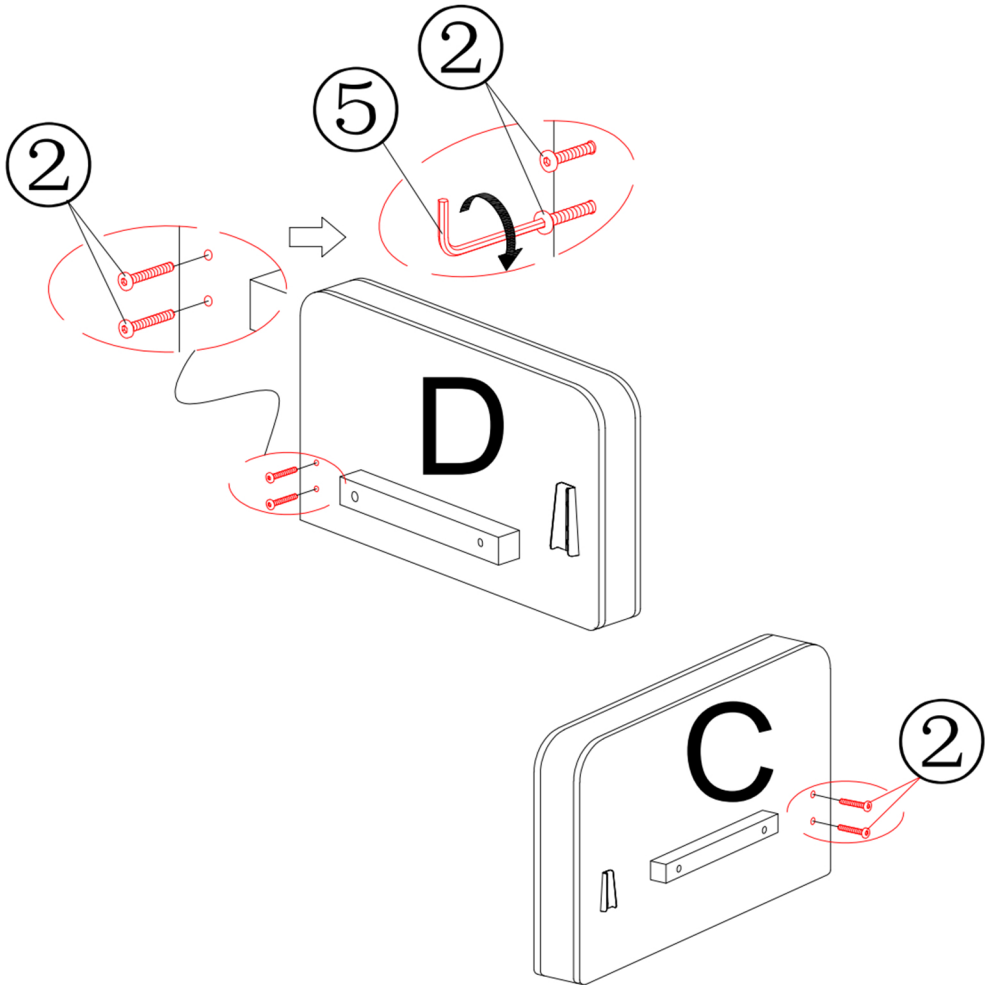
step 3

Install the back rail bar (F) onto the backrest (A) by using the allen wrench (5) provided to tighten the bolts (1). Then install the front rail bar (F) onto the front rail (E), use the allen wrench (5) provided to tighten all the bolts (1), make sure all the bolts are fully tightened before next step.



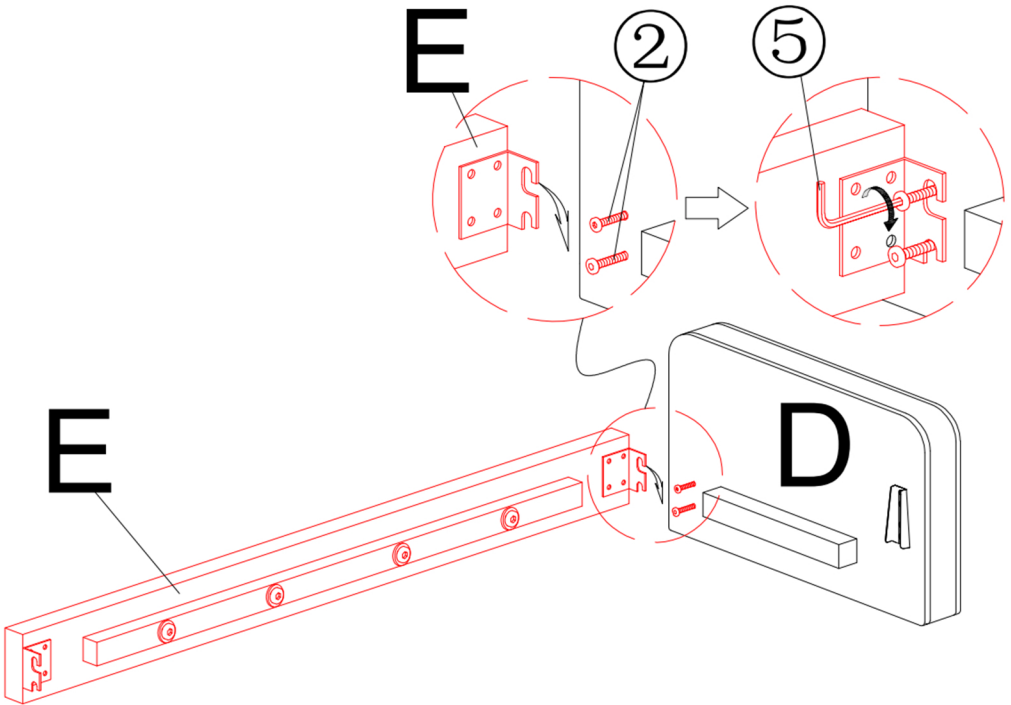
step 4

Fixing two bolts on each armrest (D & C) for 1/3 of their length, do not fully tightened the bolts.



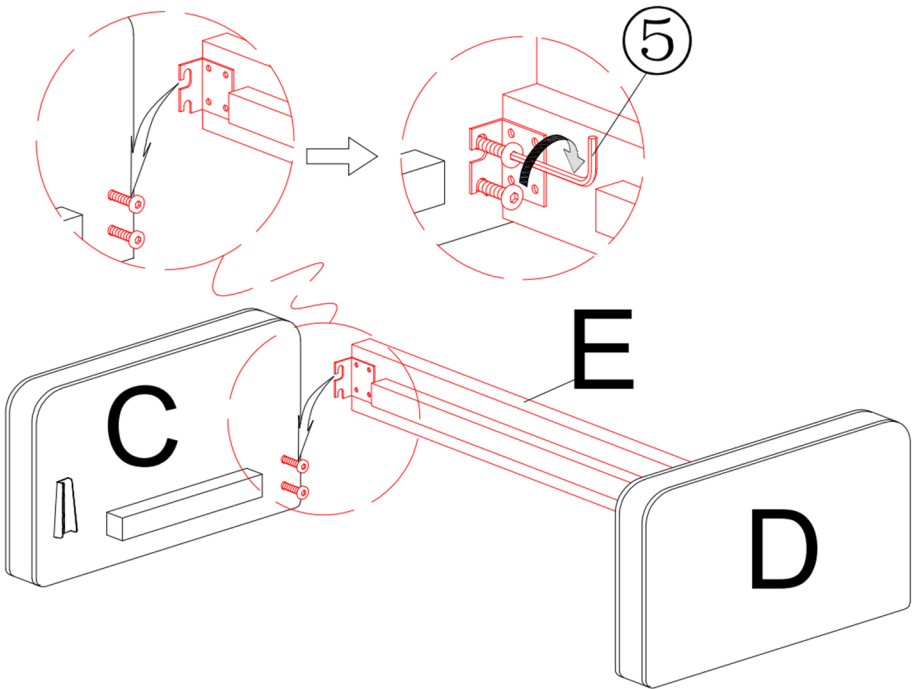
step 5

Connect the front rail bar (E) with the right armrest (D) by placing the bolts (2) on armrests from previous step into the slots on the rail bar as shown, then tighten the bolts using the allen wrench (5) provided. Make sure both bolts are aligned into the correct position before tighten.



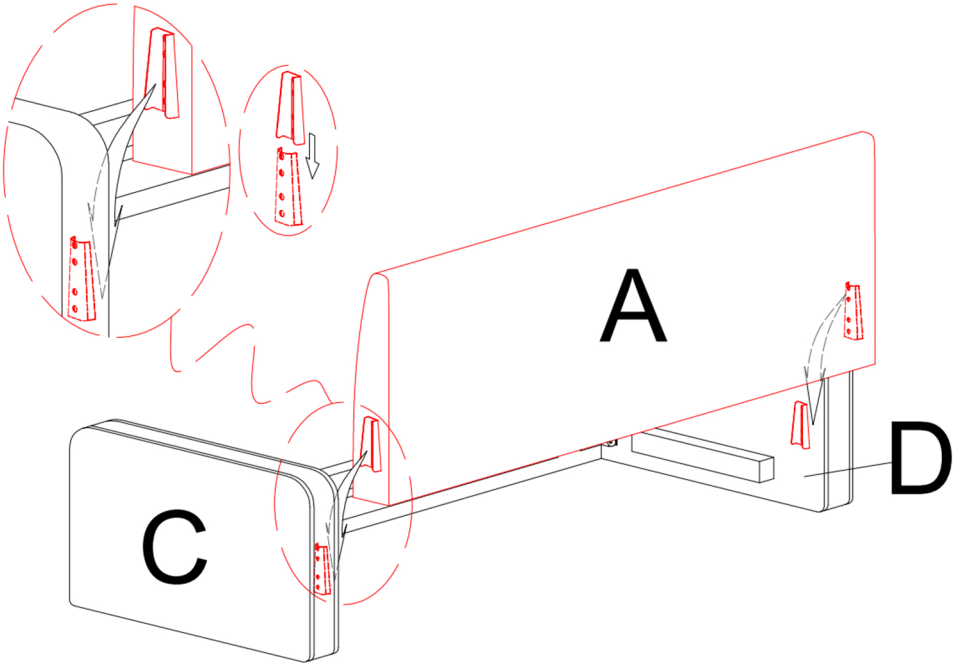
step 6

Connect the left armrest (C) with the front rail bar (E) by inserting the bolts (2) on the armrest from step 4 into the slots on rail bar as shown, then using the allen wrench (5) provided to tighten the bolts. Make sure both bolts are aligned at correct position before tighten.



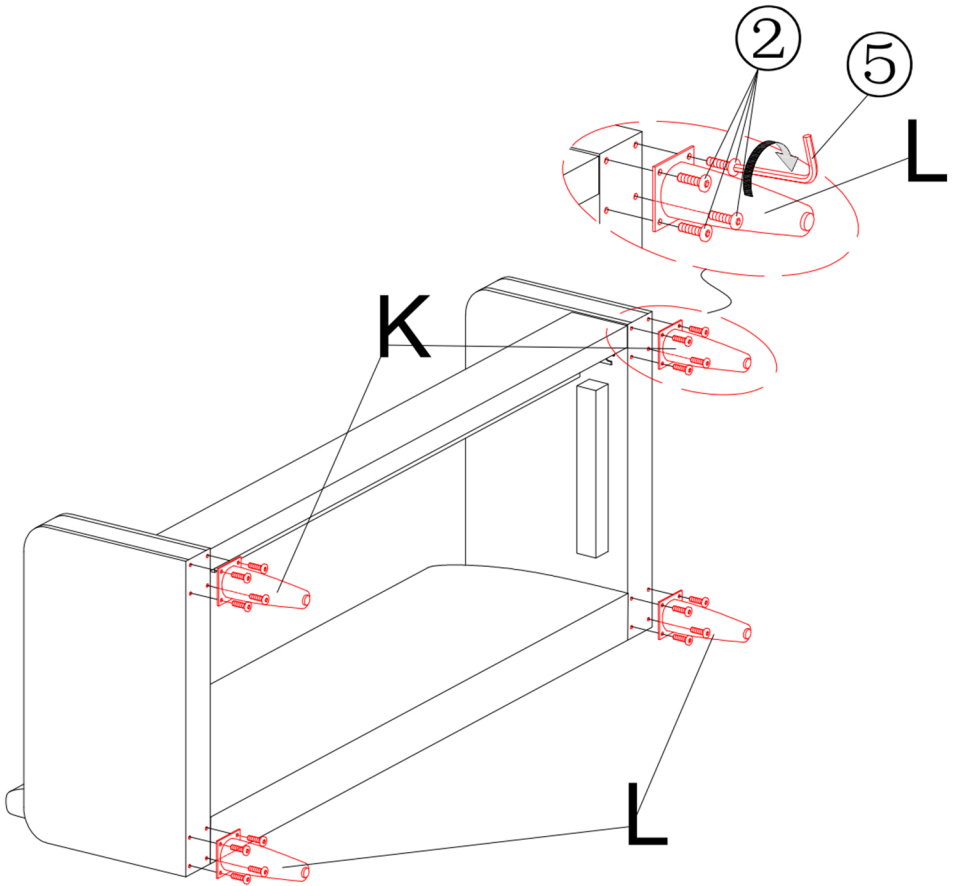
step 7

Install the backrest (A) by inserting the connectors on both sides into the slots on armrests as shown. Make sure both connectors are correctly aligned before pushing down the backrest.



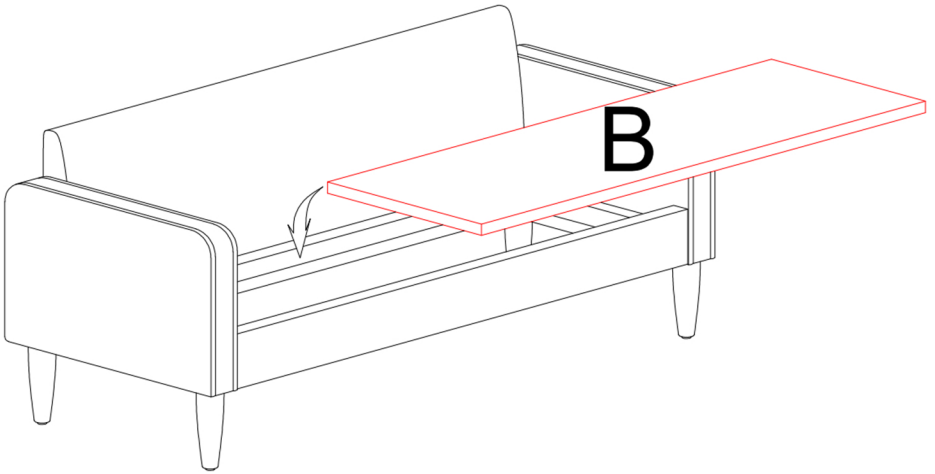
step 8

Install the front legs (K) and back legs (L) onto the seat frame as shown, using the allen wrench (5) provided to tighten the bolts (2), make sure all the bolts are fully tightened.



step 9

Place the front frame (B) onto the seat frame as shown, make sure it's aligned correctly.

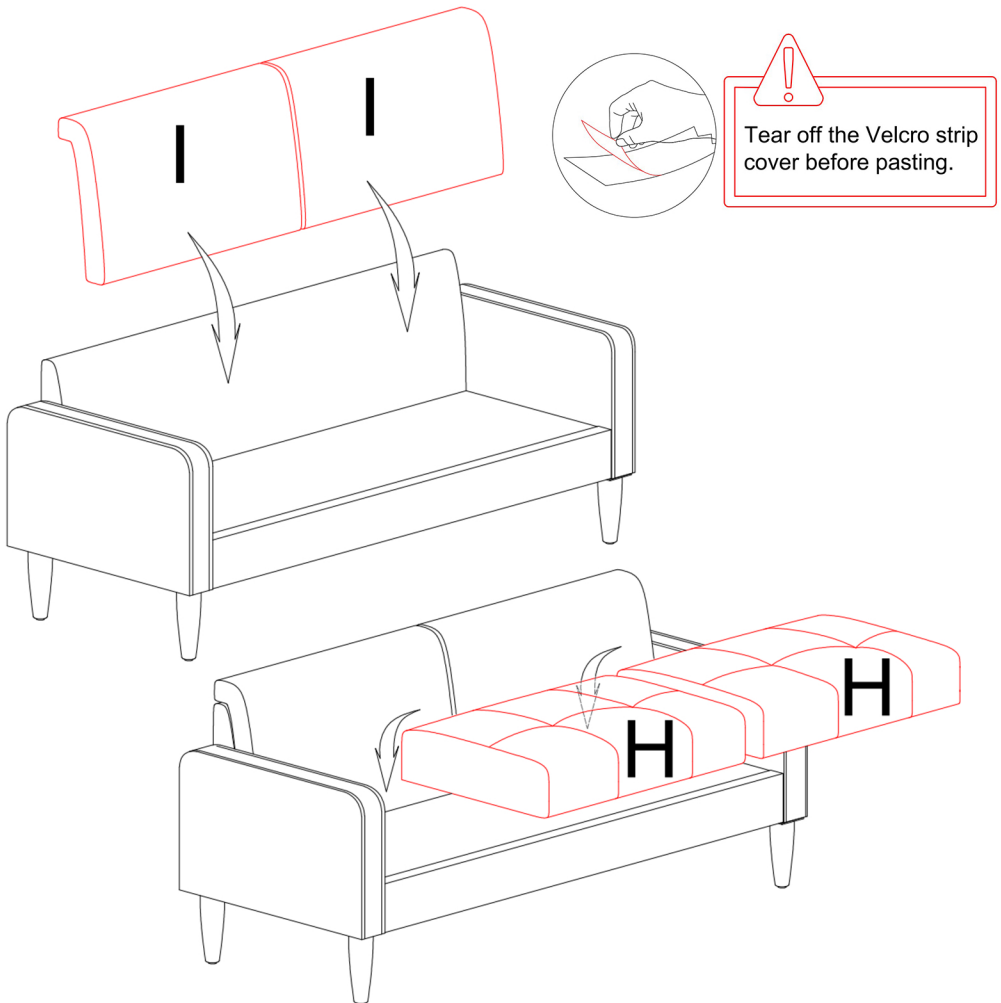


step 10

Tear off the Velcro strip covers under the seat and back cushions before pasting.

Place the back cushions (I) onto the seat frame as shown.

Place the seat cushions (H) onto the seat frame as shown.



step 11

Place the armrest cushions (J) onto the seat frame as shown.
The assembly is complete!

Please note: the legs of the chair can be adjusted by twisting the leveler on the tip of the legs as shown, it can help you use this chair on ground that is not flat, please check before you use the chair.

