

CARE AND MAINTENANCE

Always use felt pads under all articles to prevent discoloration or softening of the lacquer. Plastic and rubber bases on items can discolor wood. Wipe up spills immediately and avoid common hazards such as hot dishes, harsh solvents and abrasives. Cleaning should be done with a soft lint free cotton cloth dampened with water or furniture polish. On highly used surfaces we recommend applying a quality paste wax which should be used on a regular basis to provide additional protection from scratches and spills. How often you apply the wax depends on how much wear the furniture receives.


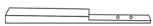













NOTICE

* Please make sure that you have all parts indicated before you begin assembly of this item

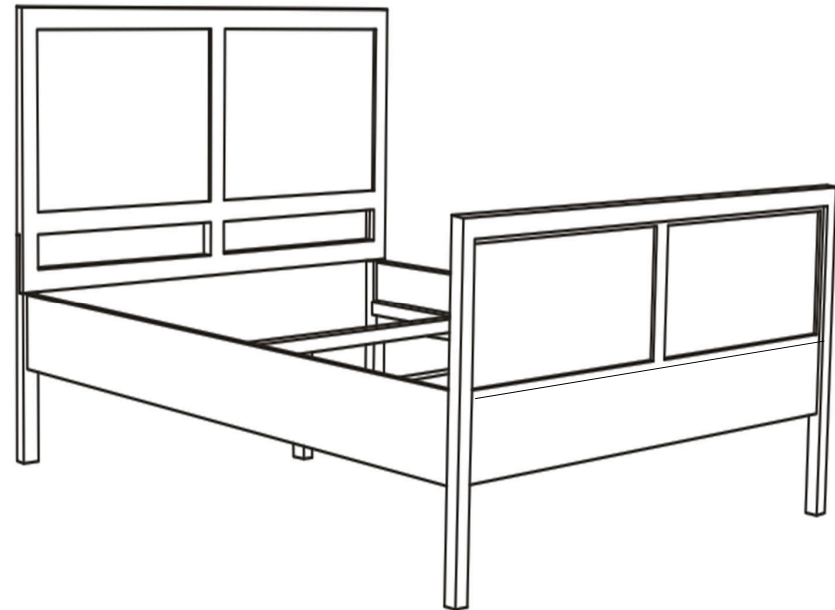
* This item should be assembled on a soft surface to prevent scratching the finish during assembly

* This item may require periodic tightening

Part List and Hardware List

PIECE	DESCRIPTION	PICTURE	QUANTITY
A	HEADBOARD		1X
B	WOODEN LEG		2X
C	BOLT 8X30		4X
D	WASHER M8		4X
E	RING M8		4X
F	BOLT 8X60		4X
G	WASHER M8		4X
H	RING M8		4X
I	ALLEN KEY		1X
J	SIDERAIL		2X
K	FOOTBOARD		1X
L	SLATS		2X
M	SUPPORT LEGS		2X
N	SCREW 6X1 1/4		4X
O	WRENCH		1X

Product Dimensions : 63"W x 84"D x 47"H

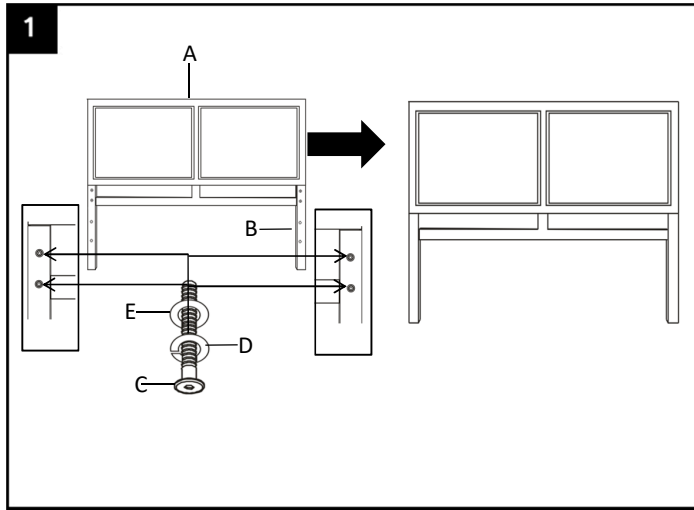


PREPARATION

Before beginning assembly of product, make sure all parts are present. Compare parts with package contents list and hardware contents list.

If any part is missing or damaged, do not attempt to assemble the product.

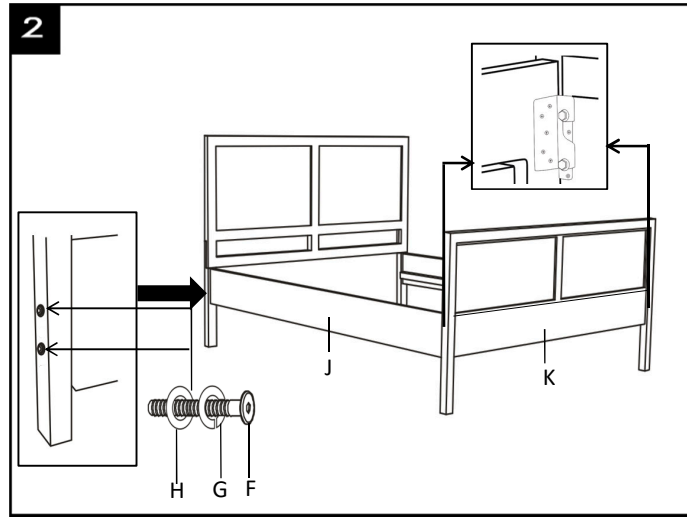
Estimated Assembly Time: 10 minutes.



Step 1

The hardware needed to connect the legs (B) to the headboard (A) are bolt (C), and ring (D)

Attach the two legs (B) to the headboard (A) using 4 bolts (C), and 4 rings. Others 4 bolts, and rings are attached on the legs.

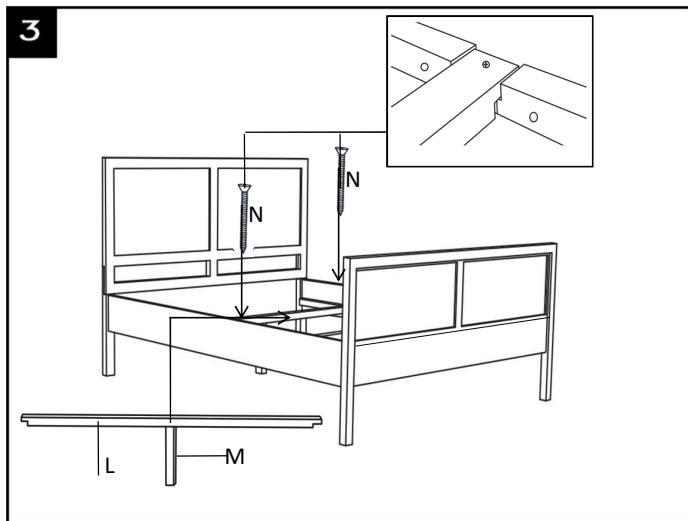


Step 2

Attach 2 siderails to the headboard (A) assembled with wooden legs (B) and the footboard (I)

Tightened the bolts in wooden legs using Allen Key.

Tightened the bolts in footboard corners using wrench.



Step 3

Attach 1 support legs (L) to each slats (M).

Attach slats to the siderails support.