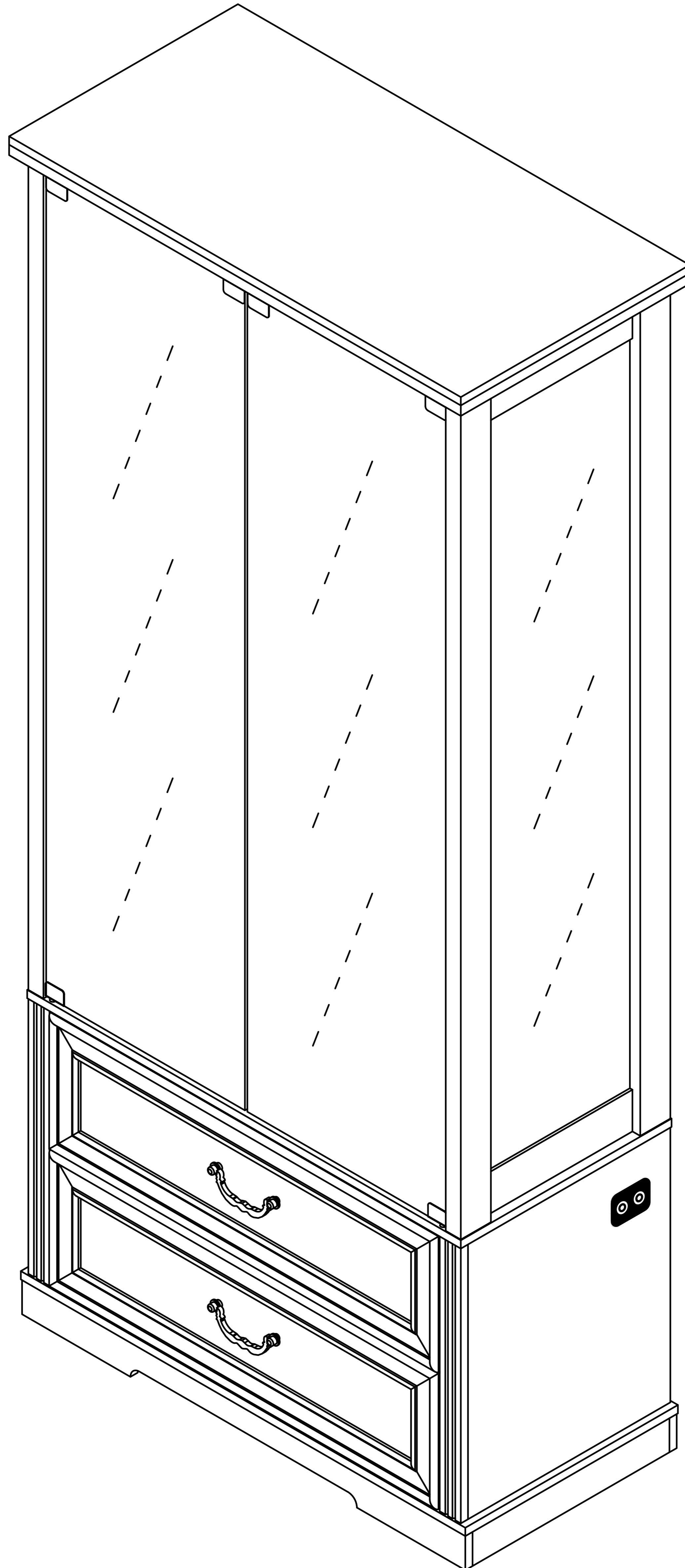
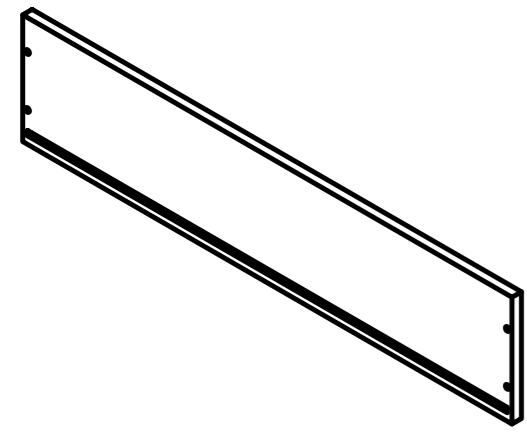
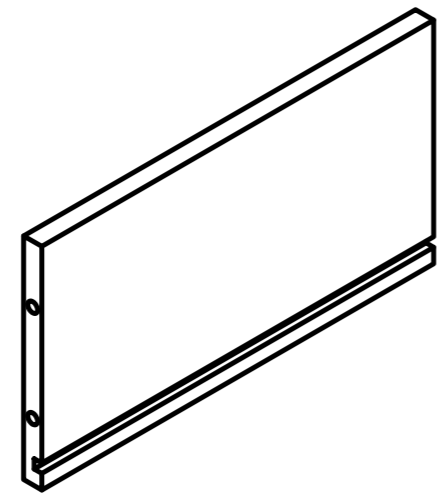


97047 Product Installation Instructions

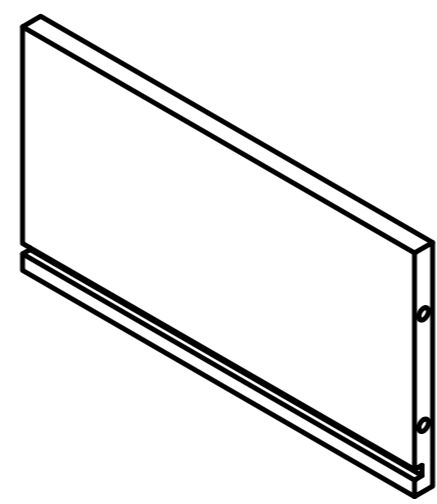




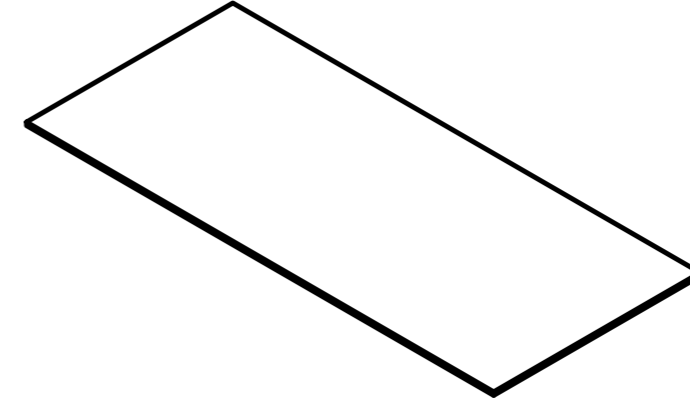
1x2



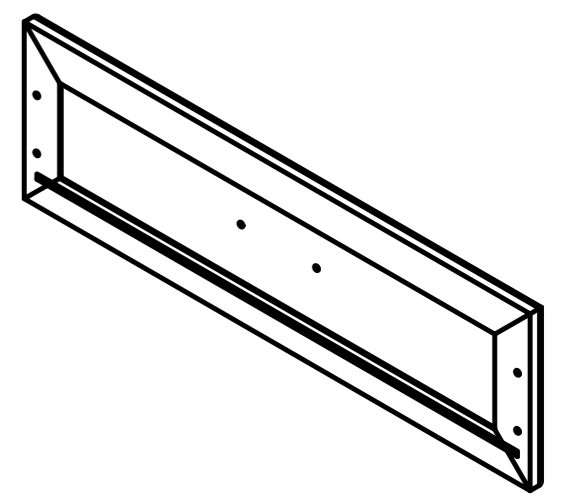
2x2



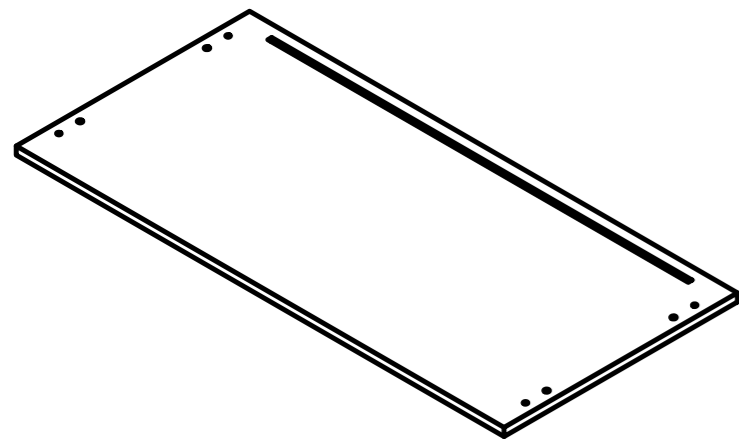
2Ax2



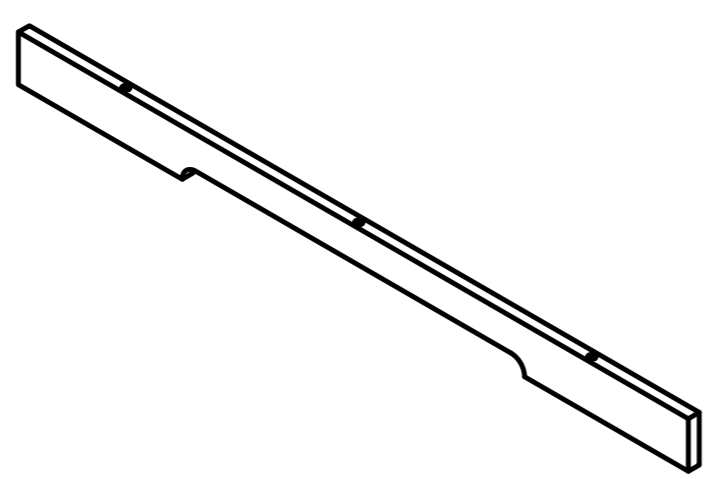
3x2



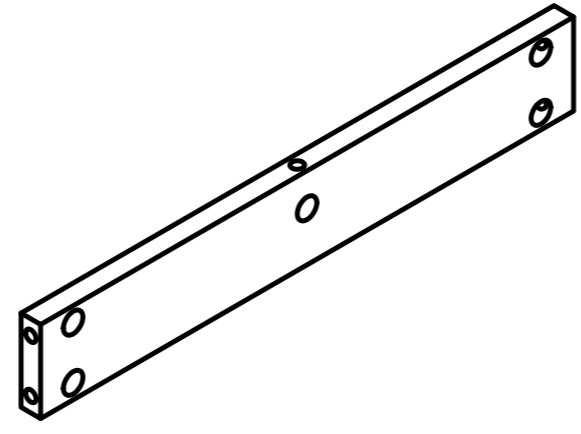
4x2



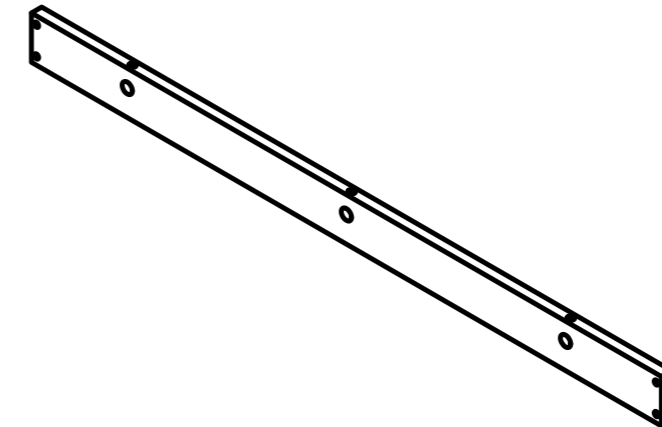
5x1



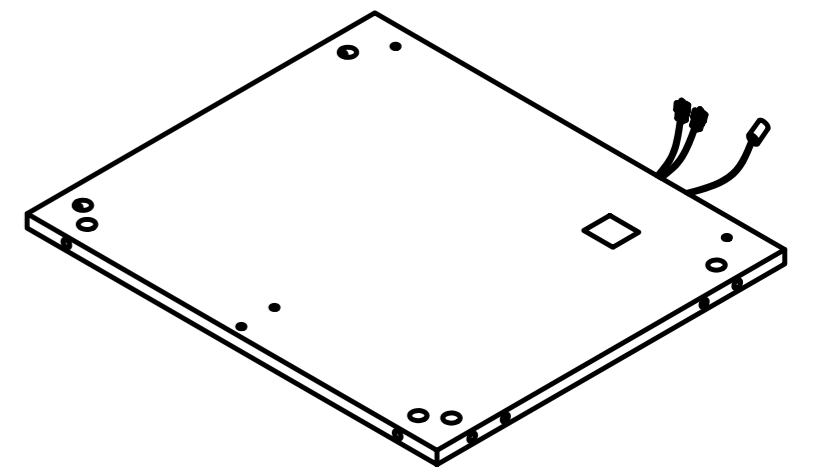
6x1



7x2



8x1



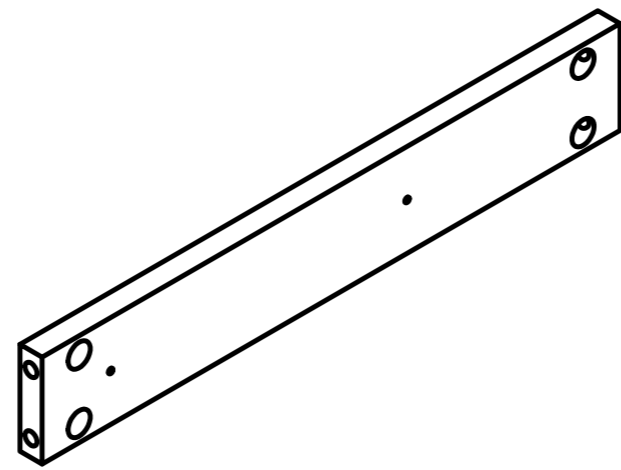
9x1



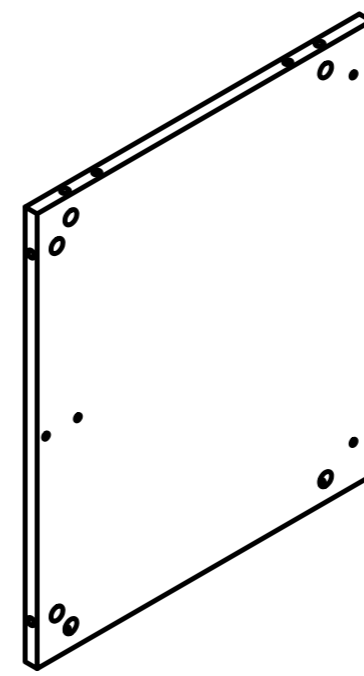
10x1



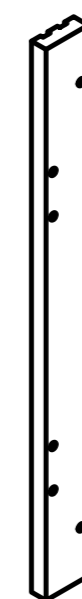
11x1



12x4



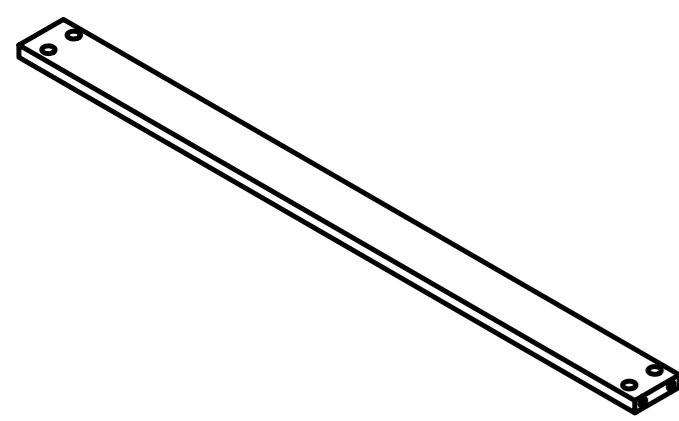
13x1



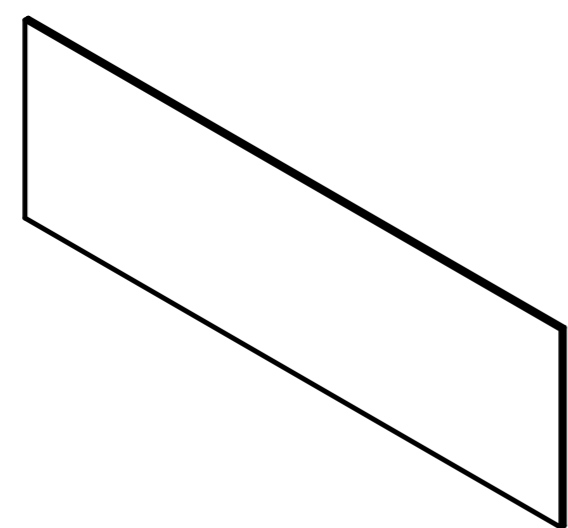
14x1



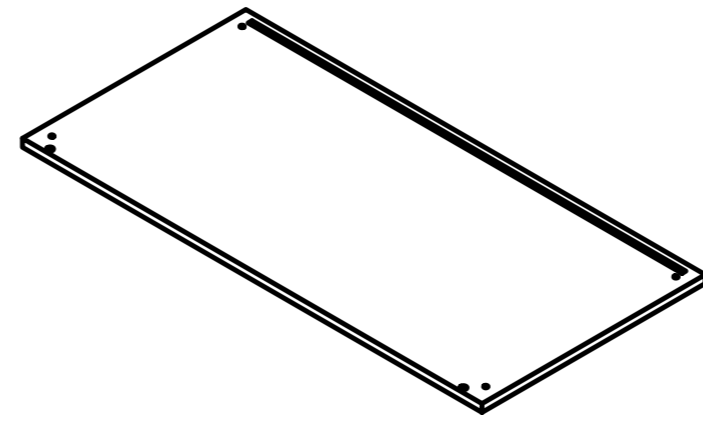
15x1



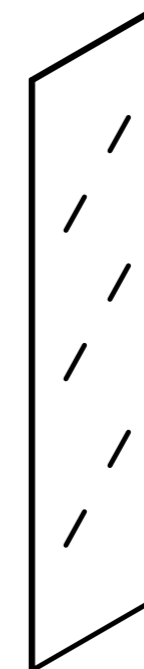
16x1



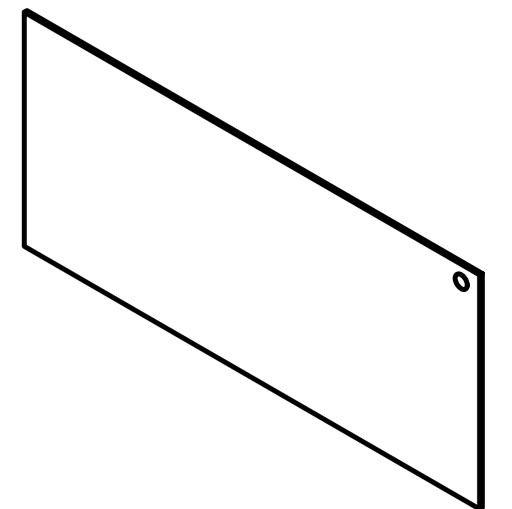
17x2



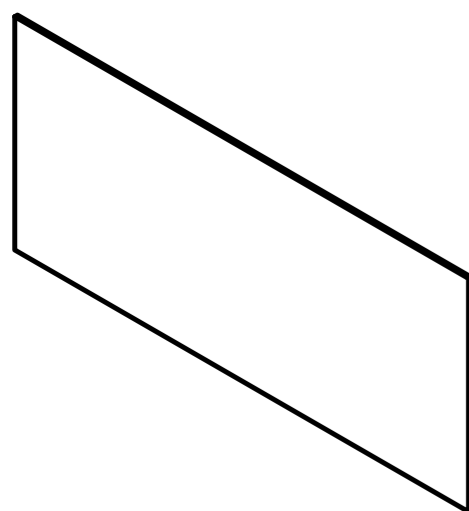
18x1



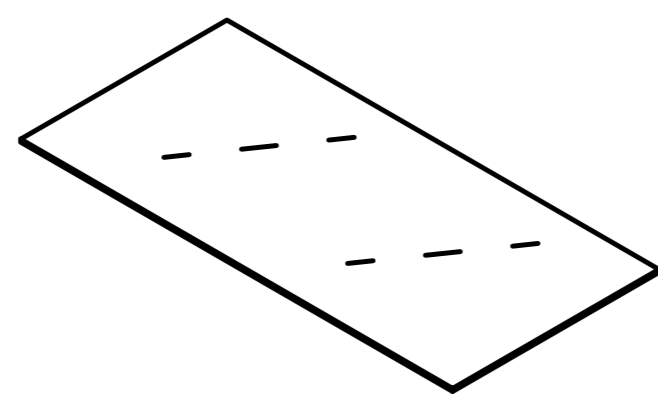
19x2



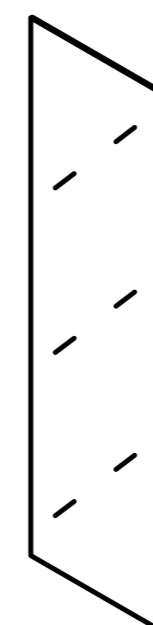
20x1



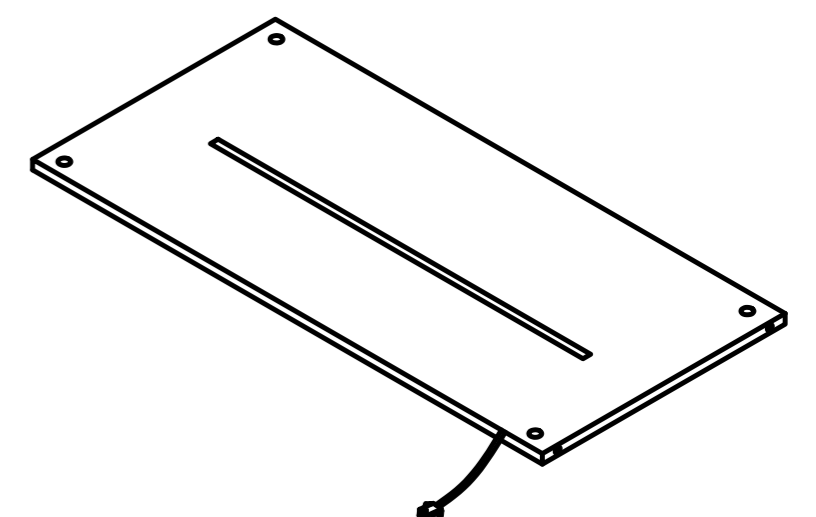
21x3



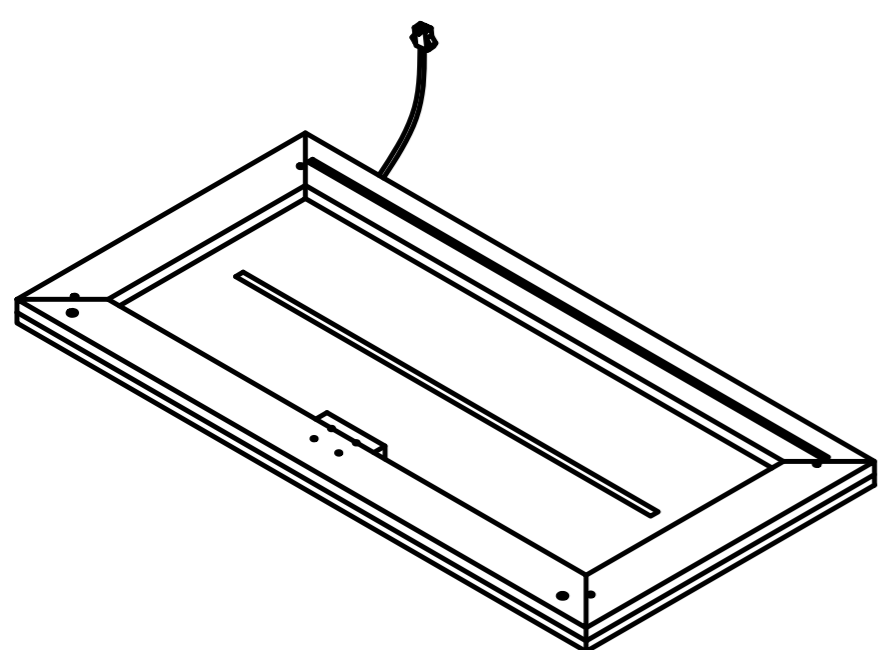
22x2



23x2



24x1



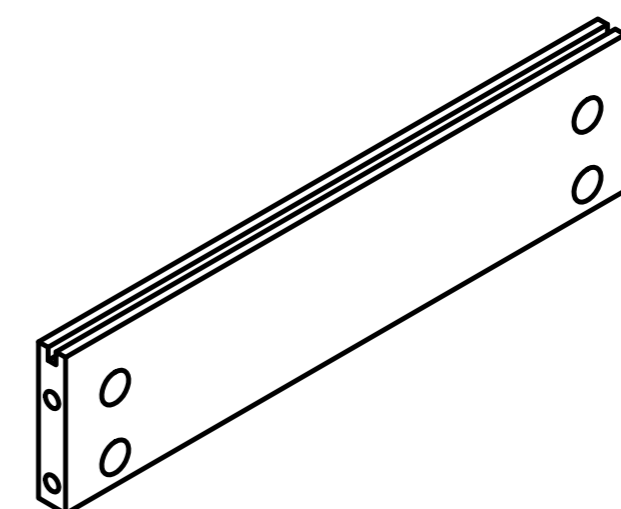
25x1



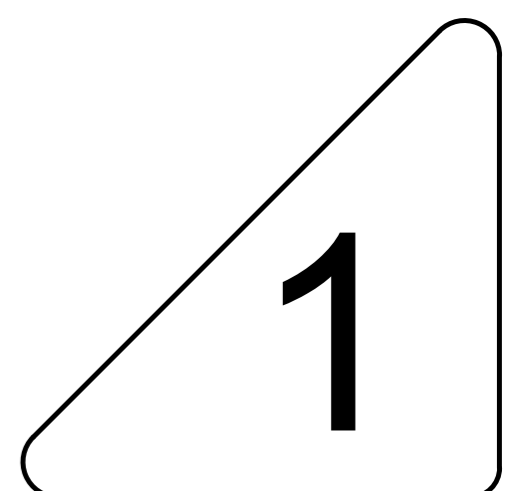
26x2



27x2

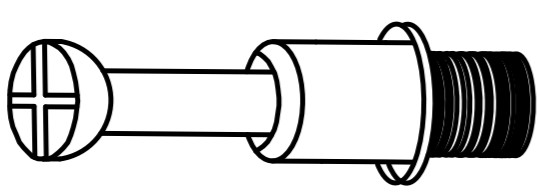
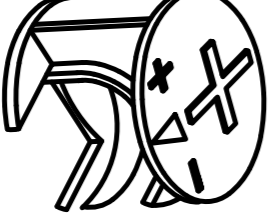
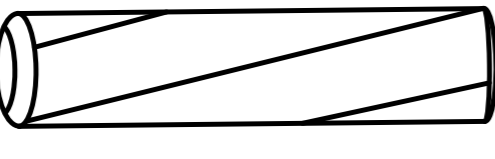
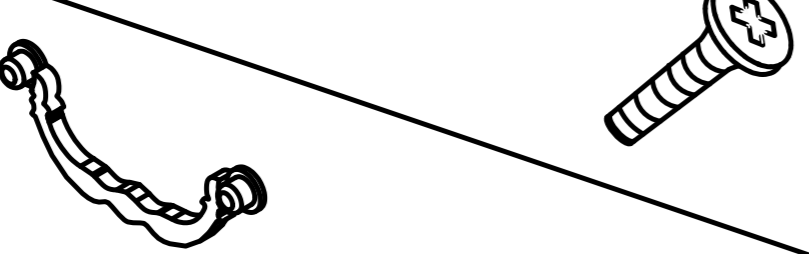
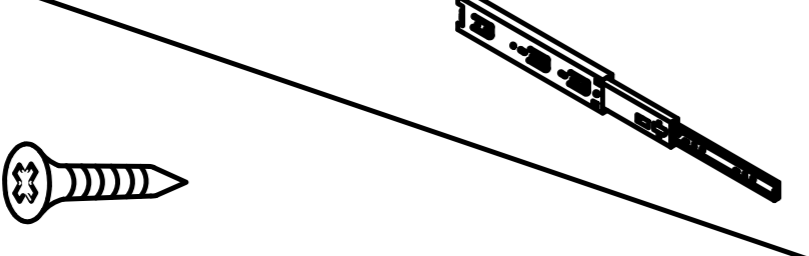

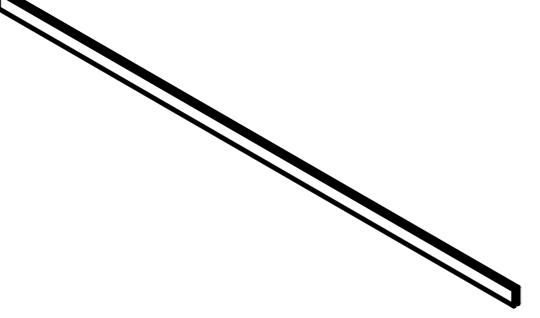
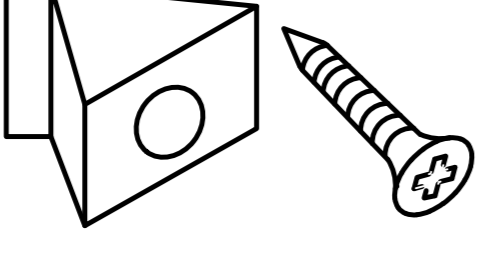
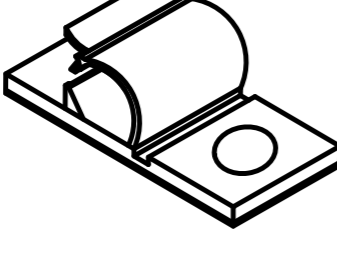
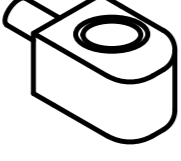
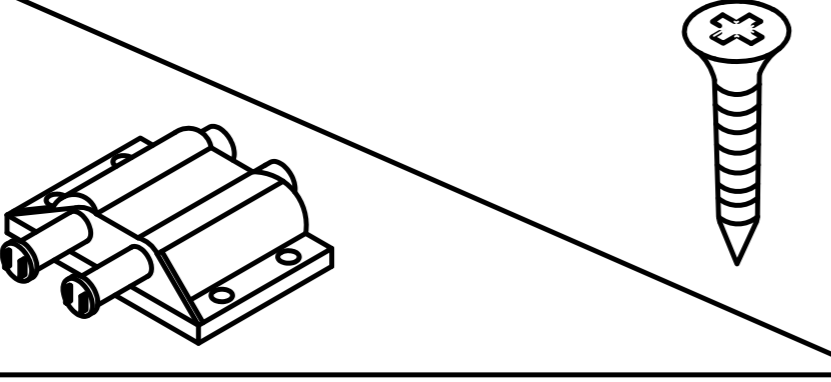
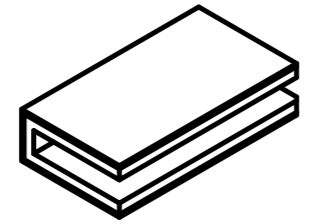
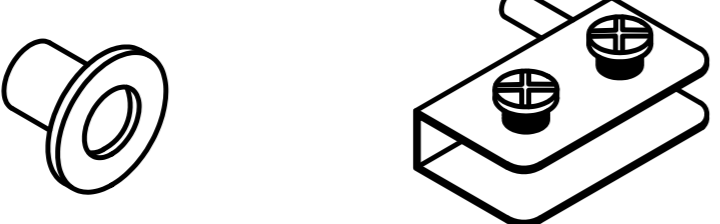
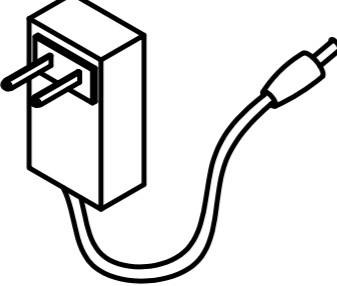
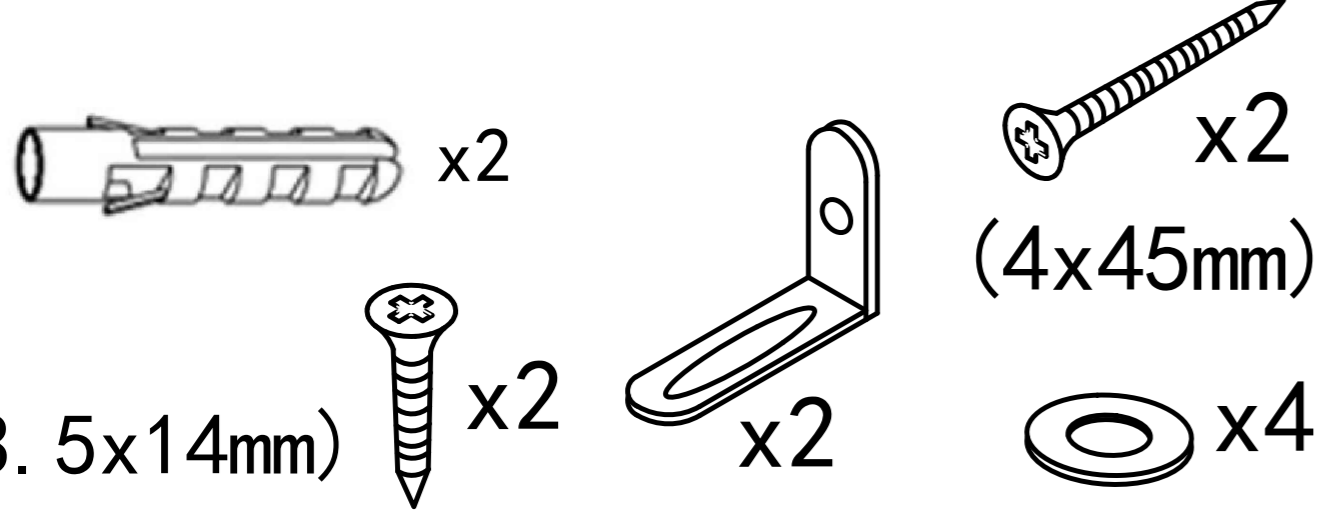
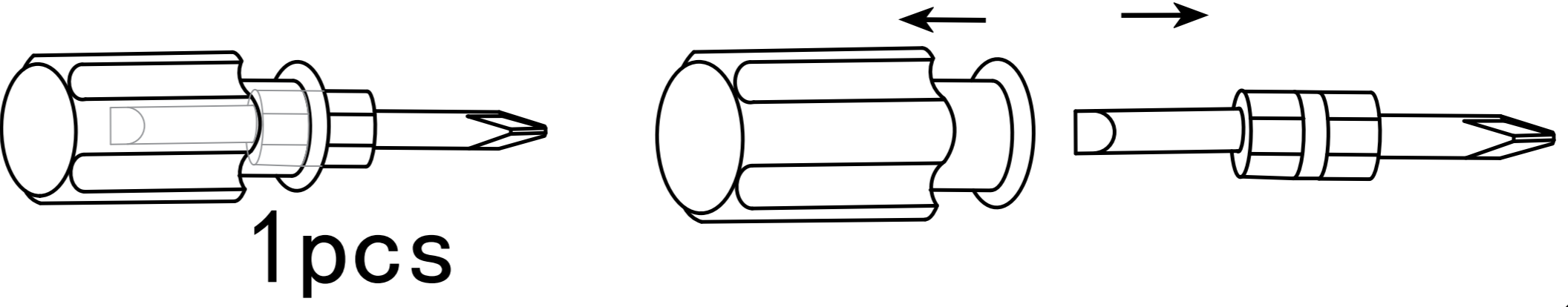


28x4

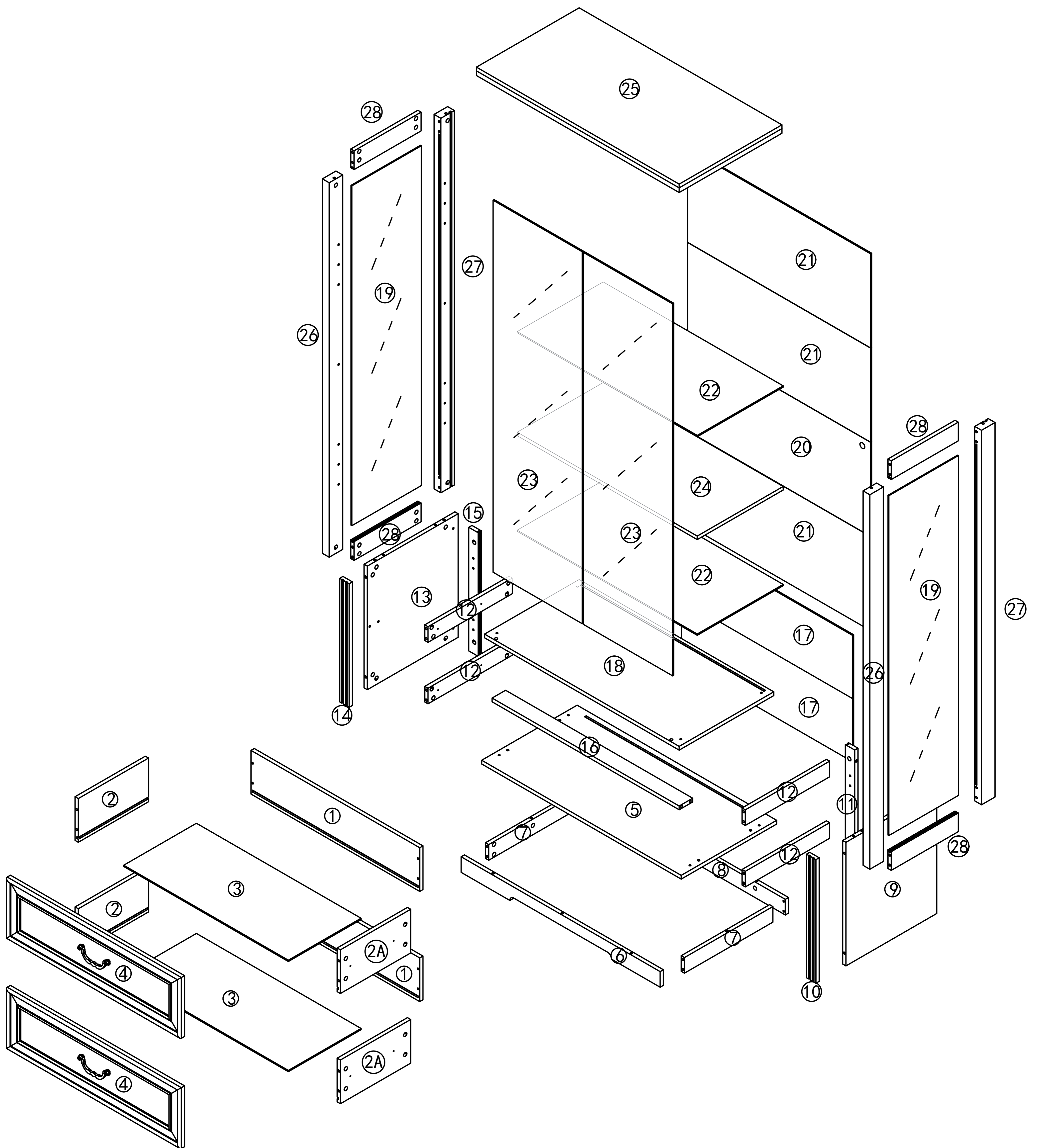


1

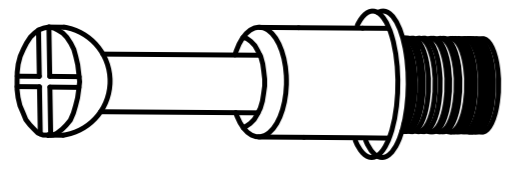
Accessories list

A		Two in one screw (6x28mm)	96pcs +4pcs
B		Two in one nut (10x12mm)	96pcs +4pcs
C		Wood chipping (6x30mm)	8pcs +2pcs
D		Handle & Screw (4x7mm)	4pcs +1pcs 2pcs
E		Screw & Guide(24CM) (3x12mm)	4pcs 20pcs +4pcs
F		Non-slip pads	4pcs +2pcs
G		Backboard card strip	2pcs
H		Fixing clip & screw (3x16mm)	20pcs +2pcs
I		Wire clamp	5pcs +1pcs
J		Laminate support nail	8pcs
K		Rebound device & Screw (3x16mm)	4pcs +1pcs 1pcs
		Iron sheet	2pcs
		Hinge	4pcs
		AC/DC Adapter (12V==2.0A)	1pcs
L	Anti Fall Hardware	Double-head screwdriver, use as required	
			

Product structure decomposition

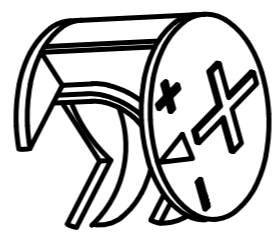


A



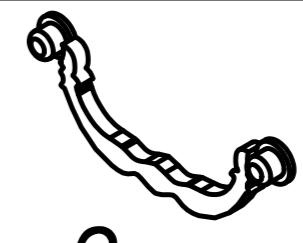
16pcs

B

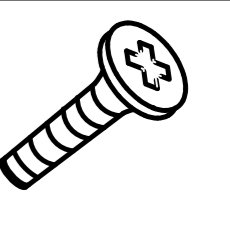


16pcs

D

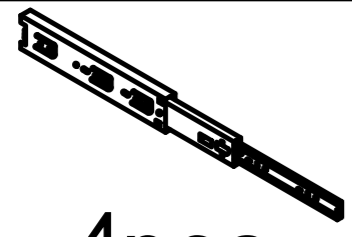


2pcs

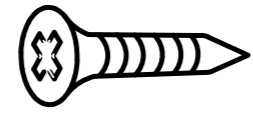


4pcs

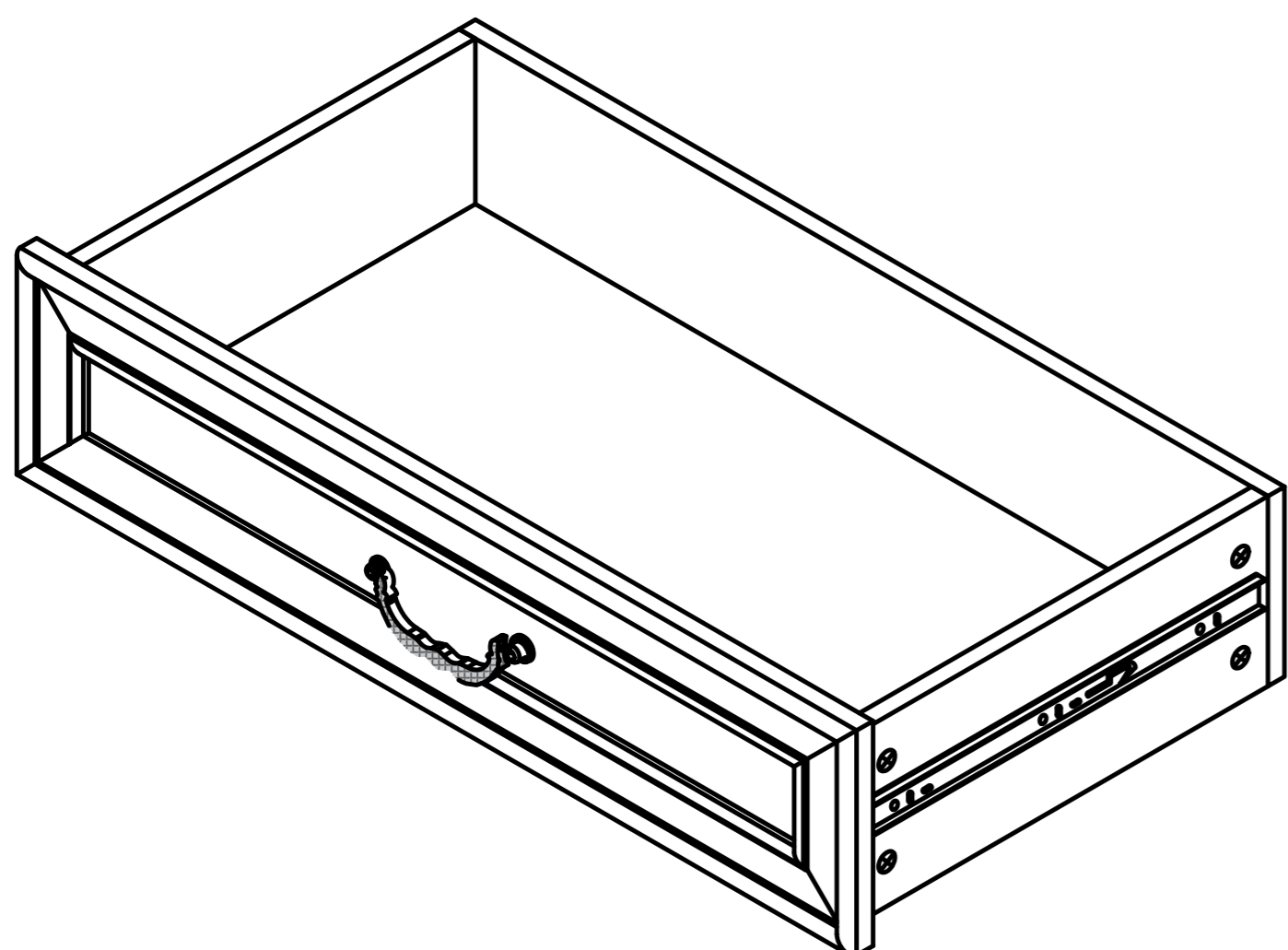
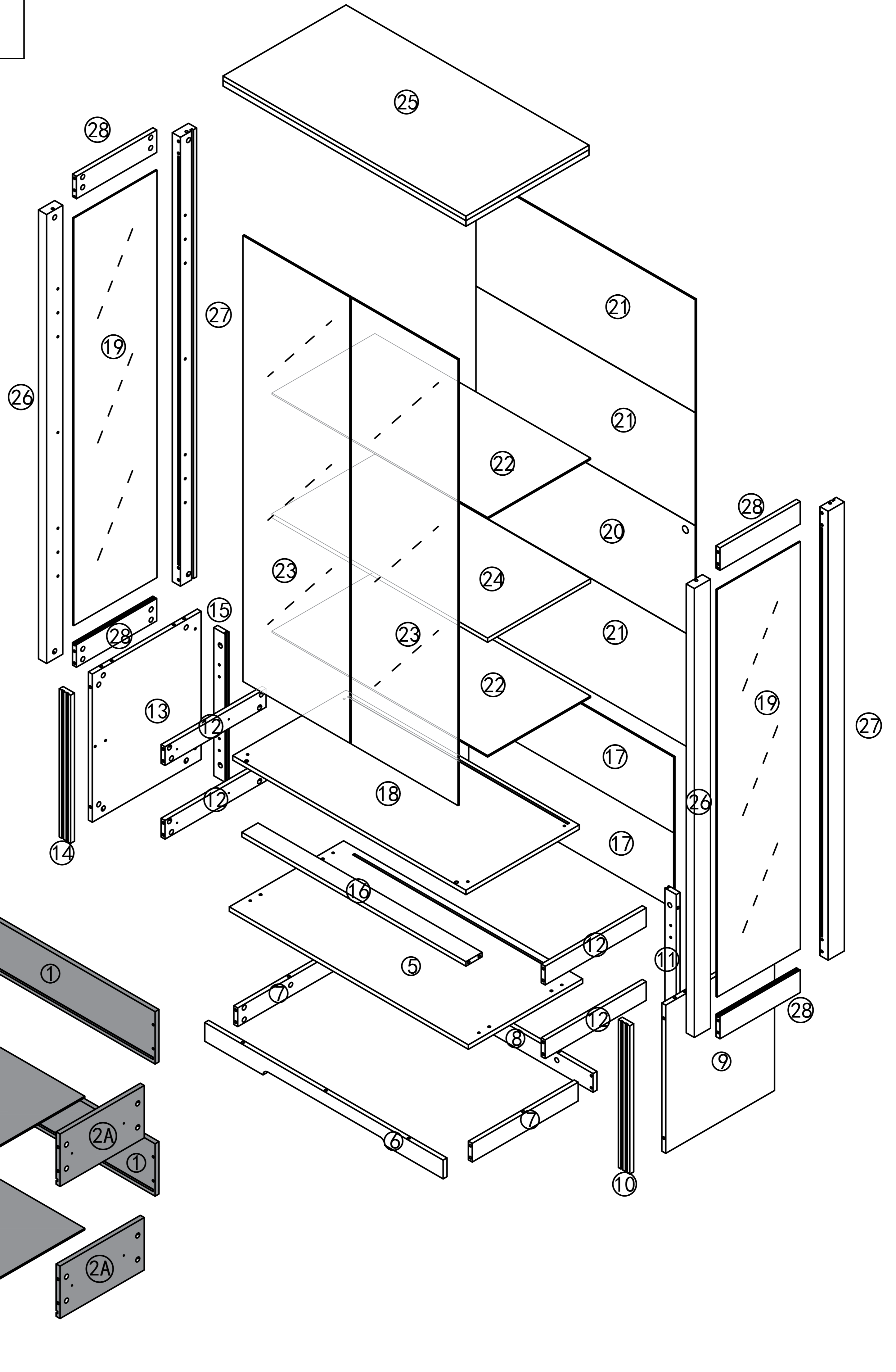
E



4pcs

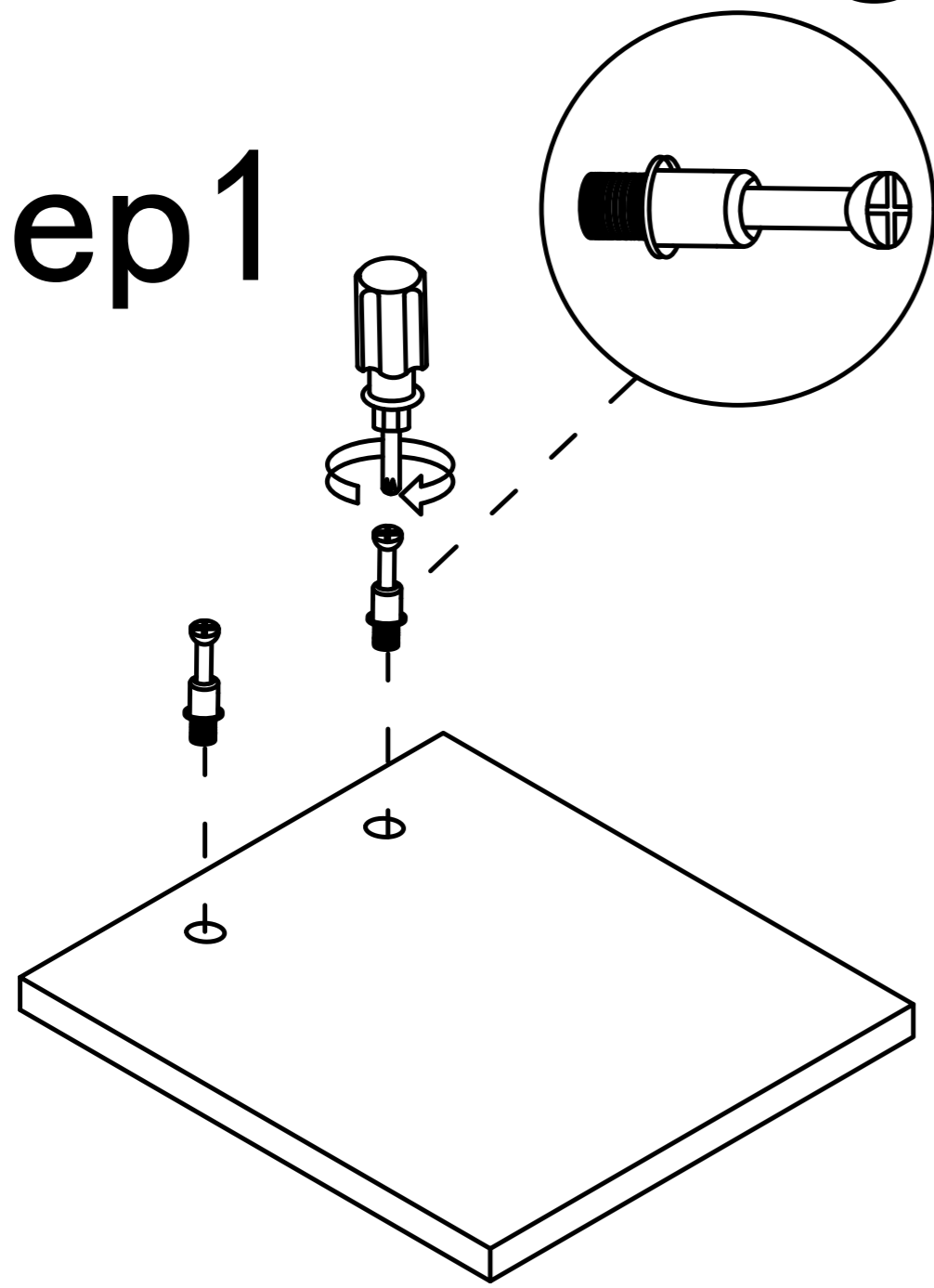


6pcs

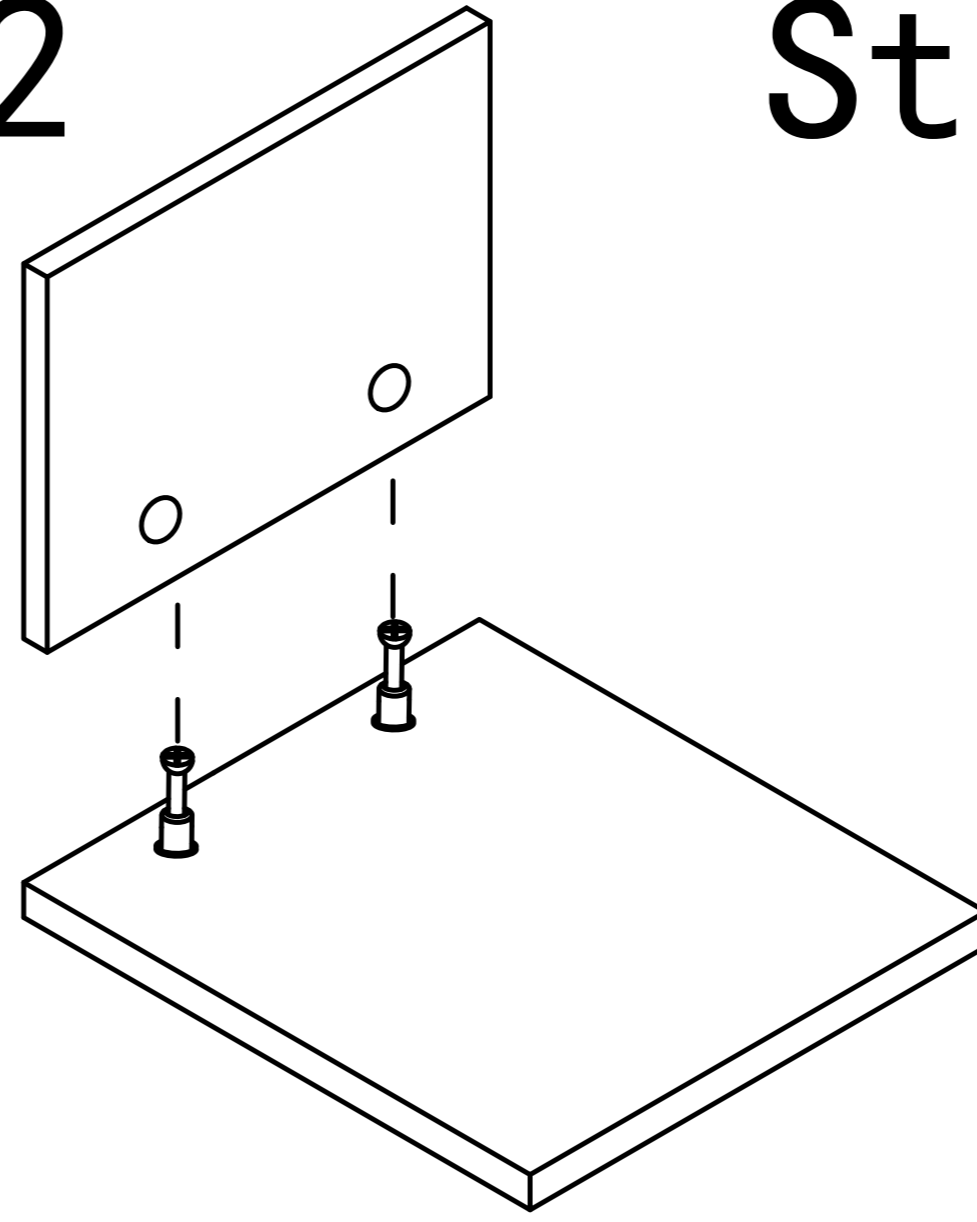


Use parts A and B

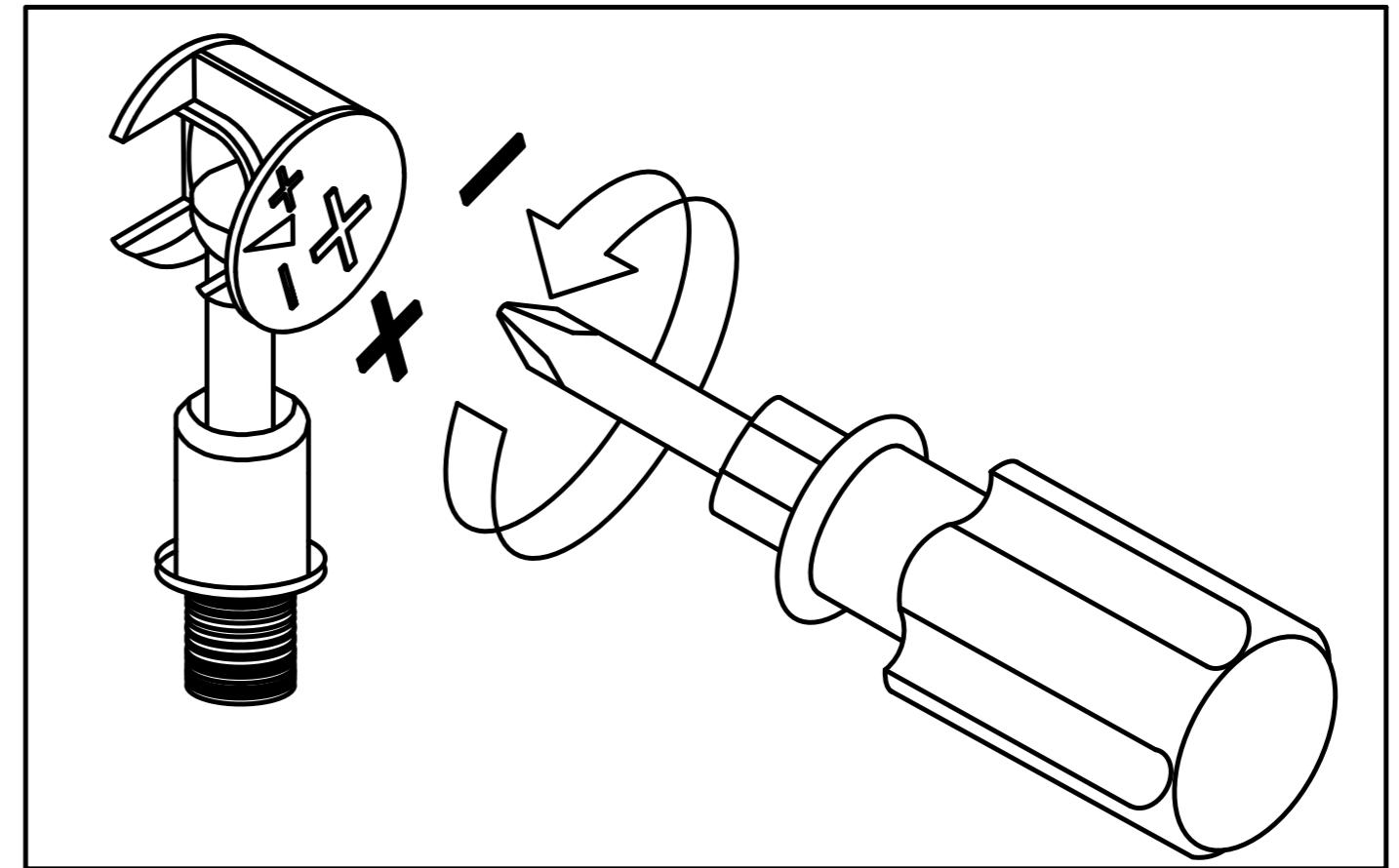
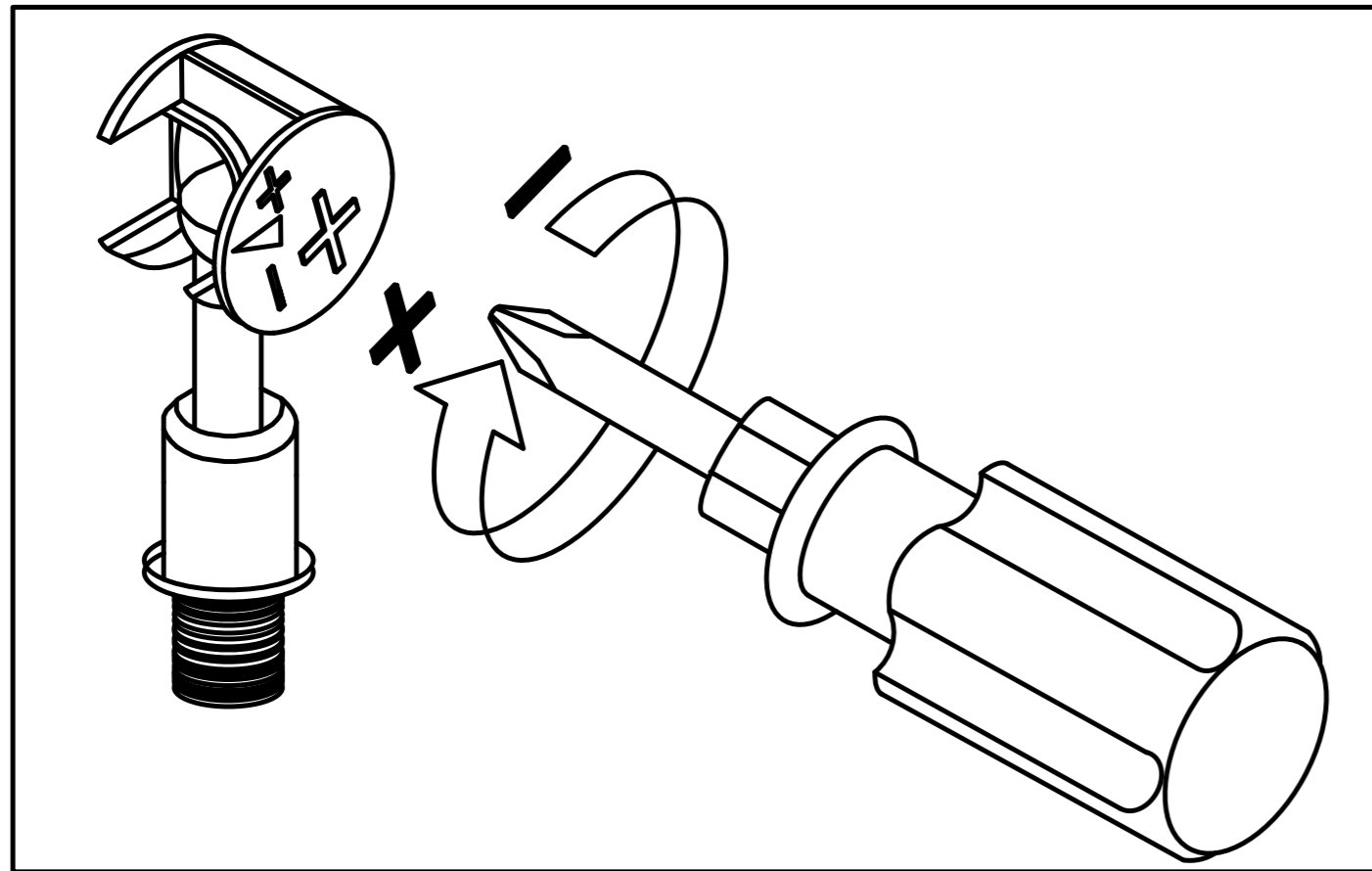
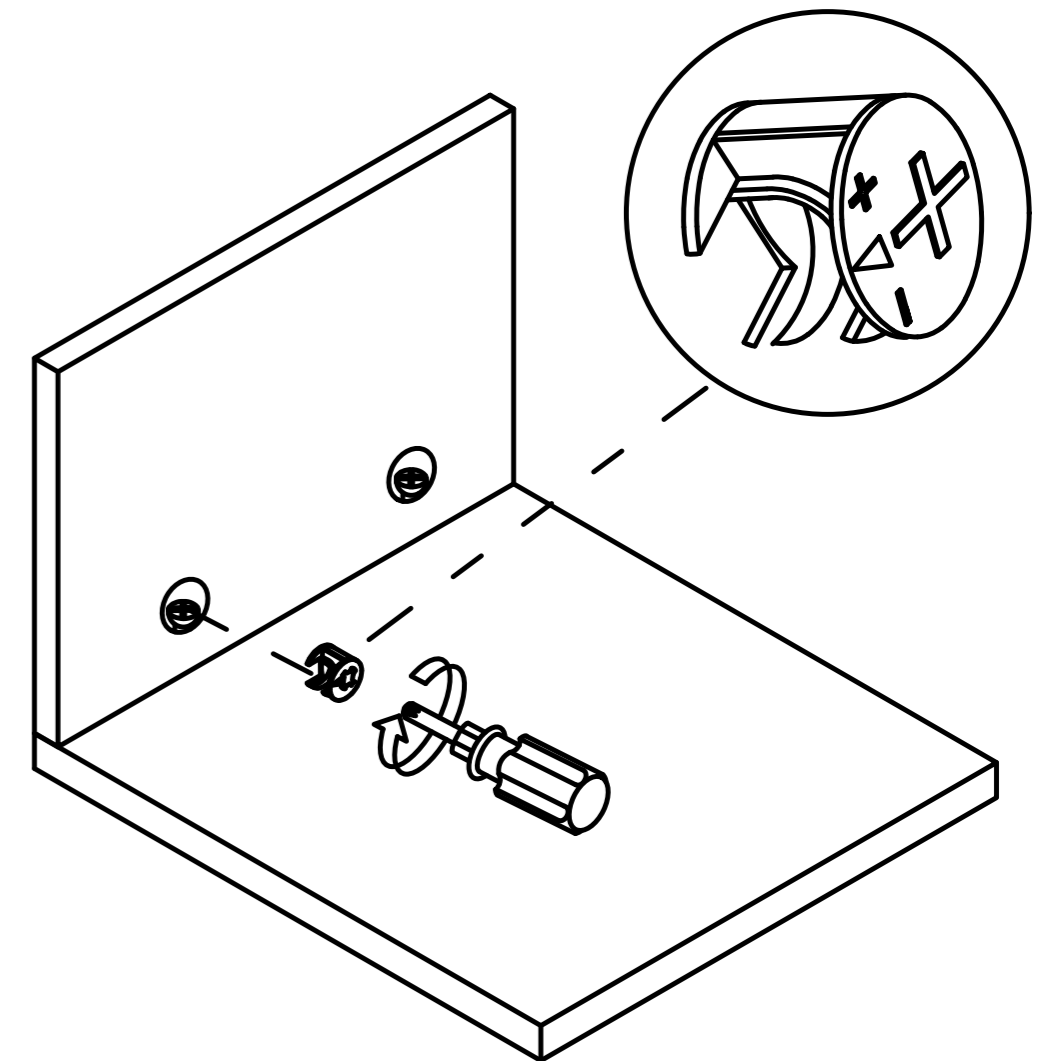
Step 1



Step 2



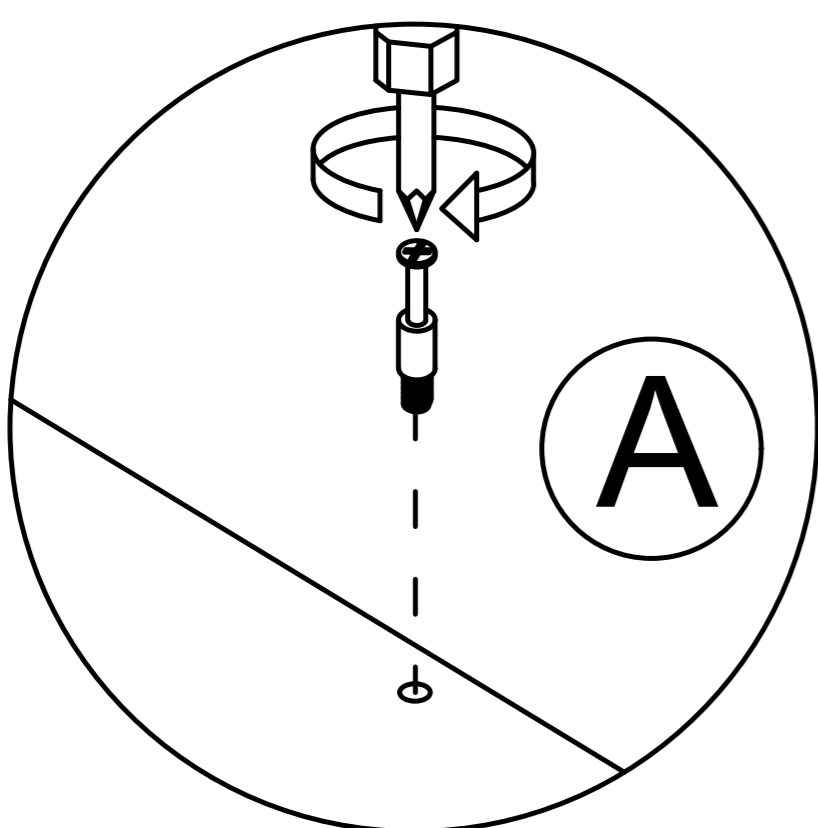
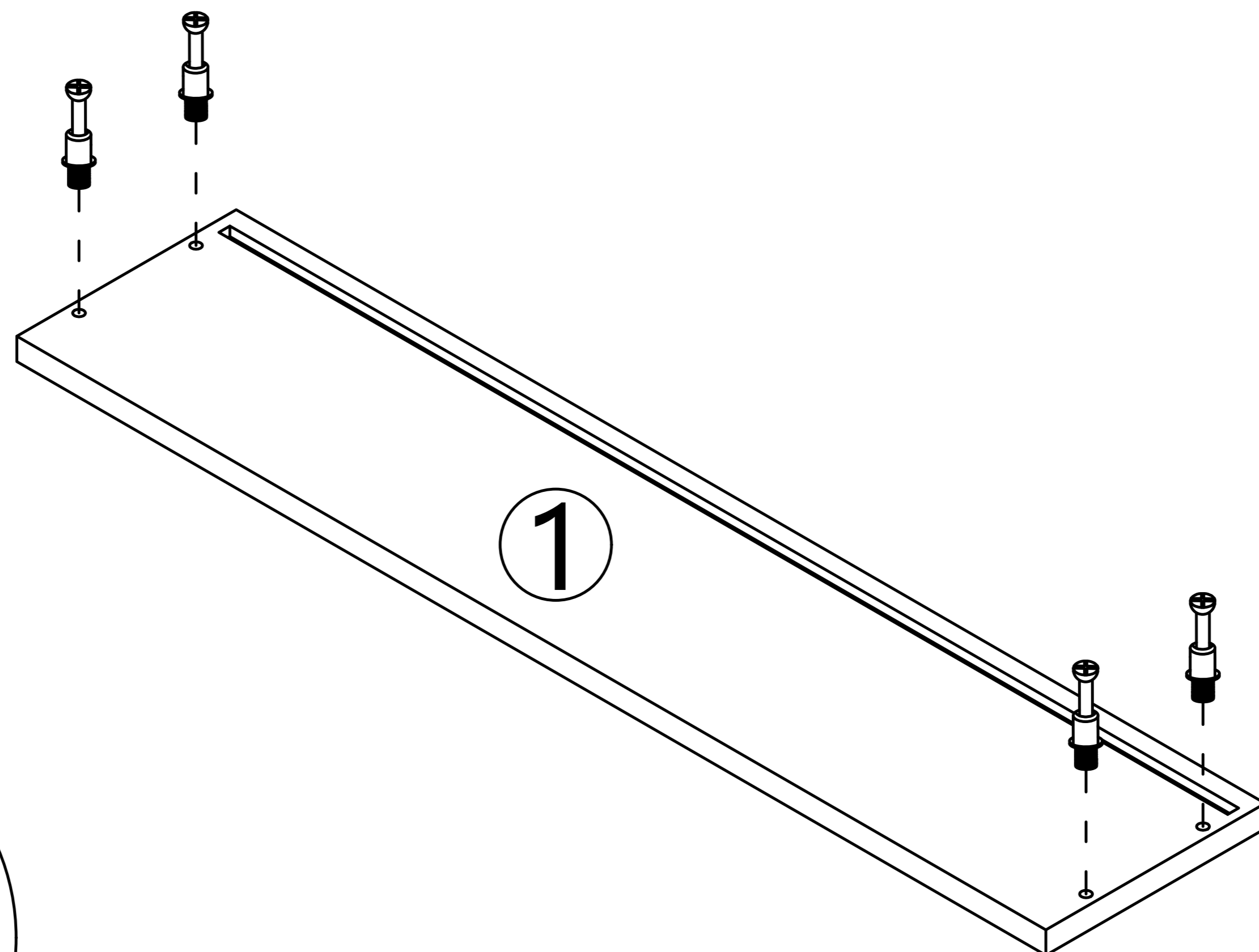
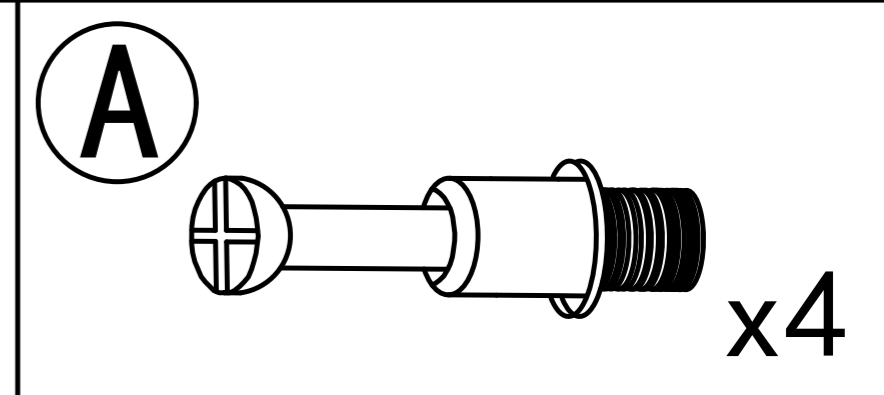
Step 3



Use a screwdriver to lock in the direction of the "+" sign

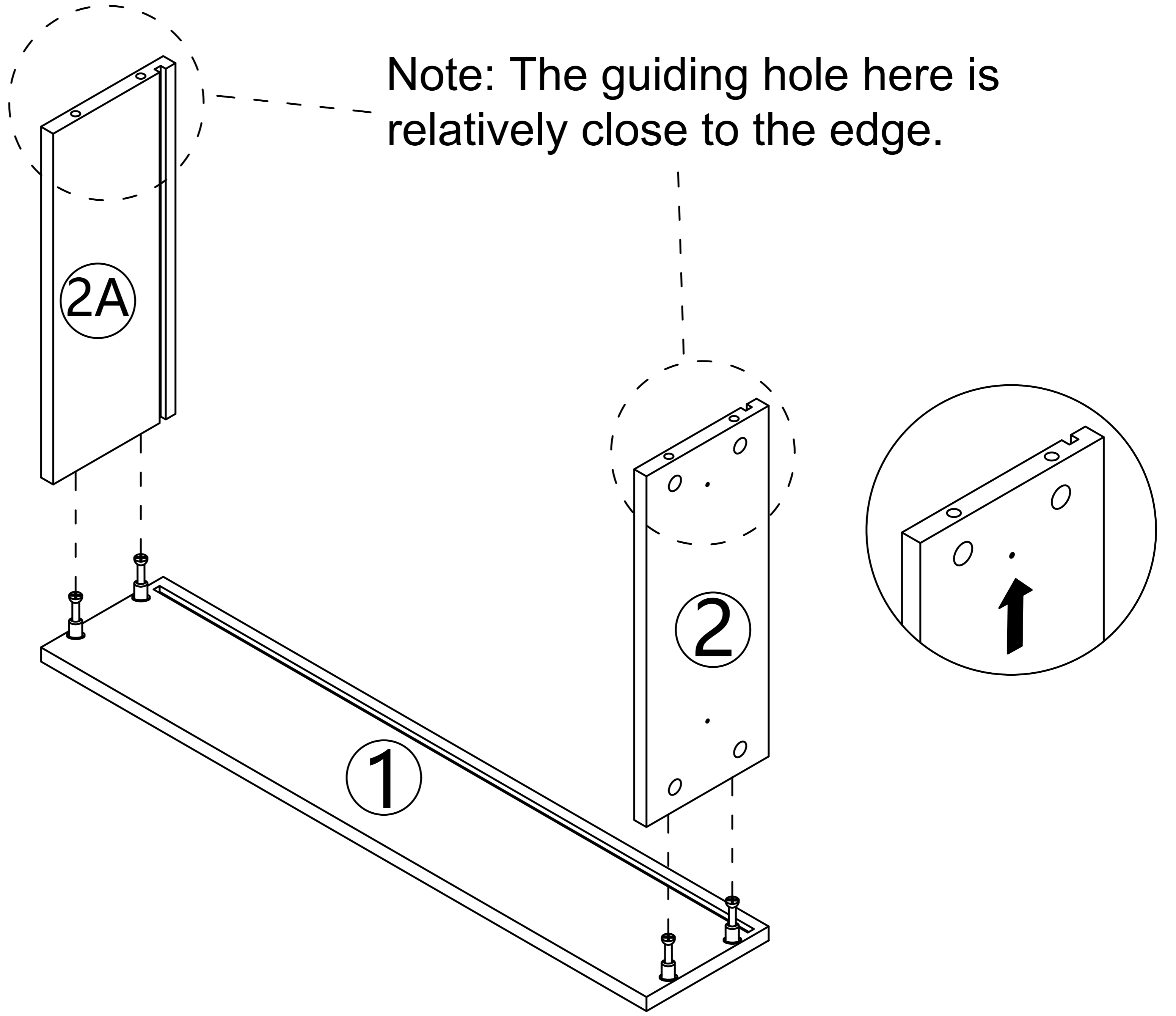
Disassemble along the direction of "-" sign

Step 1

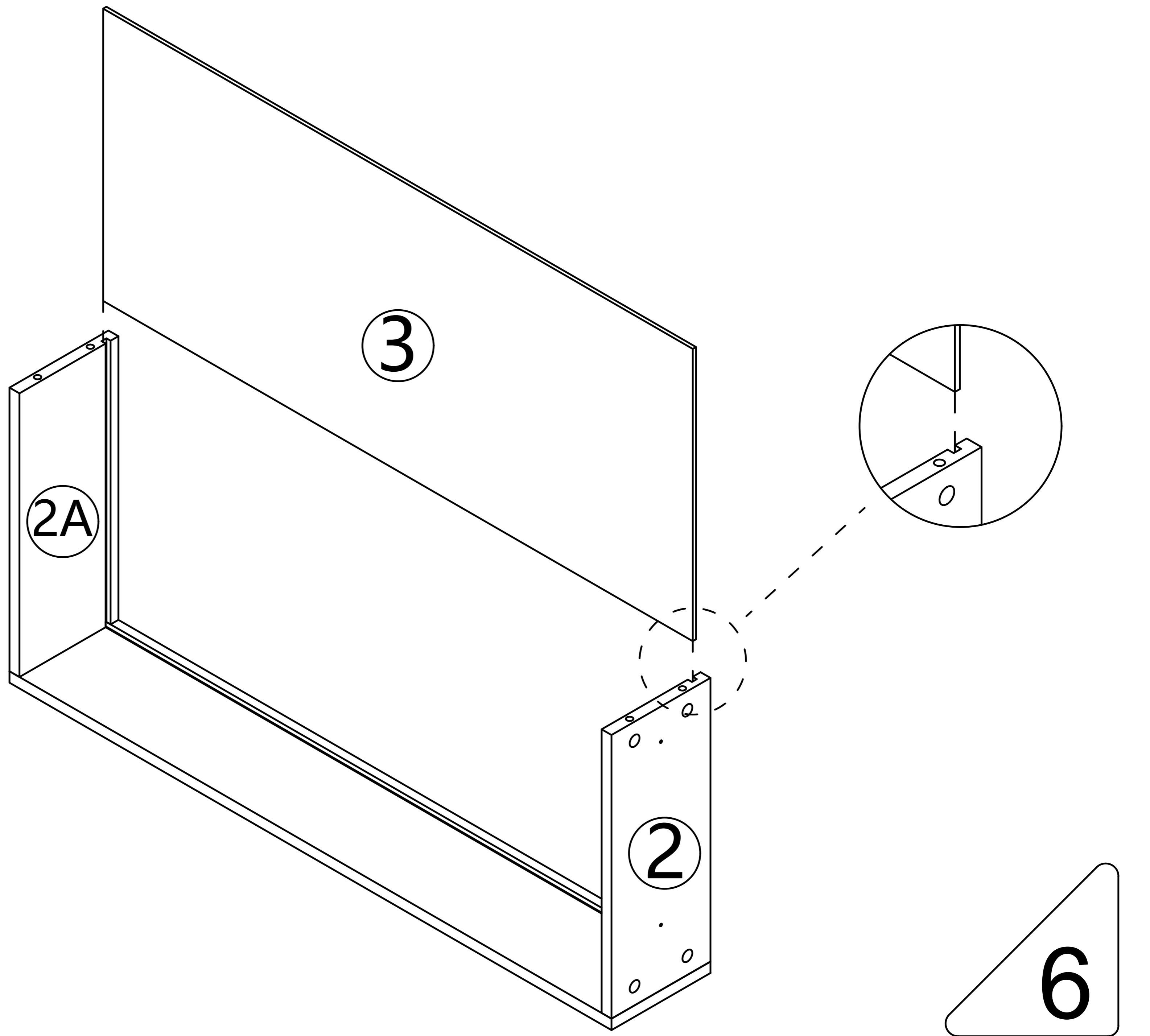


5

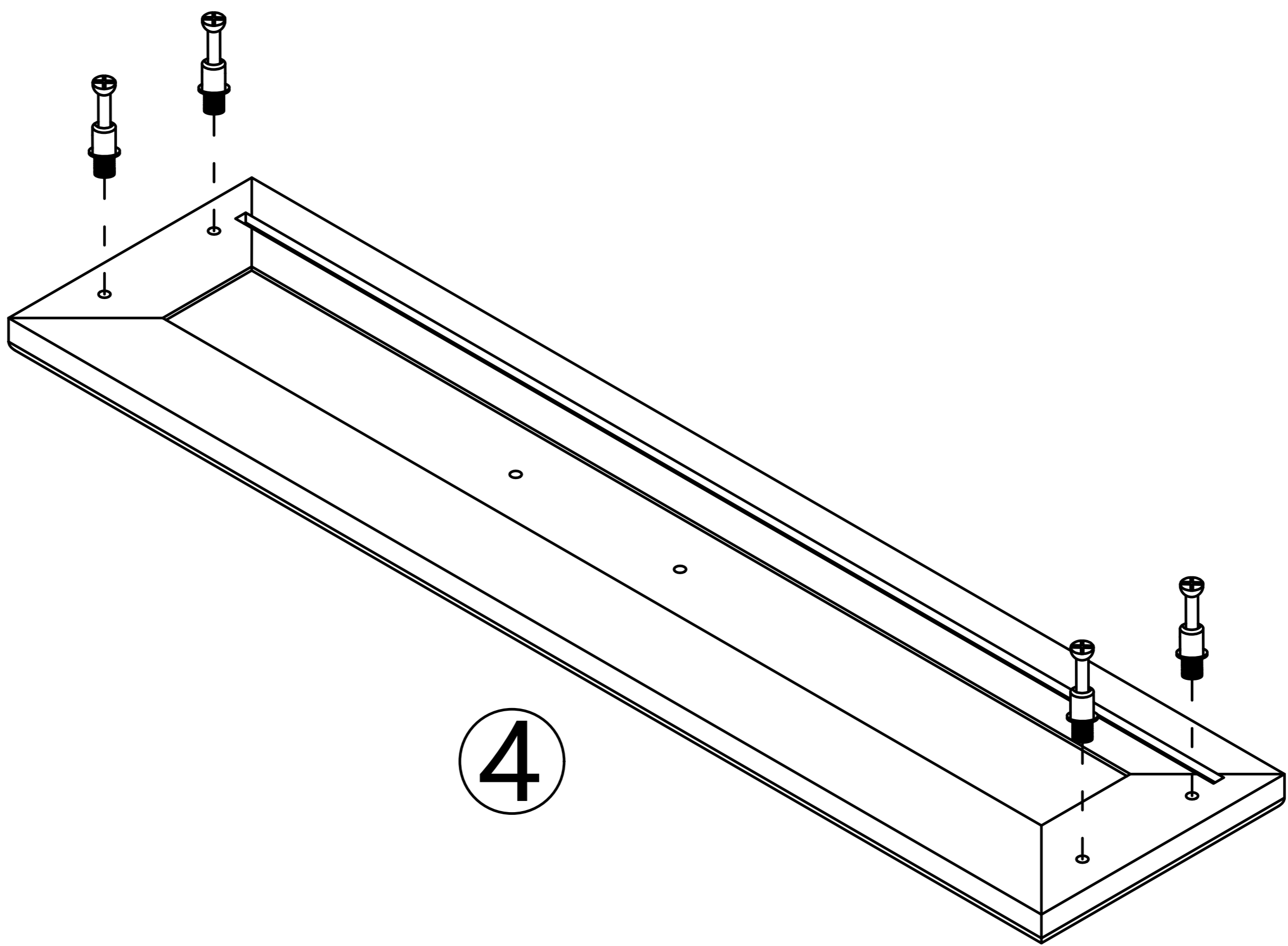
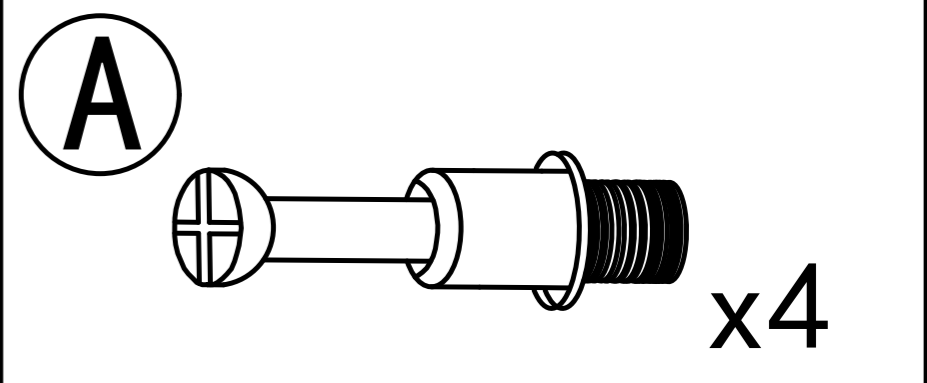
Step 2



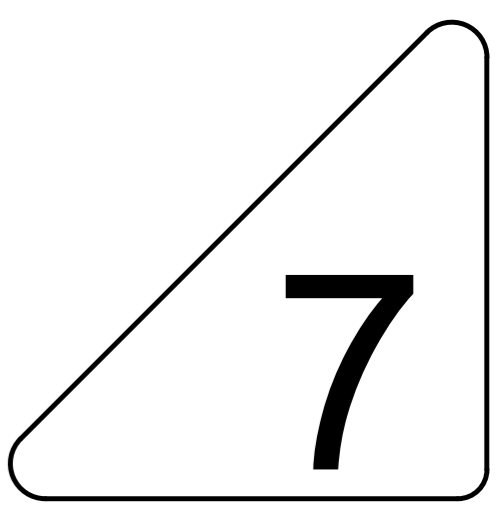
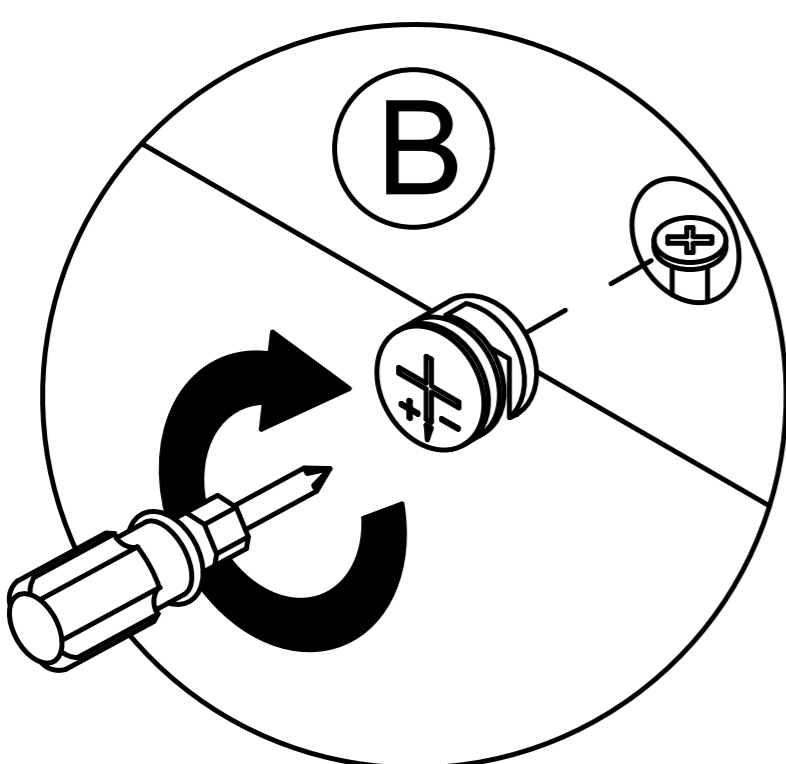
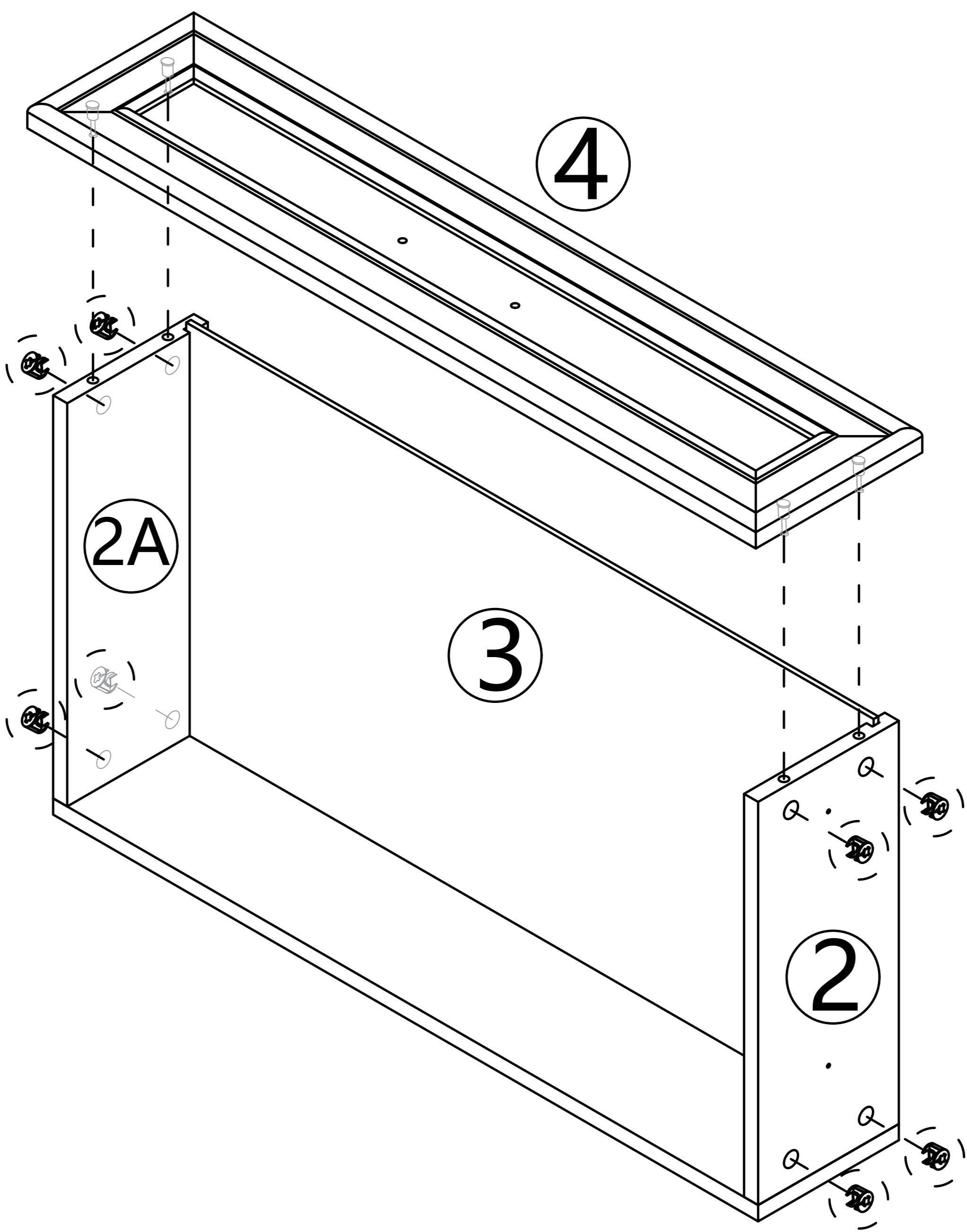
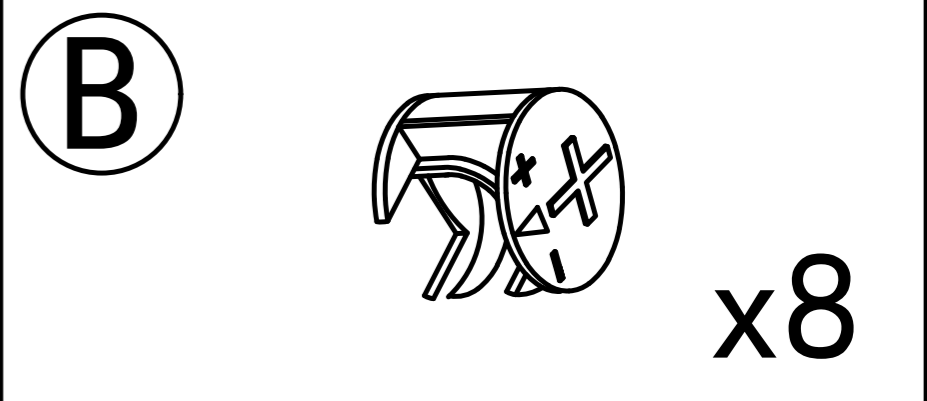
Step 3



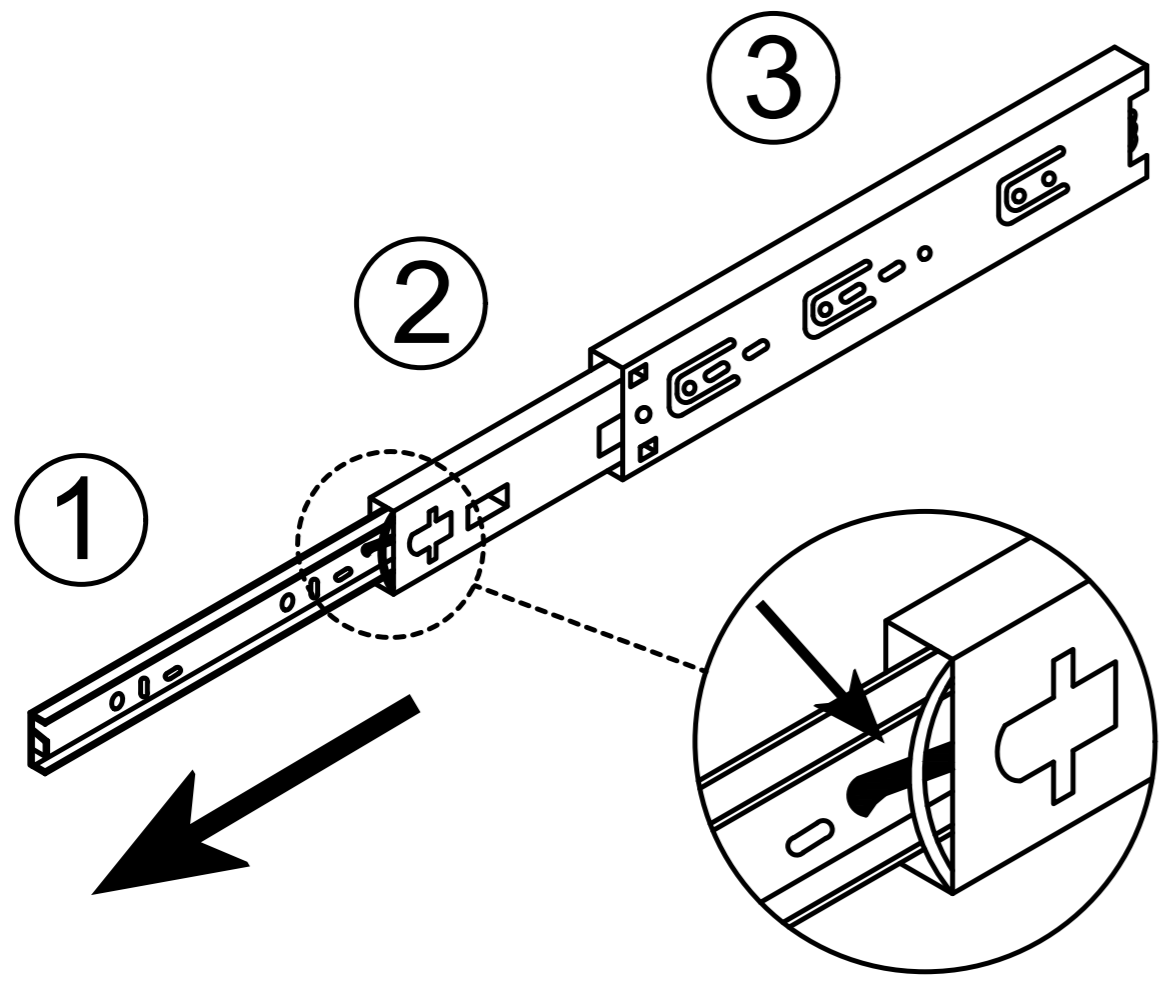
Step 4



Step 5

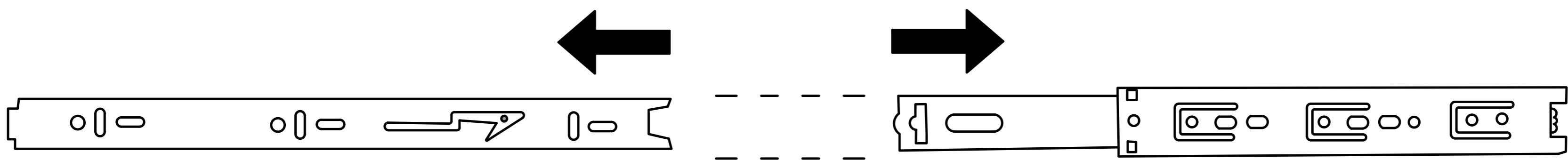
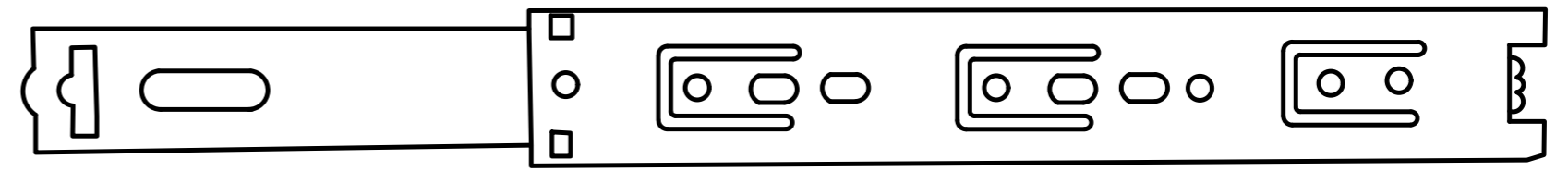
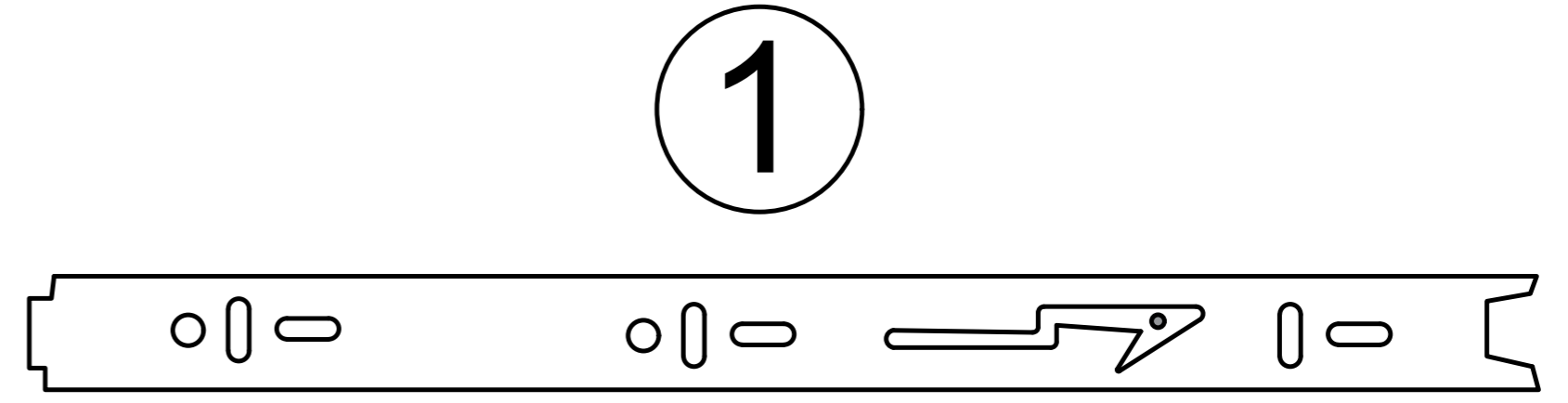


Exploded view of drawer guide rail

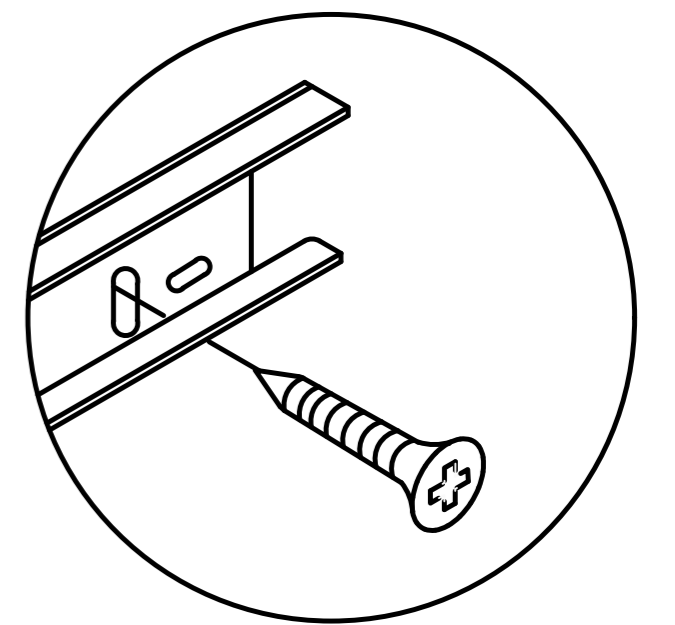
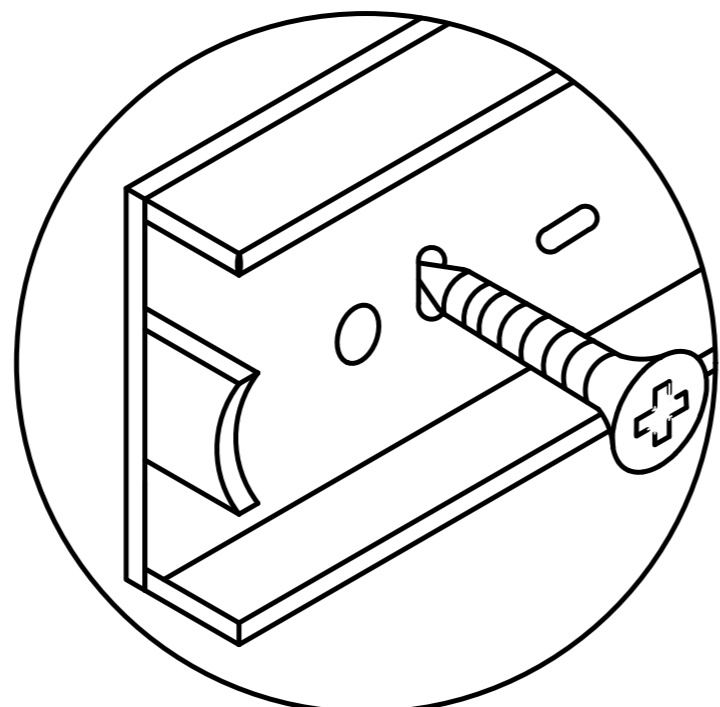
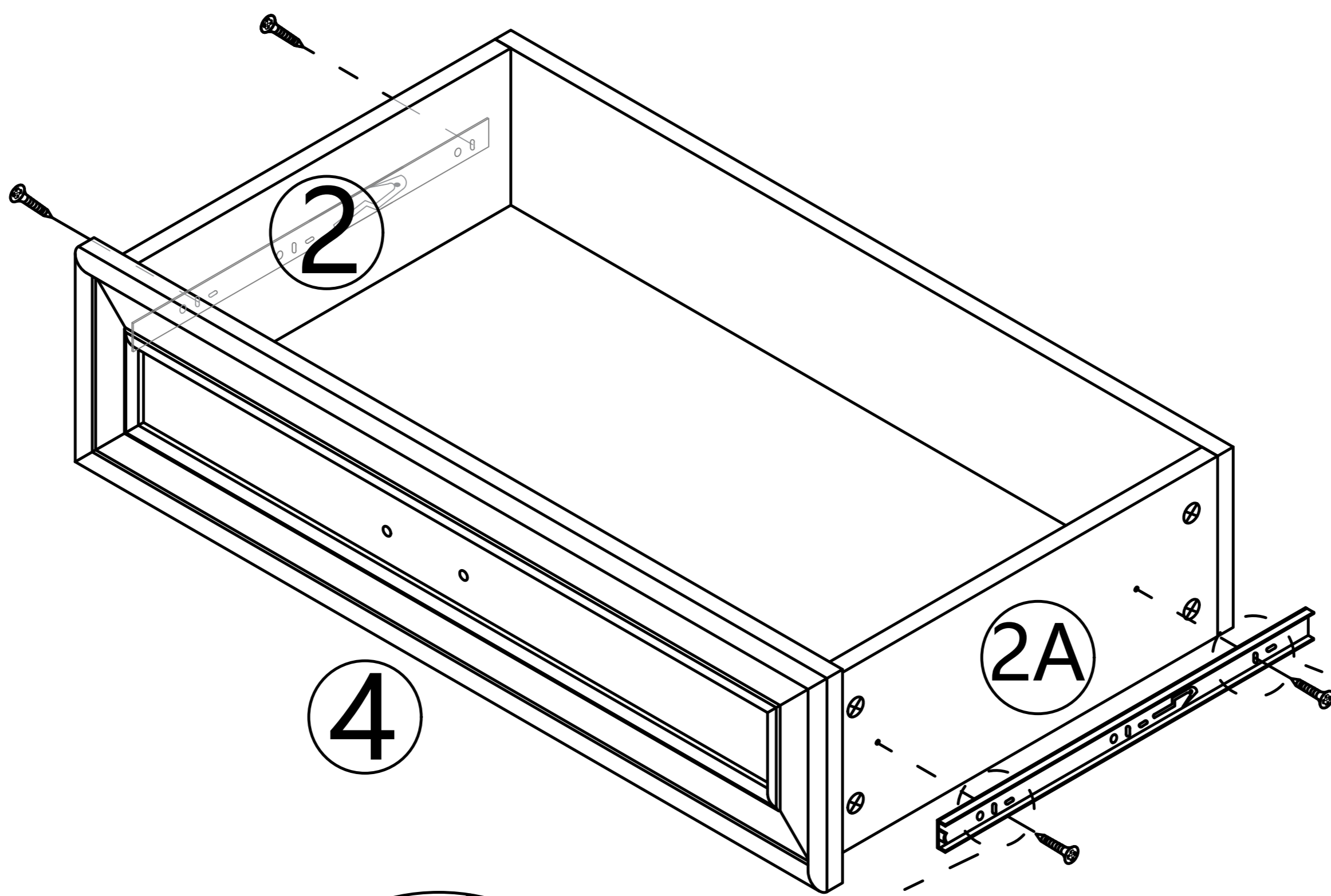
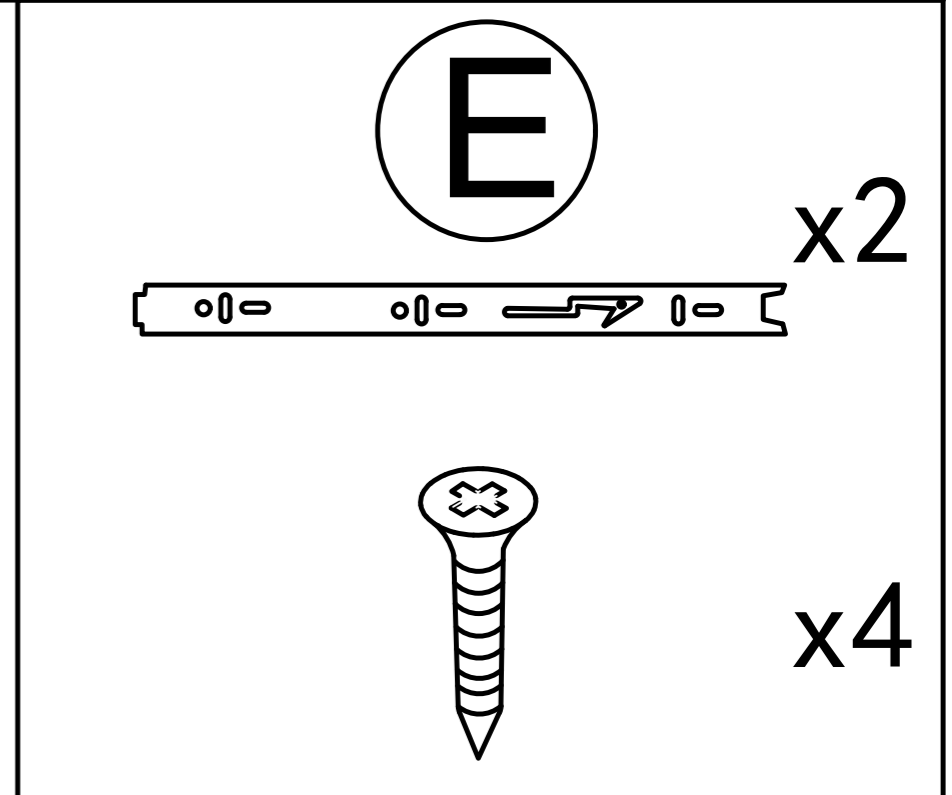
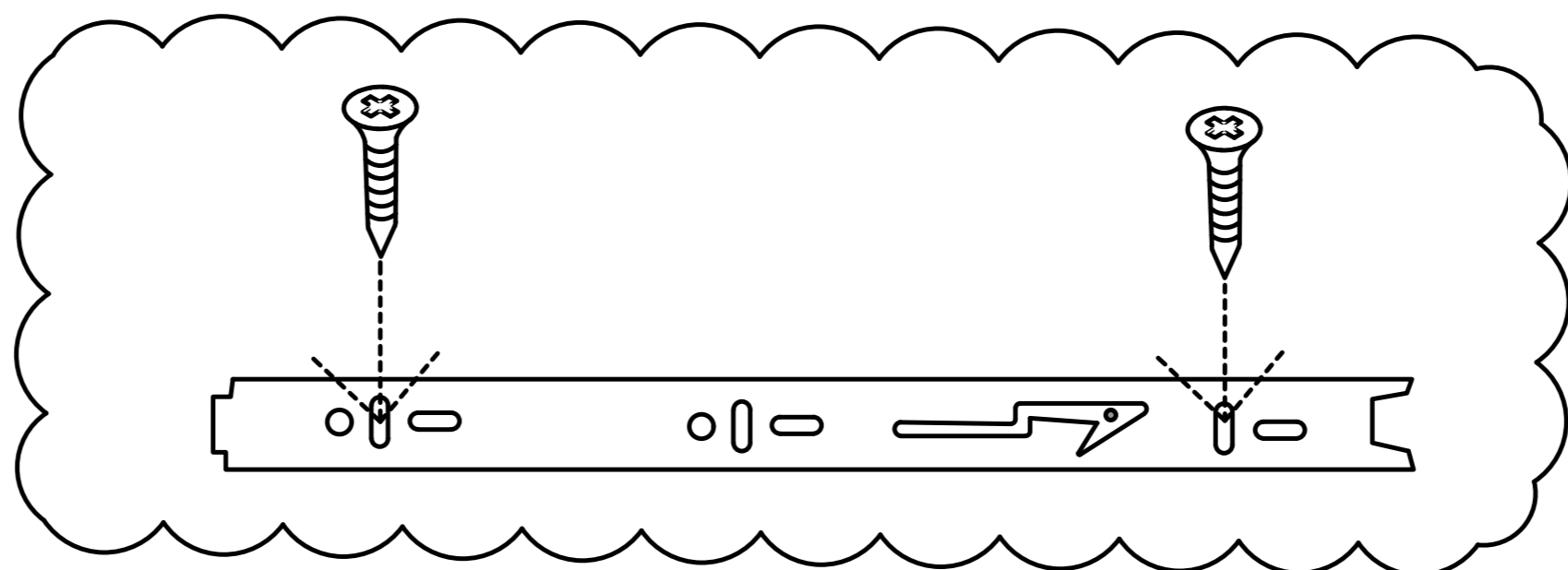


Step 1 : Pull the guide rail apart



Step 2 : Push the nylon buckle and pull outward ①

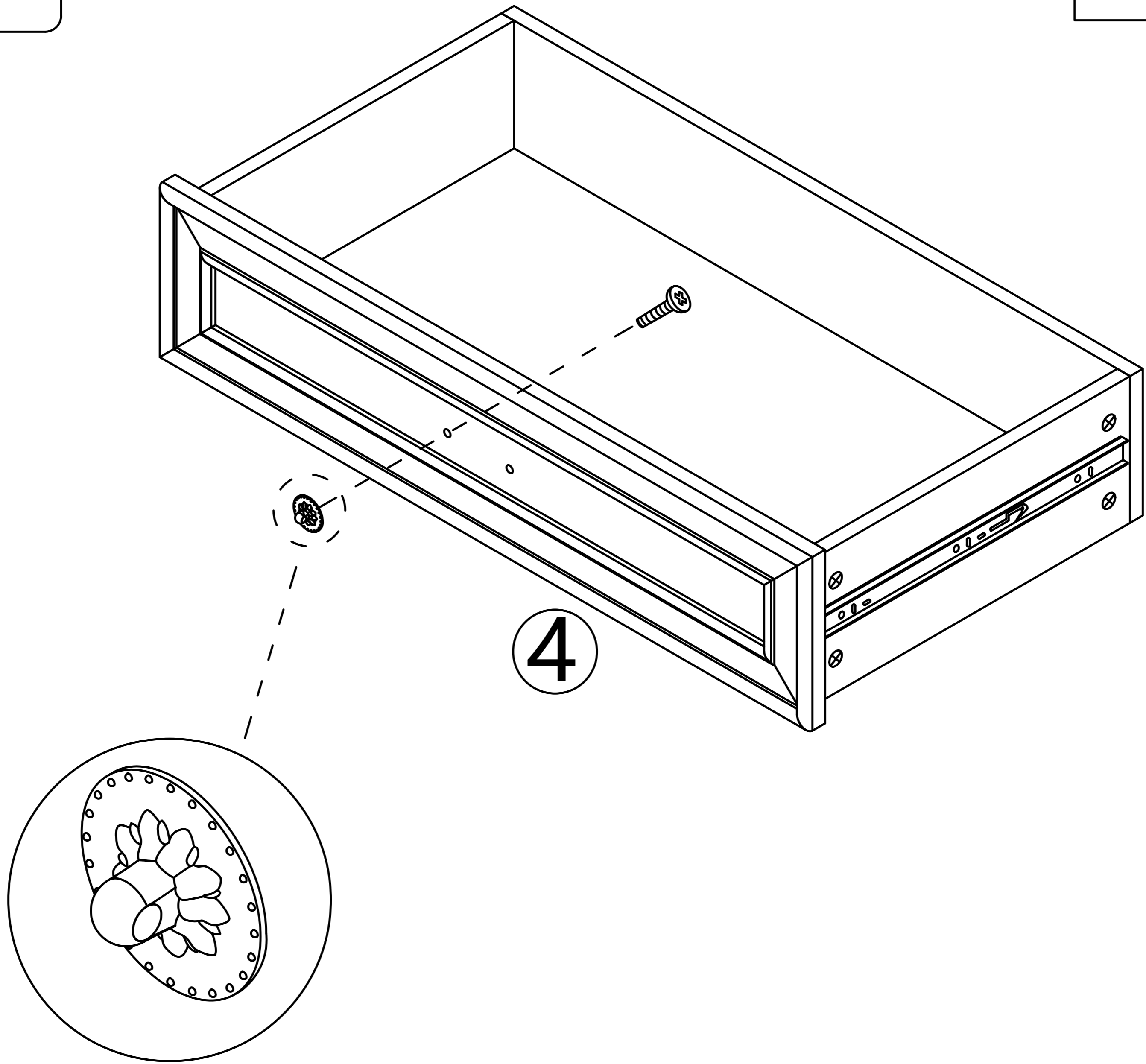


Step 6

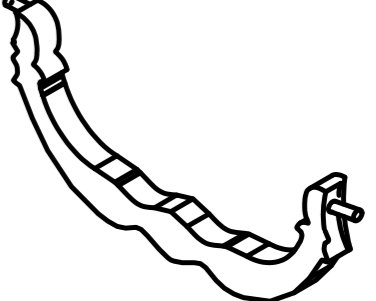


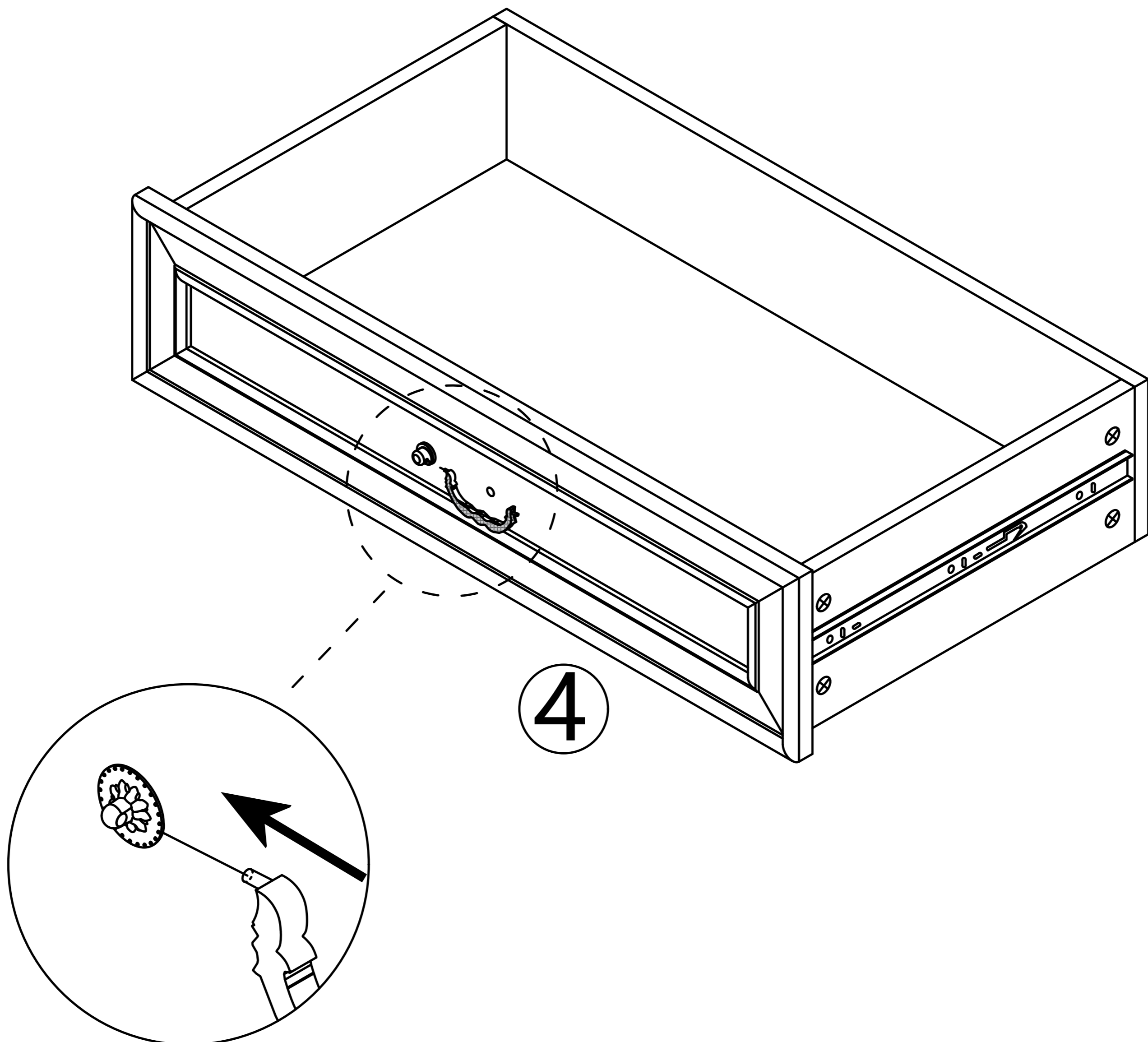
Step 7

- (D)  x1
-  x1





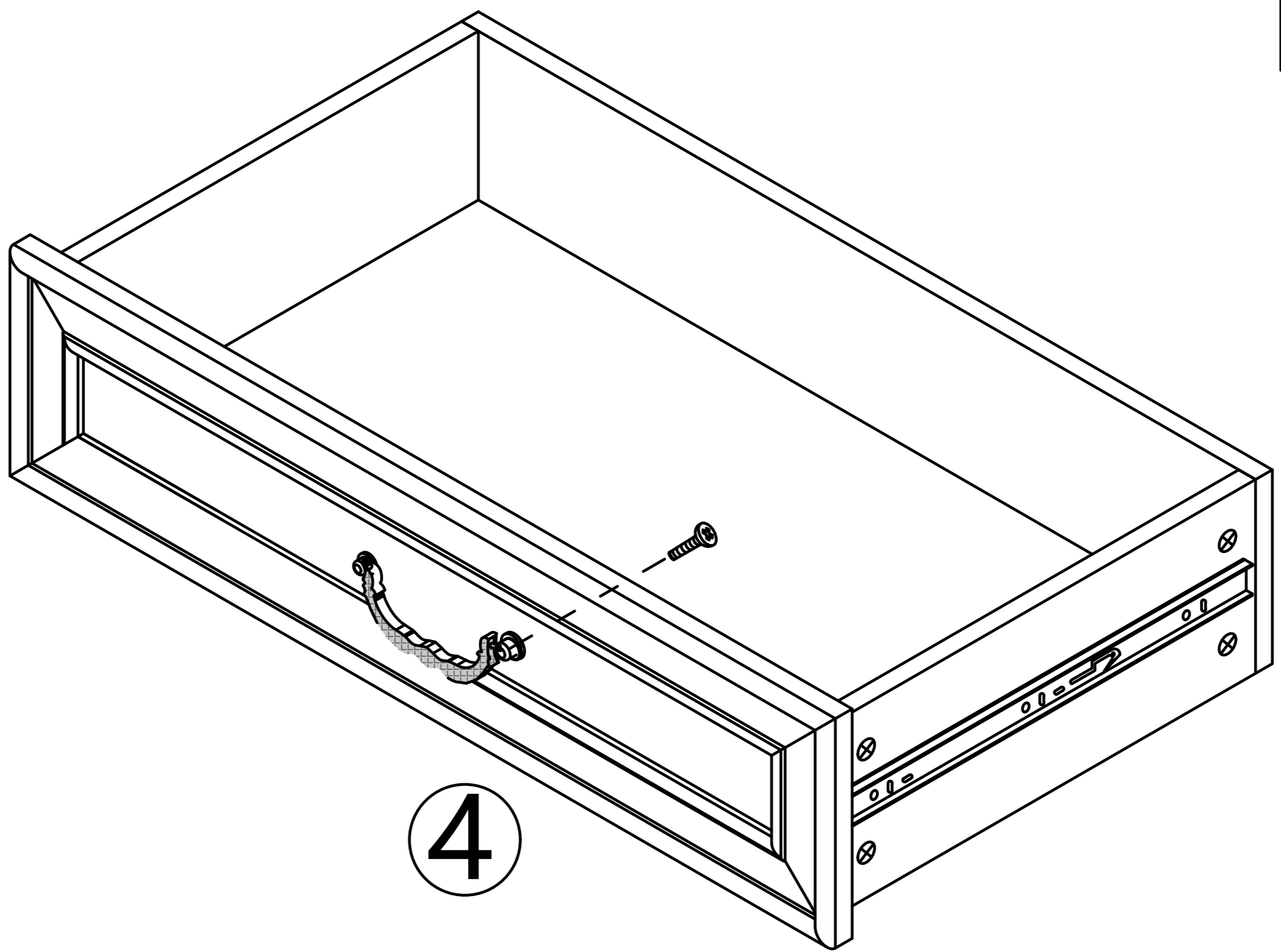
Step 8

- (D)  x1

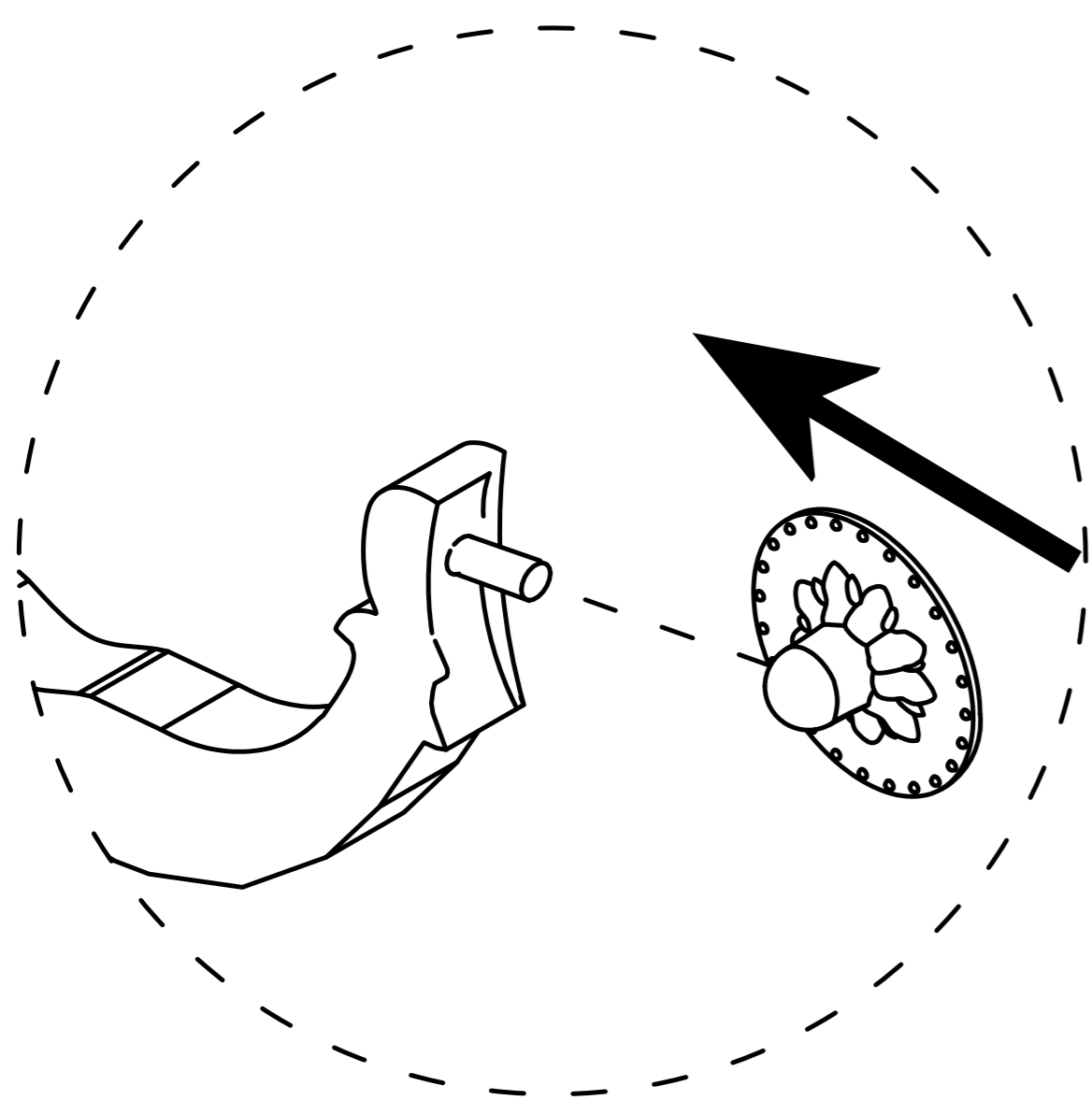


Step 9

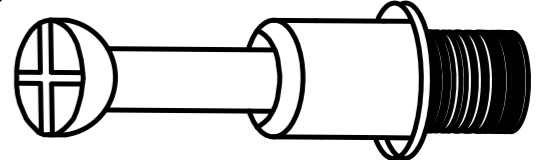
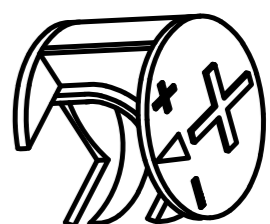


- (D)  x1
-  x1

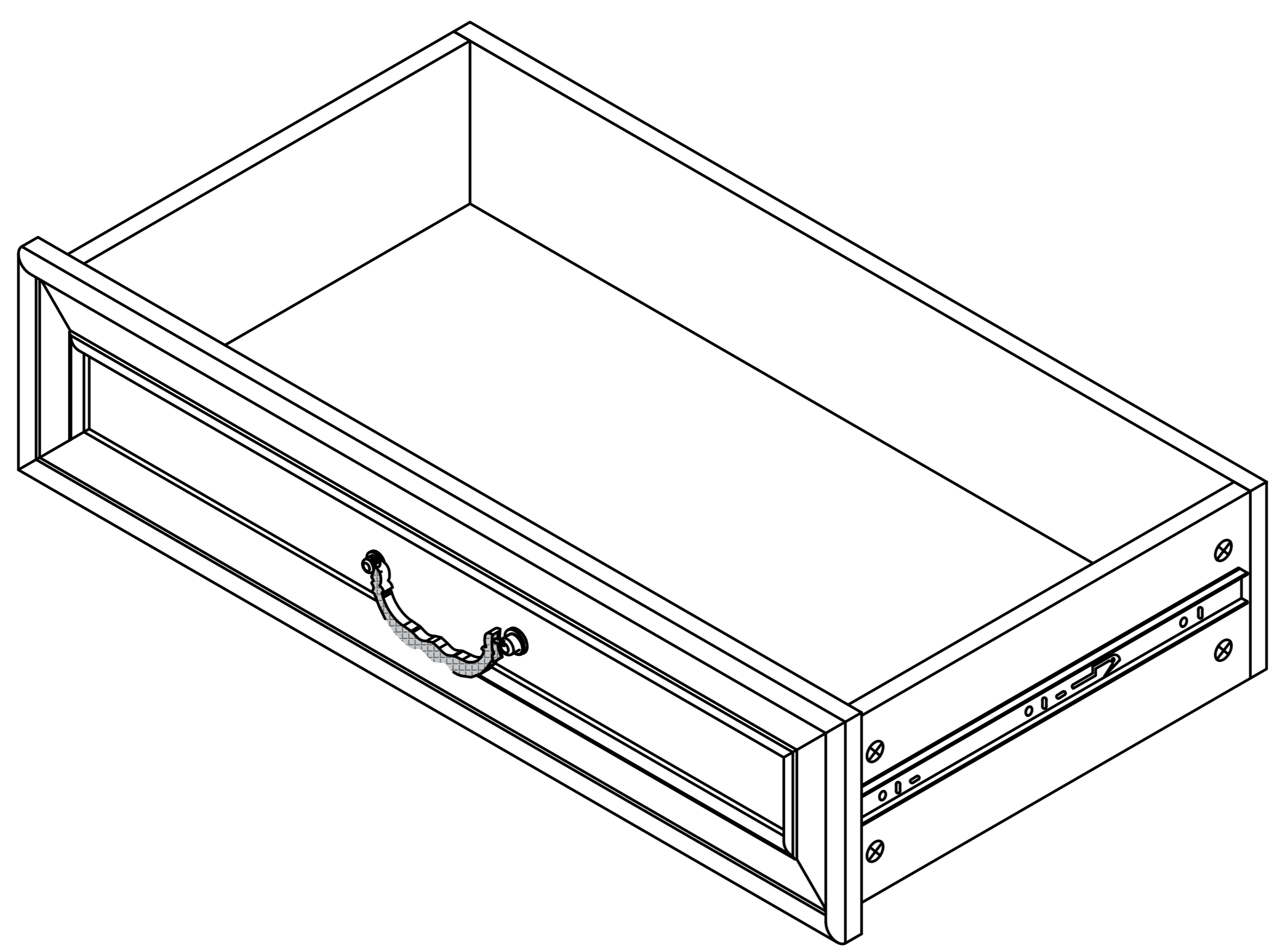


4



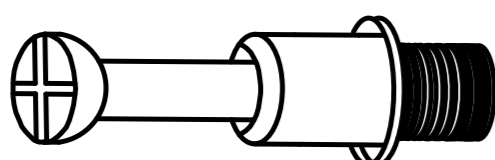
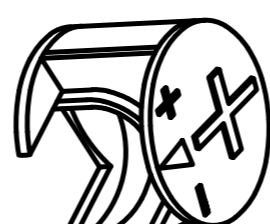

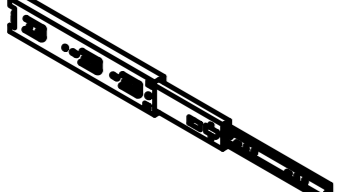
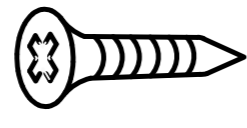

Step 10

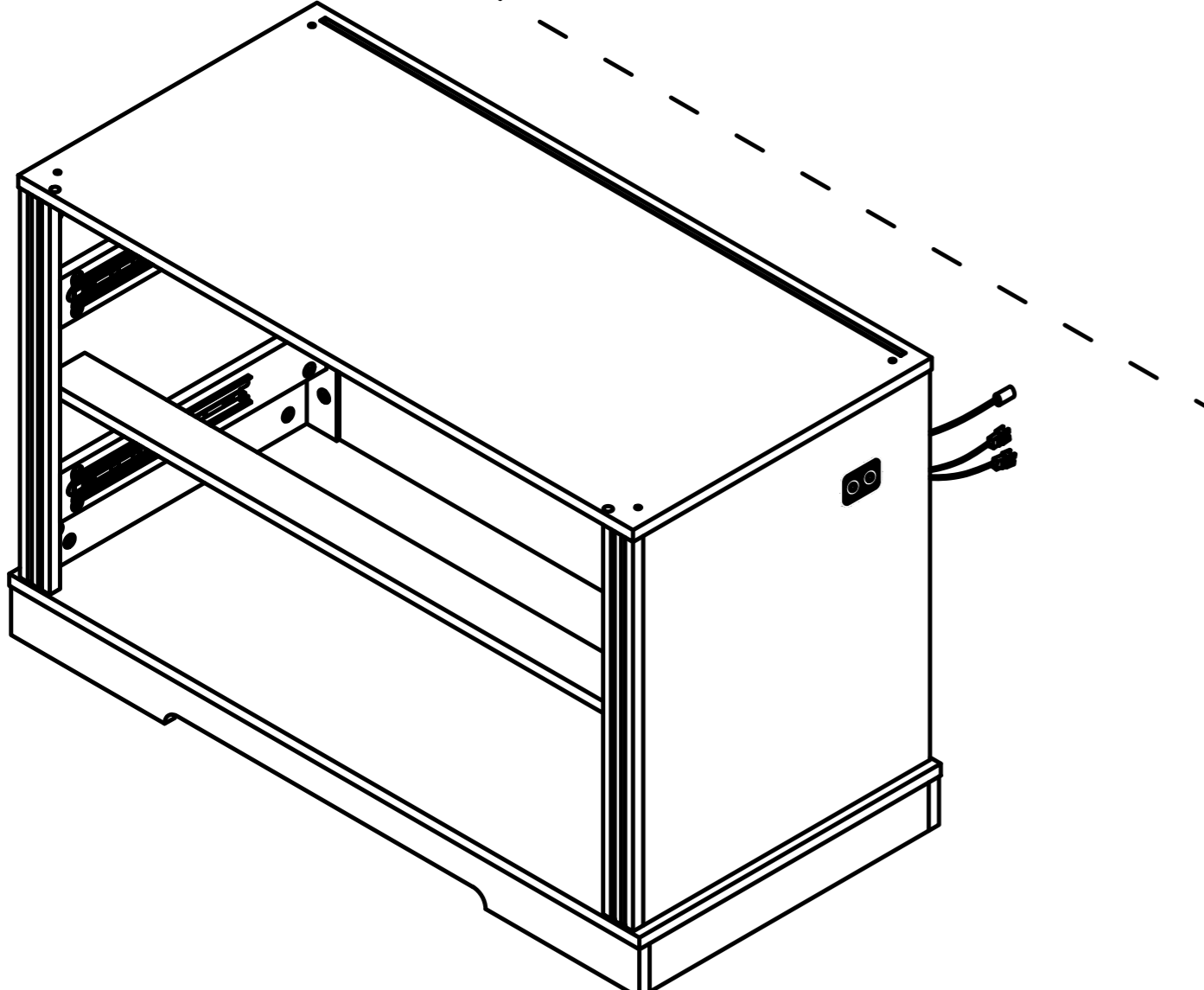
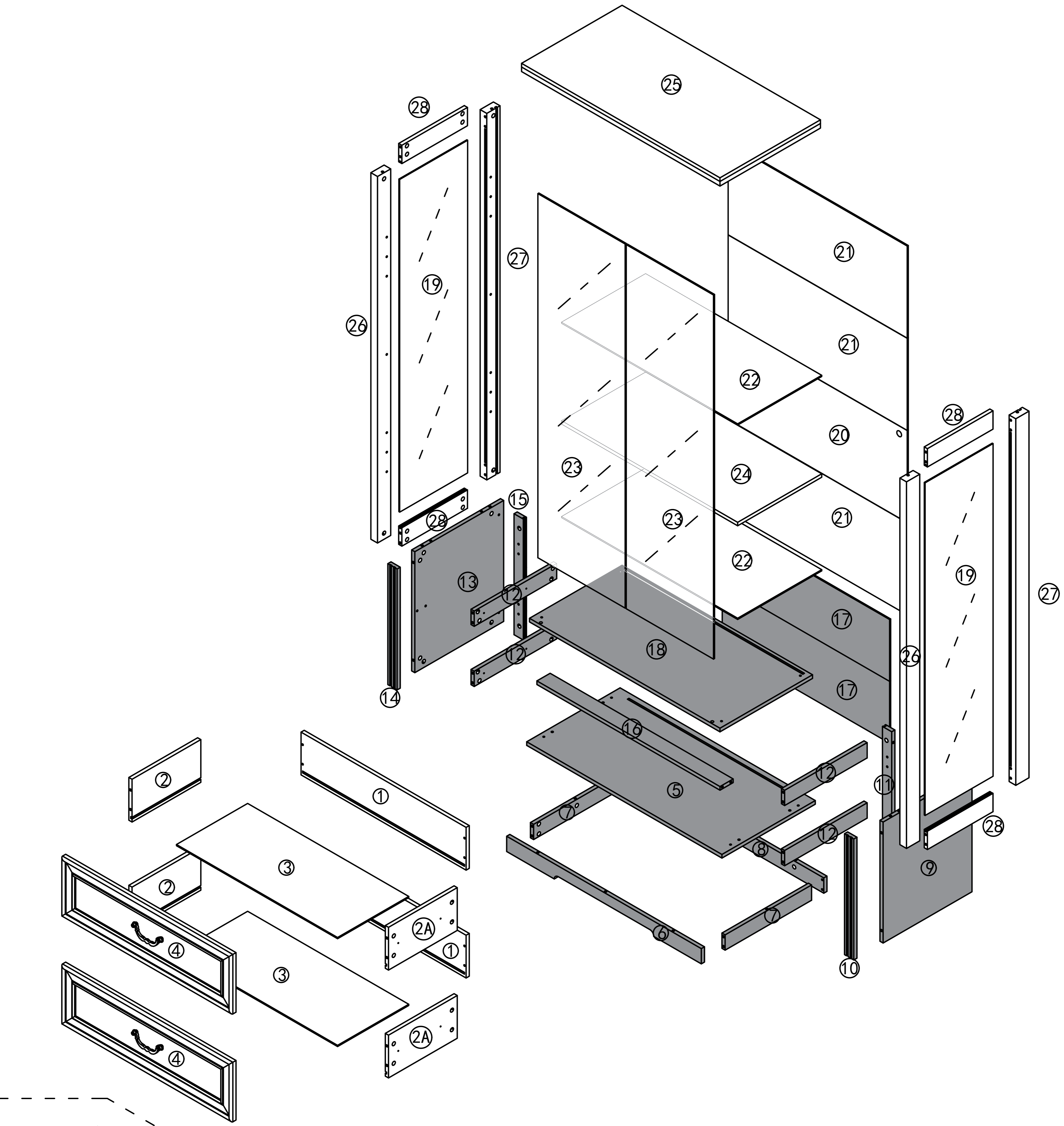
- (A)  x8
- (B)  x8
- (D)  x1
-  x1



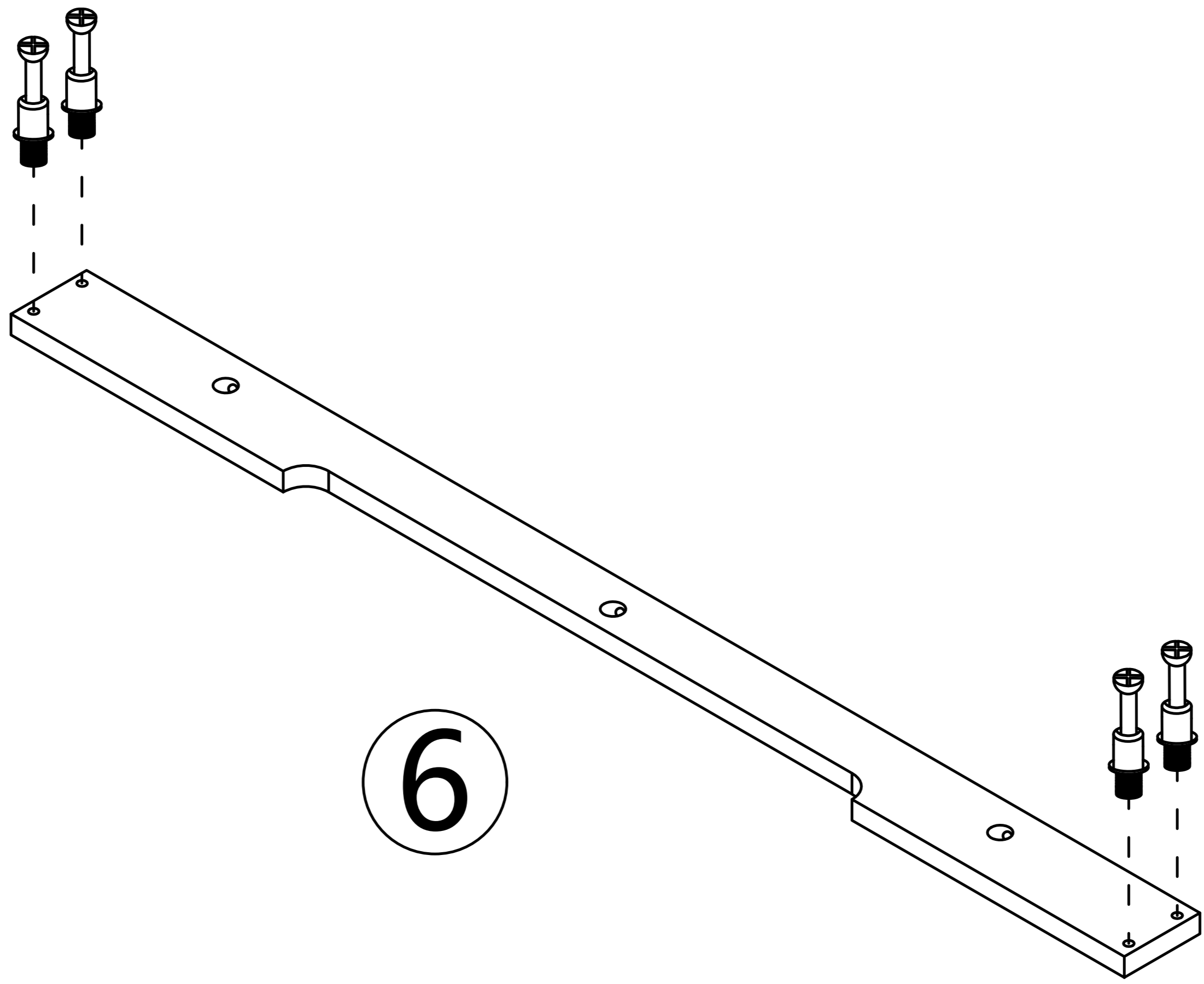
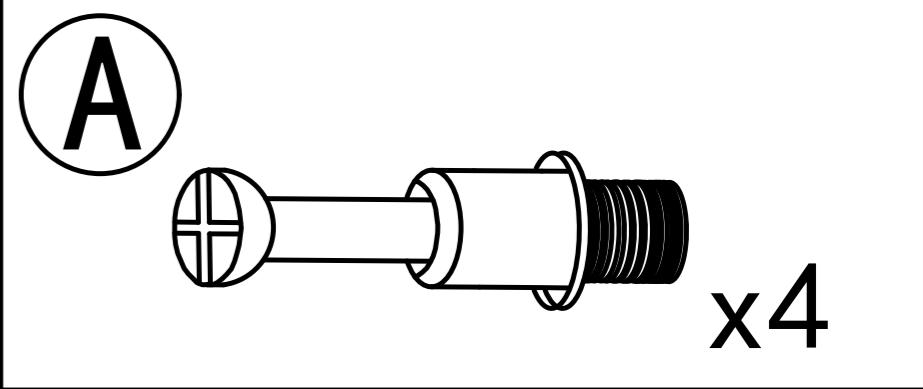
x2

Repeat the drawer installation steps

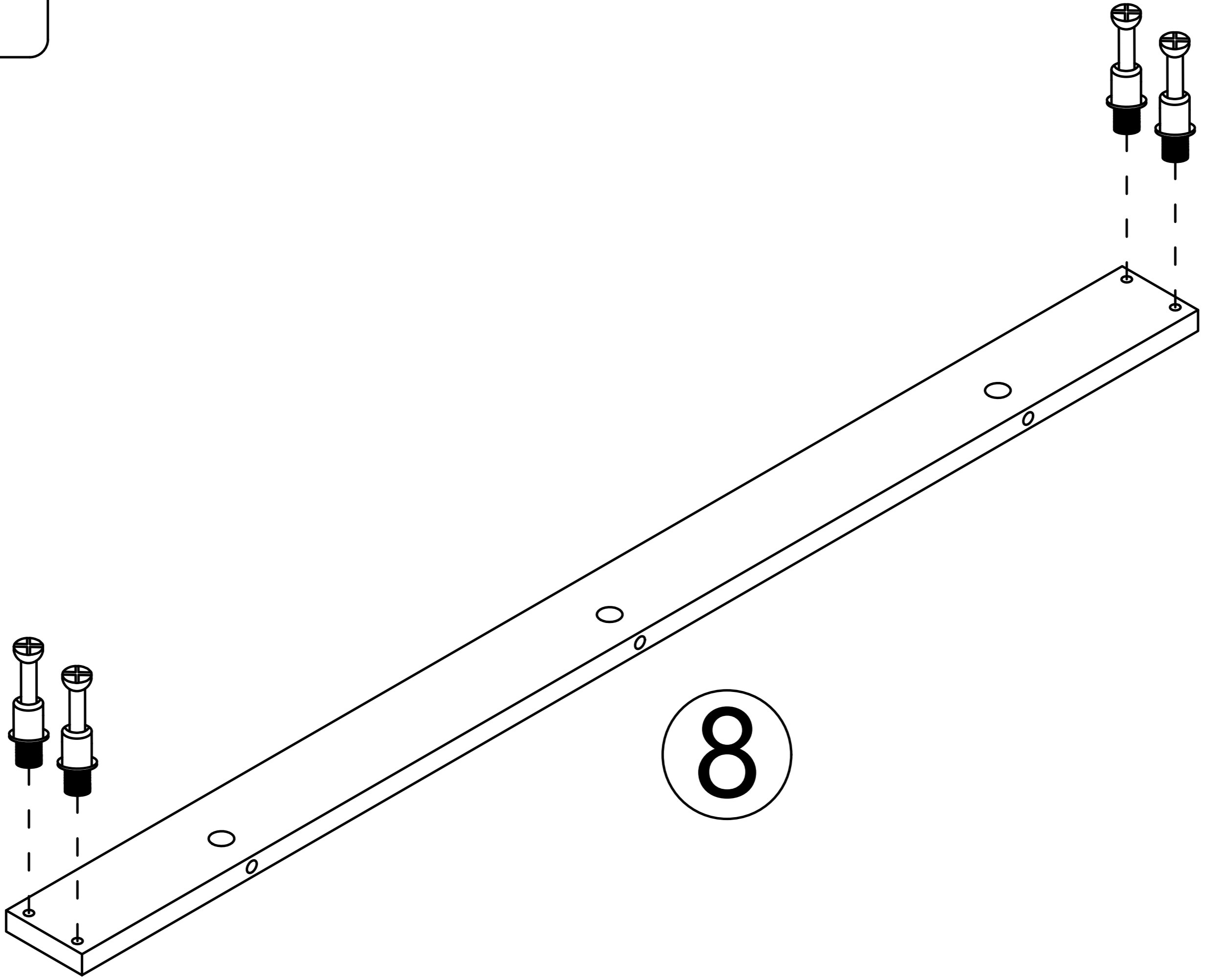
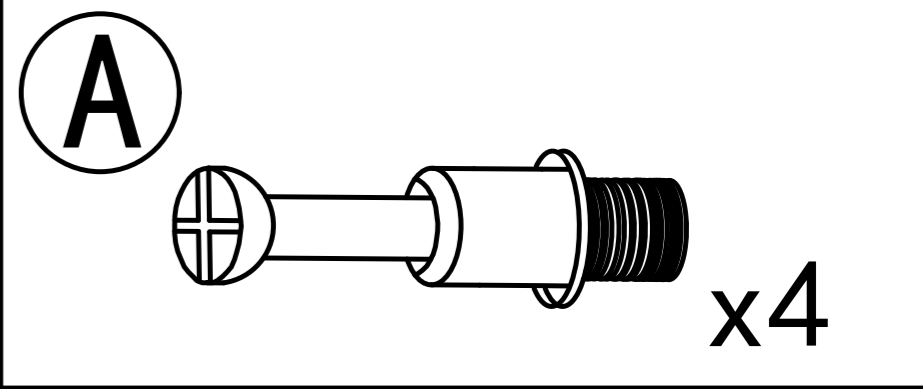
A		52pcs	B		52pcs	C		8pcs
E	 4pcs	 12pcs	F		4pcs			



Step 11

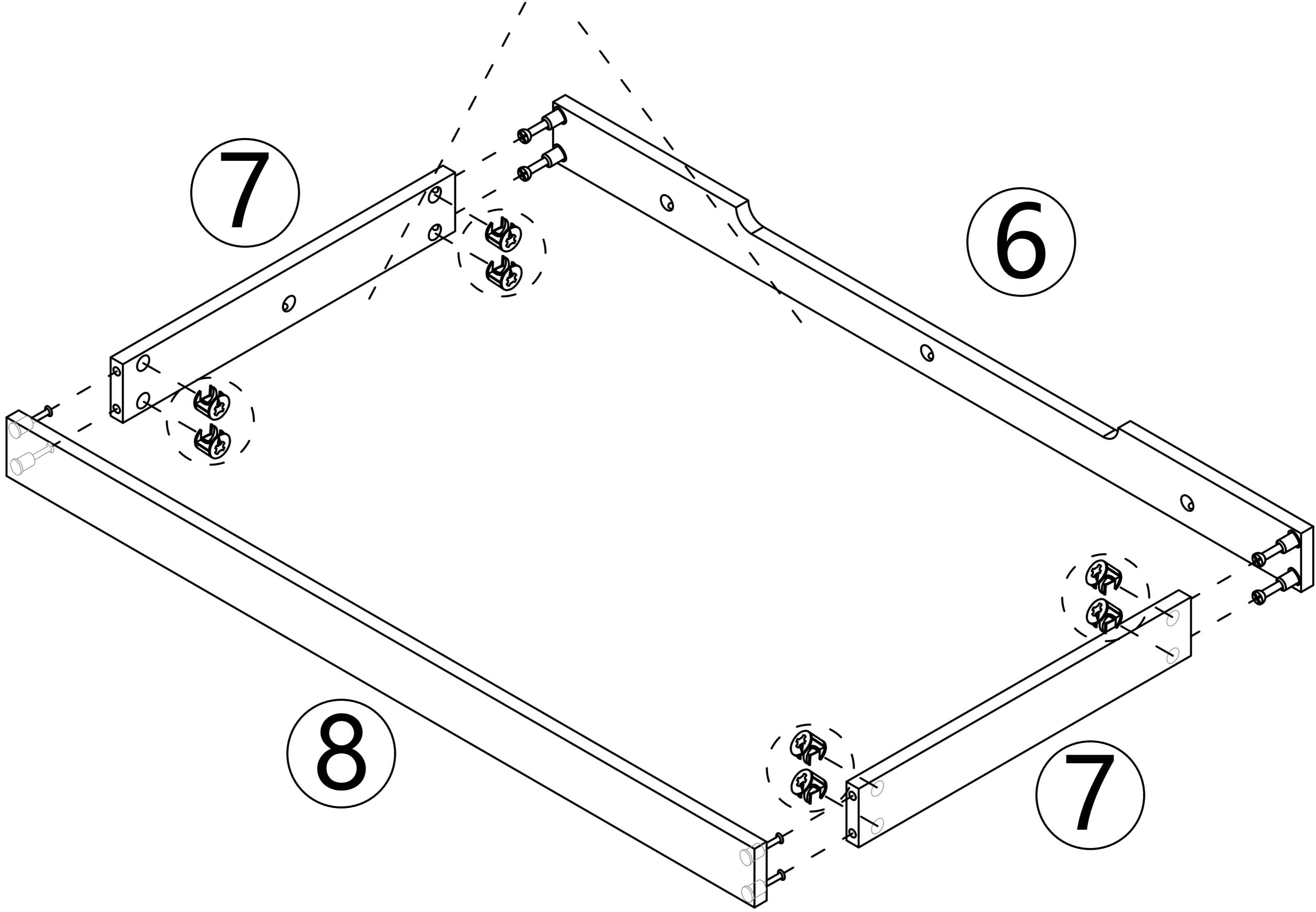
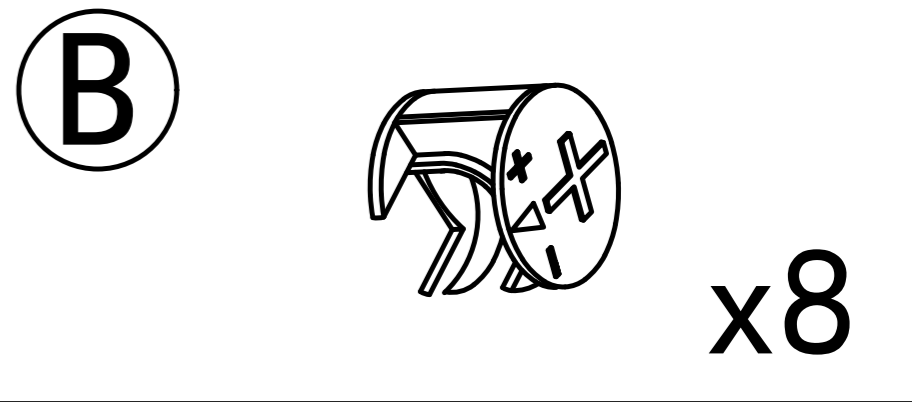


Step 12

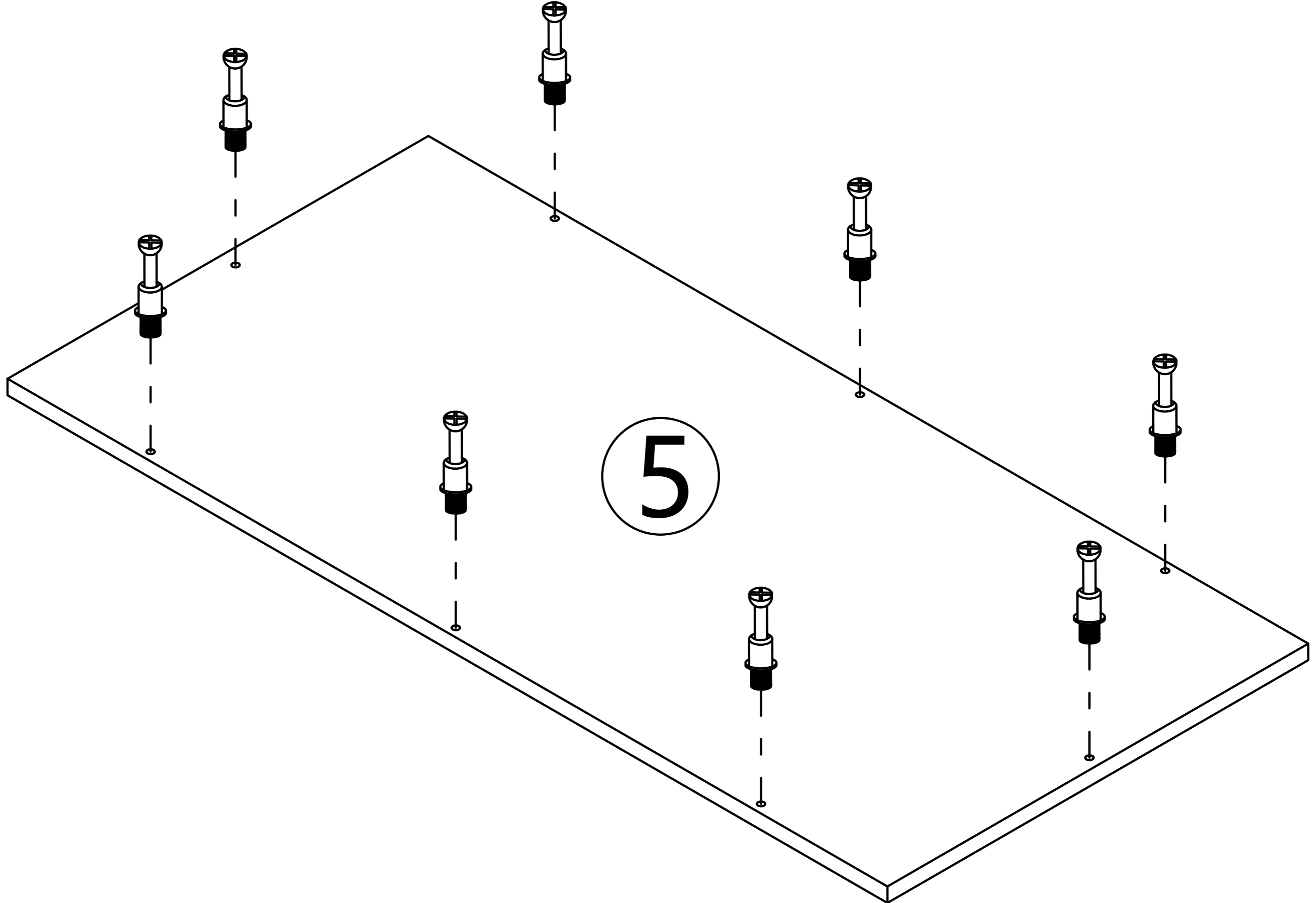
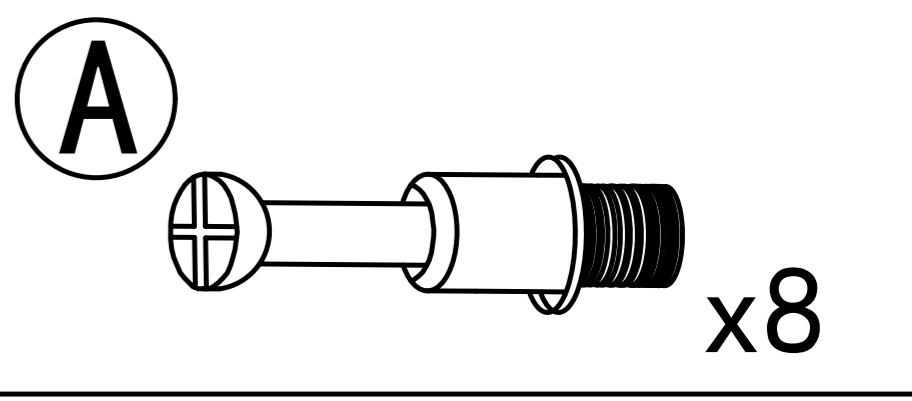


Step 13

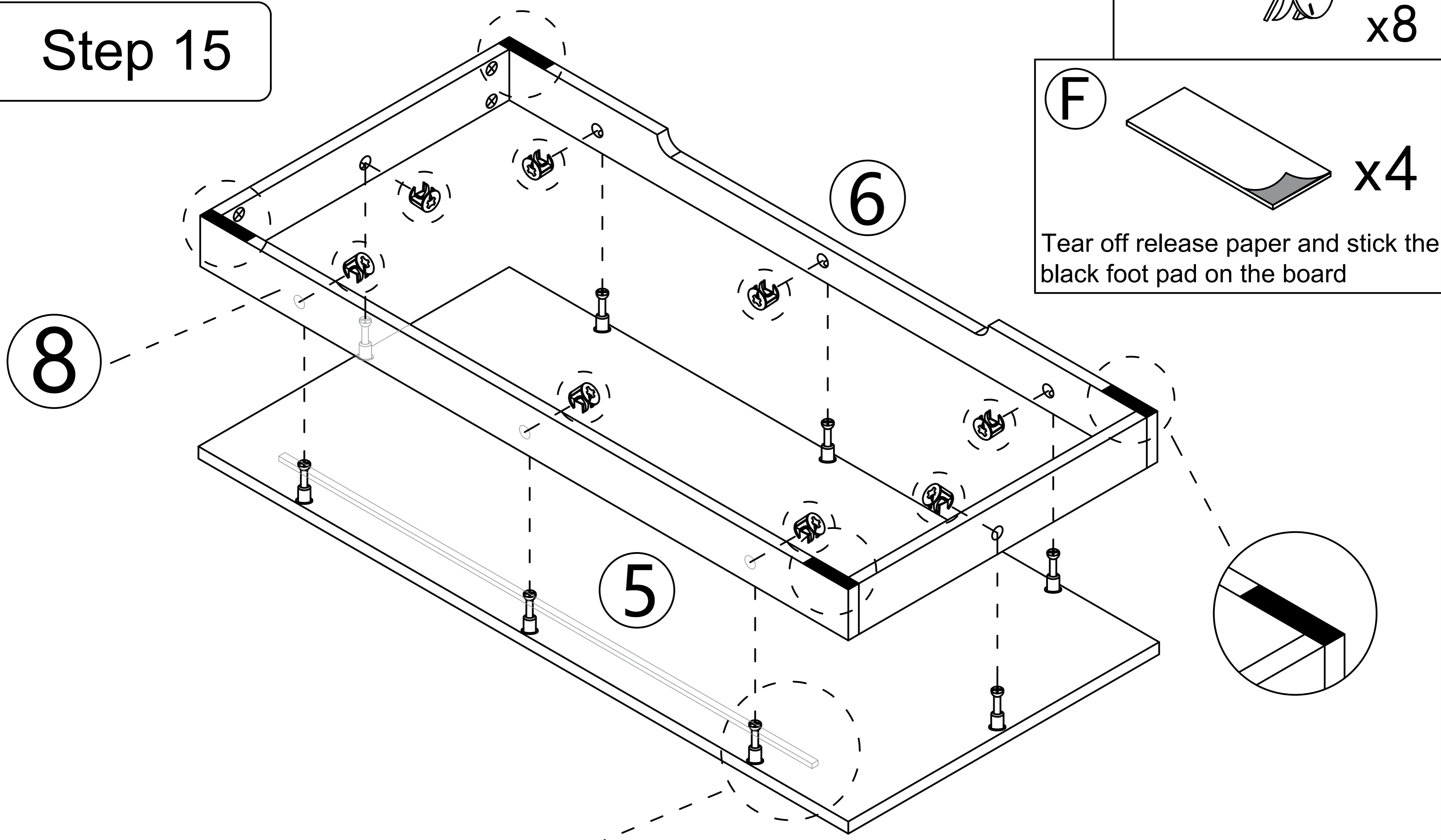
Attention: The holes on all four boards are facing downwards



Step 14

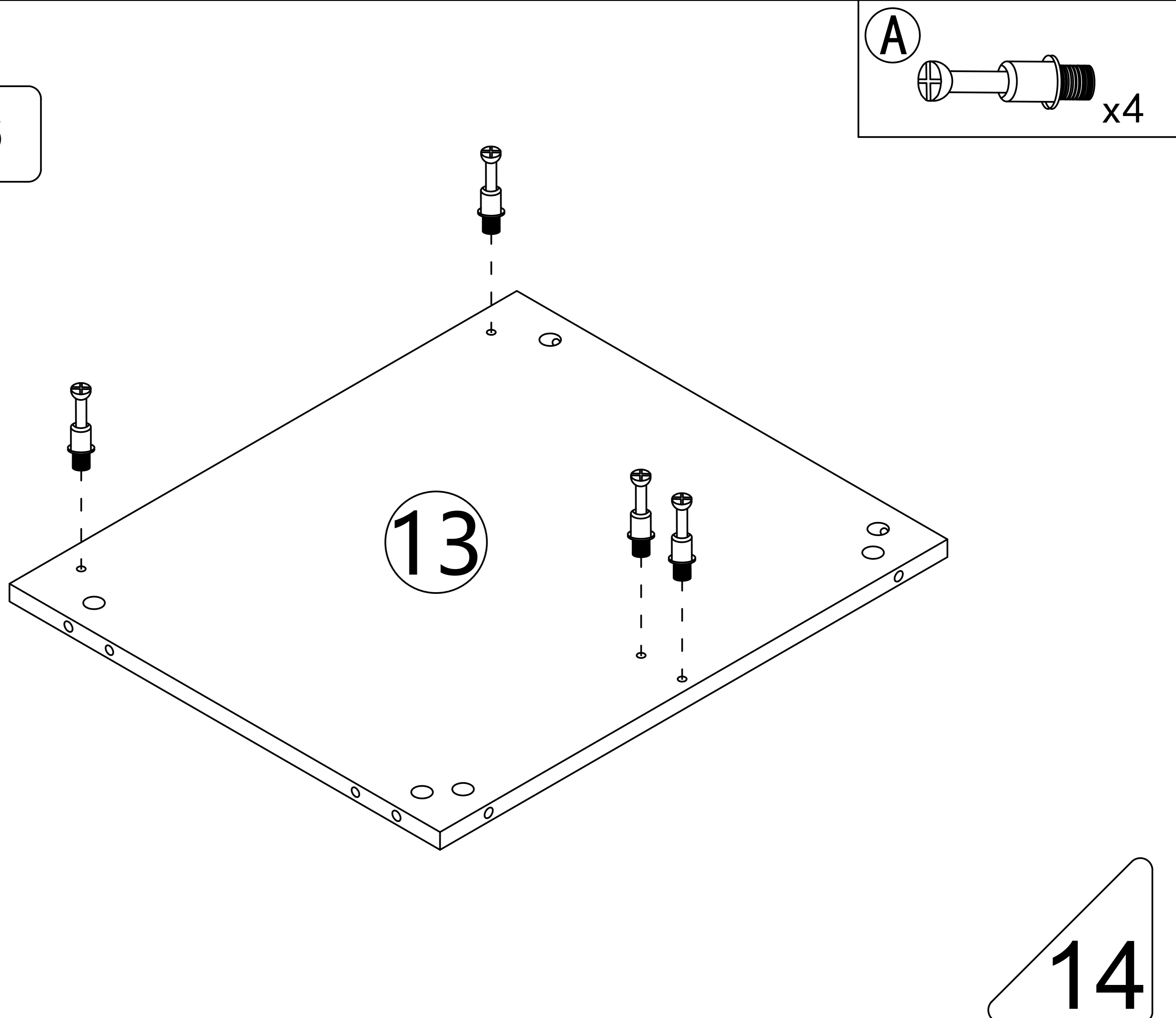


Step 15

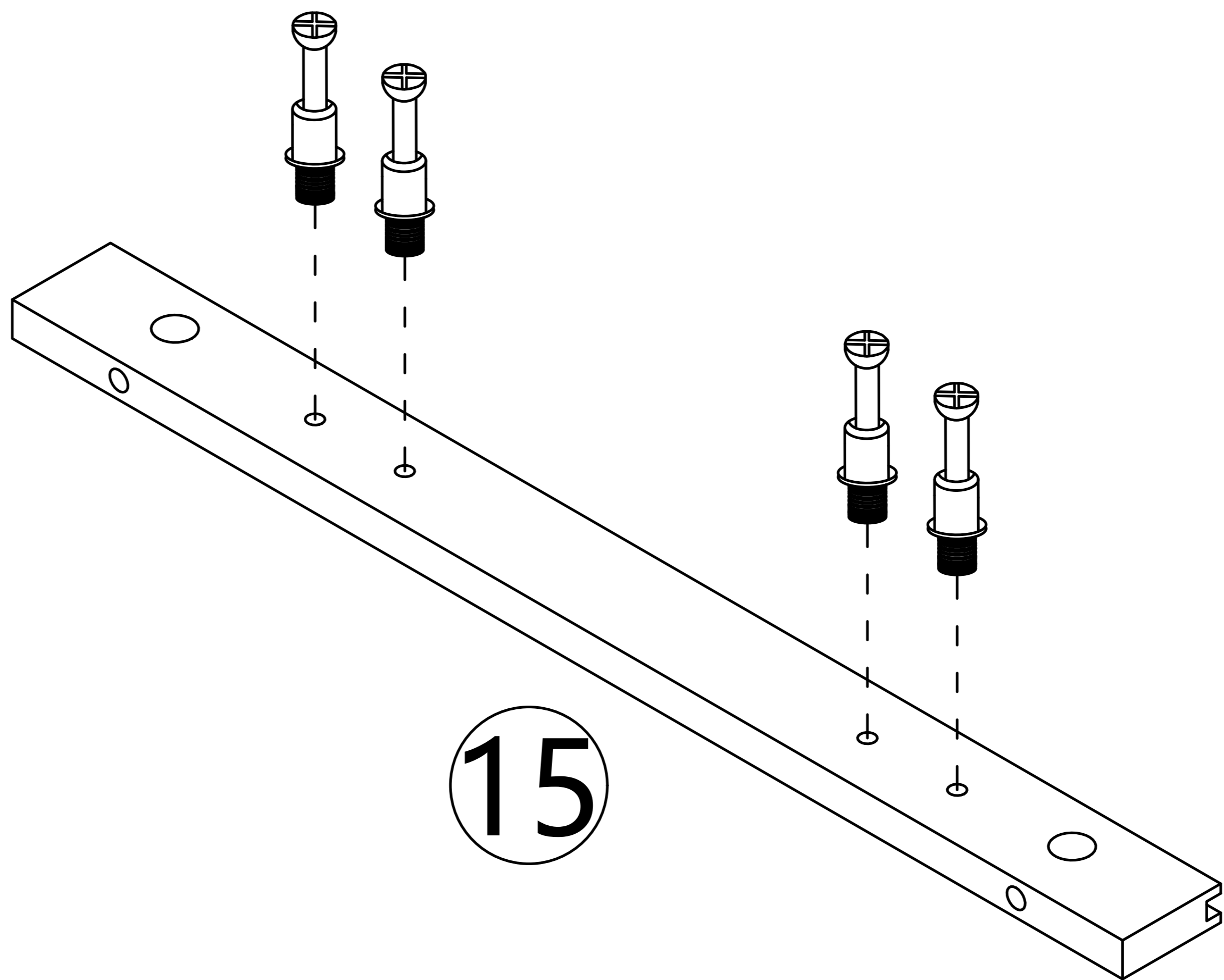
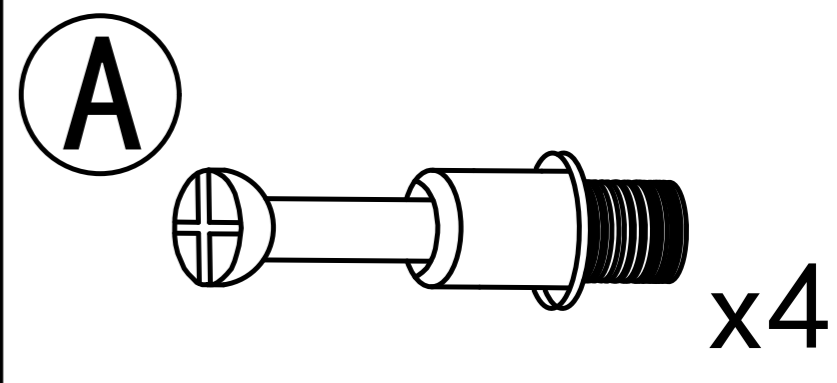


Attention: There is a groove behind the 8 board in the position where the 8 board is installed

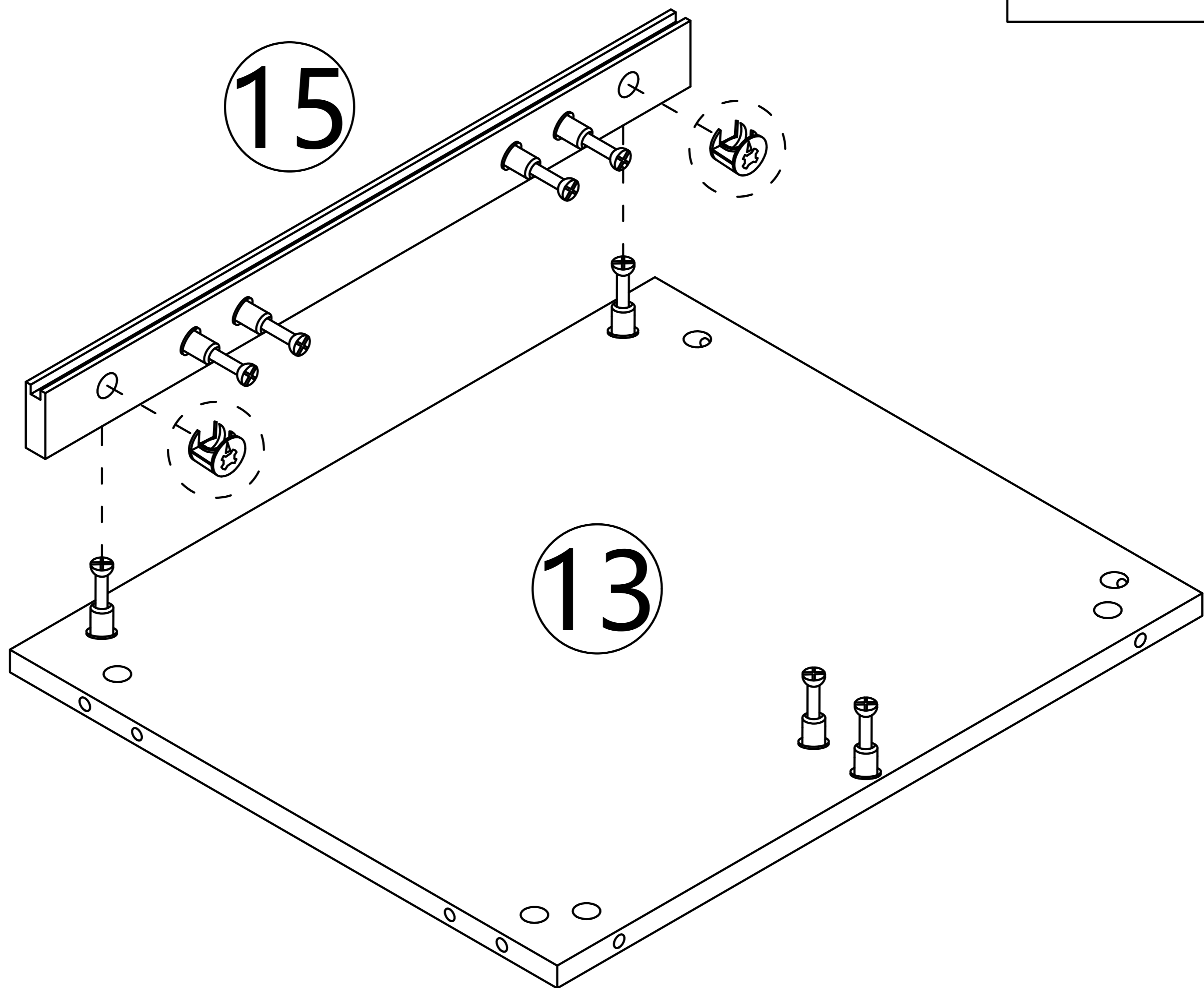
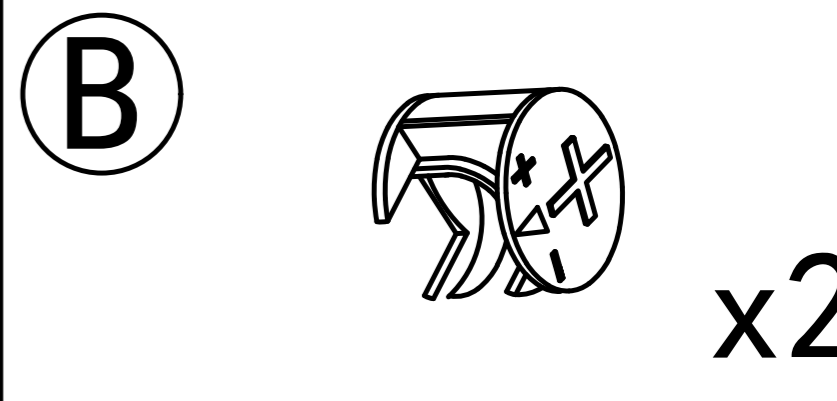
Step 16



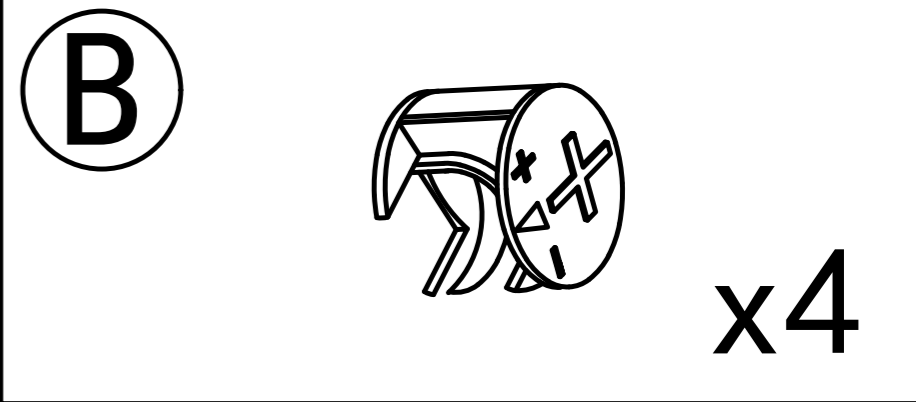
Step 17



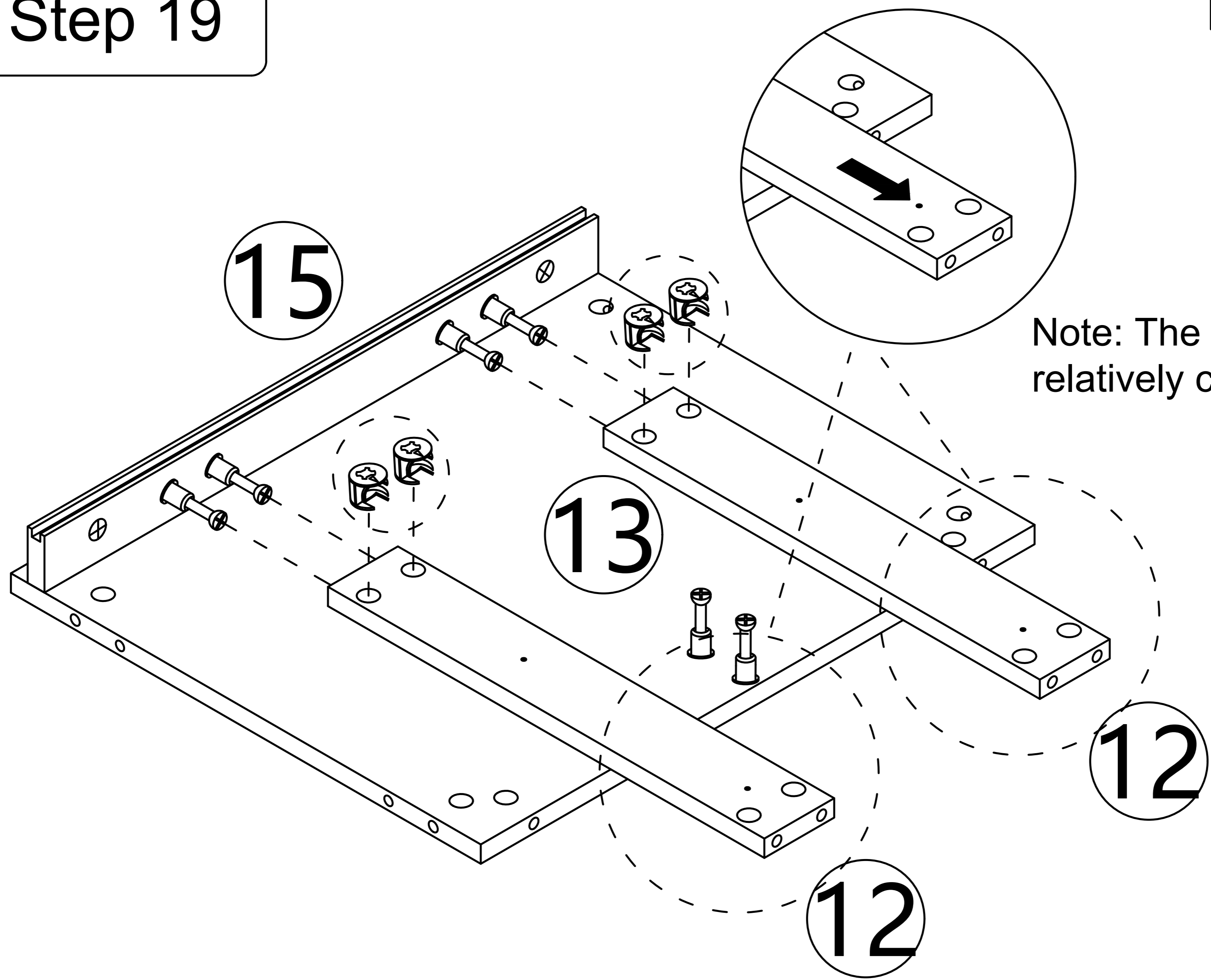
Step 18



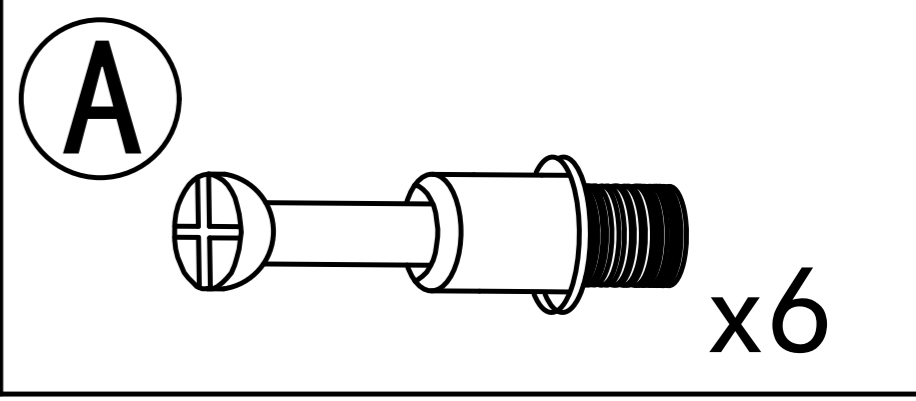
Step 19



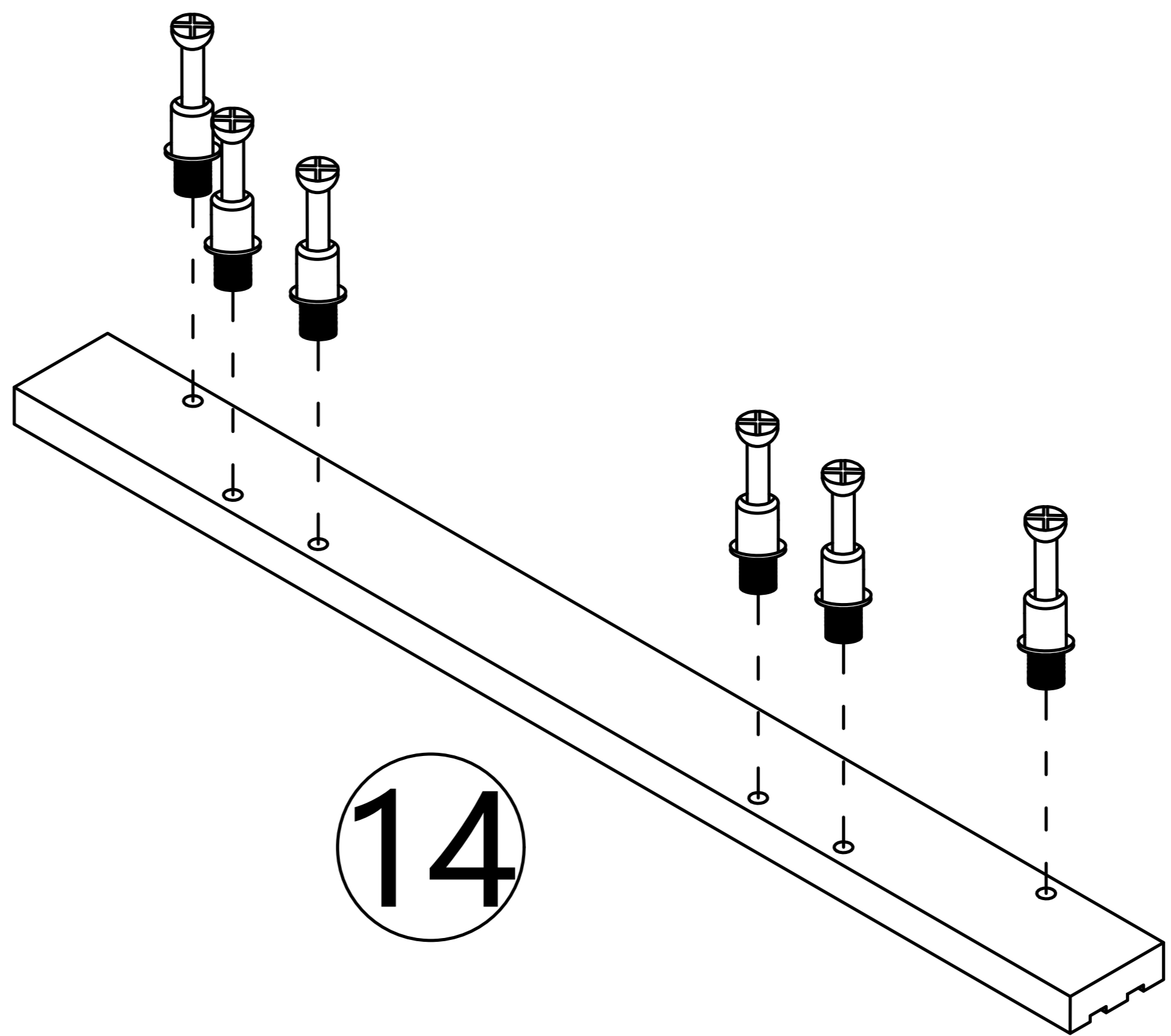
Step 19



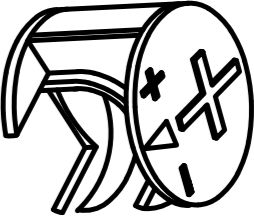
Step 20

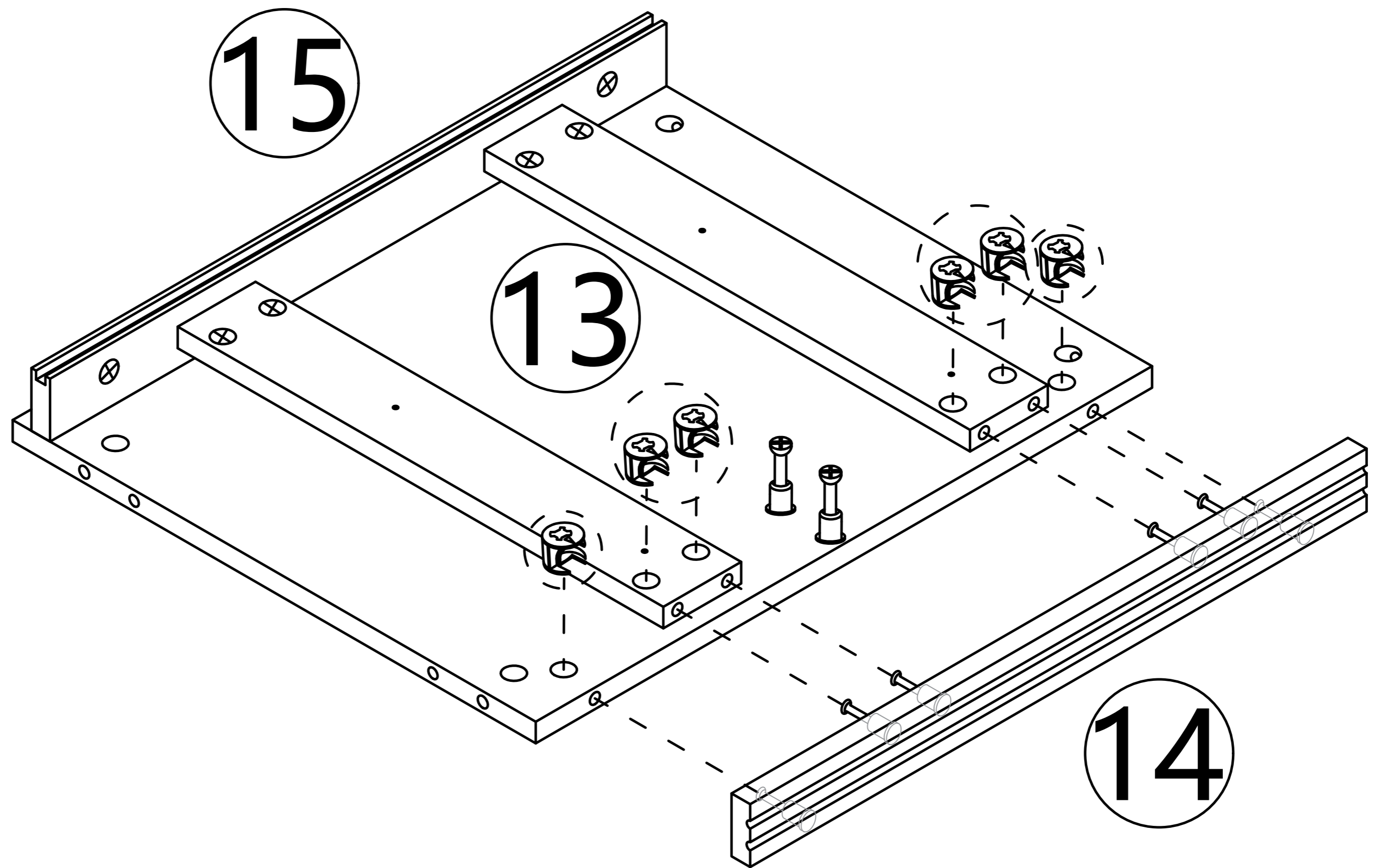


Step 20

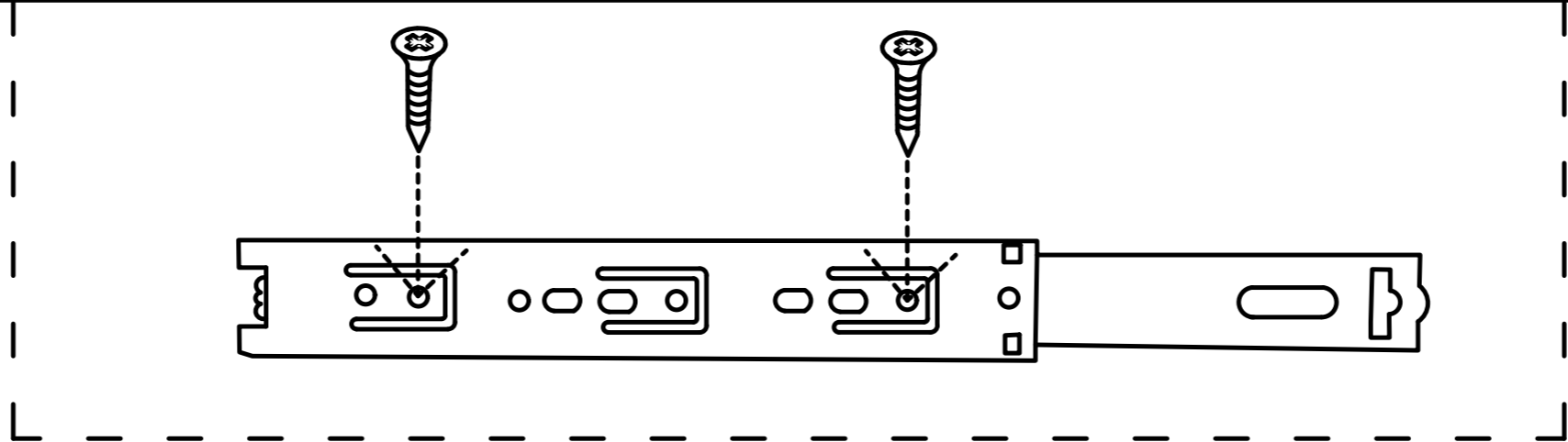


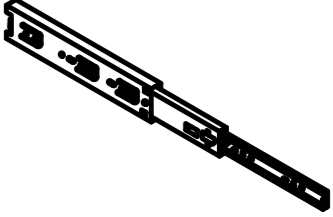
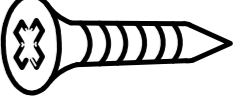
Step 21

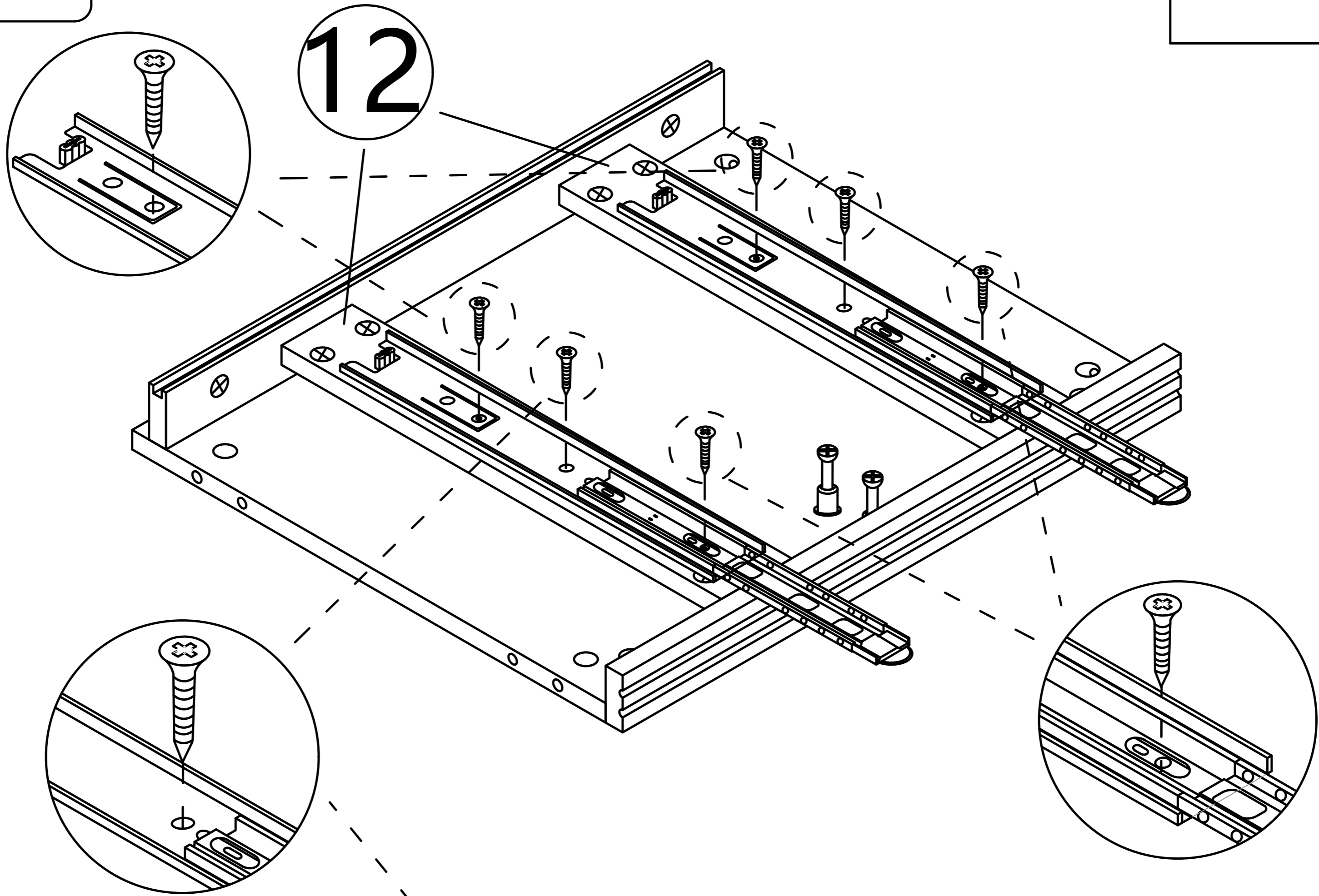
B  x6



Step 22

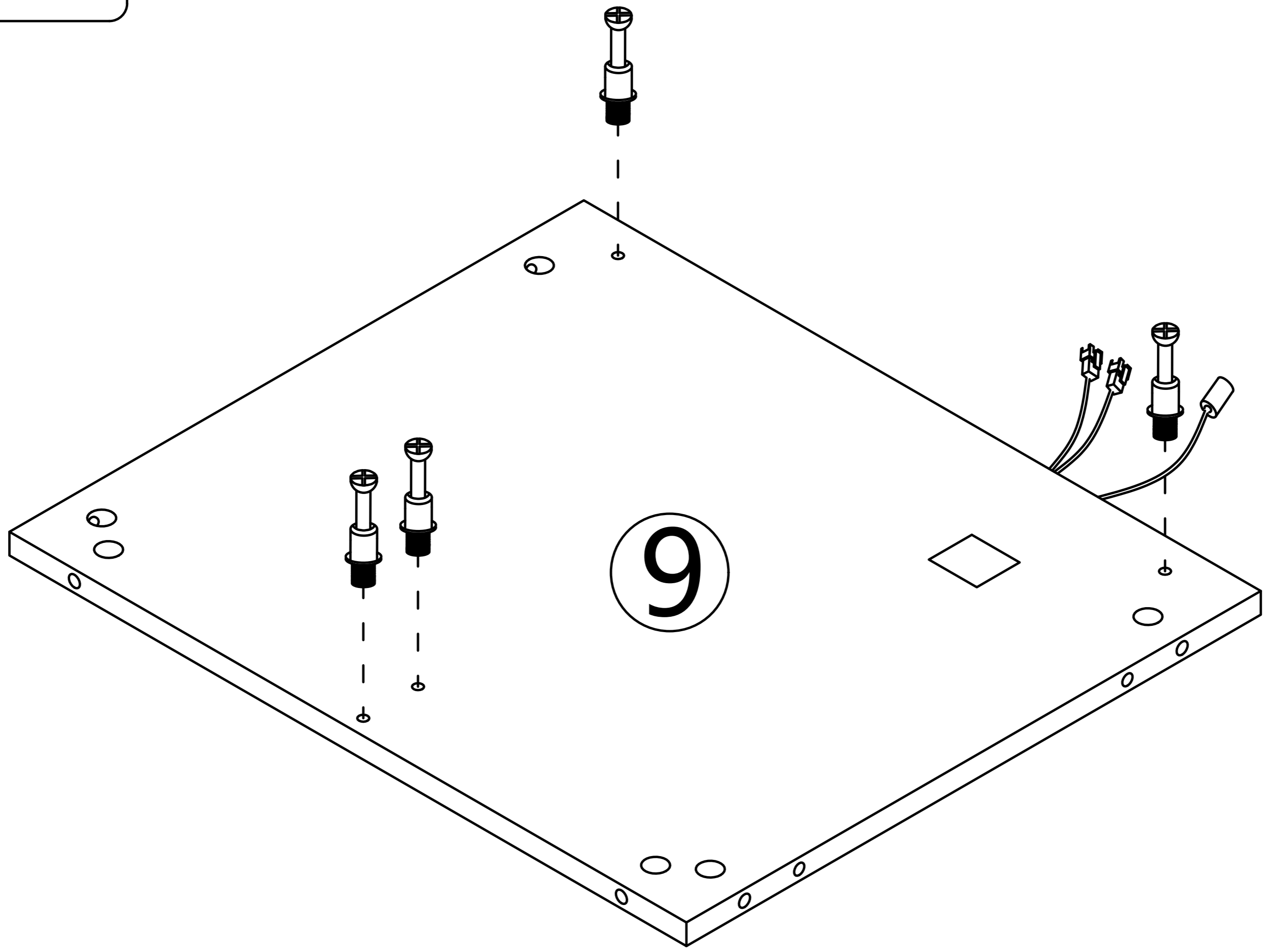
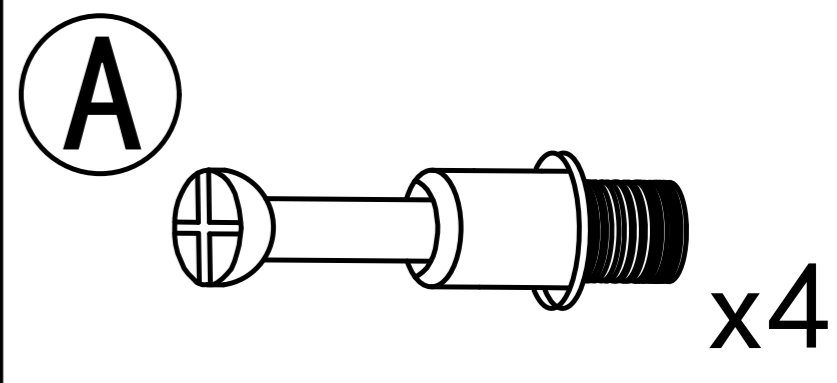


E  x2
 x6

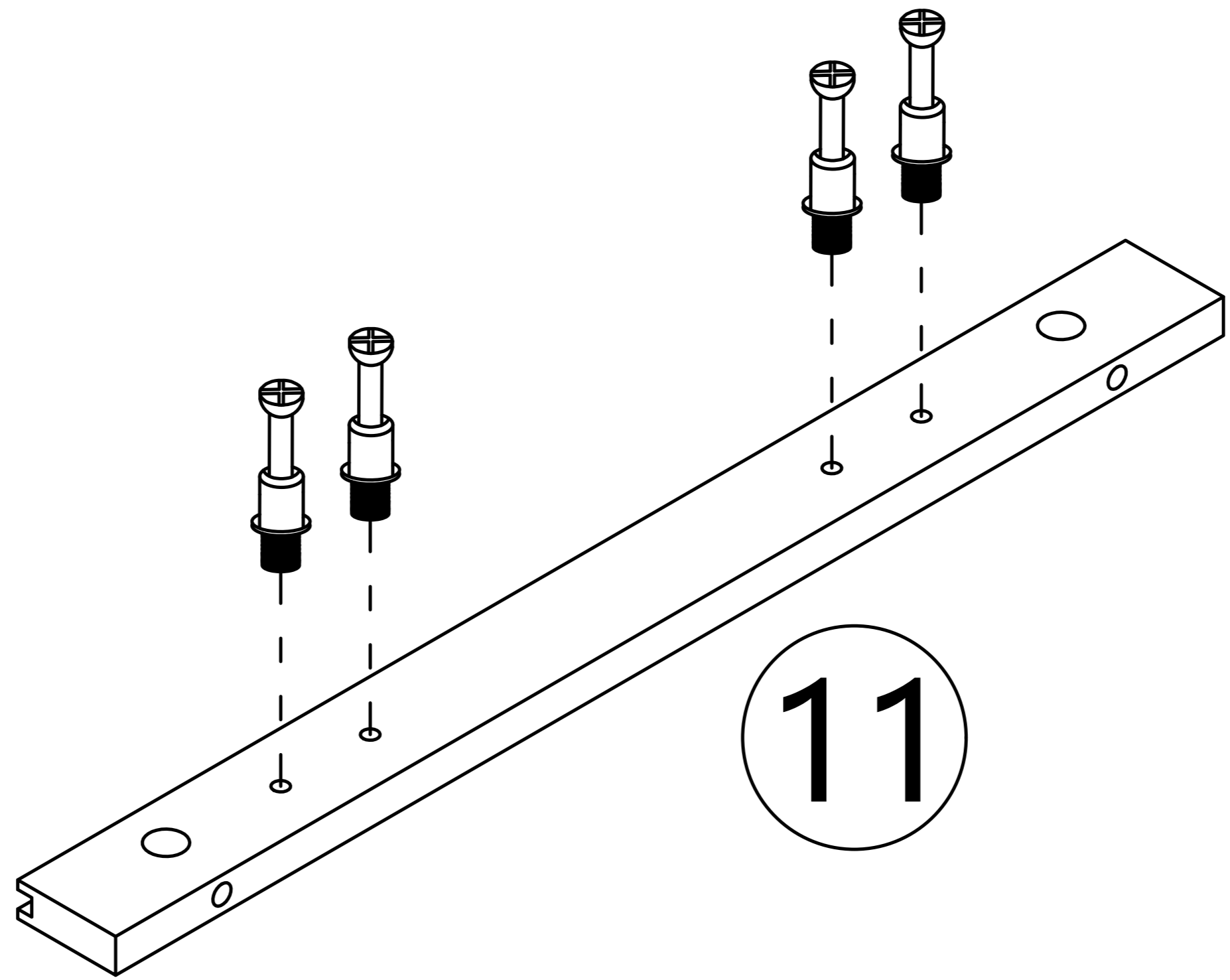
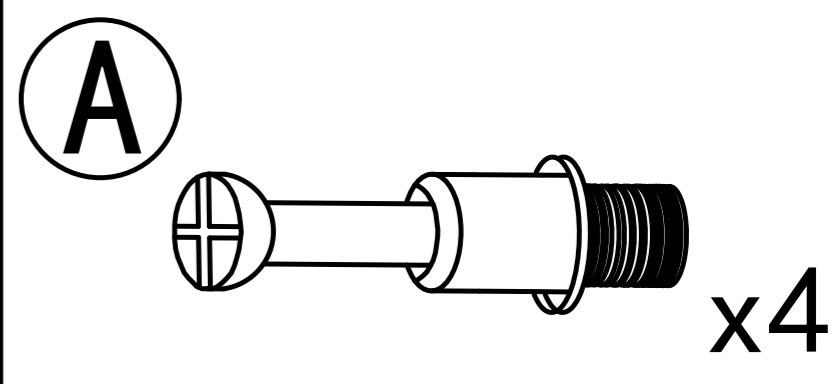


This hole is for strengthening fixed hole customers can choose to install according to their needs.

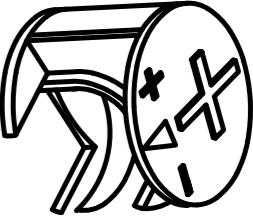
Step 23

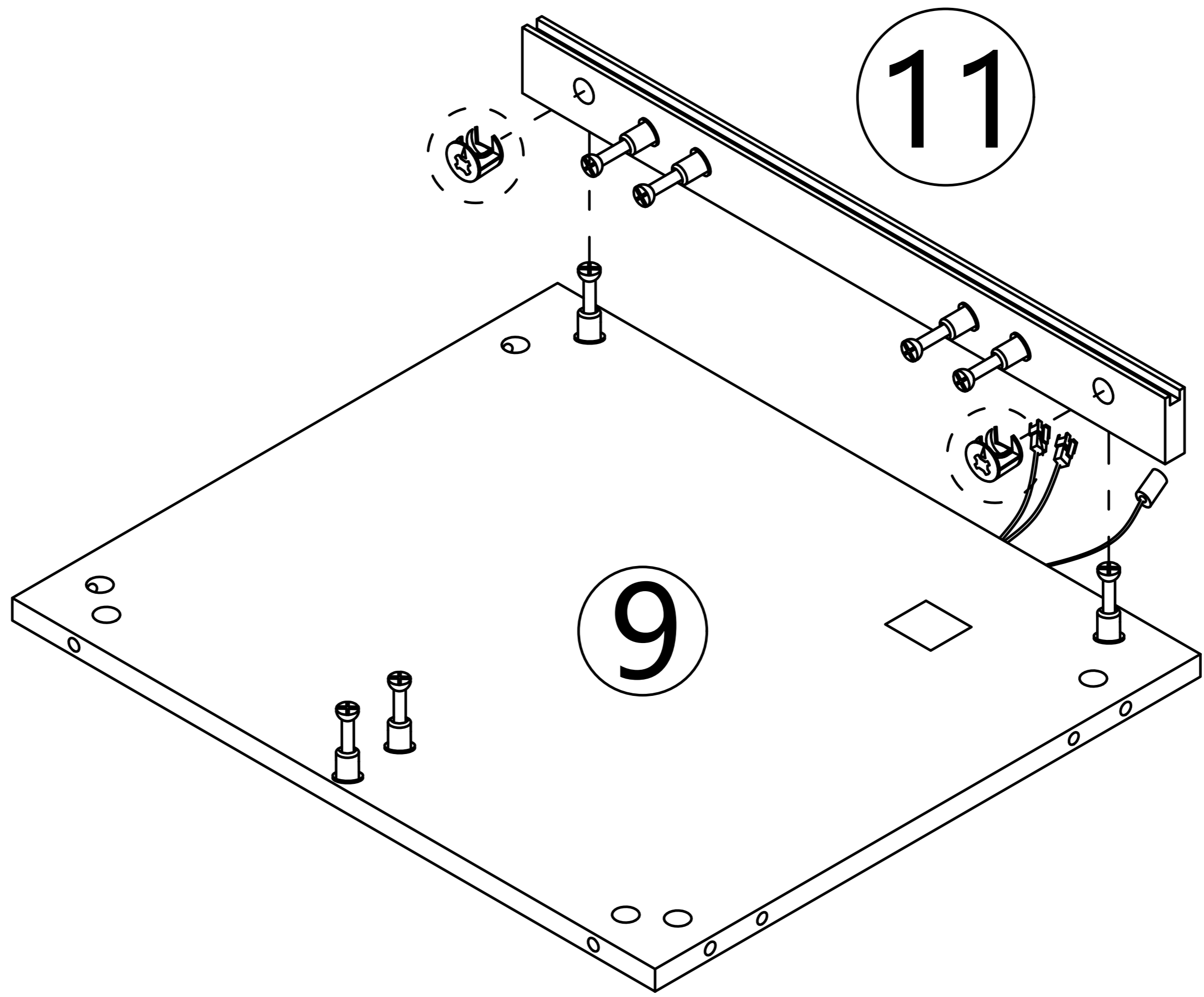


Step 24

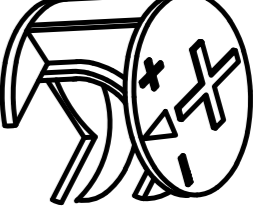


Step 25

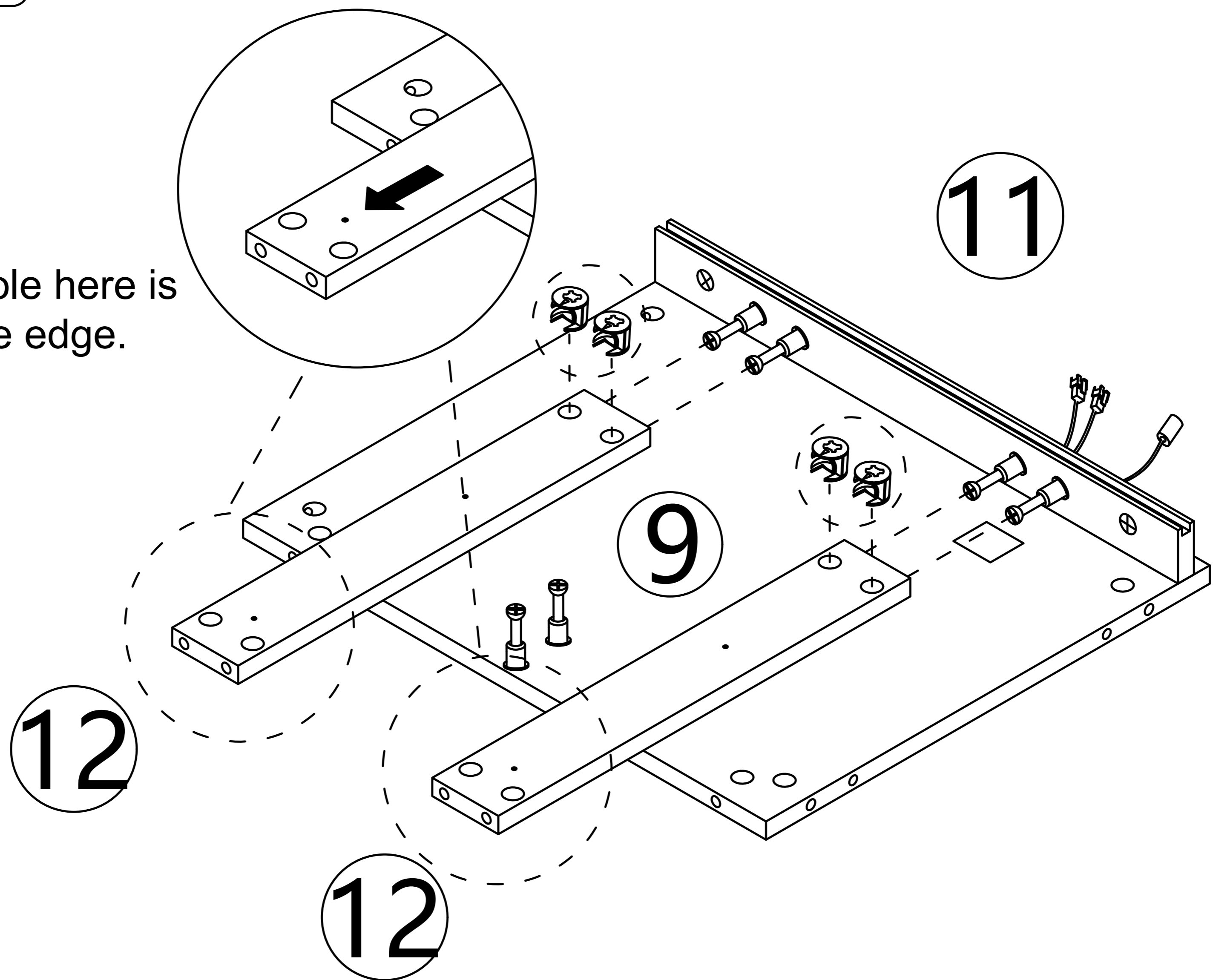
B  x2



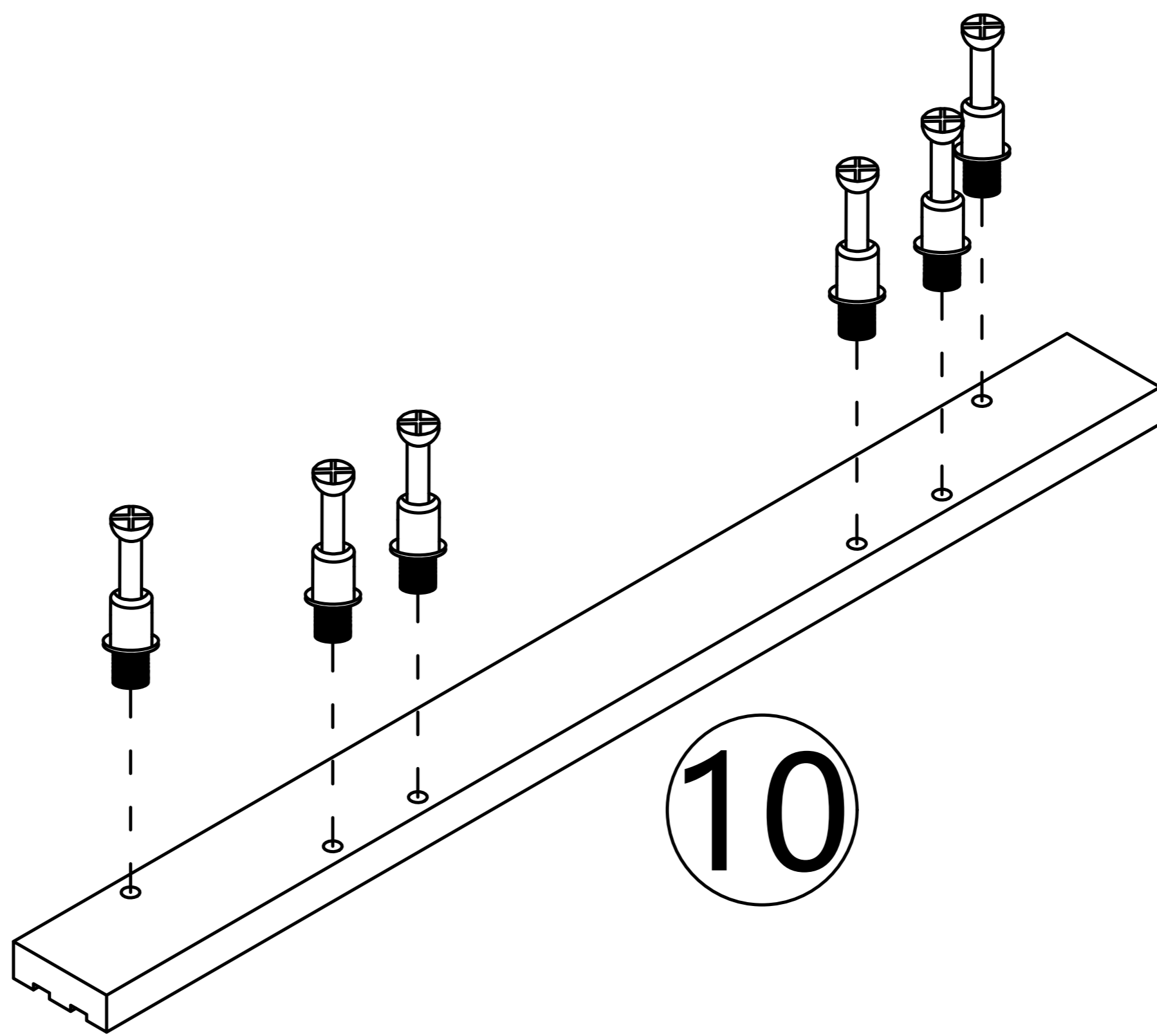
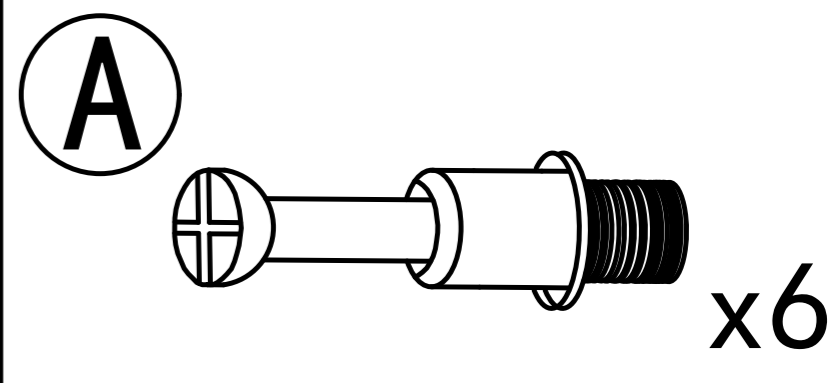
Step 26

B  x4

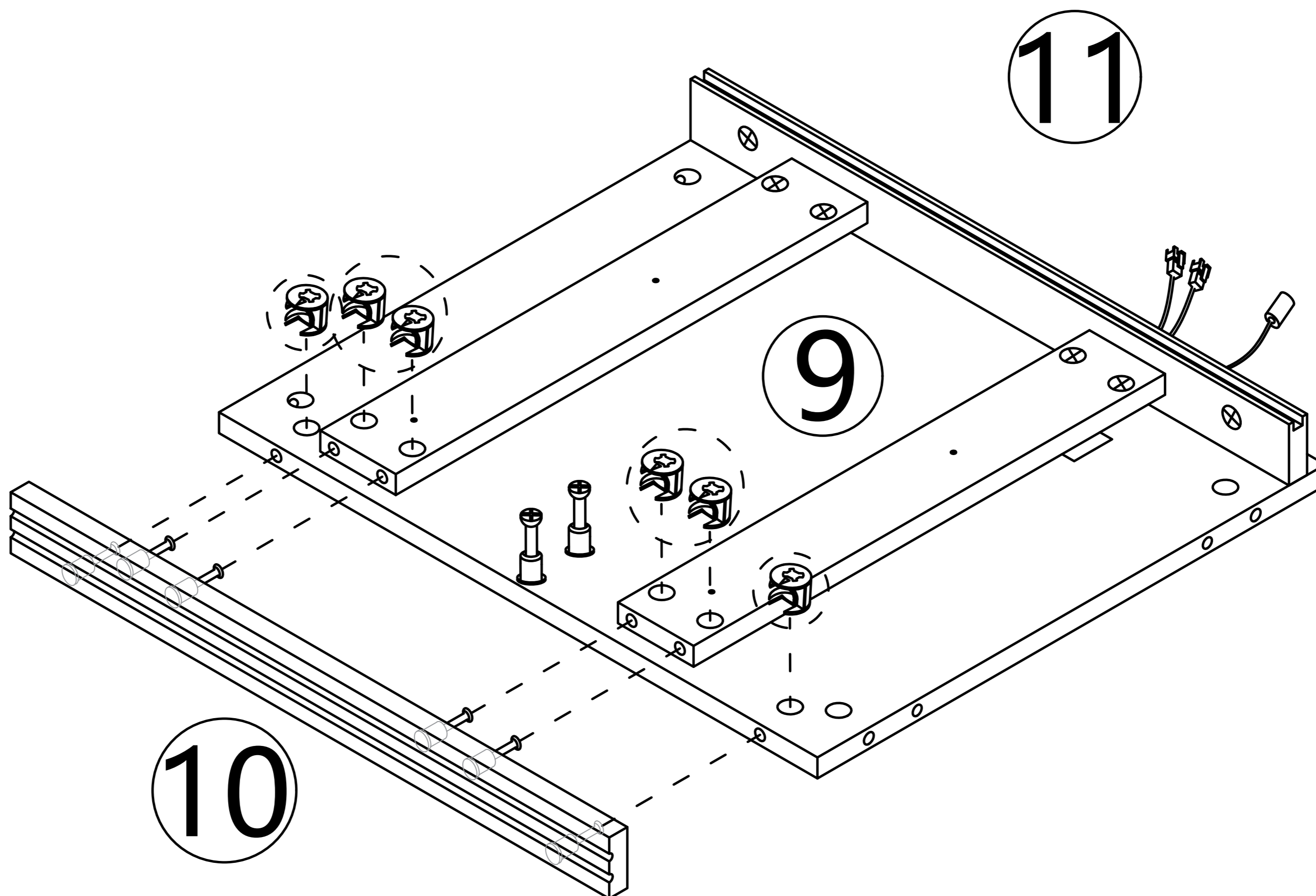
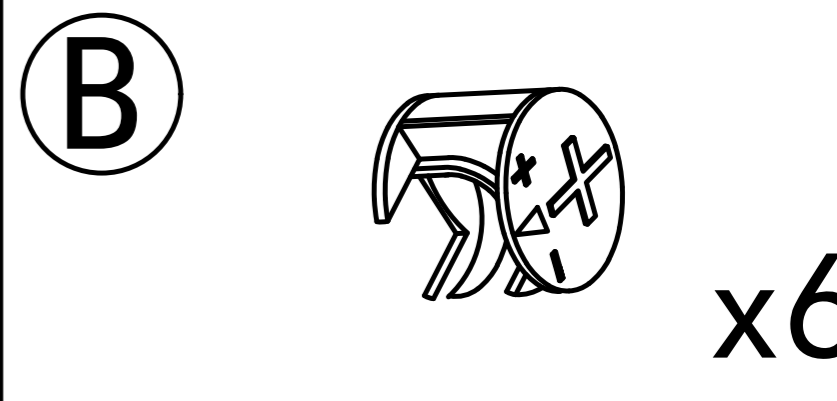
Note: The guiding hole here is relatively close to the edge.



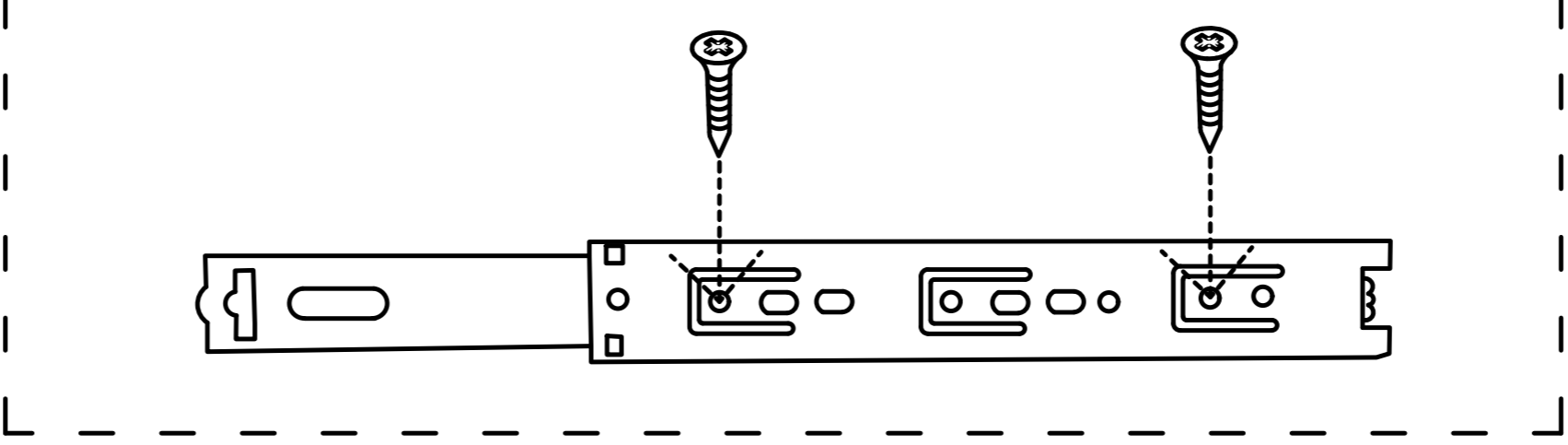
Step 27

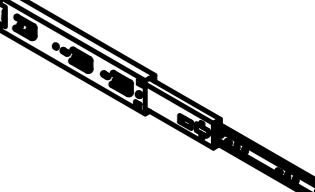
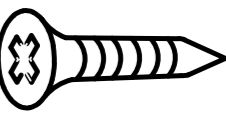


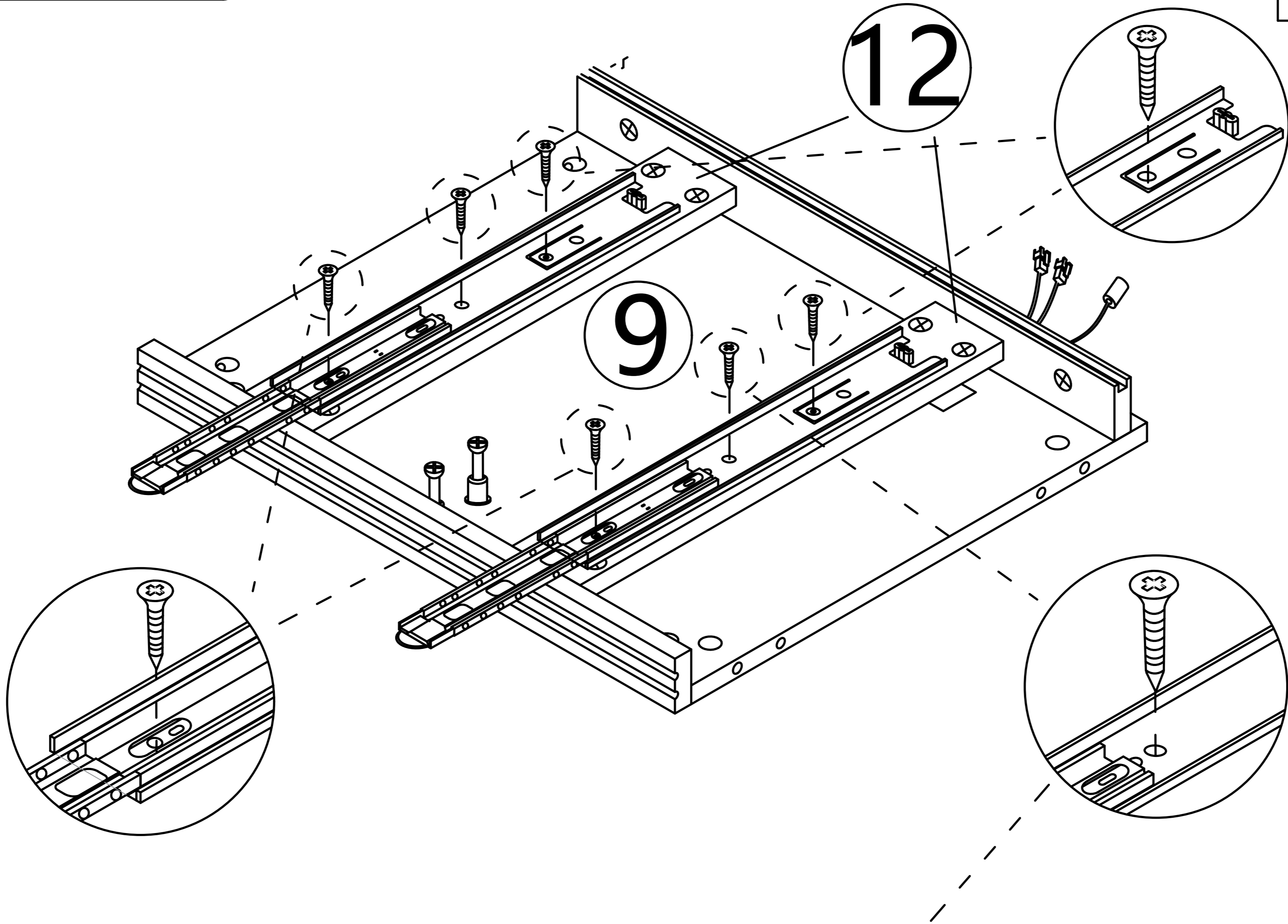
Step 28



Step 29

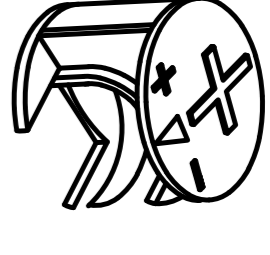


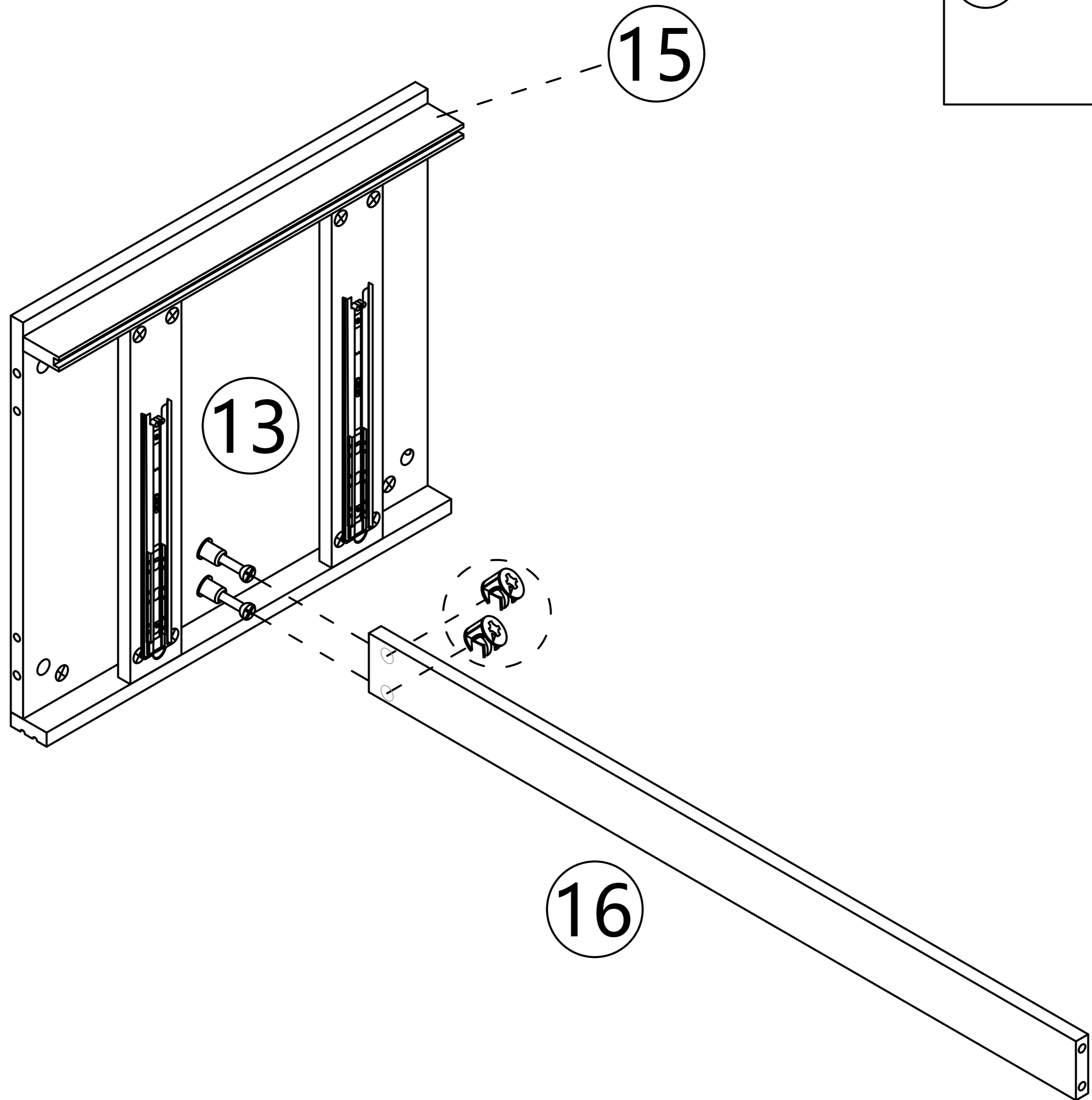
- (E)  x2
-  x6



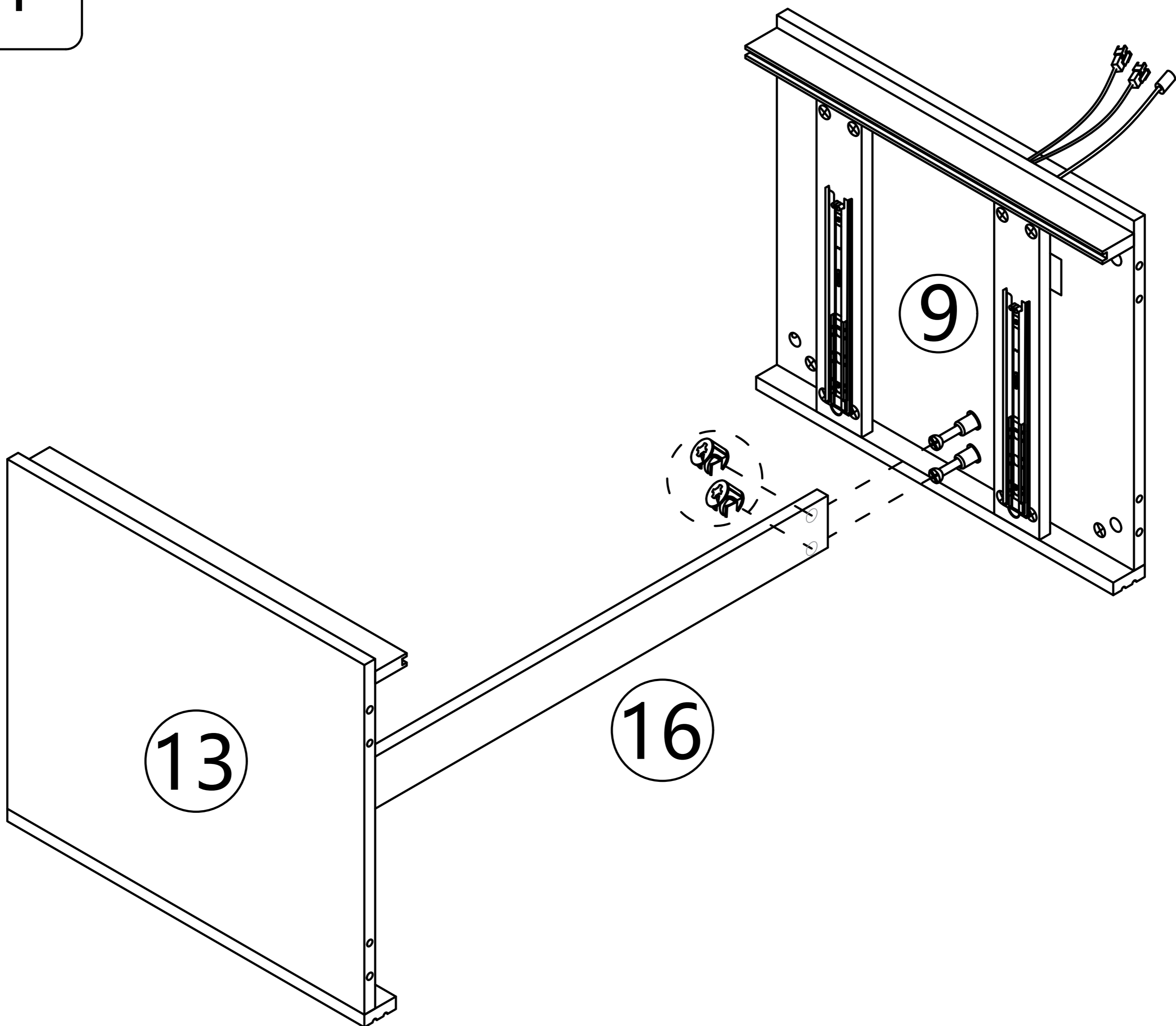
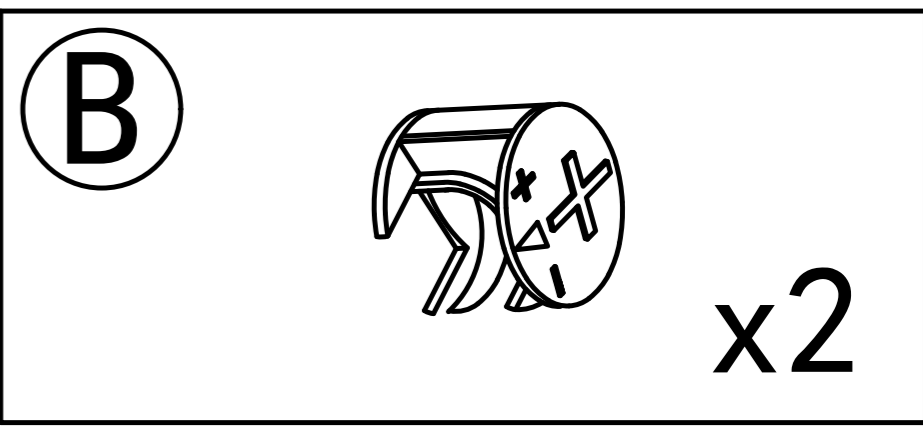
This hole is for strengthening fixed hole customers can choose to install according to their needs.

Step 30

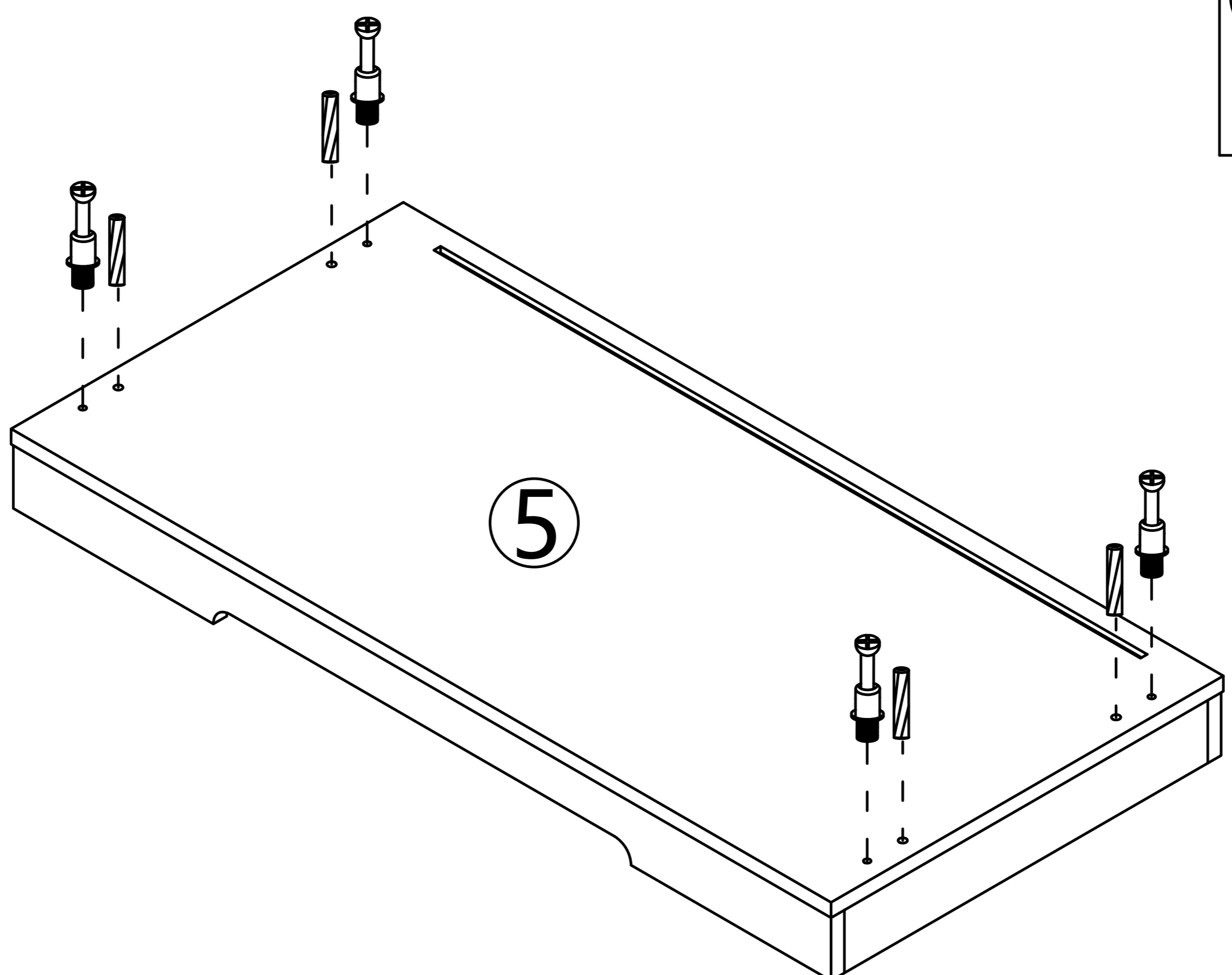
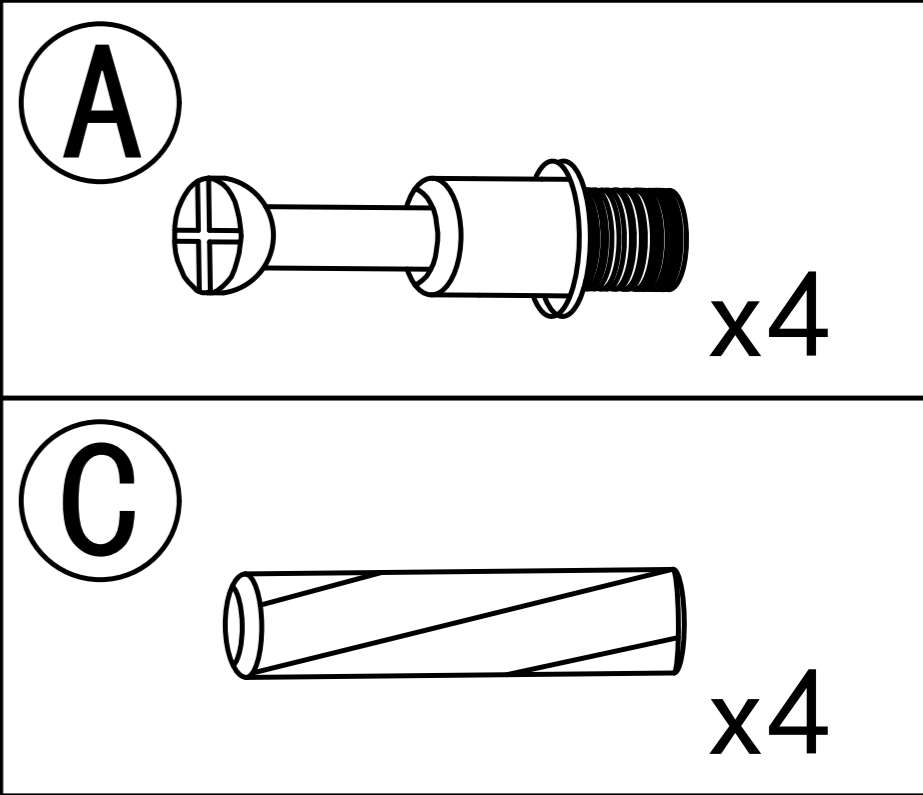
- (B)  x2



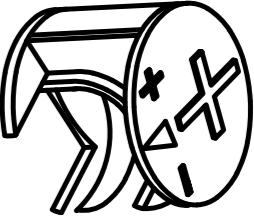
Step 31

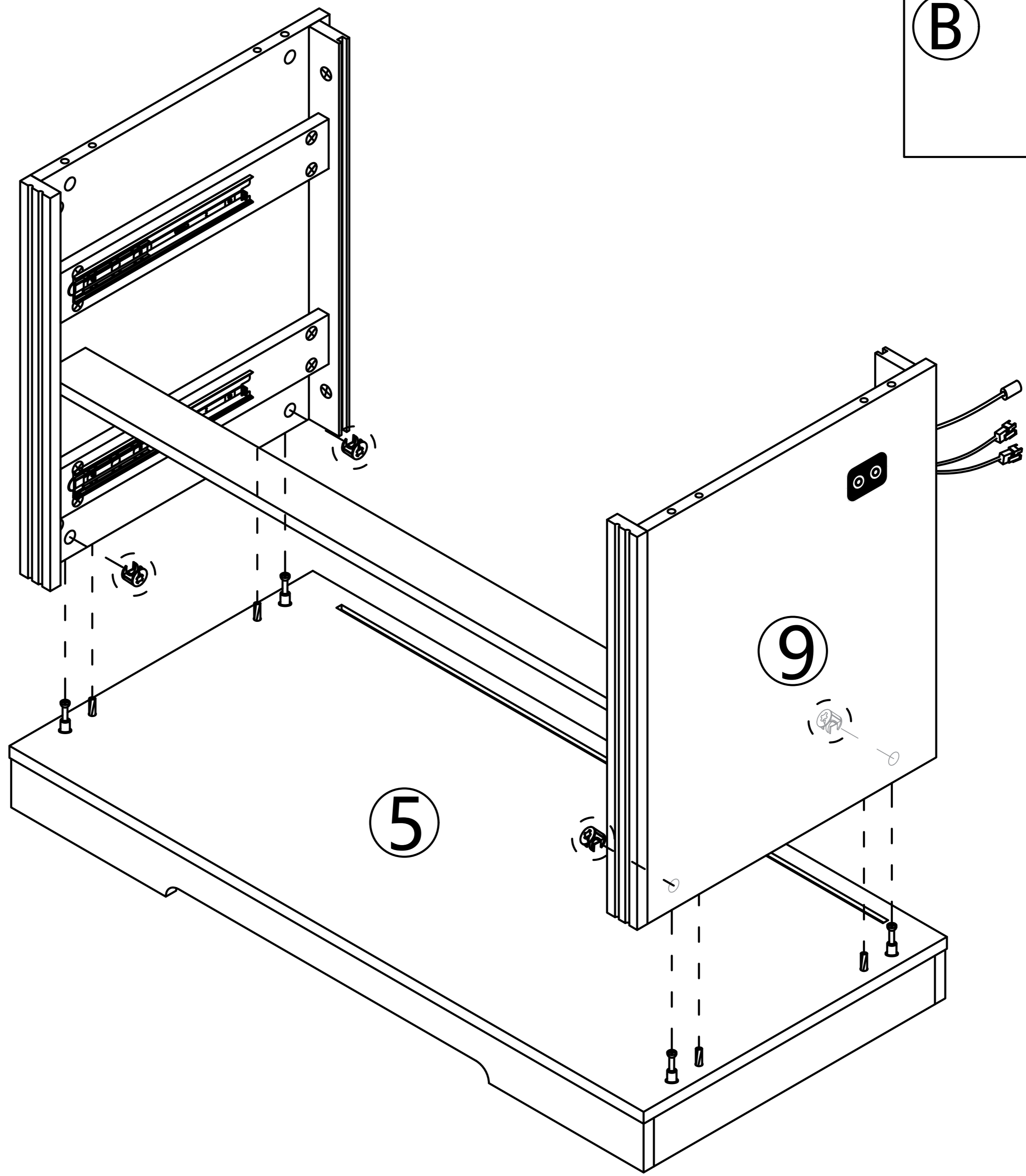


Step 32




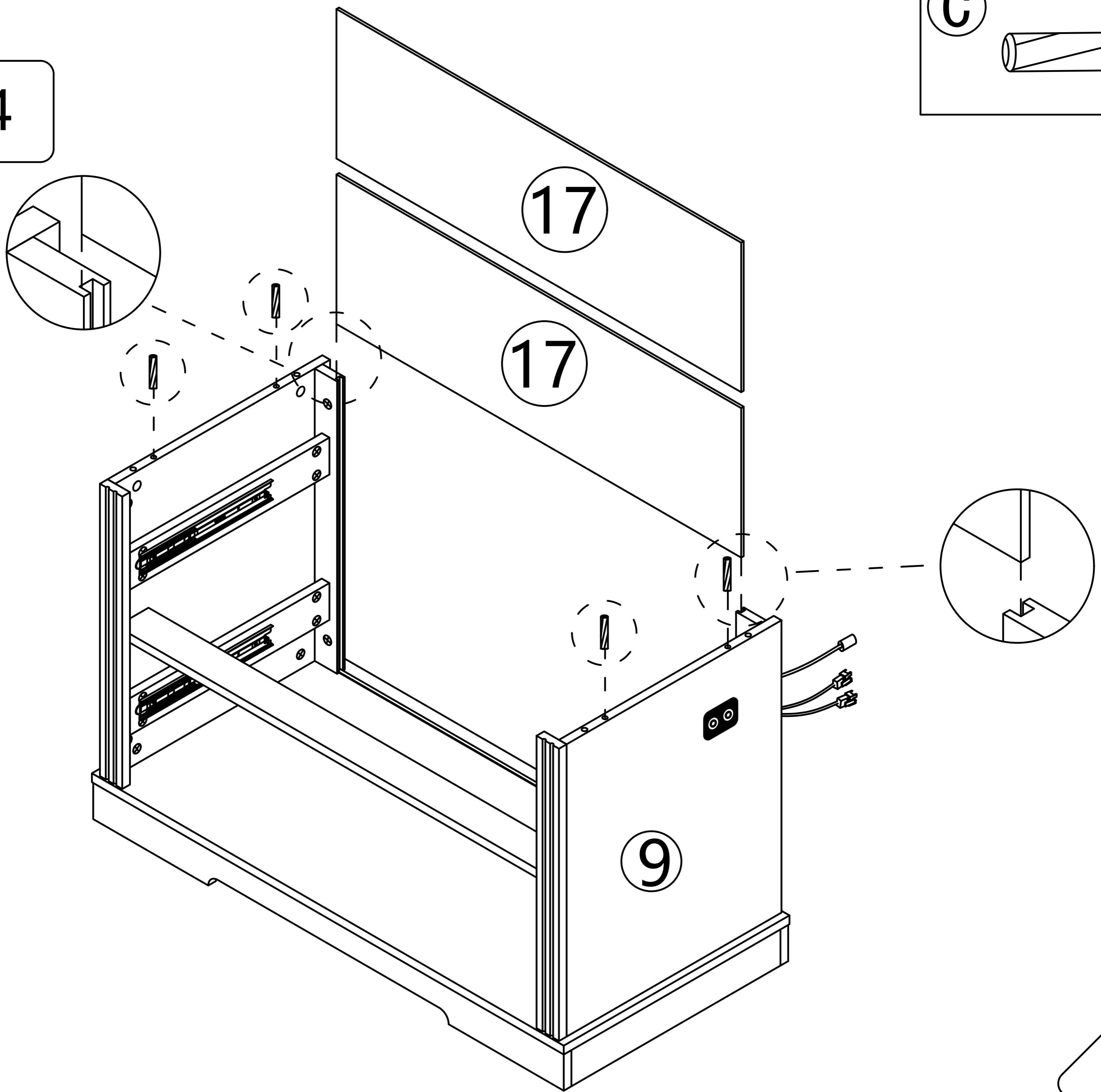
Step 33

B  x4

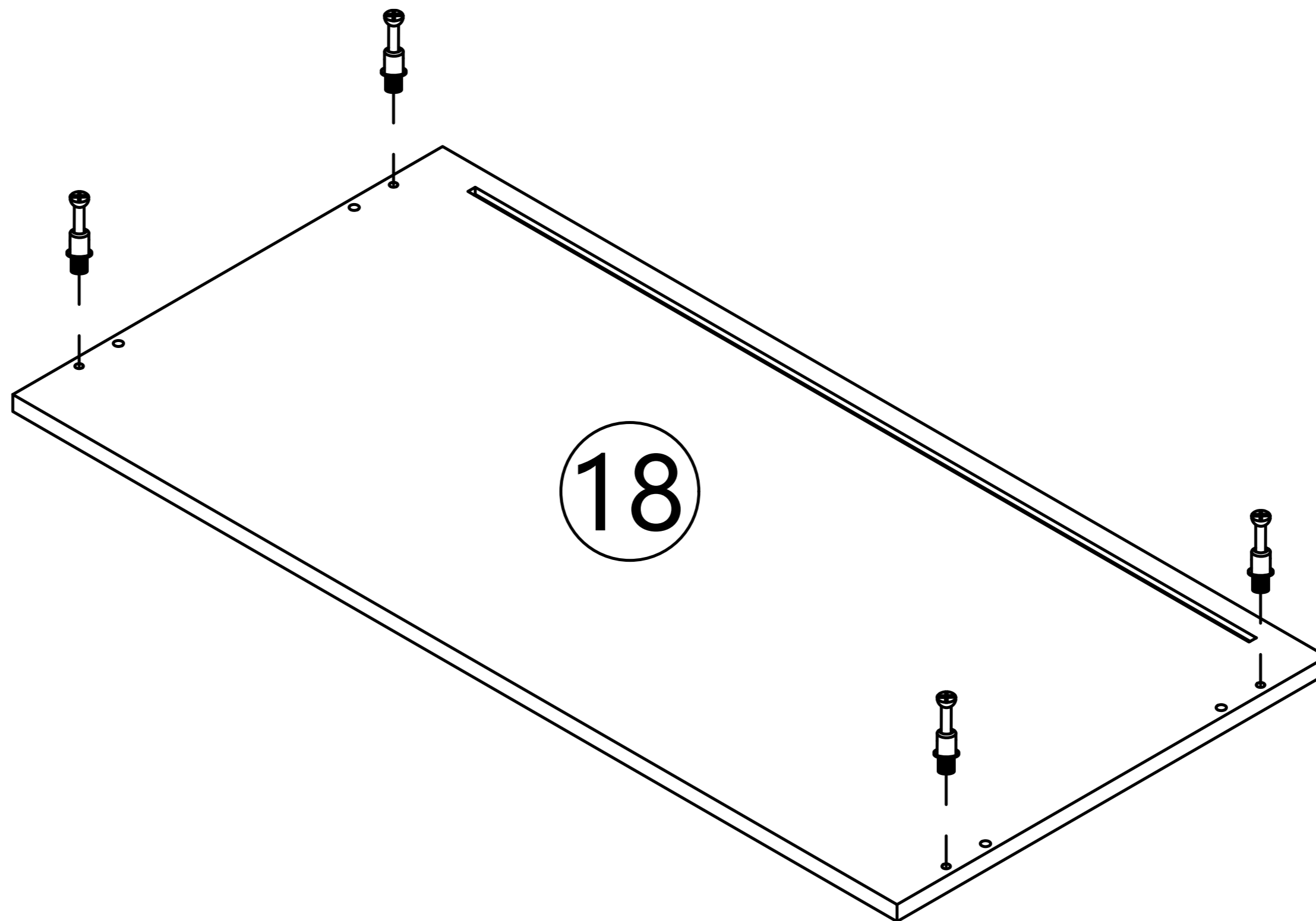
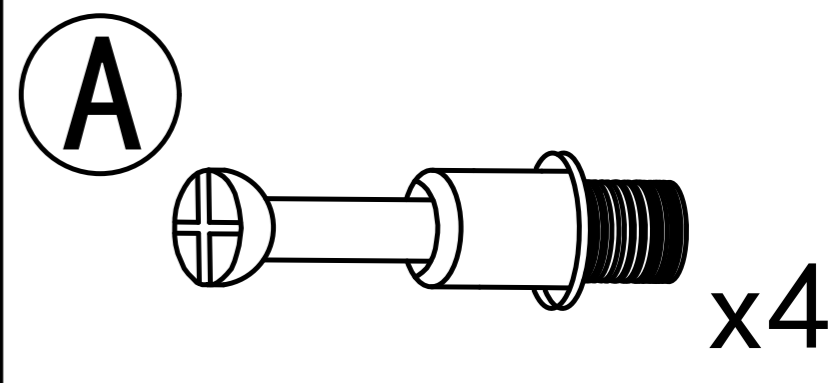


Step 34

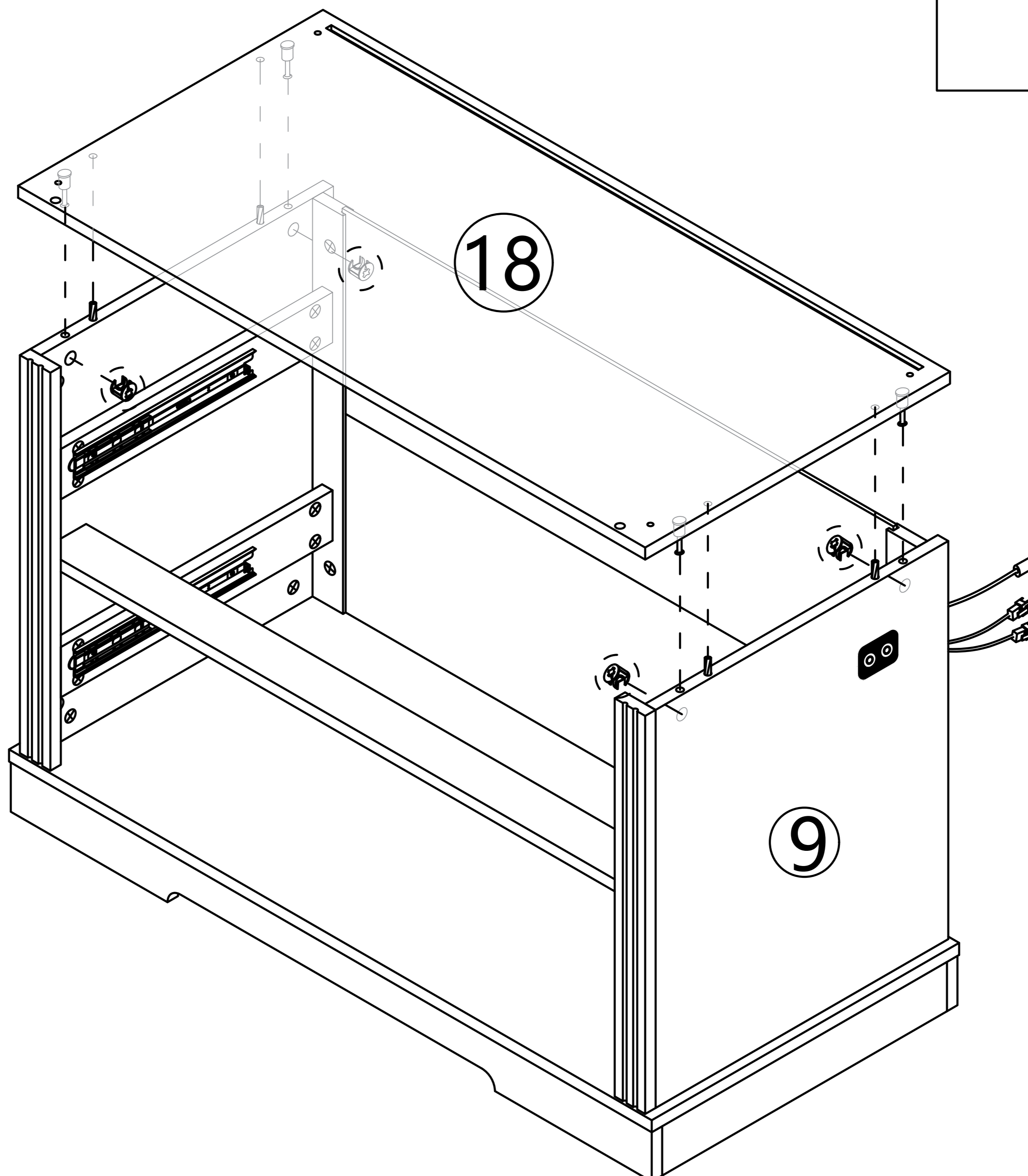
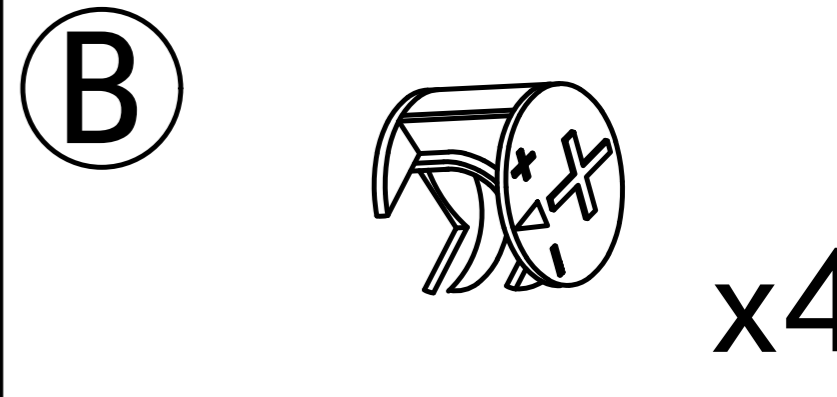
C  x4

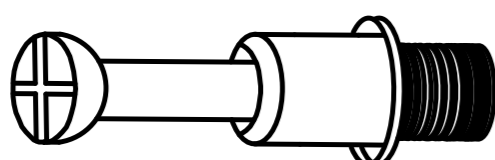
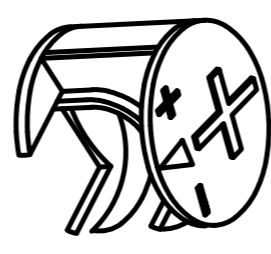
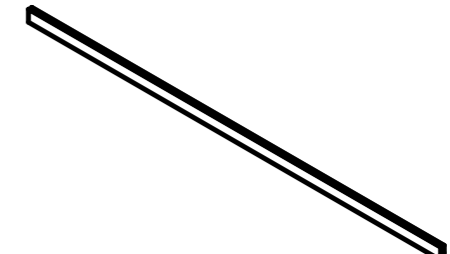
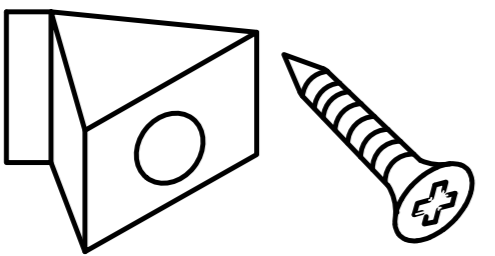
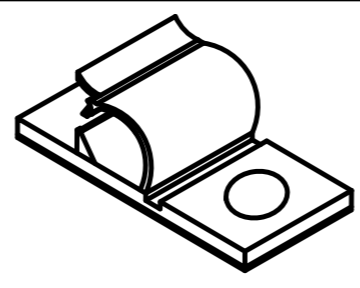
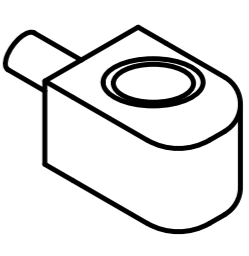
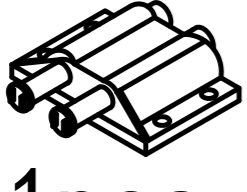

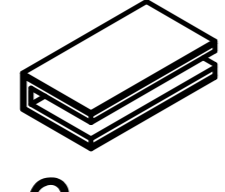
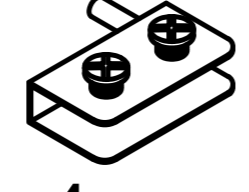

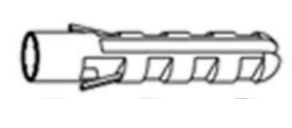

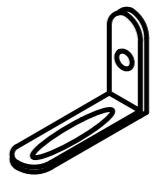

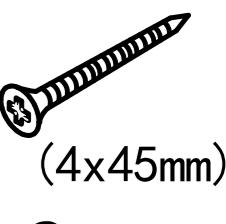


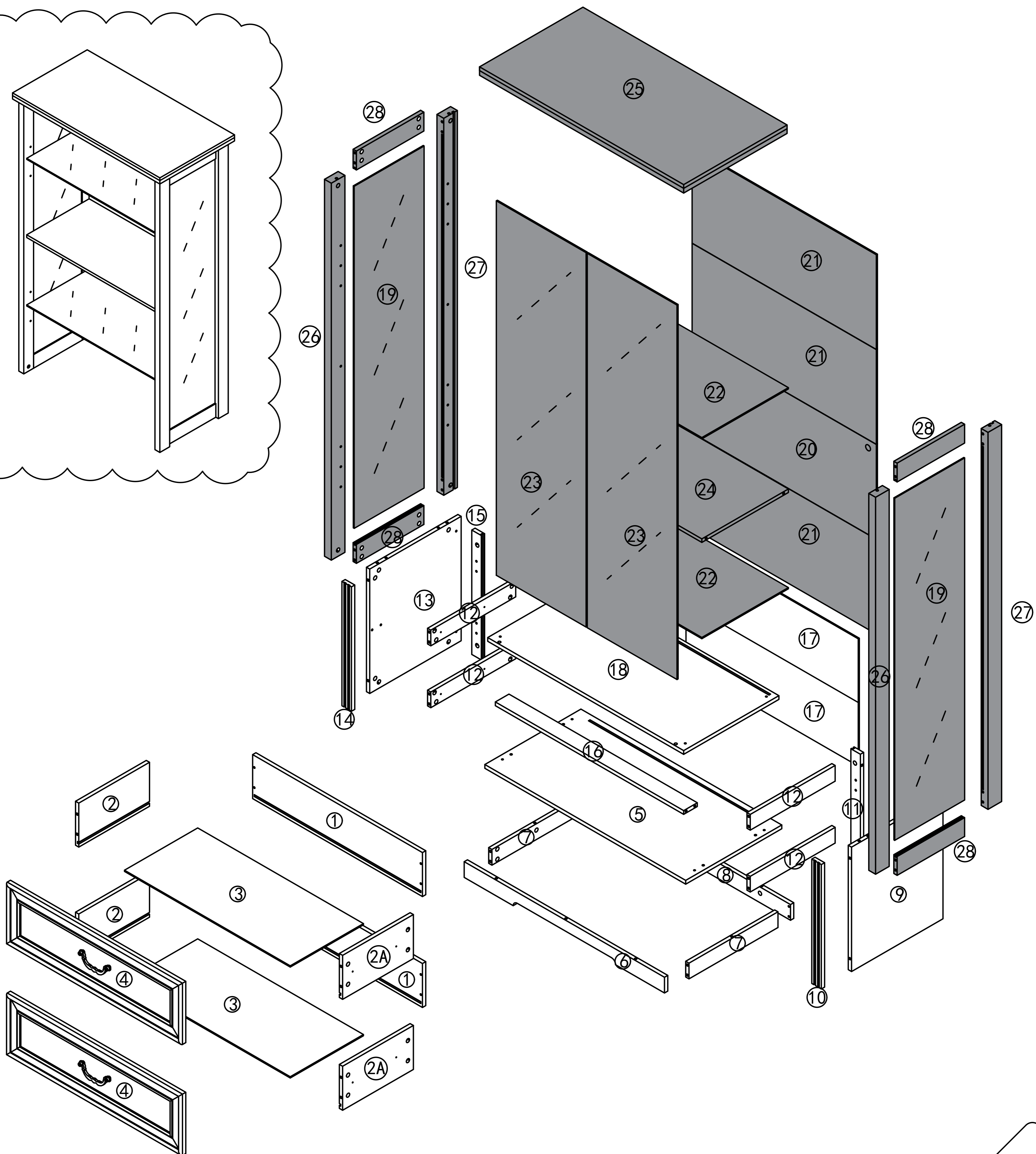
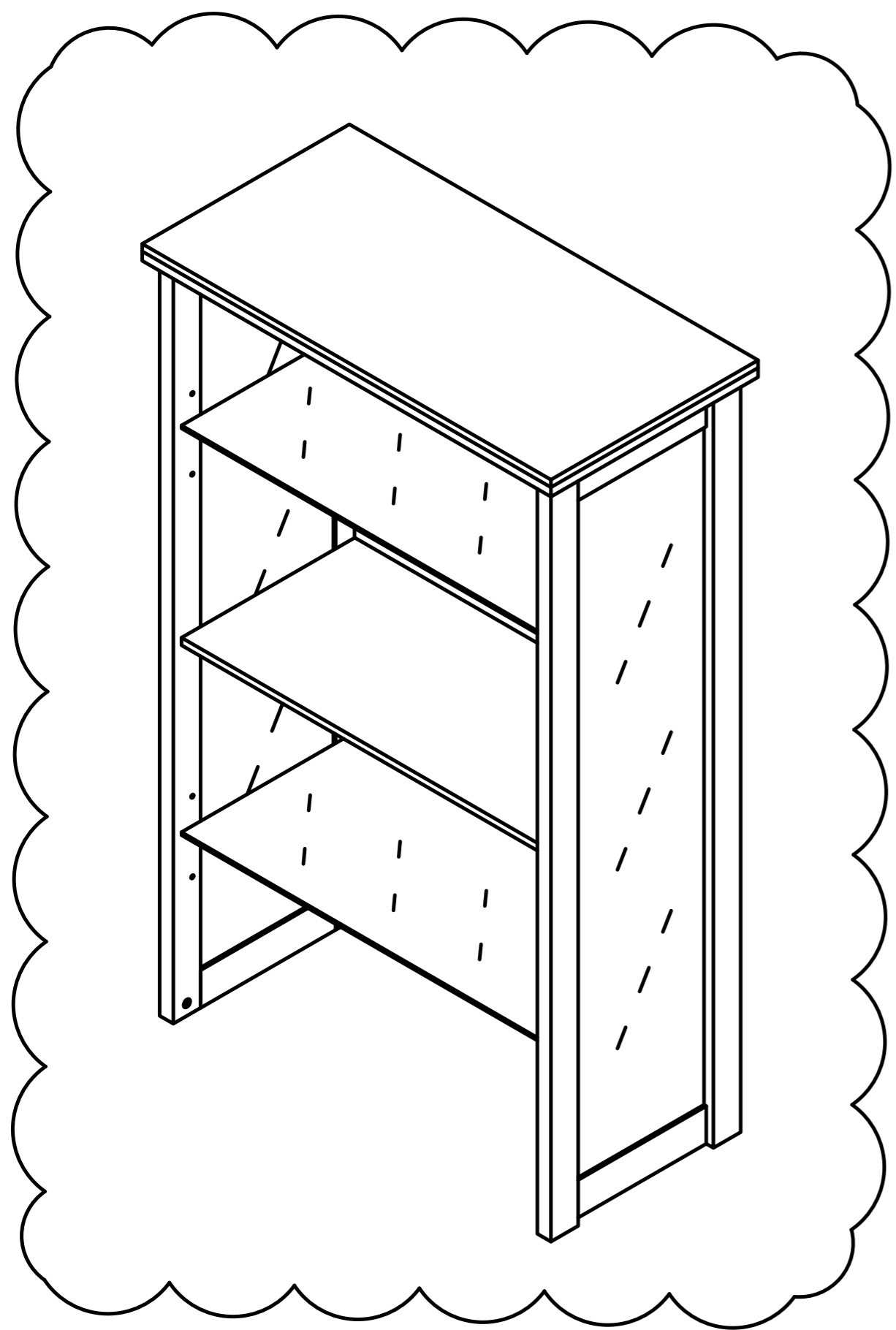
Step 35



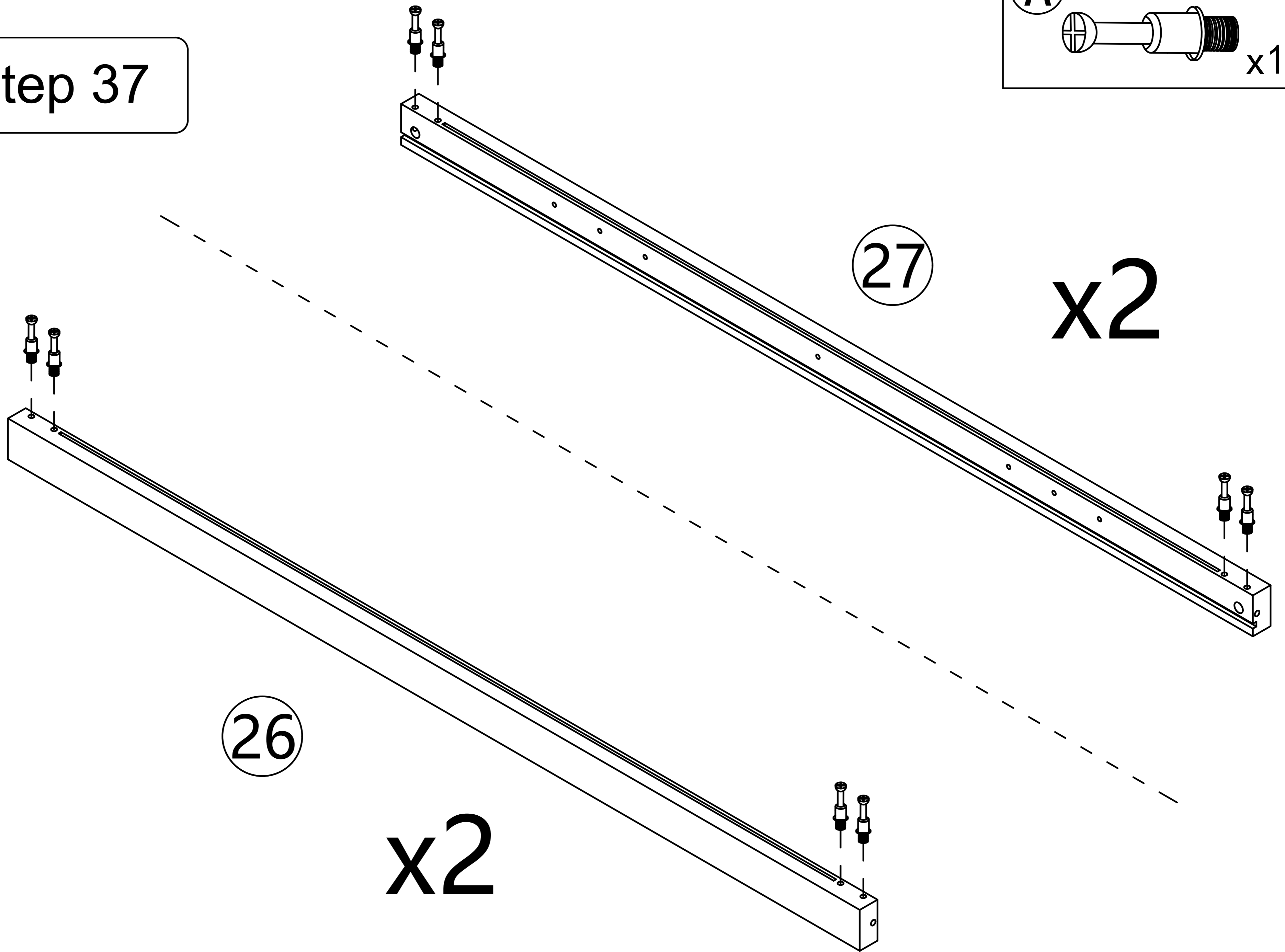
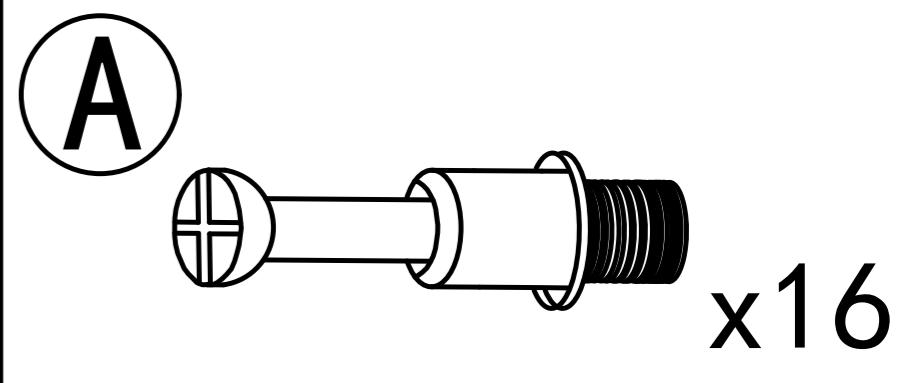
Step 36



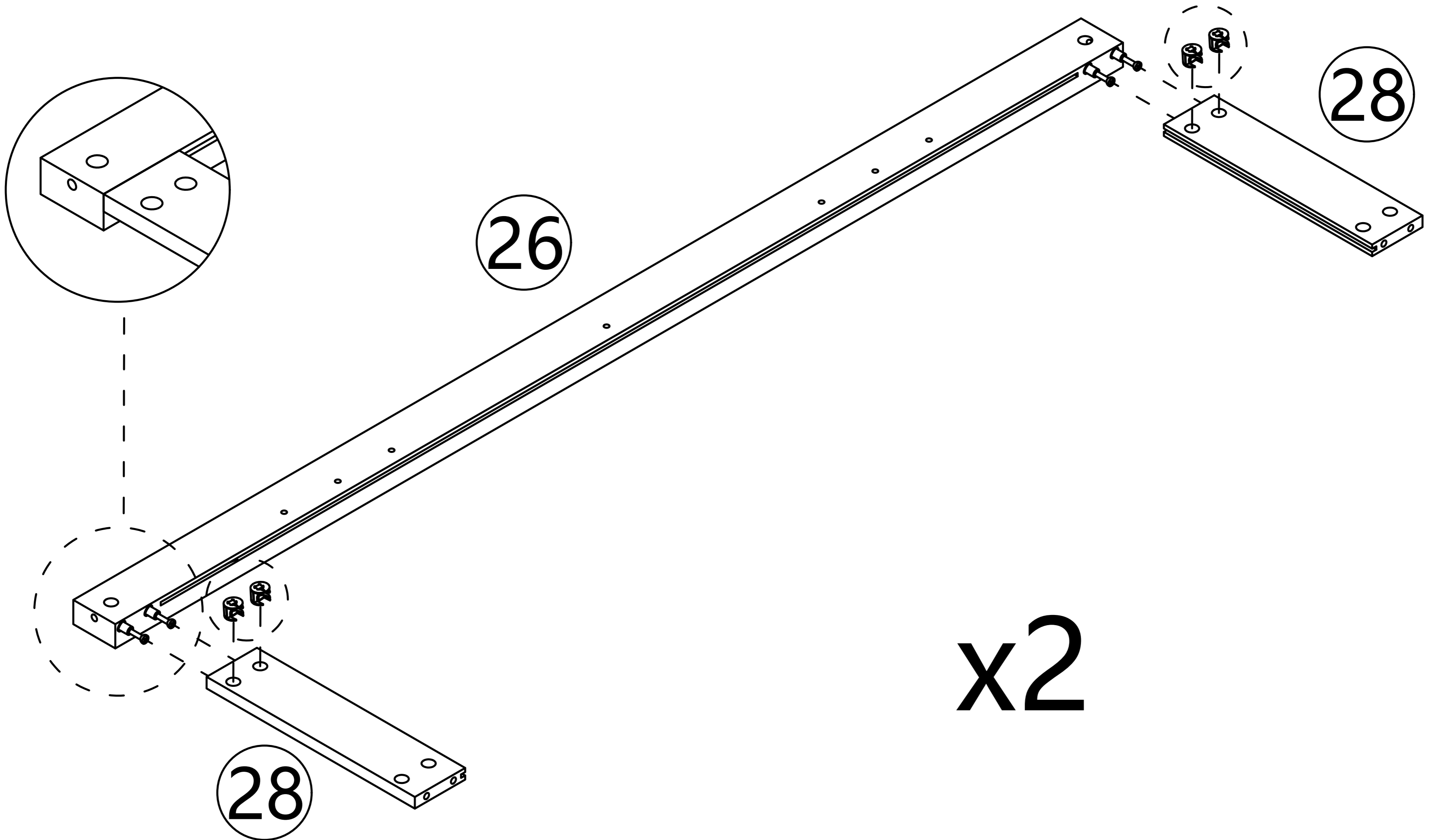
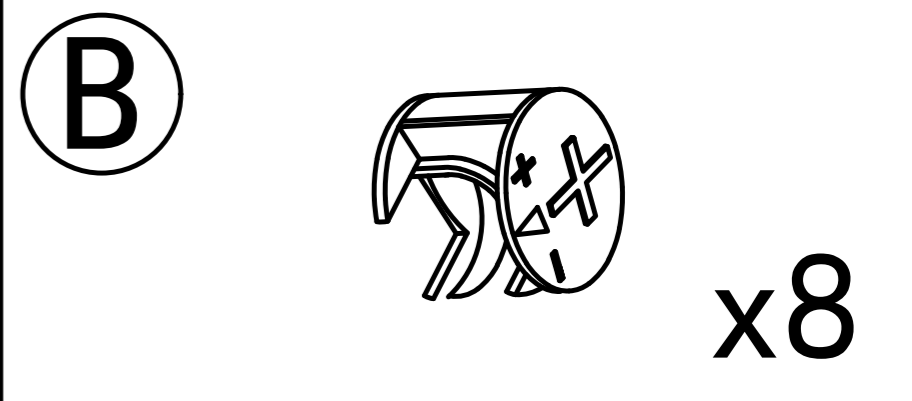
A		28pcs	B		28pcs	G		2pcs													
H		20pcs	I		5pcs	J		8pcs													
K		1pcs		4pcs		2pcs		4pcs		4pcs	L		2pcs		4pcs		2pcs		2pcs		2pcs



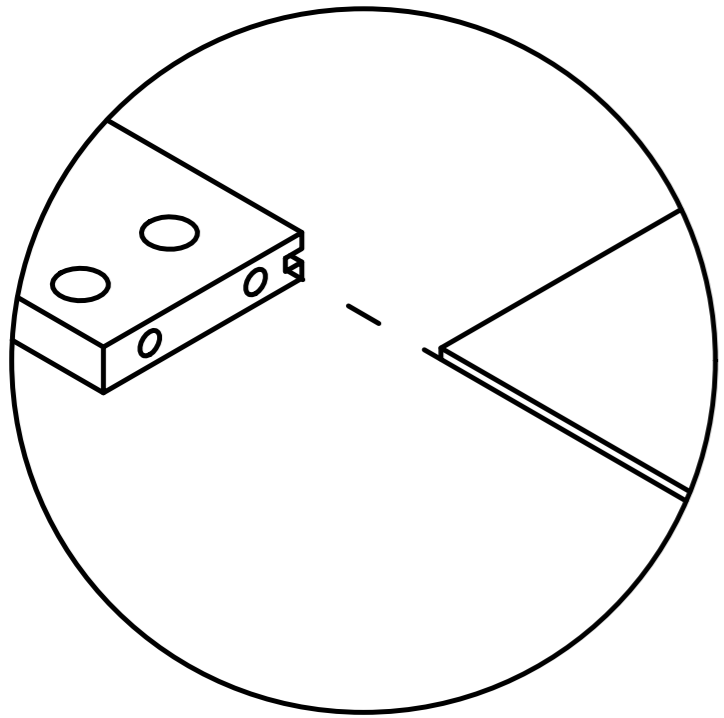
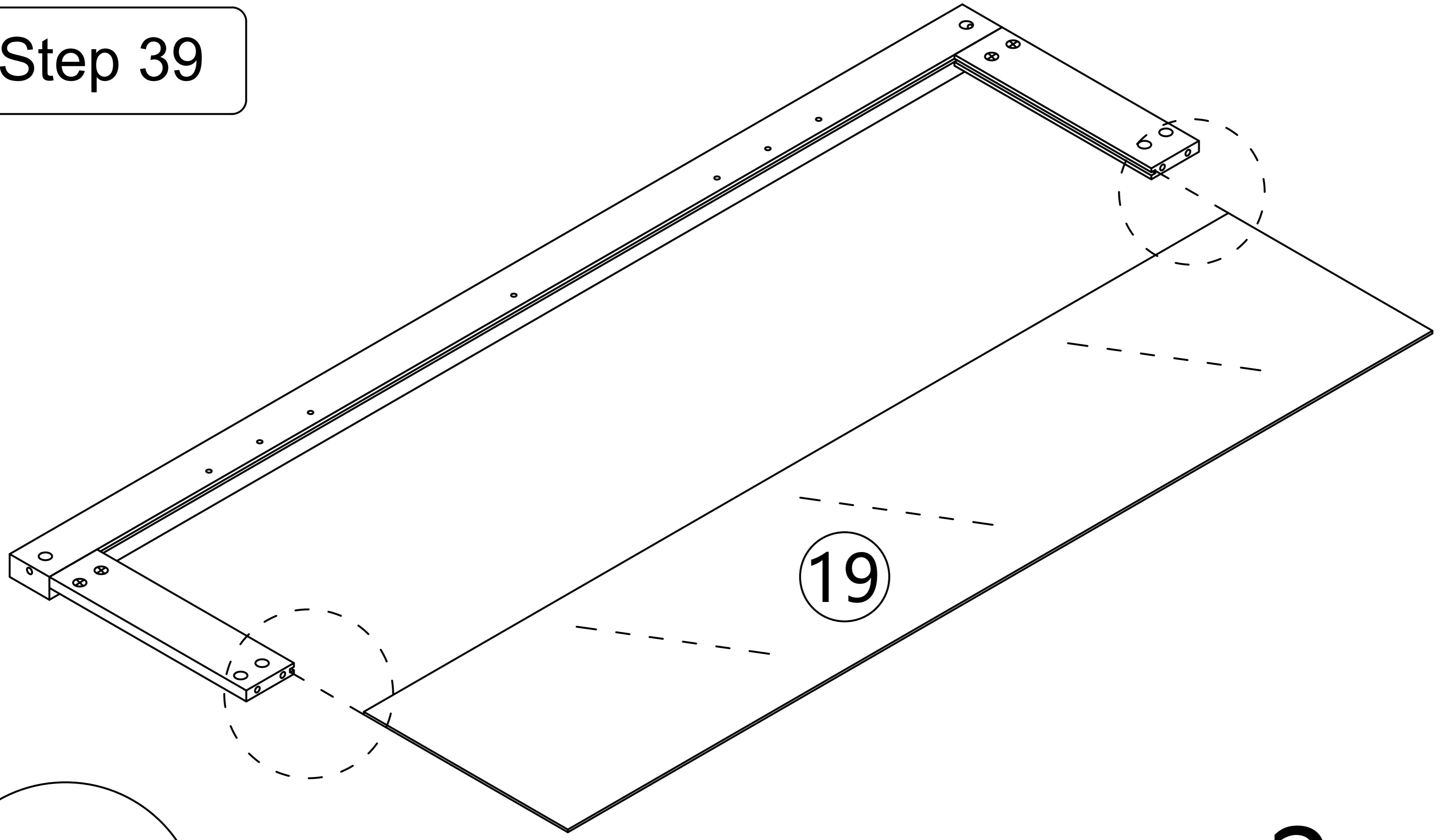
Step 37



Step 38



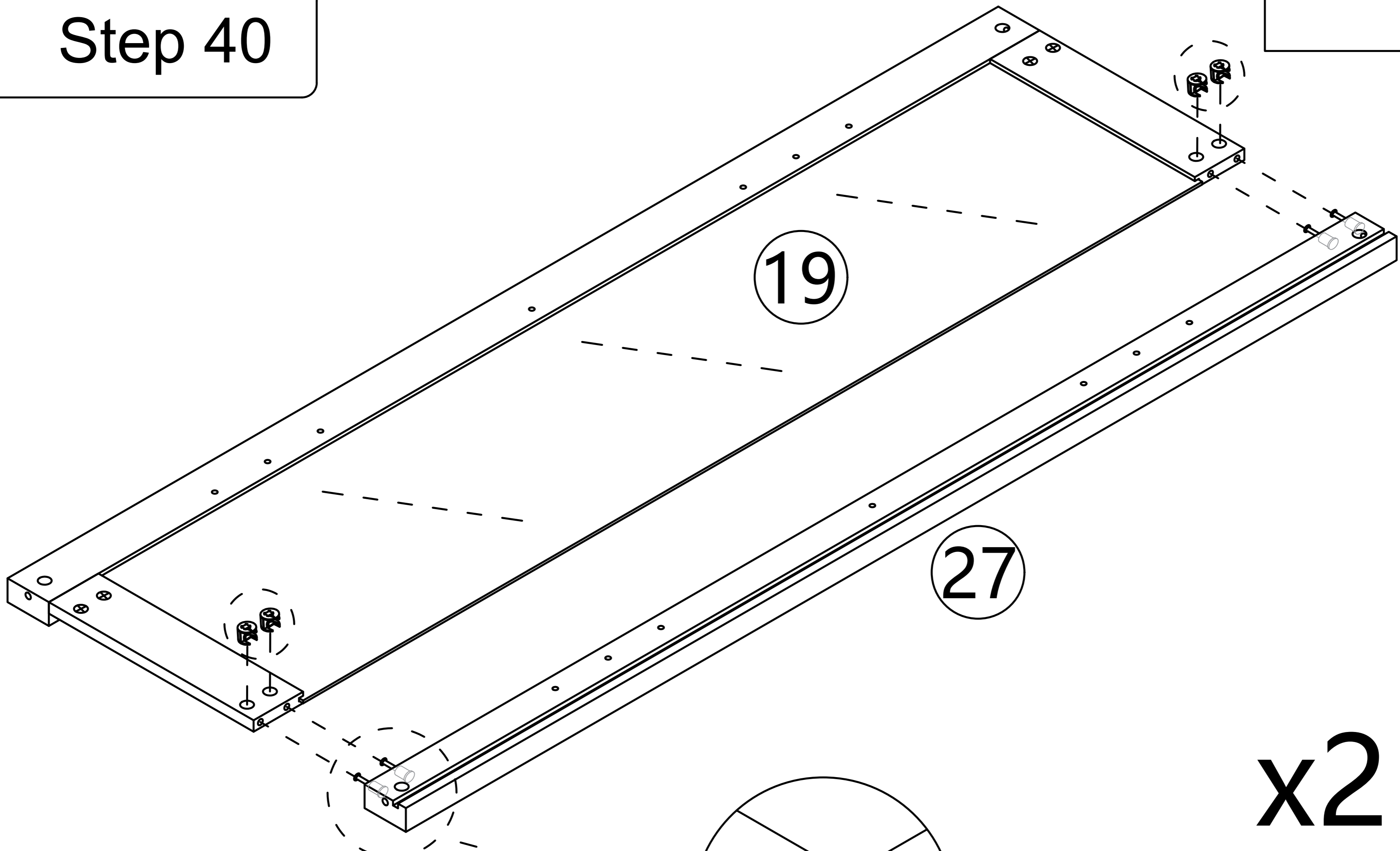
Step 39



19

x2

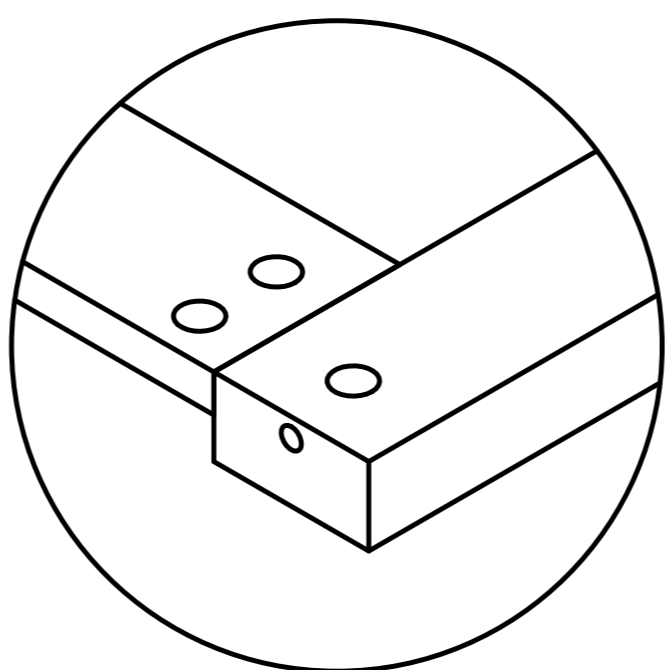
Step 40

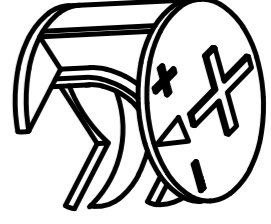


19

27

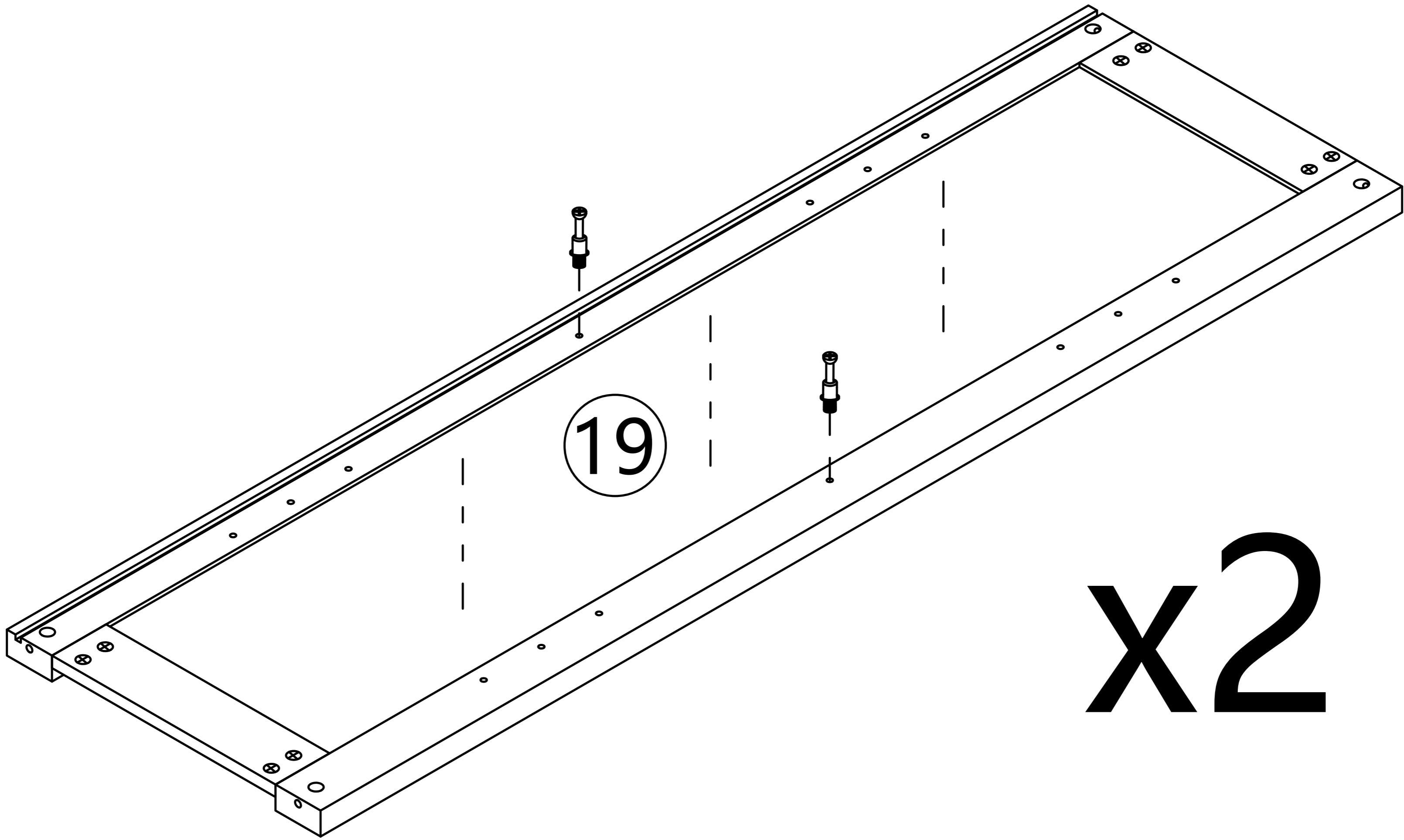
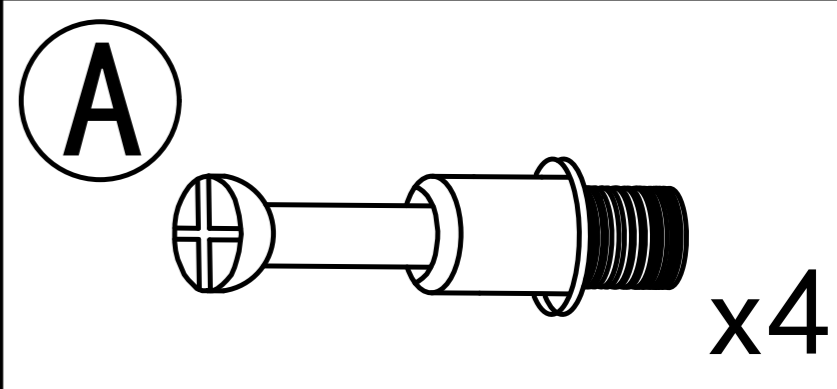
x2



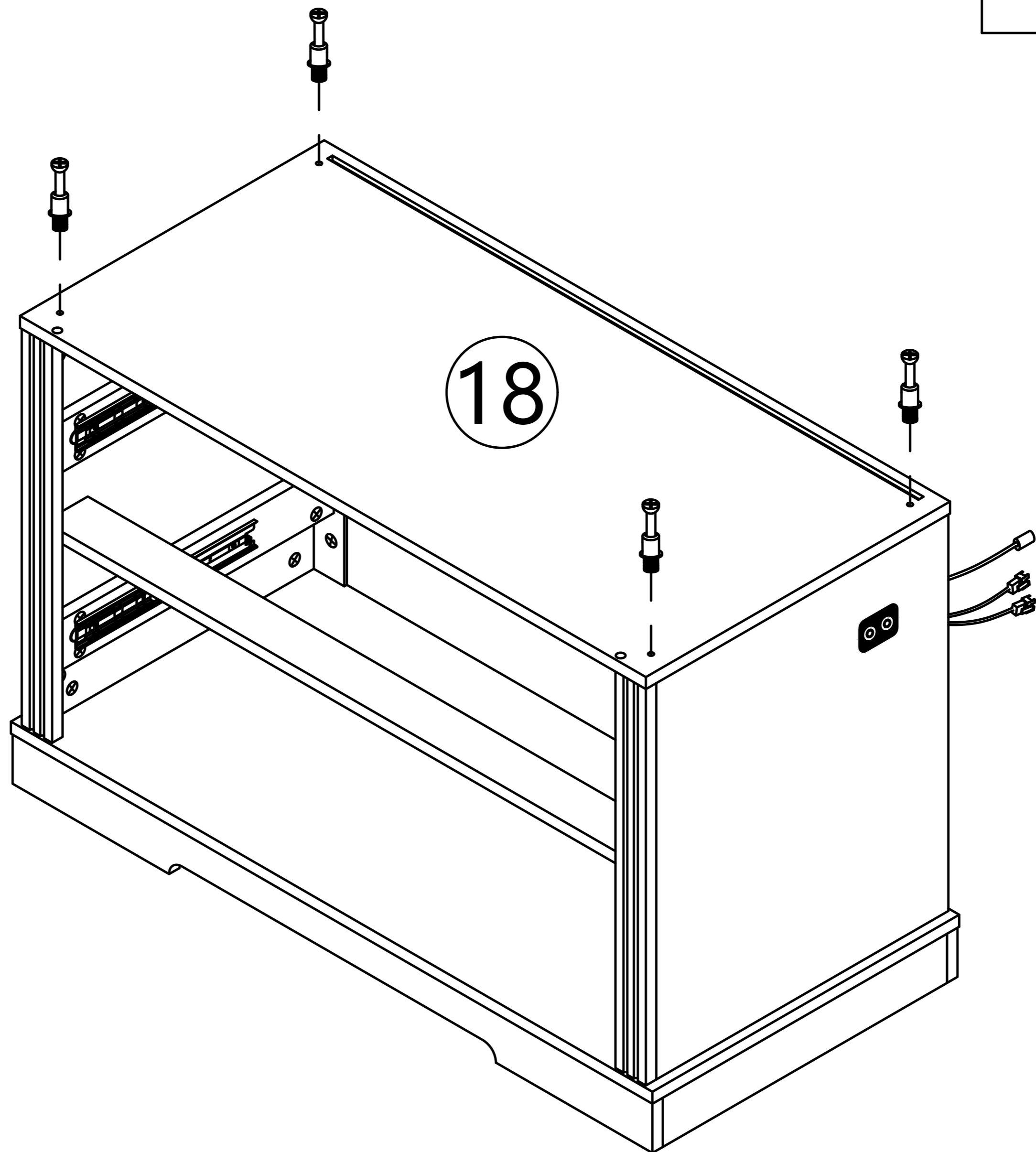
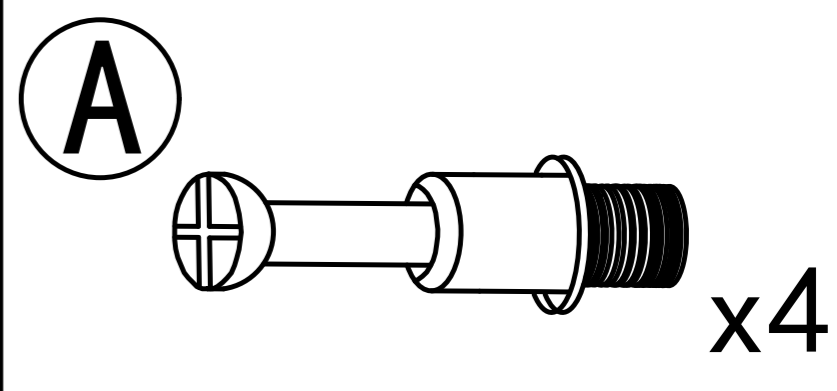
(B)  x8

27

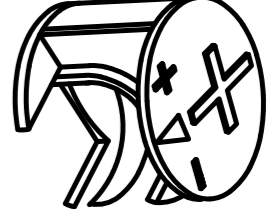
Step 41

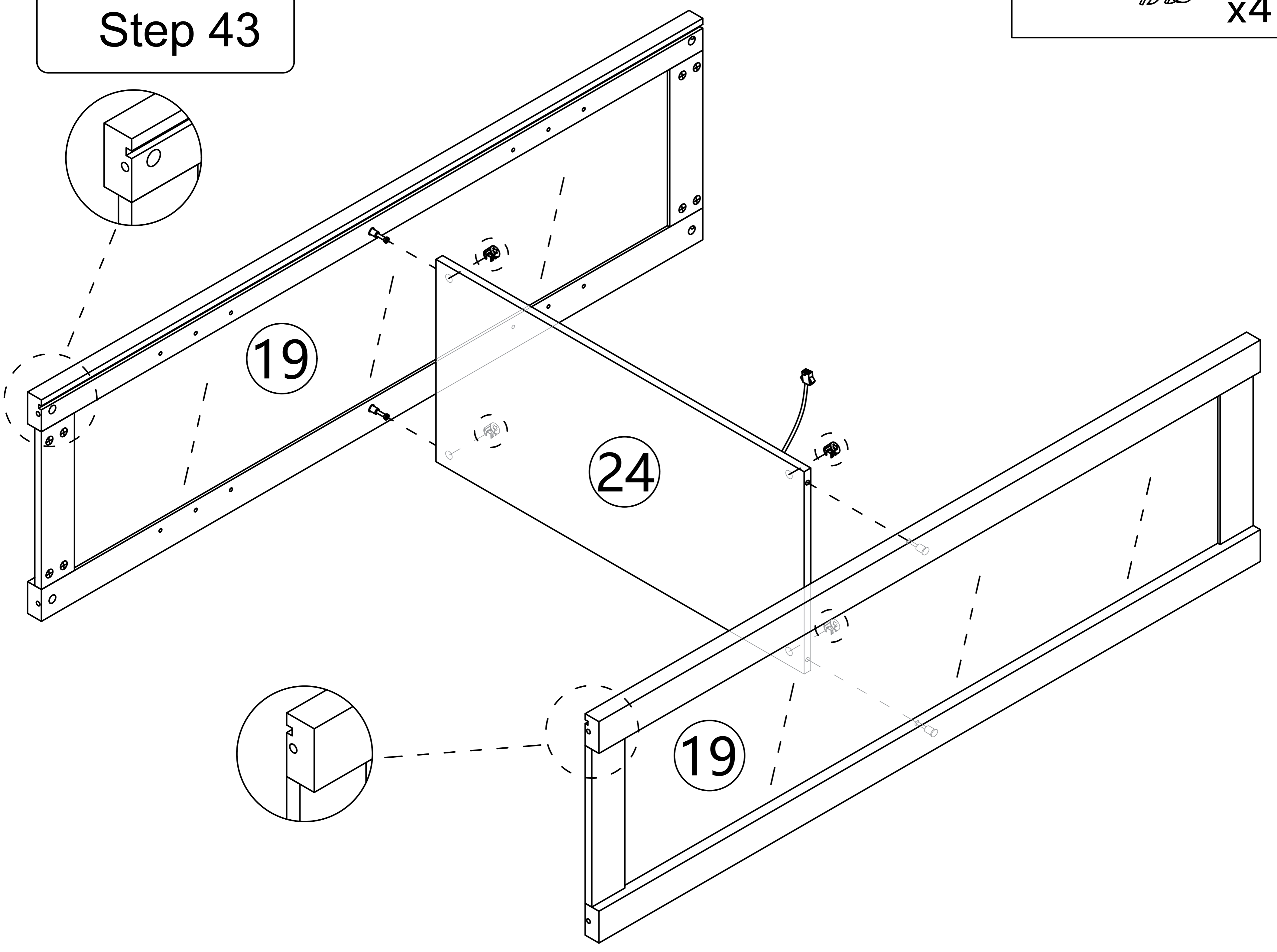


Step 42

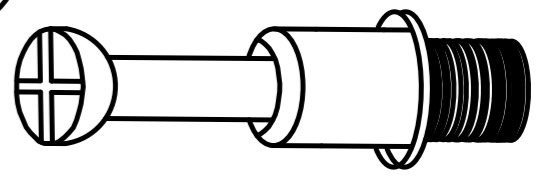


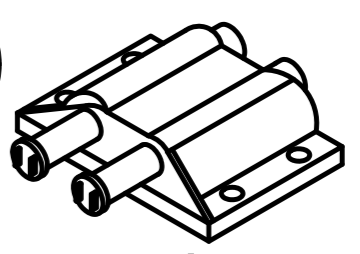
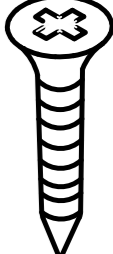
Step 43

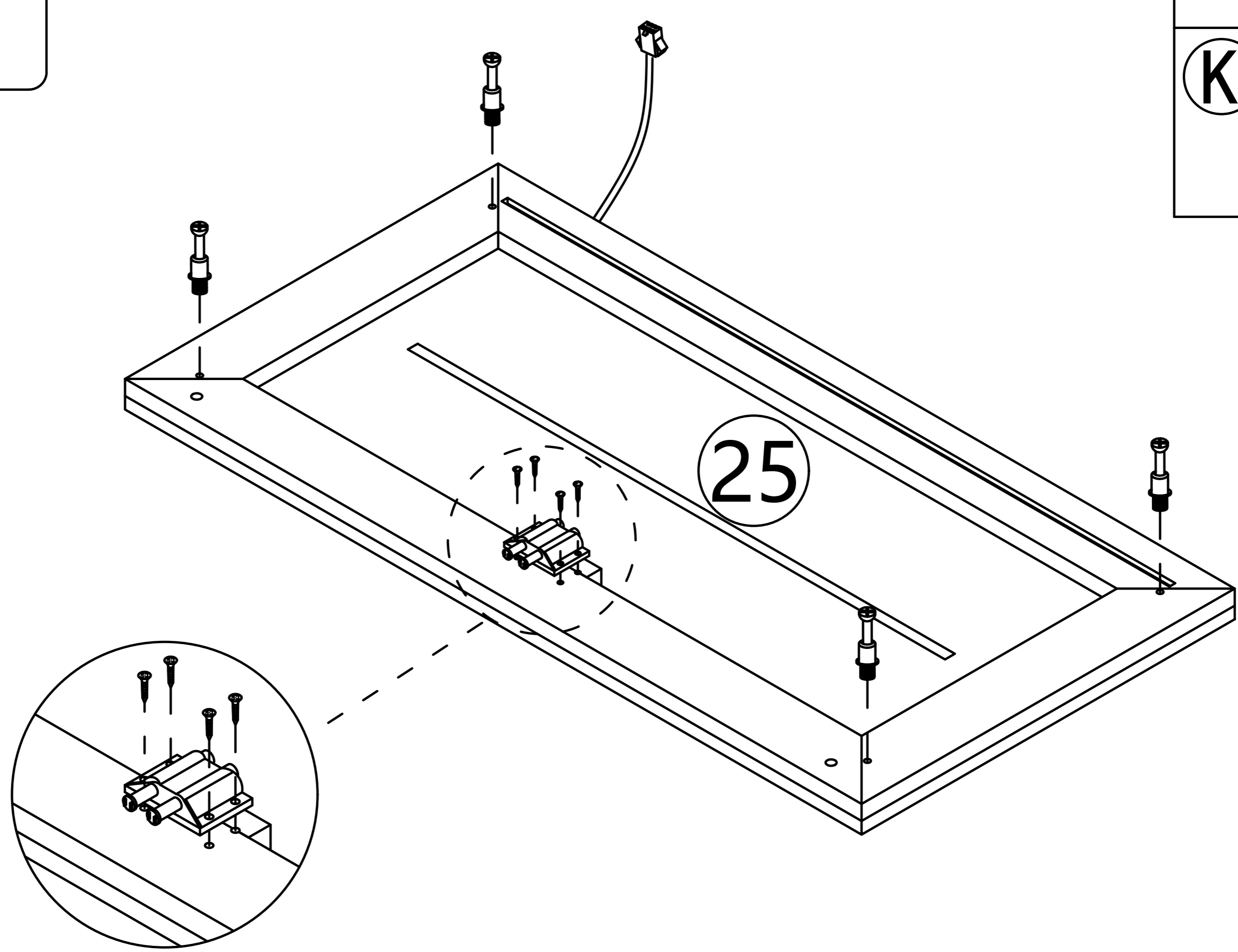
B  x4



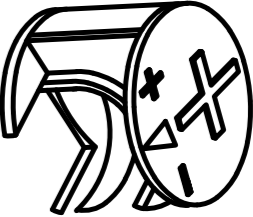
Step 44

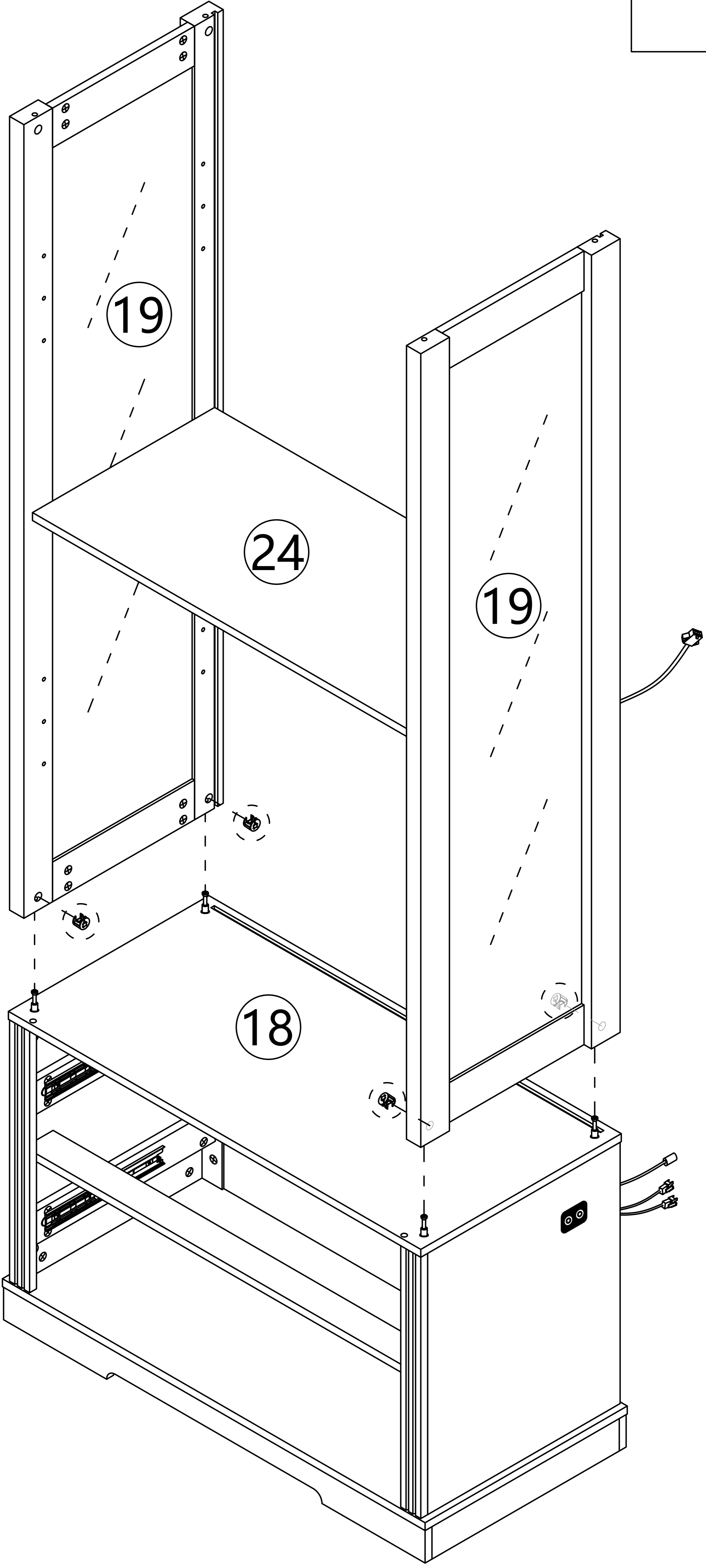
A  x4

K  x1  x4

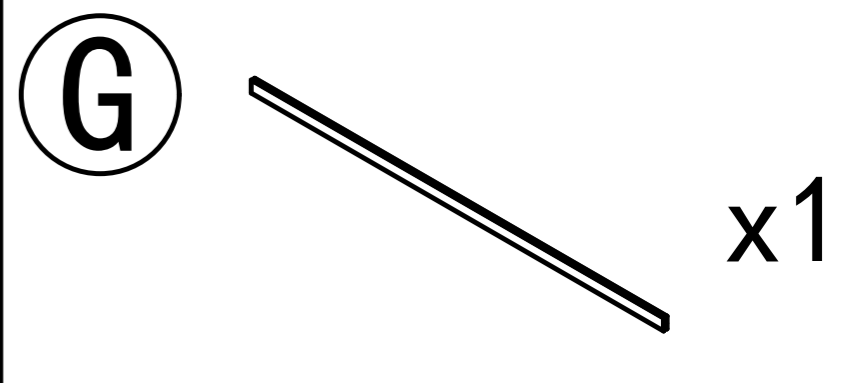


Step 45

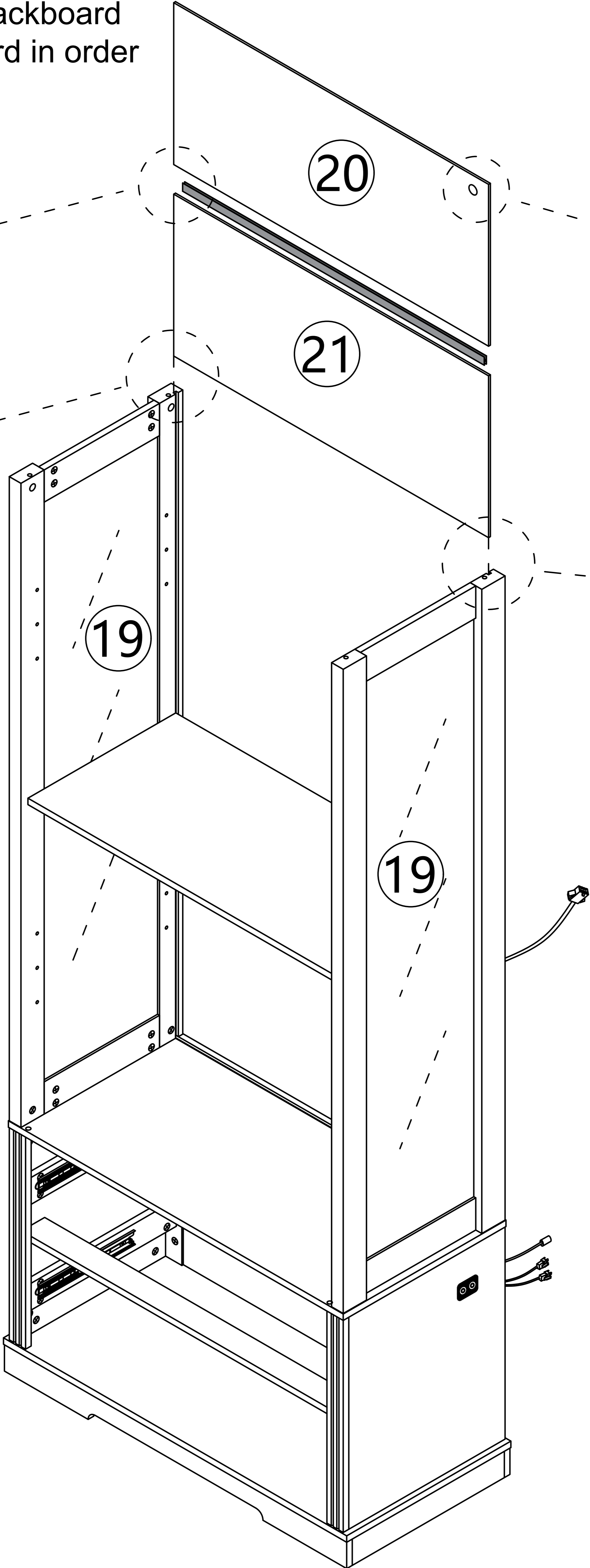
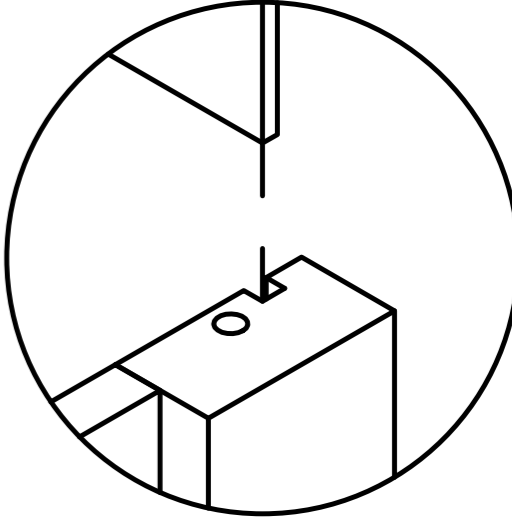
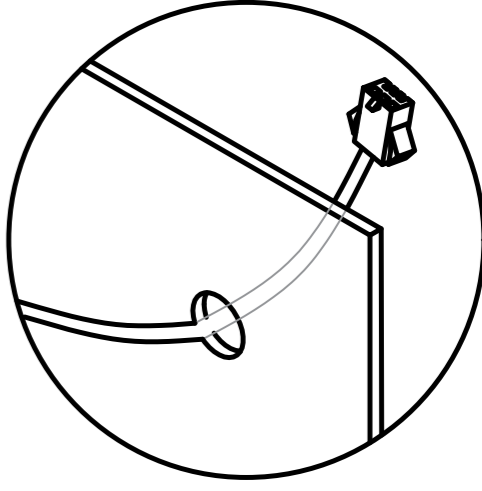
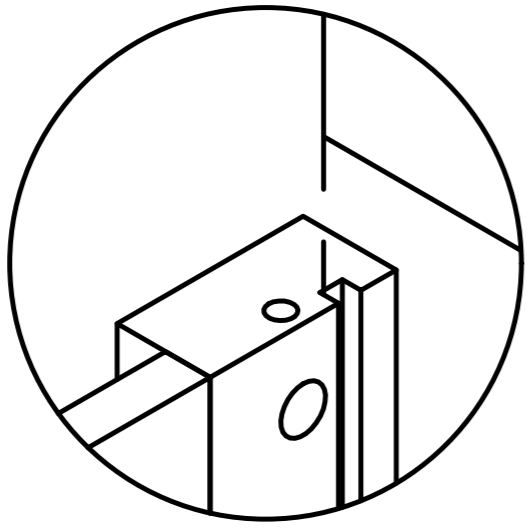
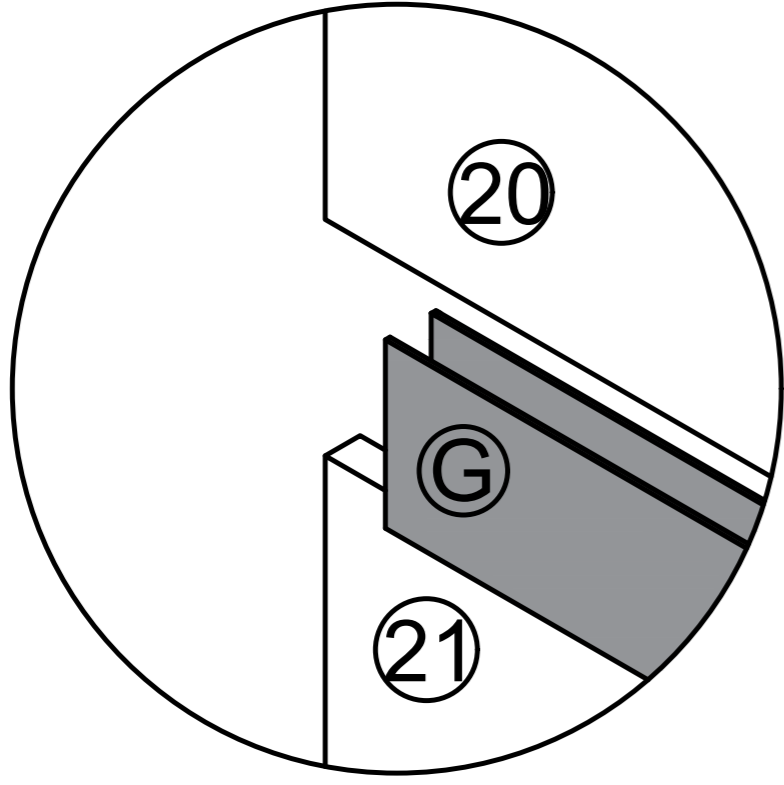
B  x4



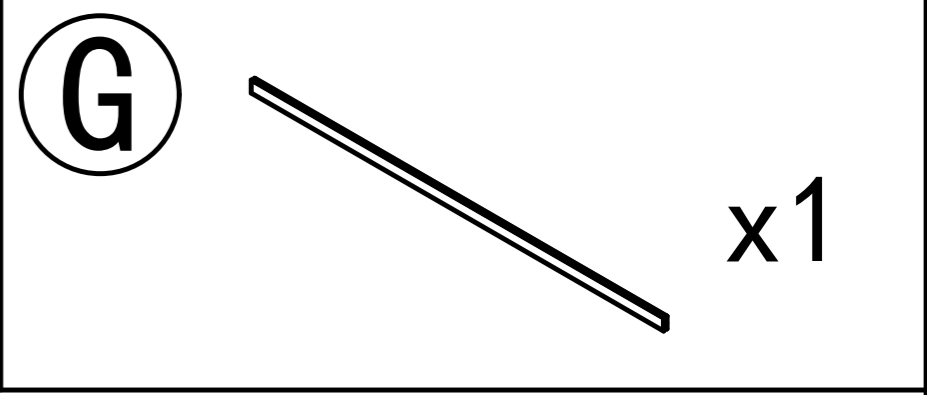
Step 46



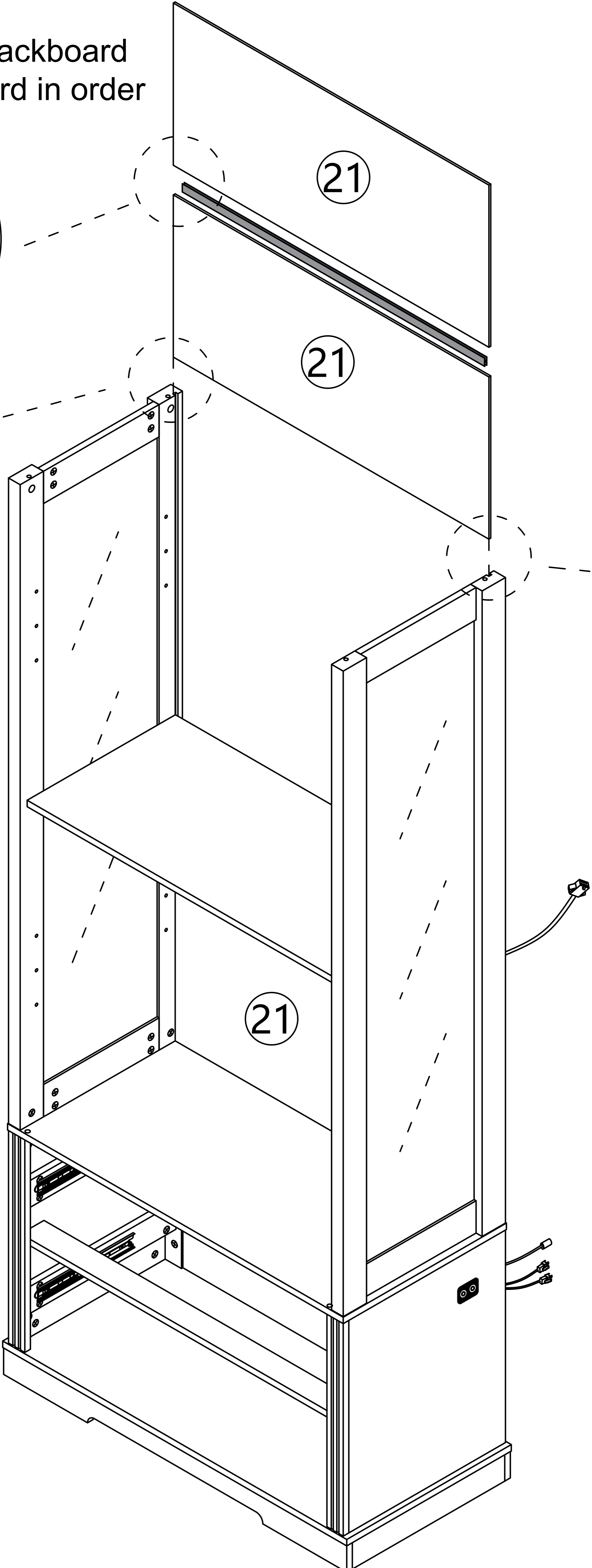
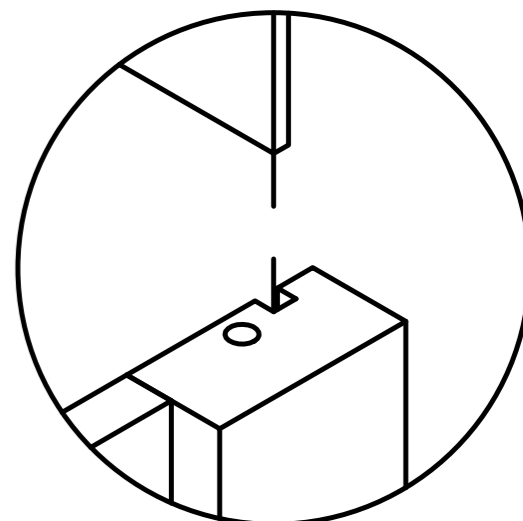
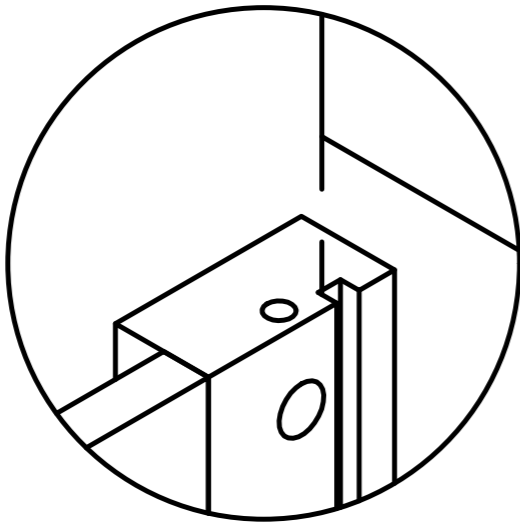
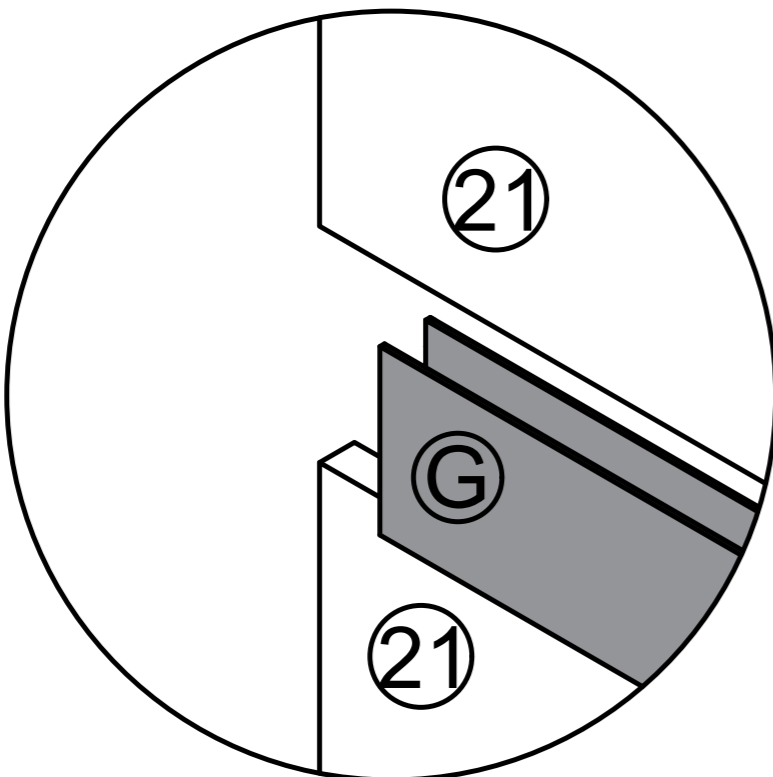
Place the "21" board, Backboard card strip, and "20" board in order



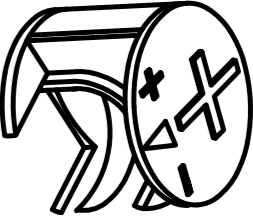
Step 47

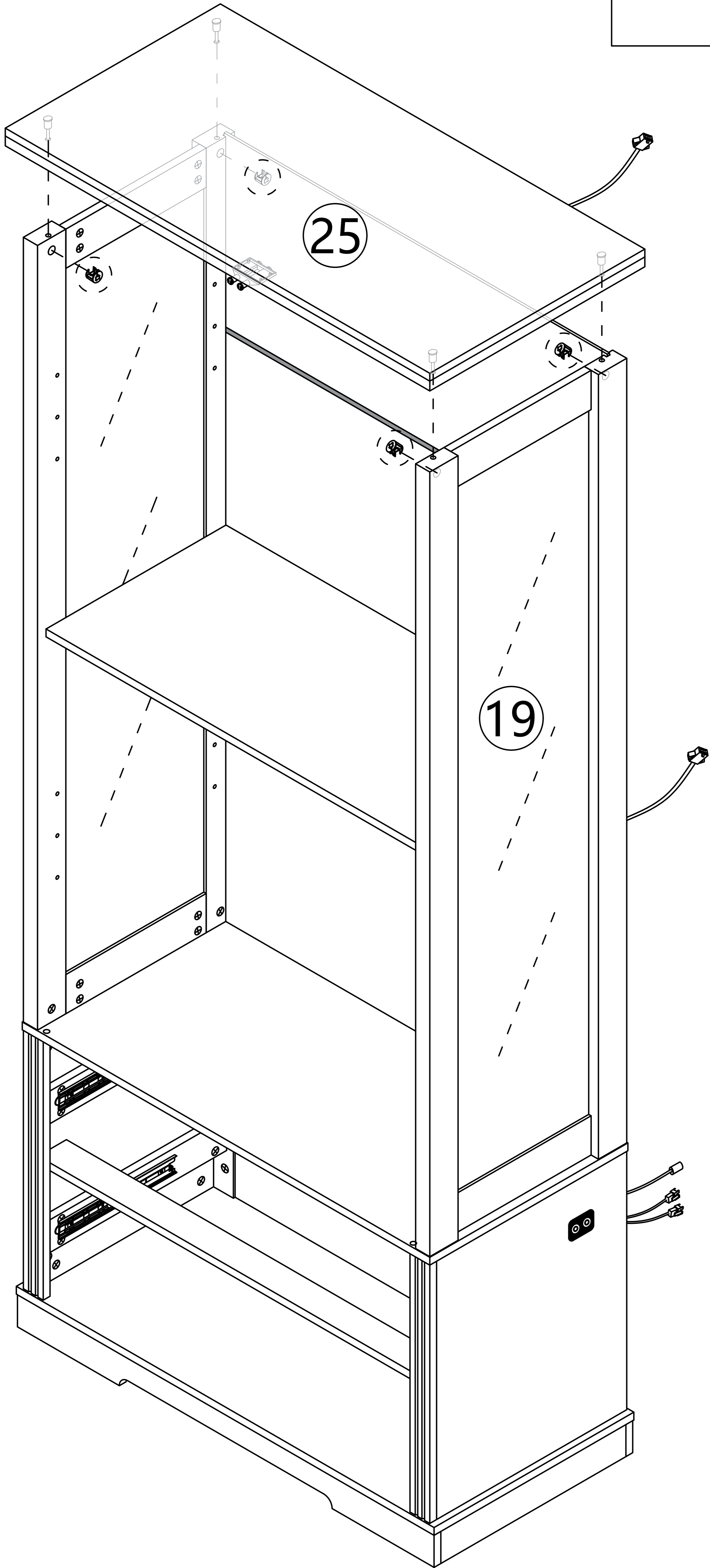


Place the "21" board, Backboard card strip, and "21" board in order

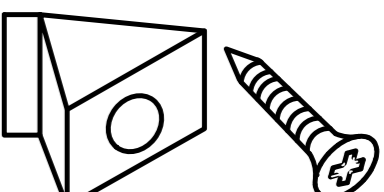


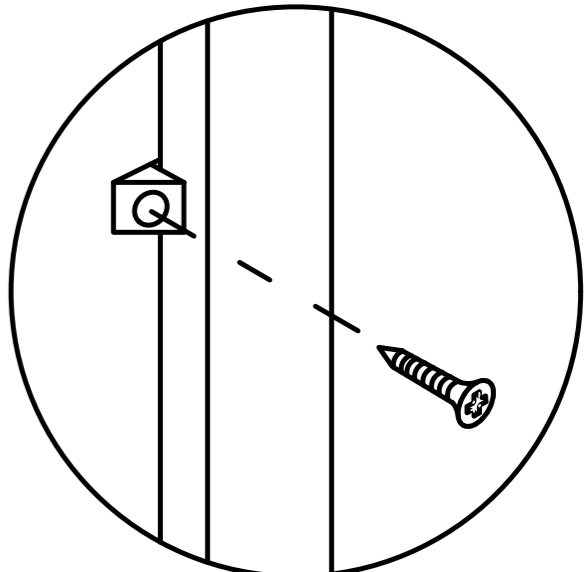
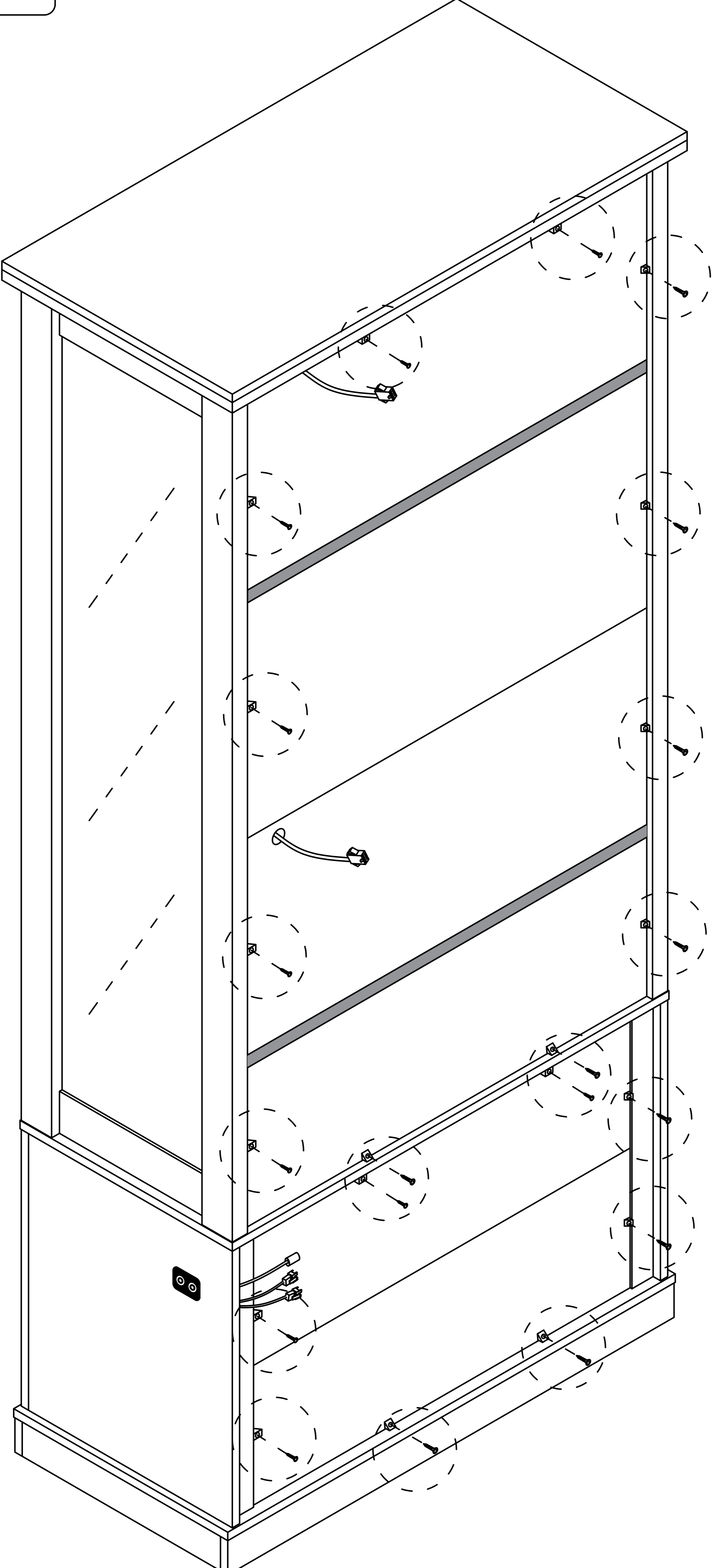
Step 48

B  x4

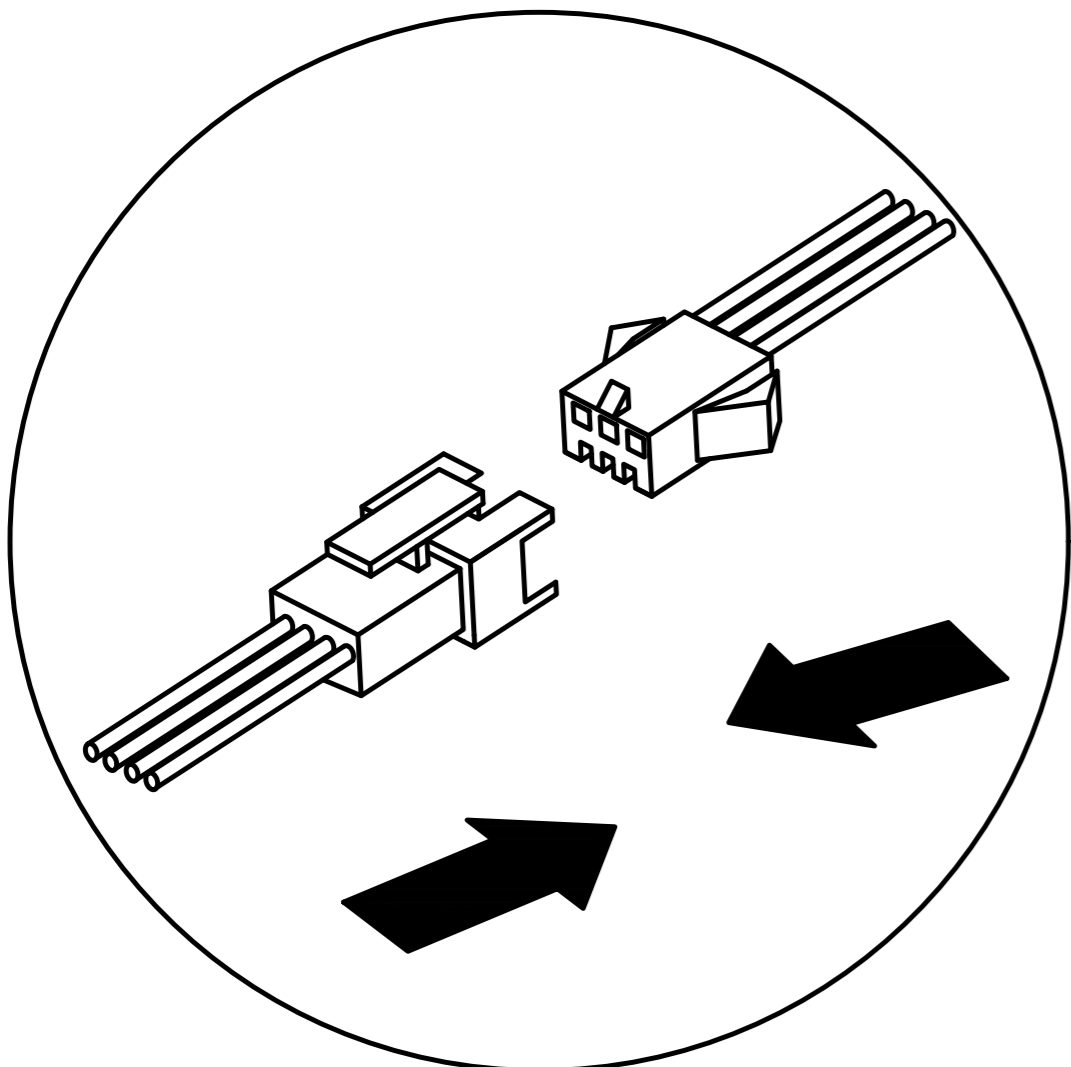
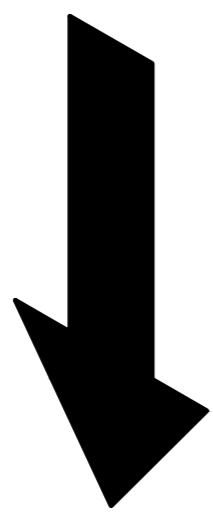
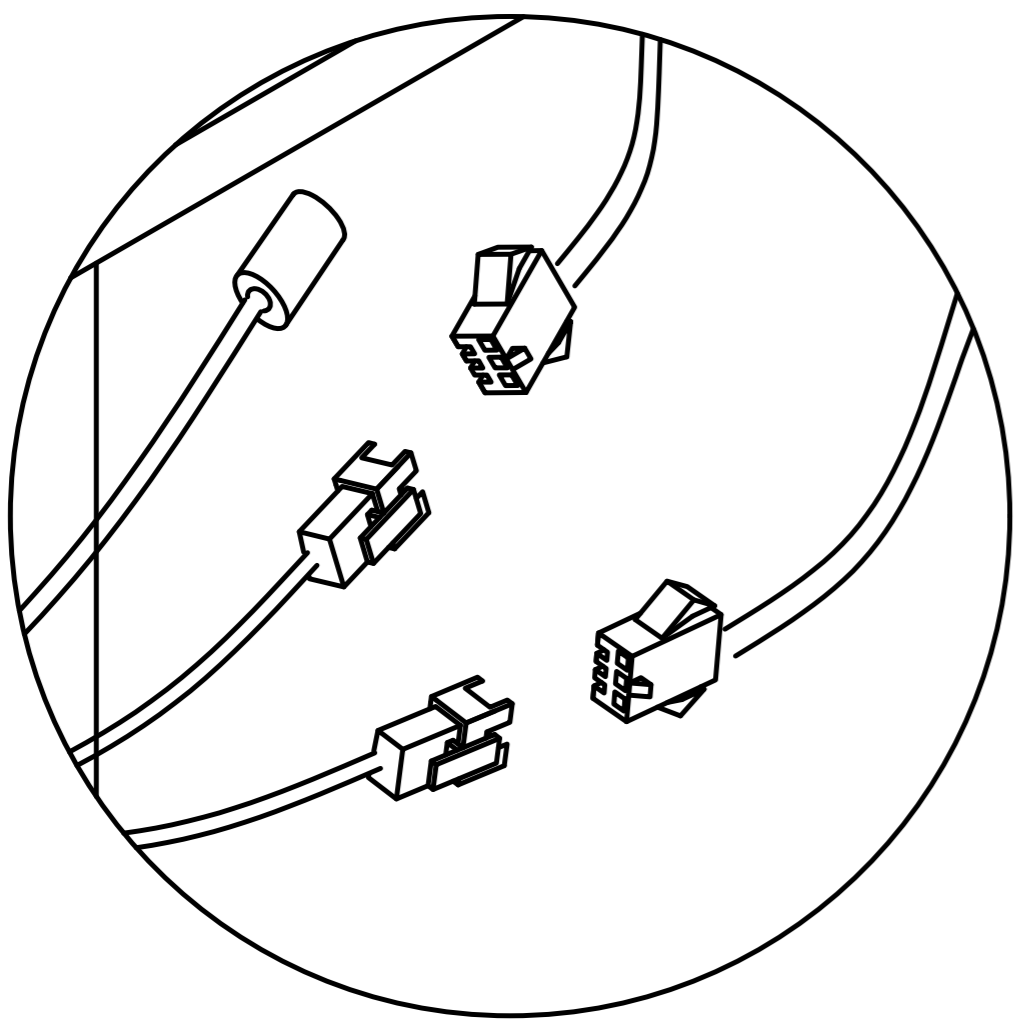
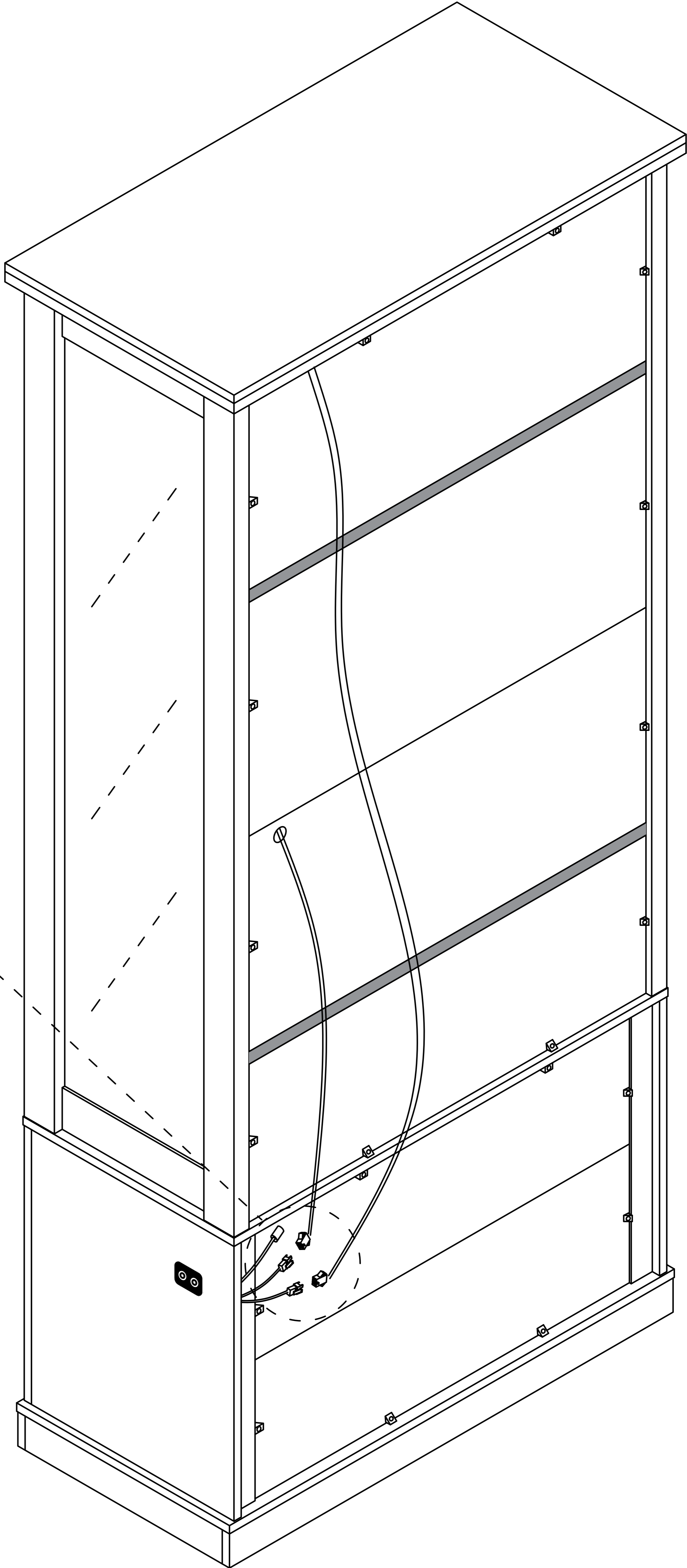


Step 49

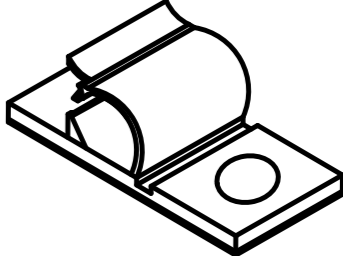
H  x20

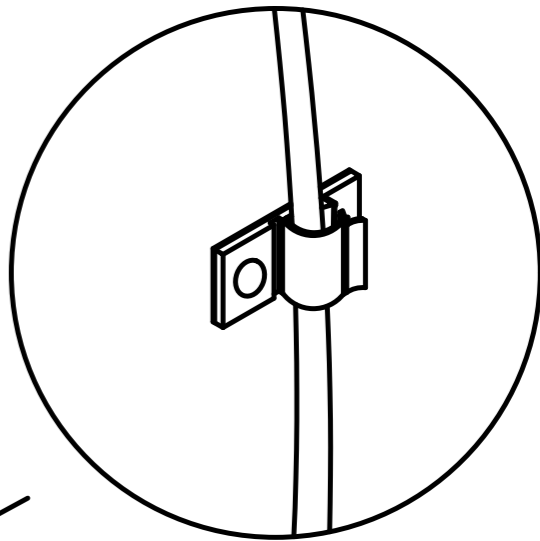
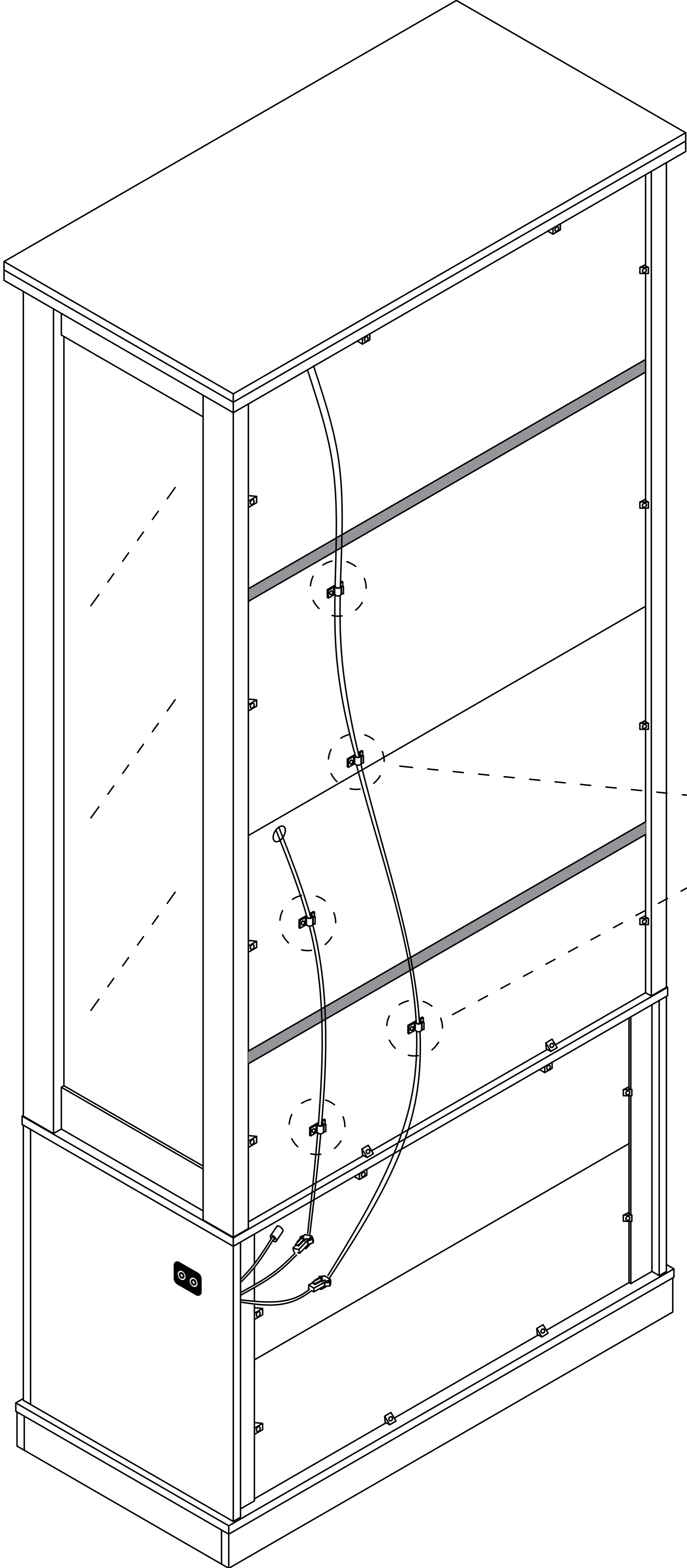


Step 50



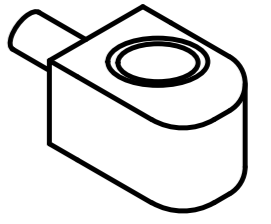
Step 51

①  x5

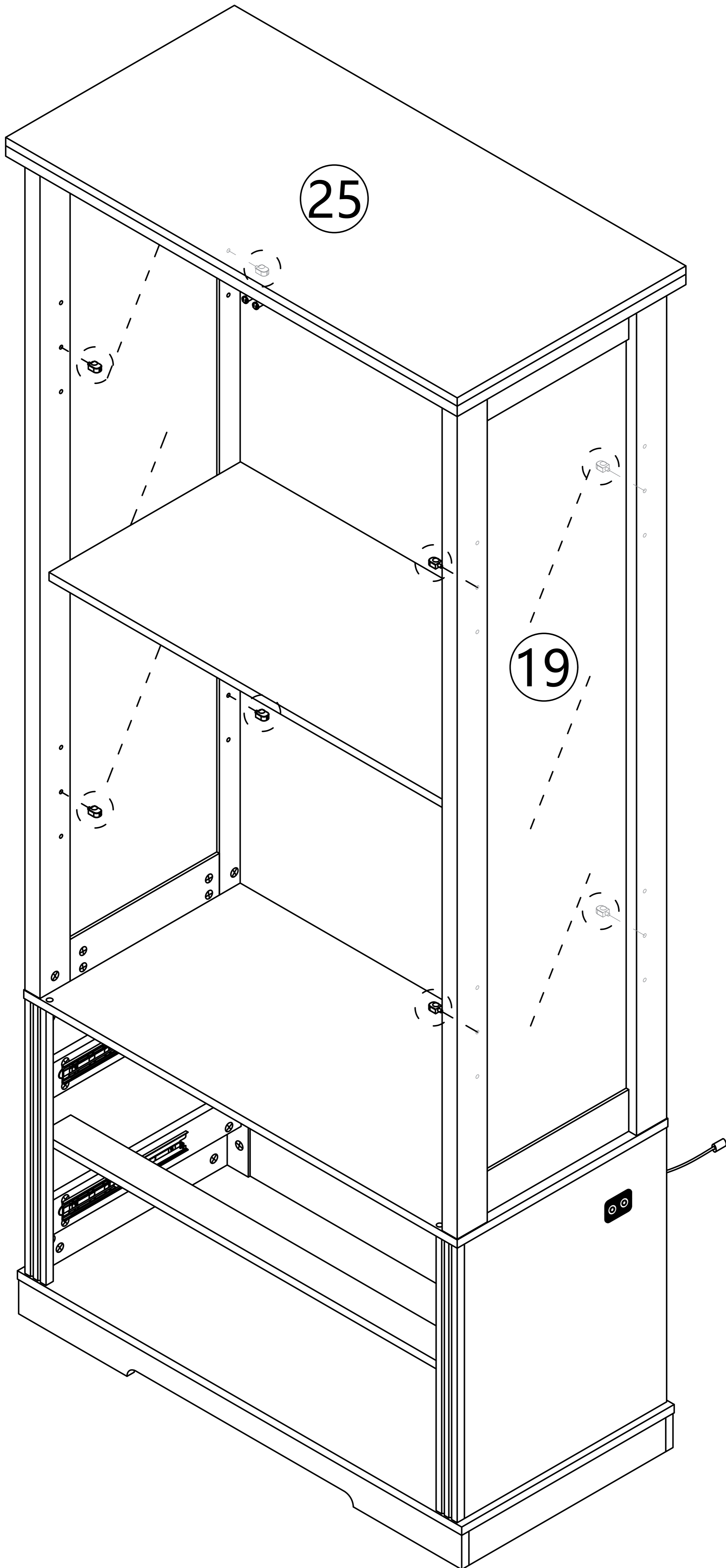


Step 52

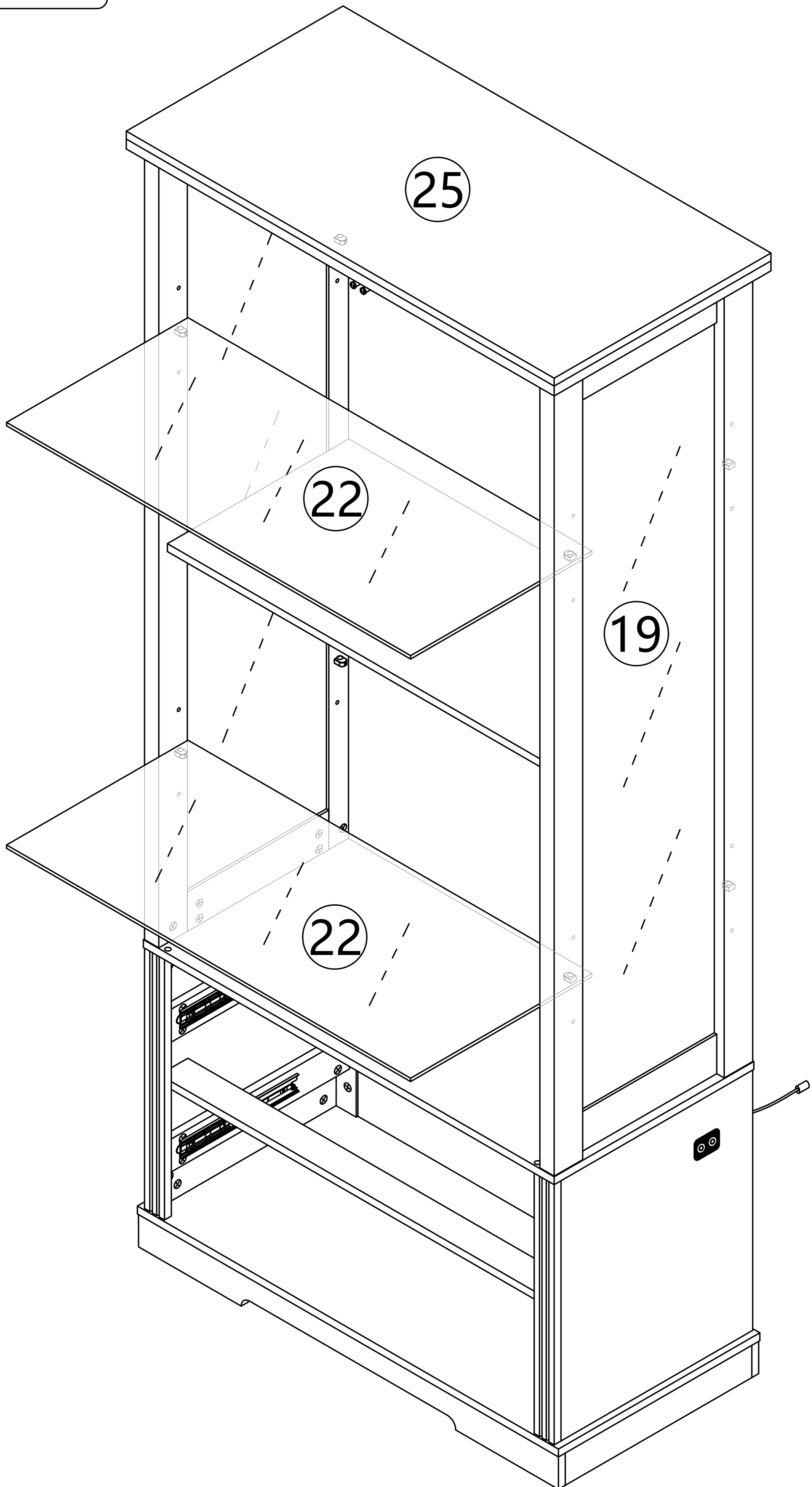
J



x8

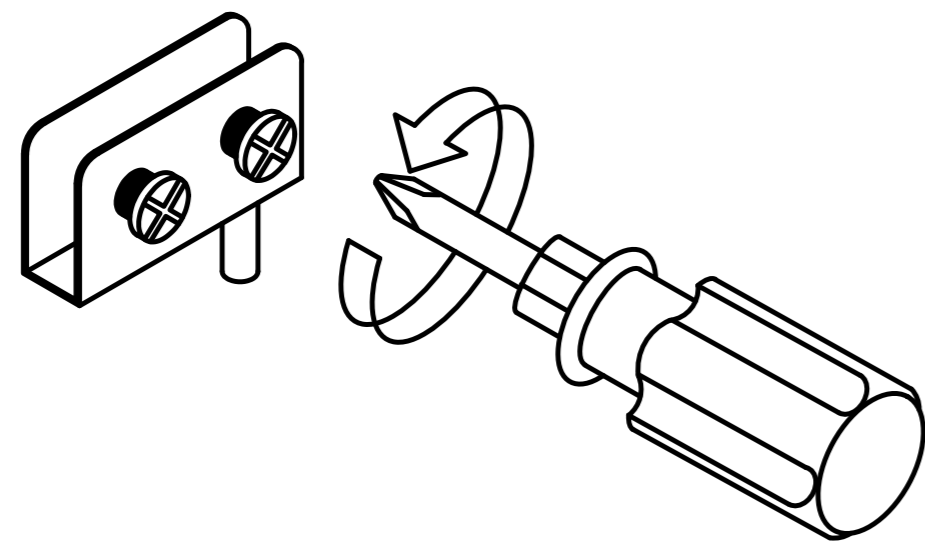


Step 53

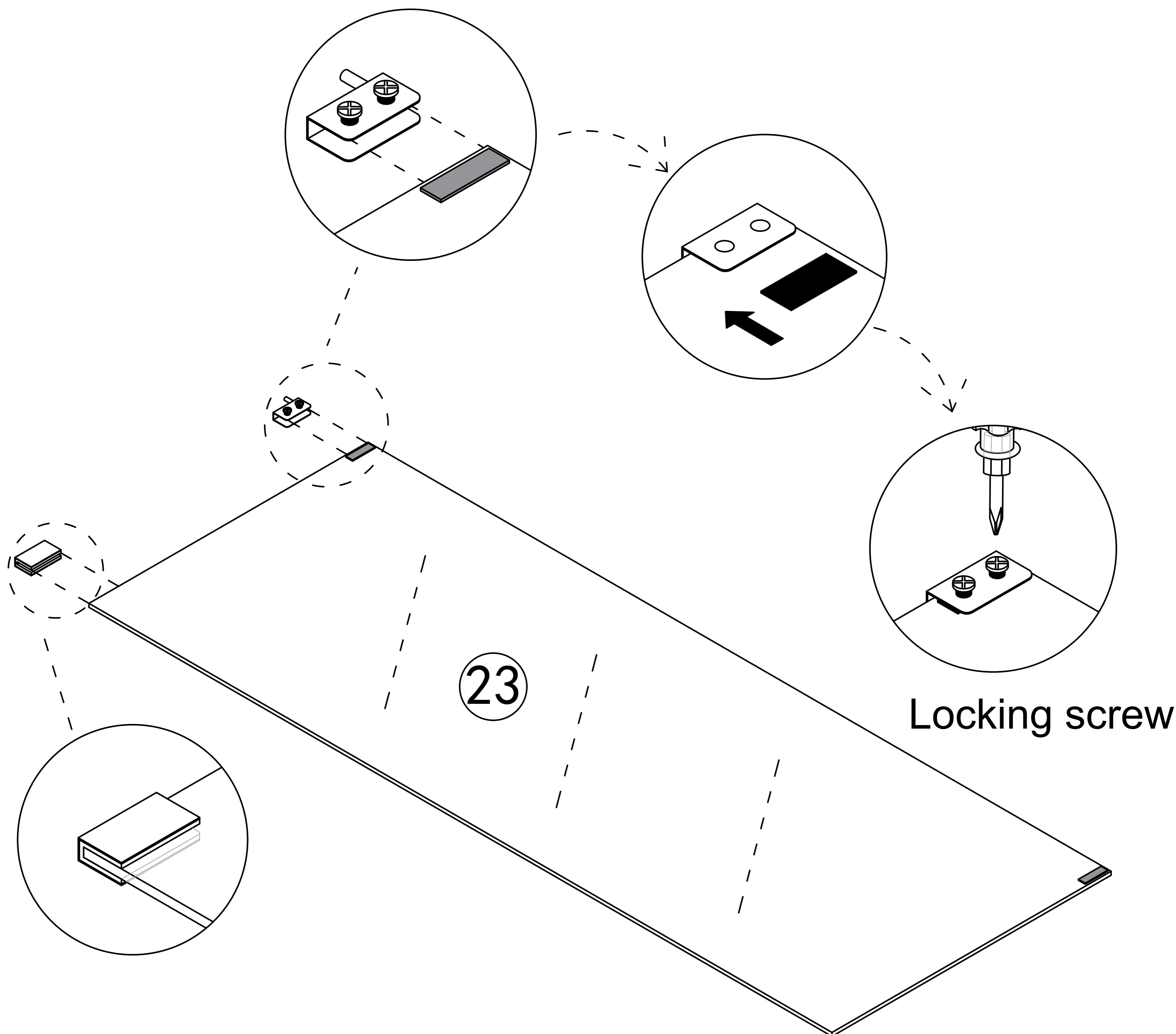
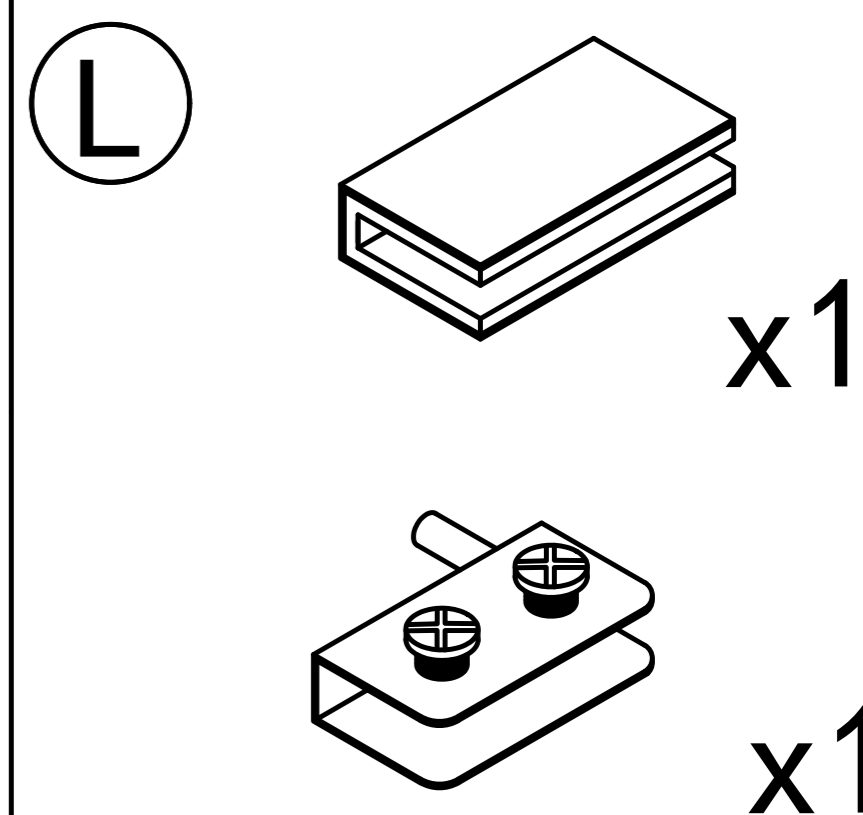
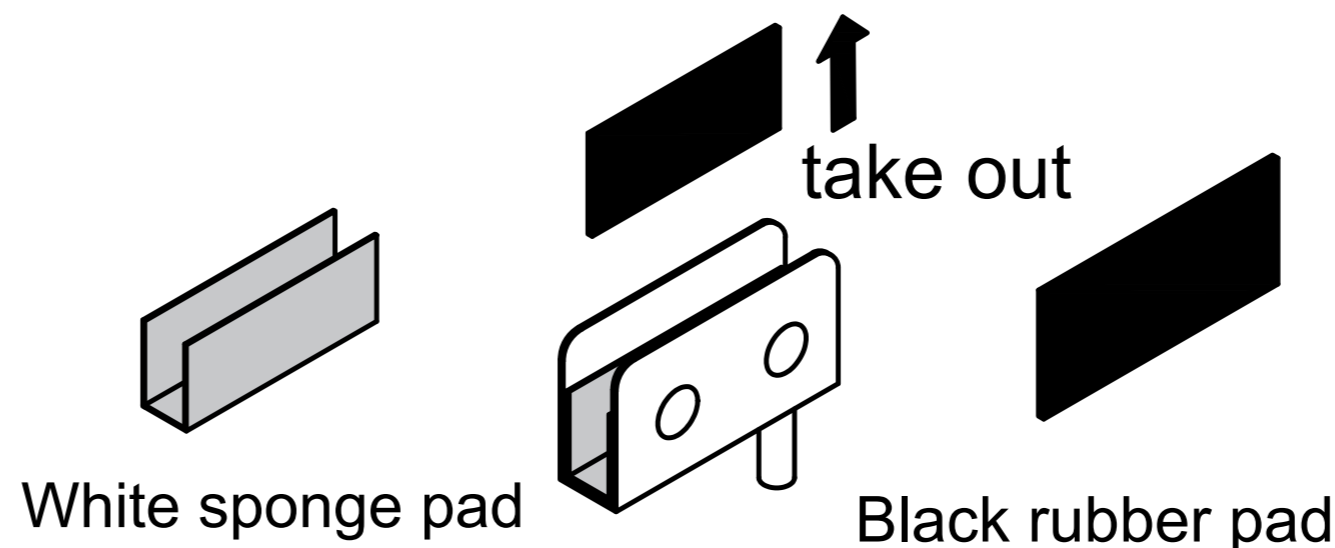


Step 54

First, completely unscrew the screws on the parts



Then take out the black rubber pad from the inside of the part, and the white sponge remains unchanged inside the part.

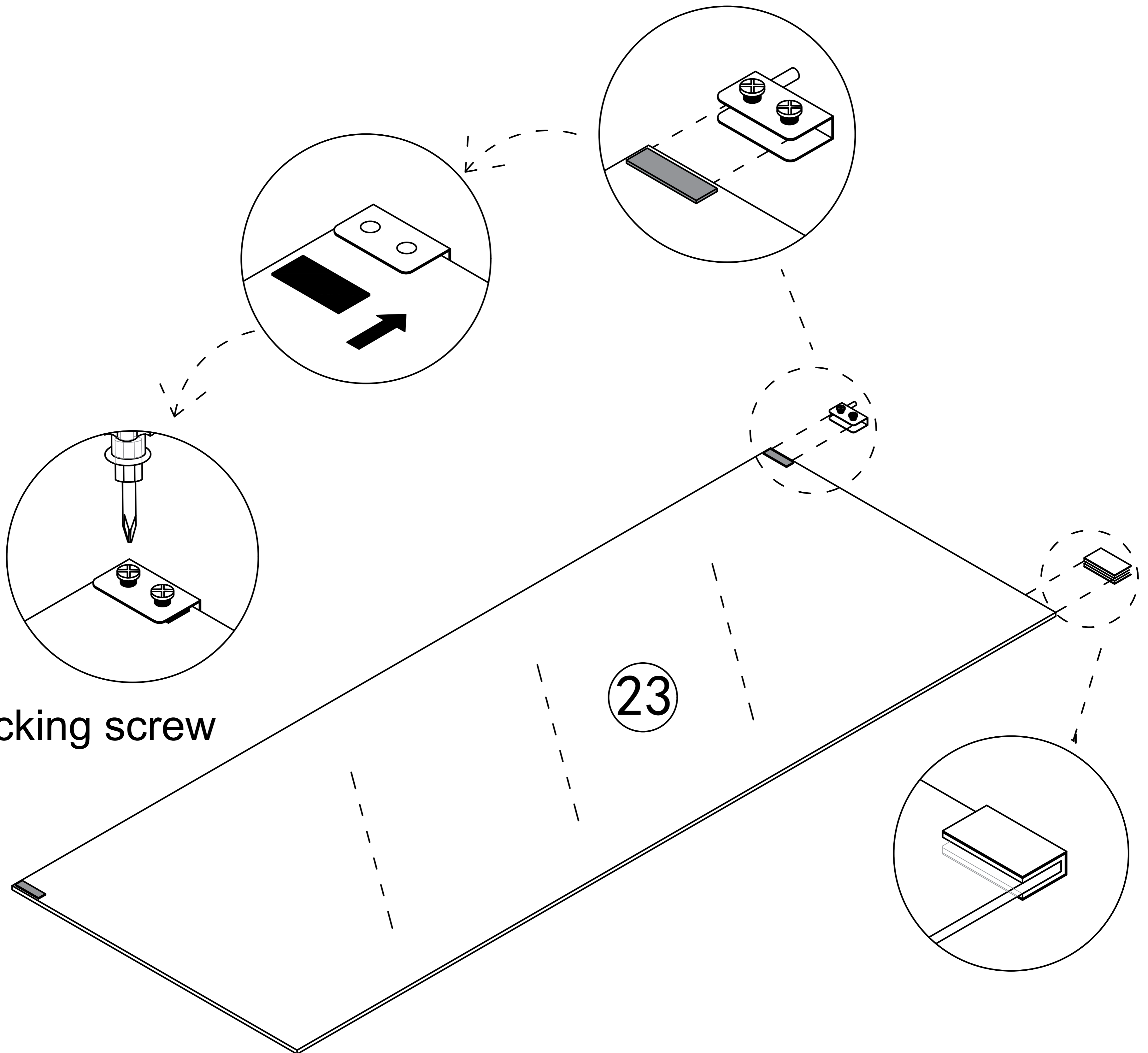
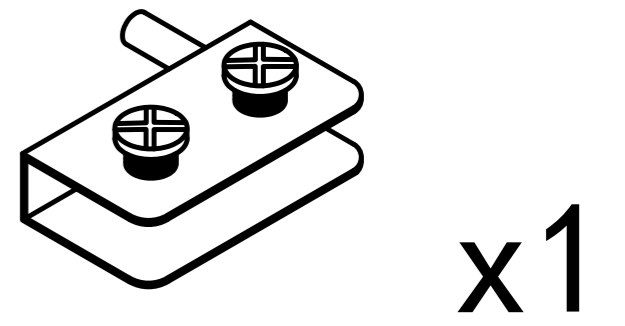
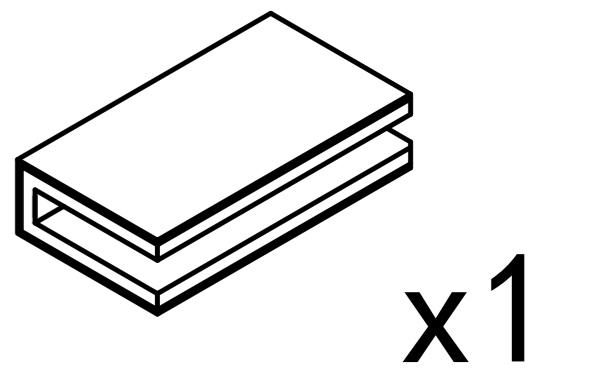


Pay attention to the direction of the door hinge, rotate the screws to compress the black gasket, and do not place it in the opposite direction

Place the black gasket on the side where the screws are installed

Step 55

L

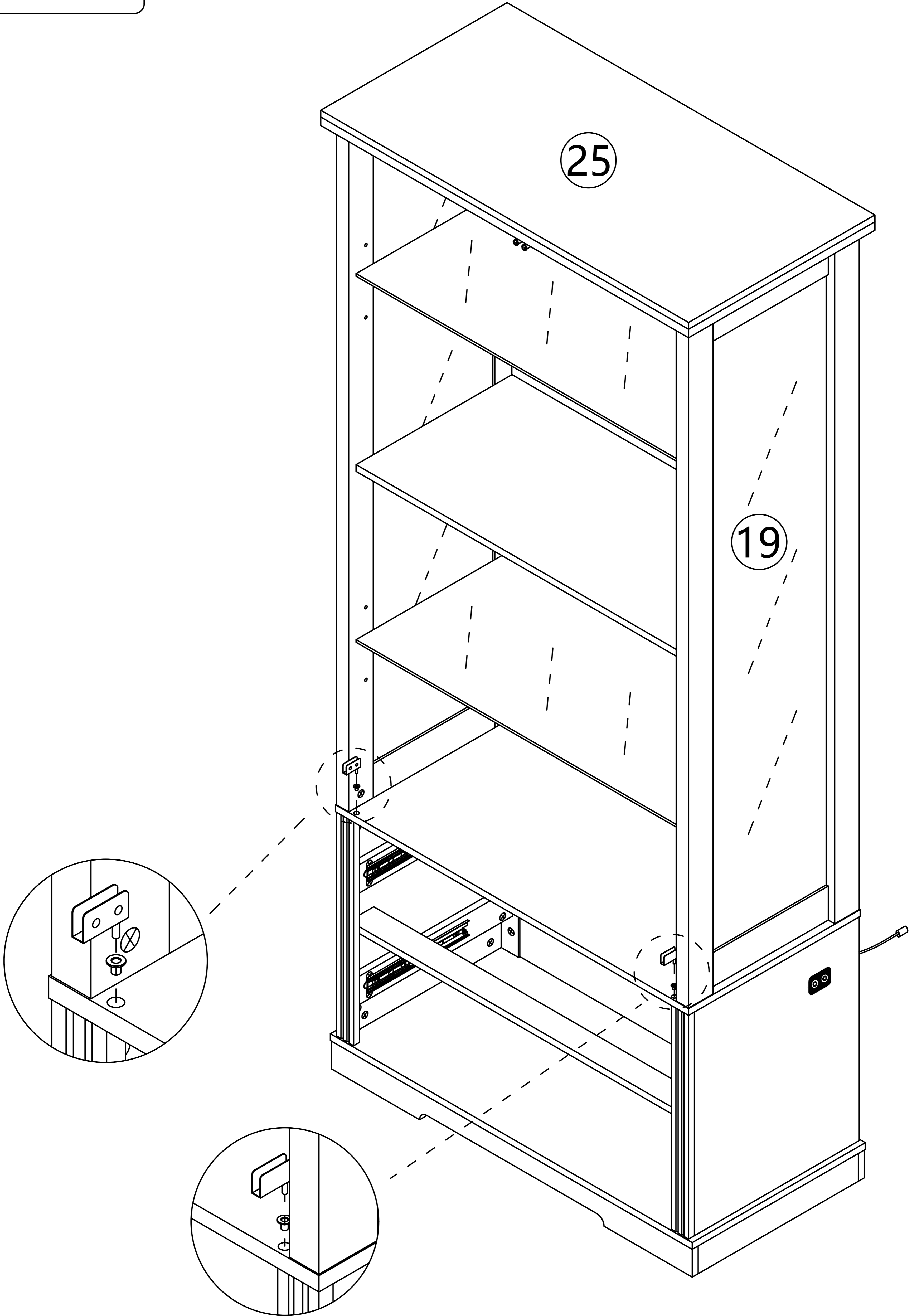
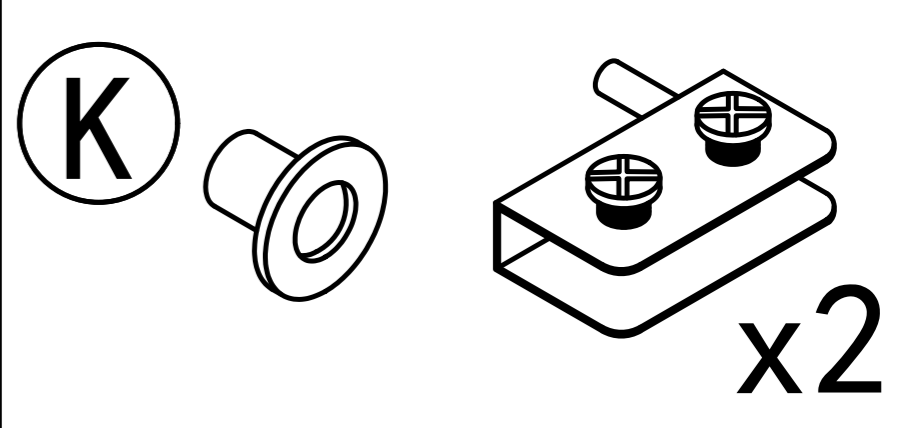


Locking screw

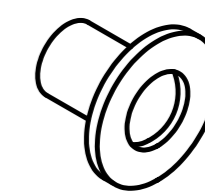
Pay attention to the direction of the door hinge, rotate the screws to compress the black gasket, and do not place it in the opposite direction

Place the black gasket on the side where the screws are installed

Step 56



(K)

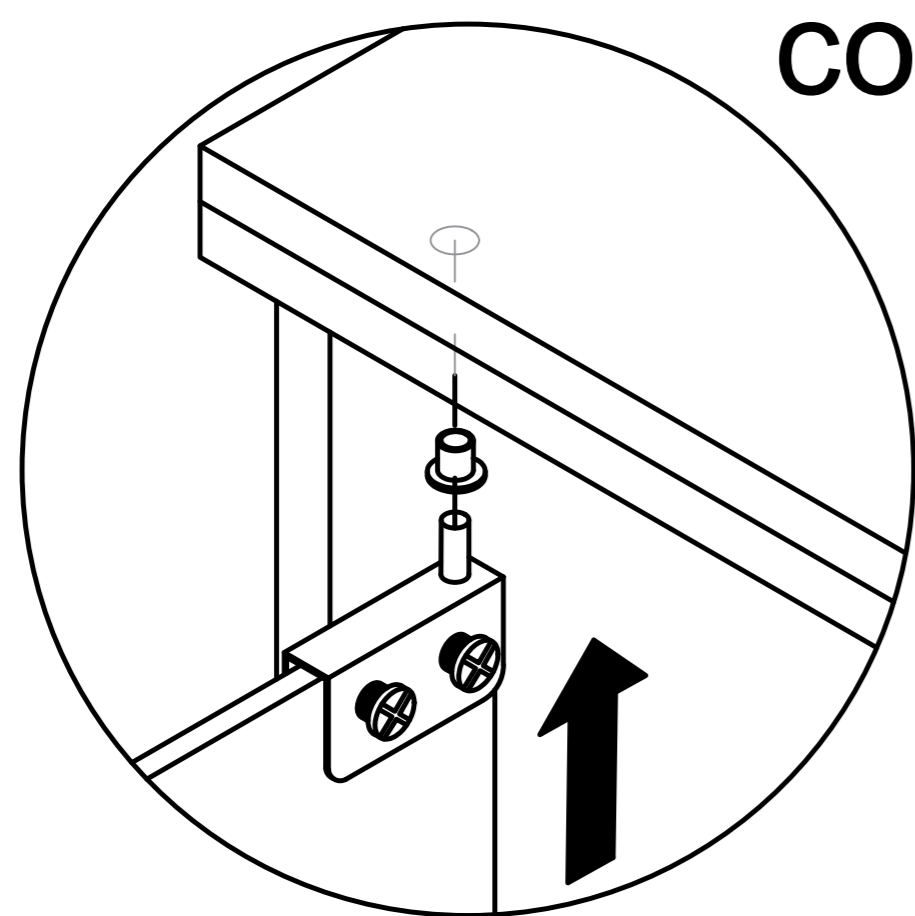


x2

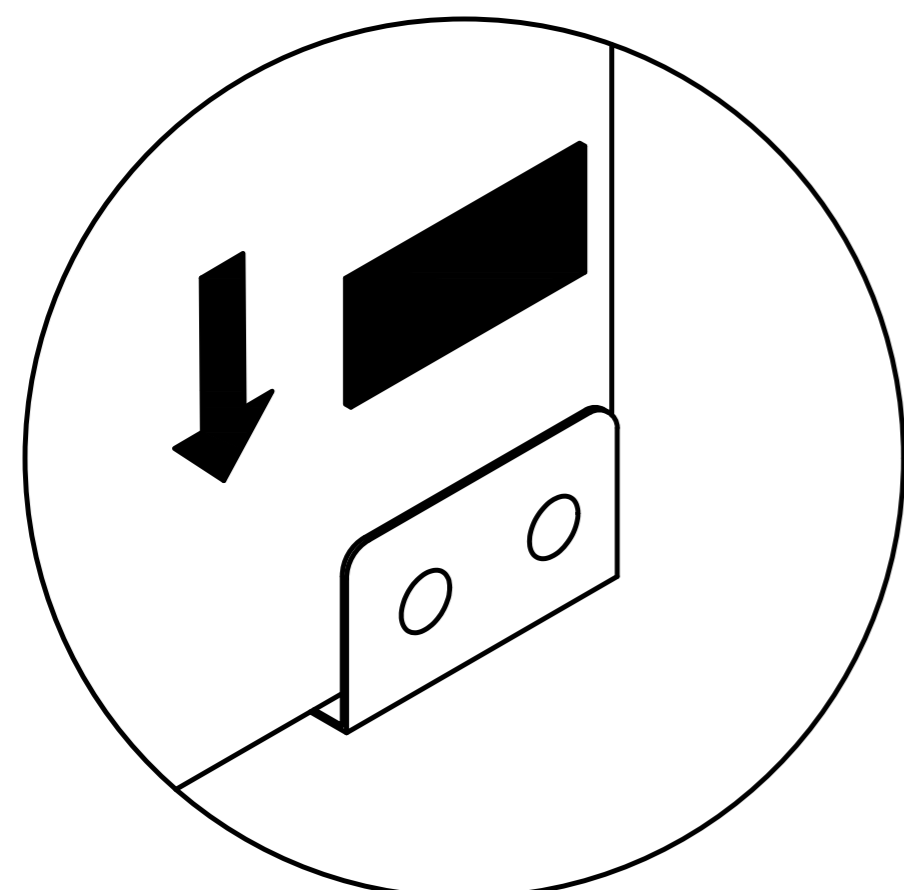
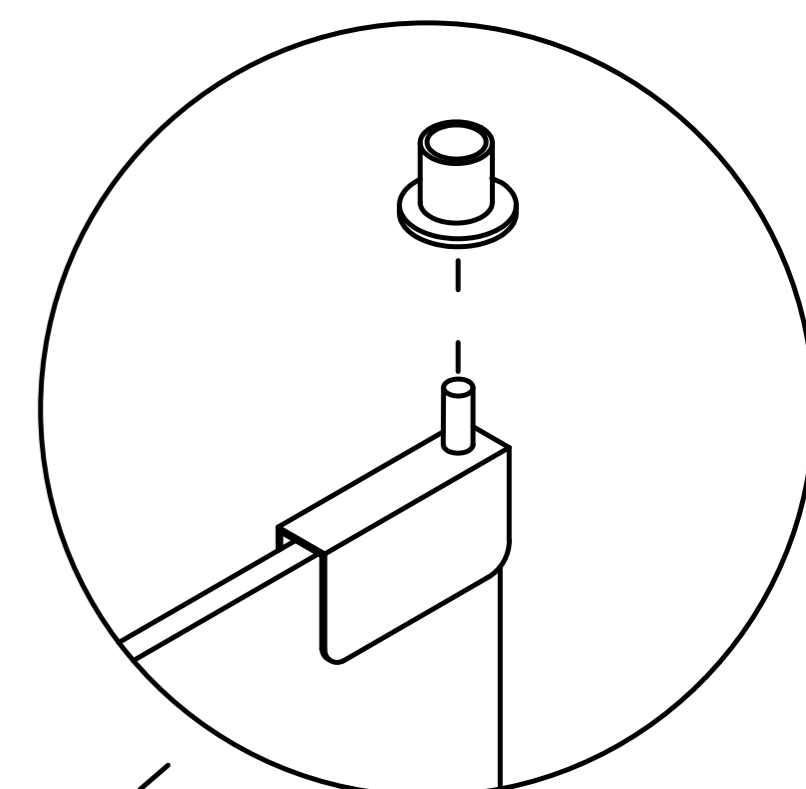
Step 57

When installing a glass door, it is recommended to have two people install it to avoid the glass door colliding or hitting oneself.

Pay attention to the direction of the door hinge during installation

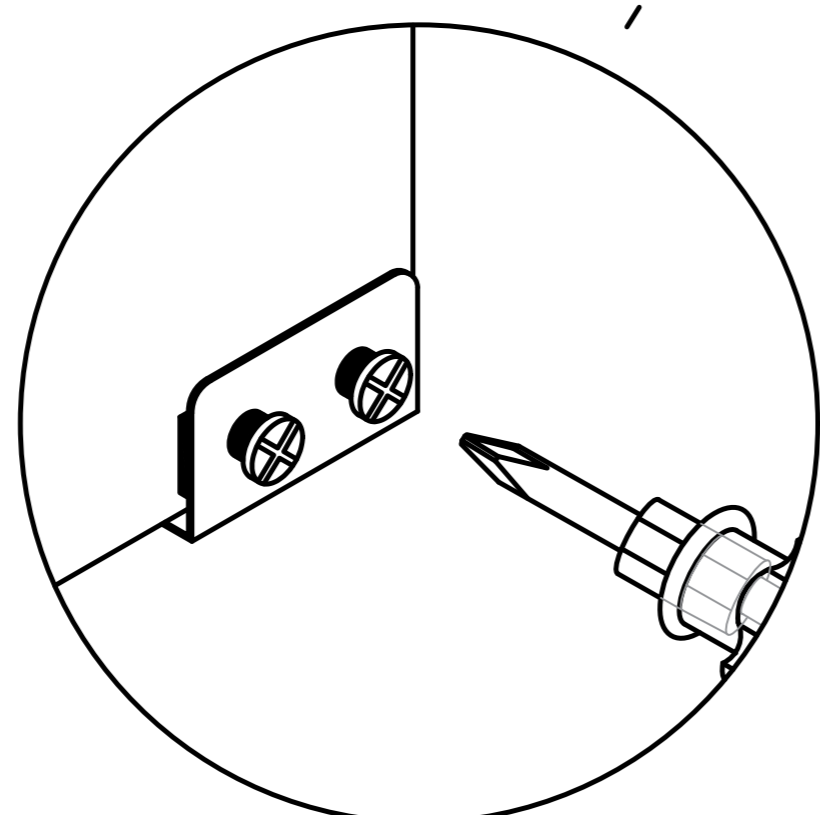


first



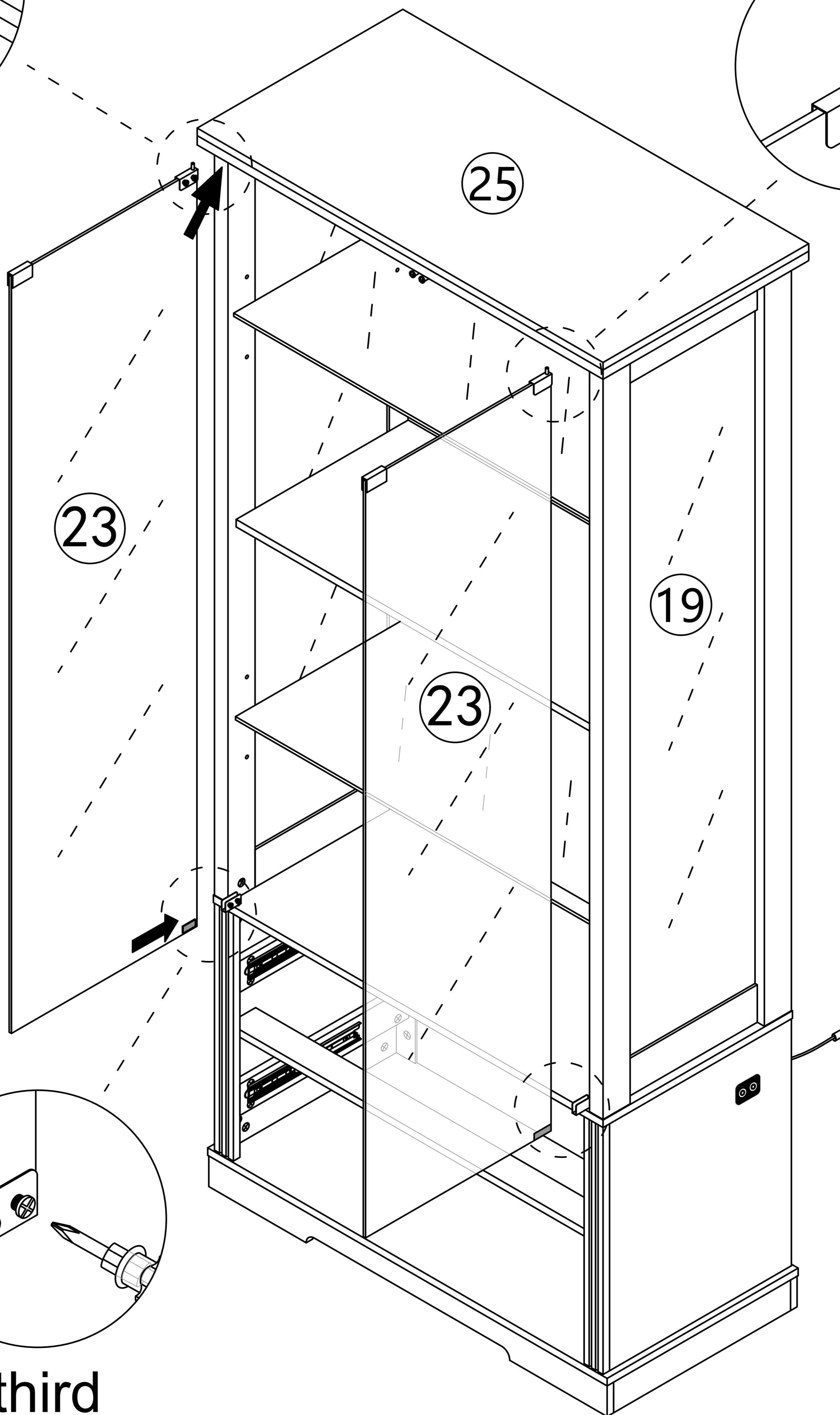
second

After installing the glass door, place the black gasket on the side where the screws are installed



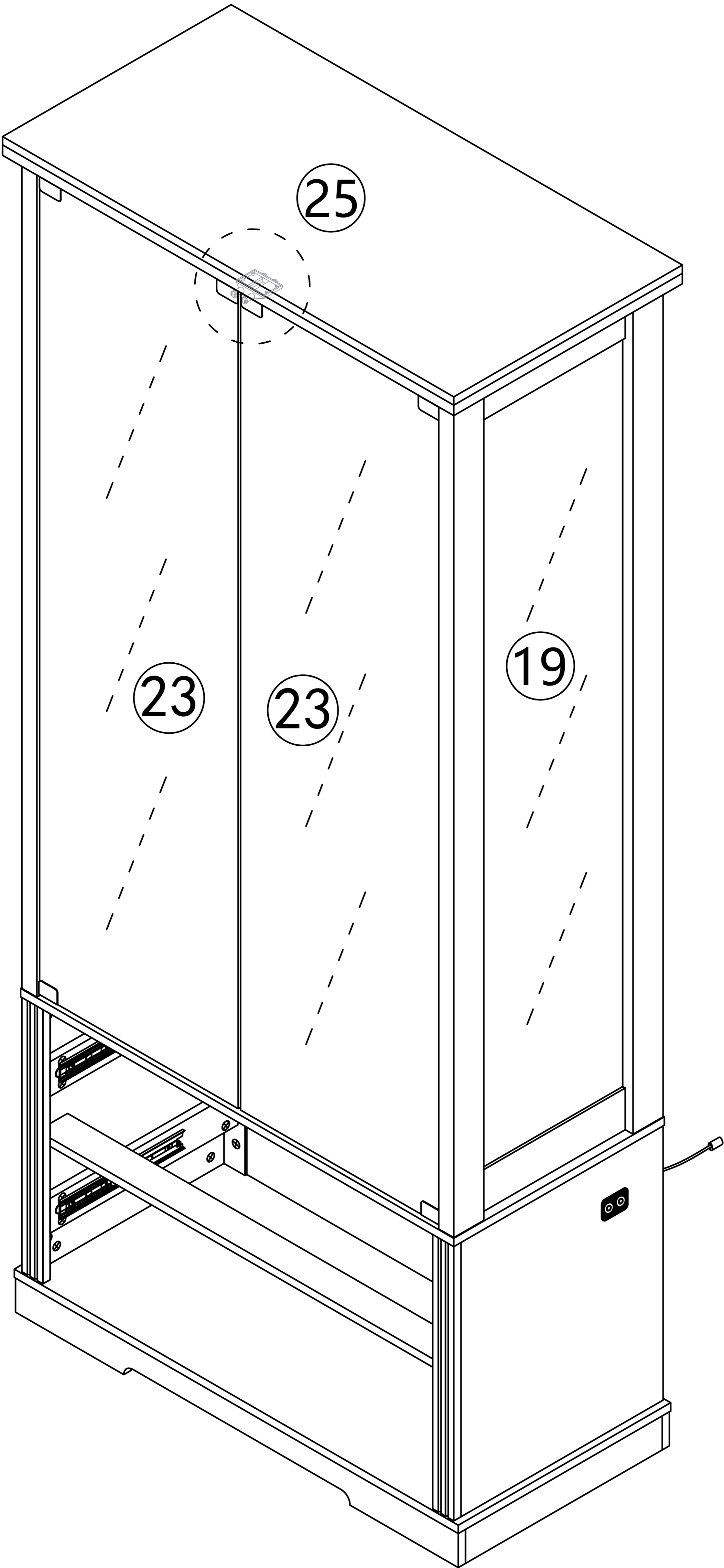
third

Locking screw

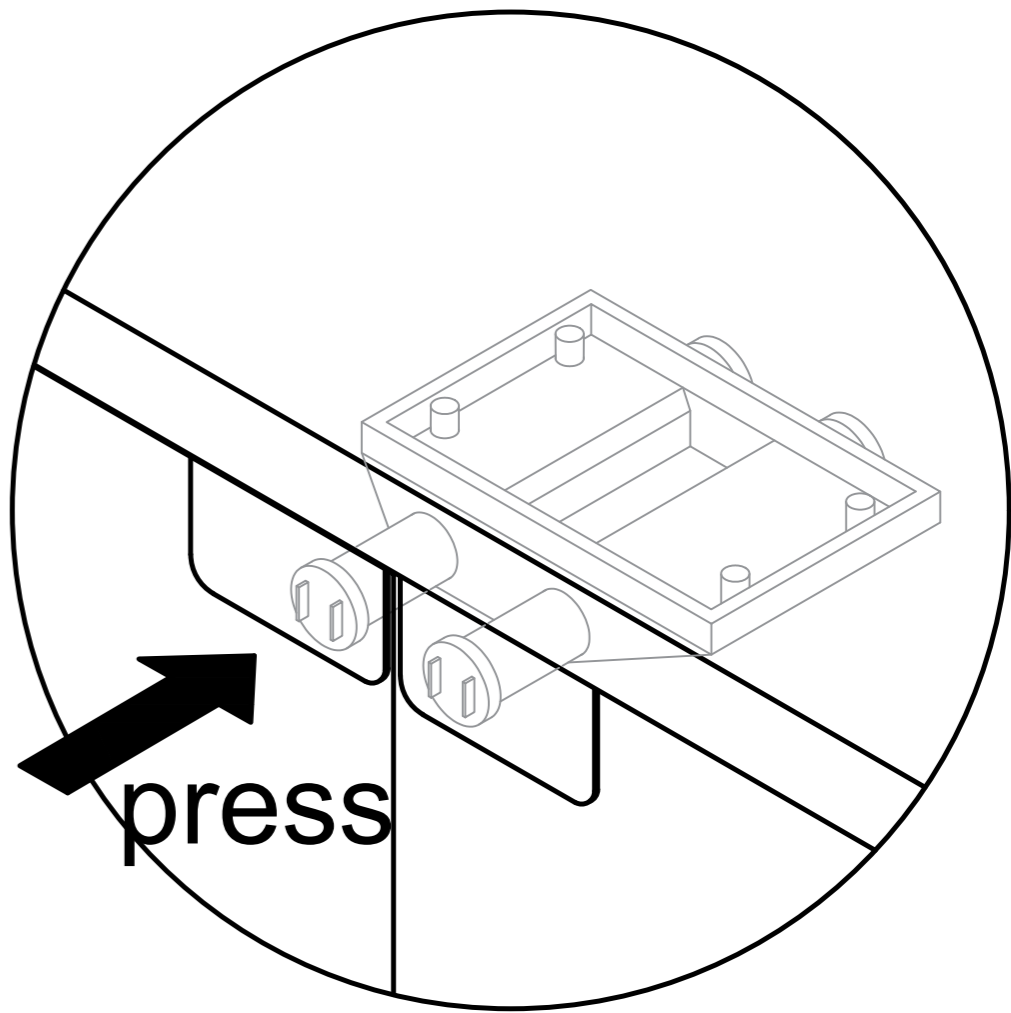


Step 58

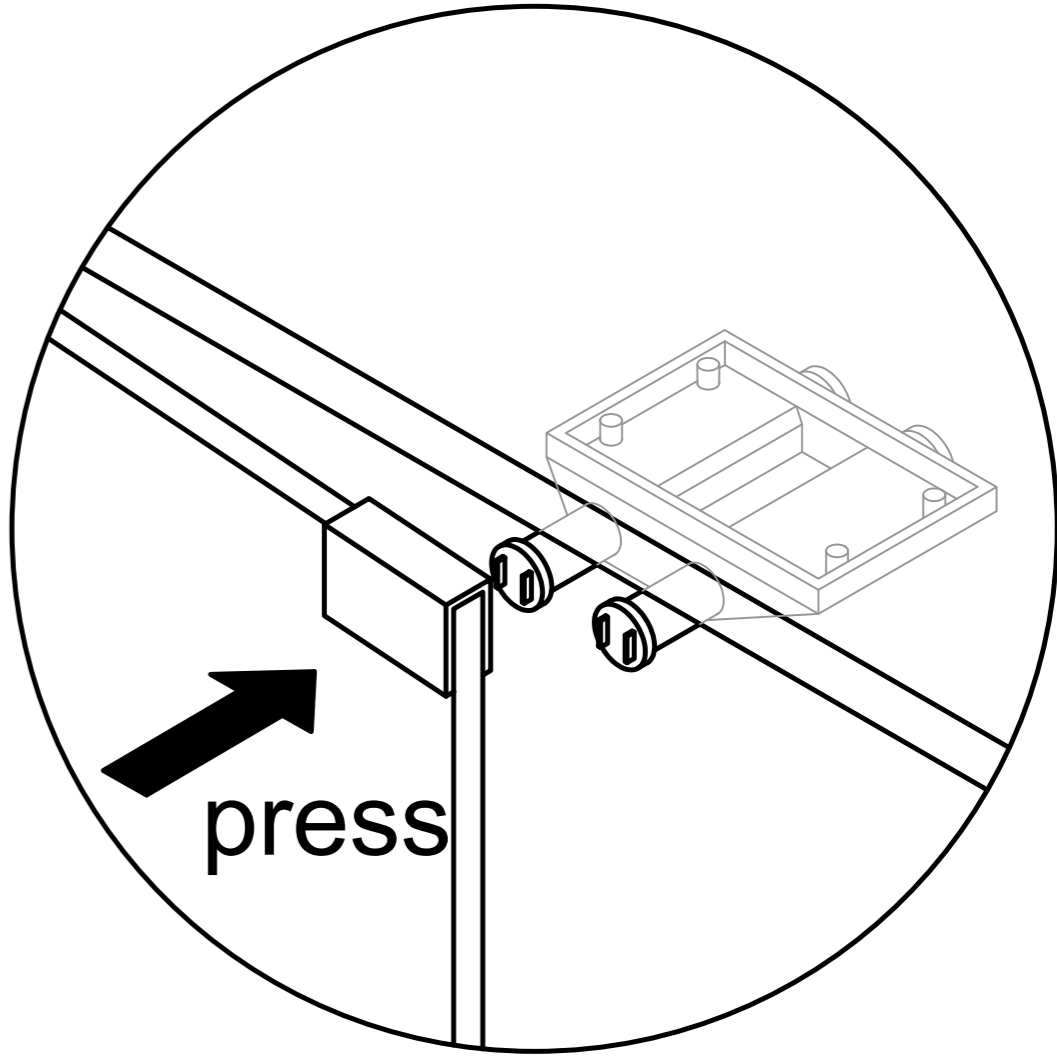
The rebound device automatically opens and closes by pressing



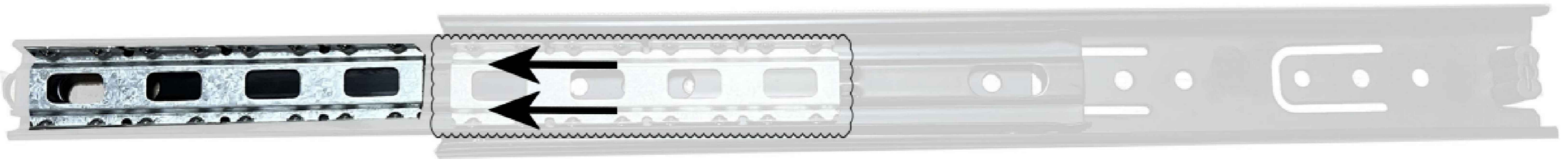
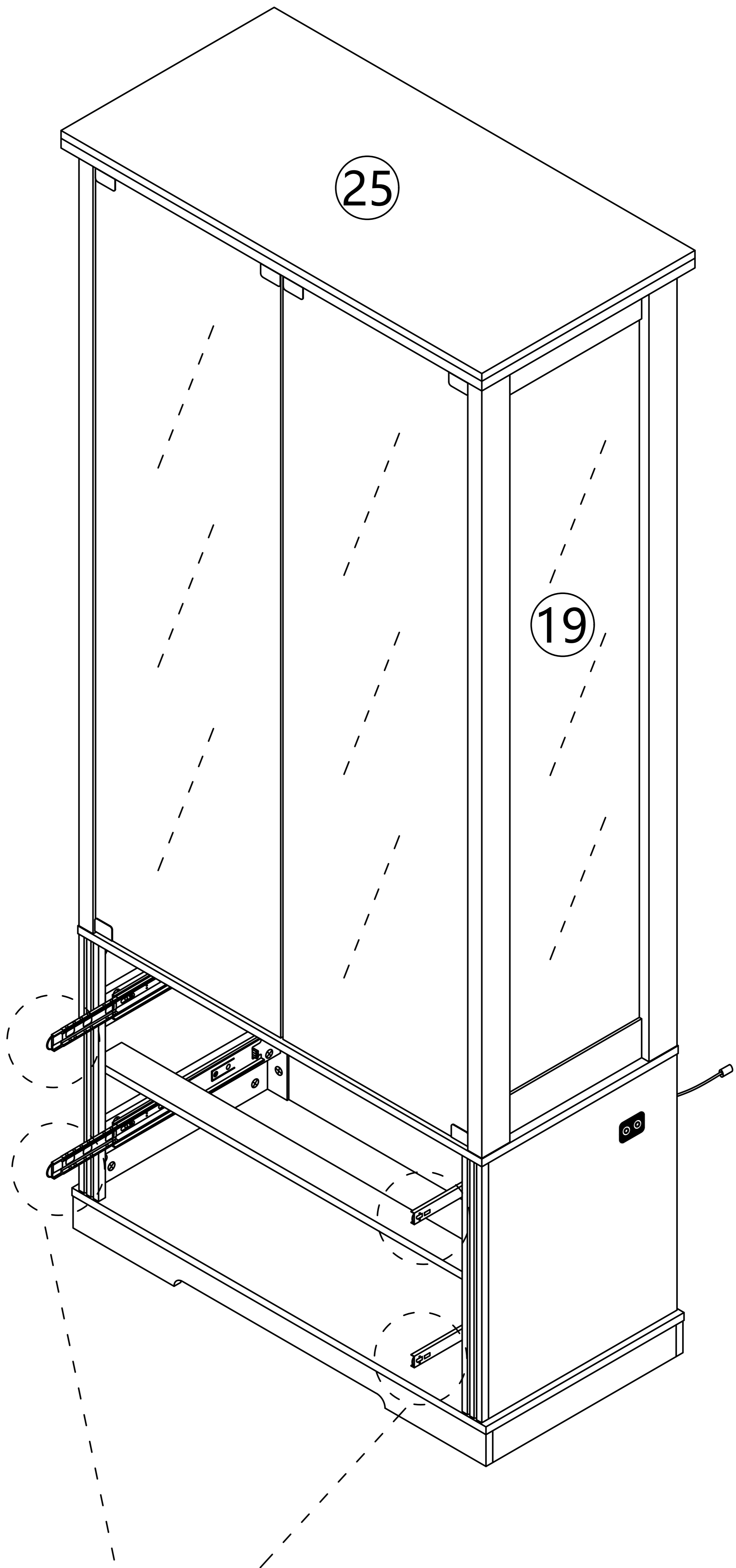
Open the glass door



Close the glass door



Step 59

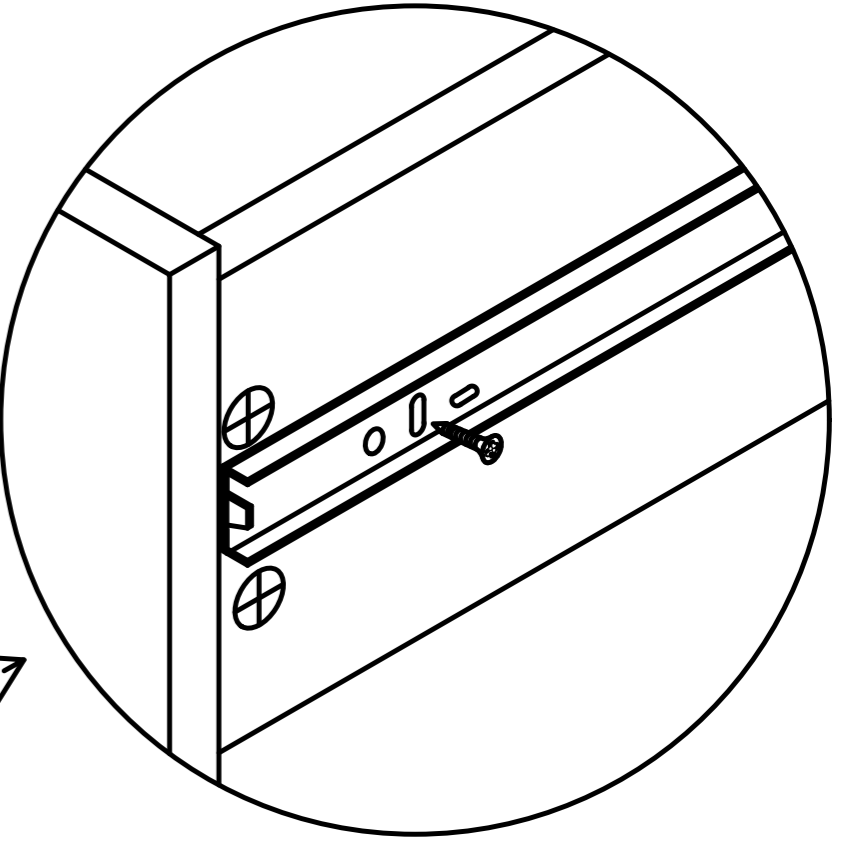
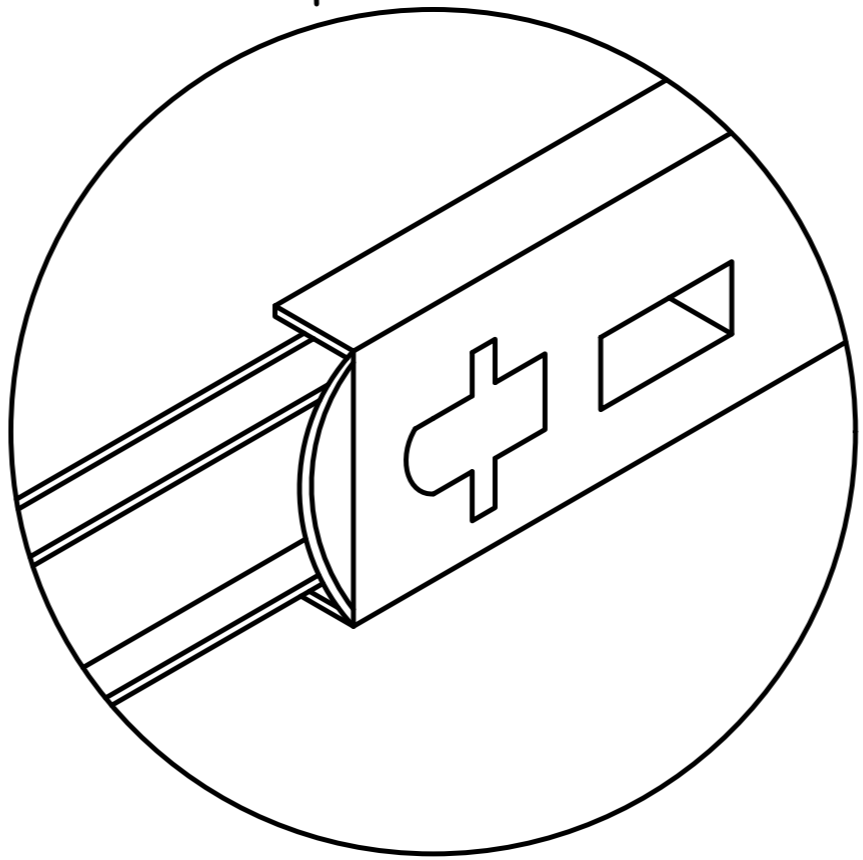
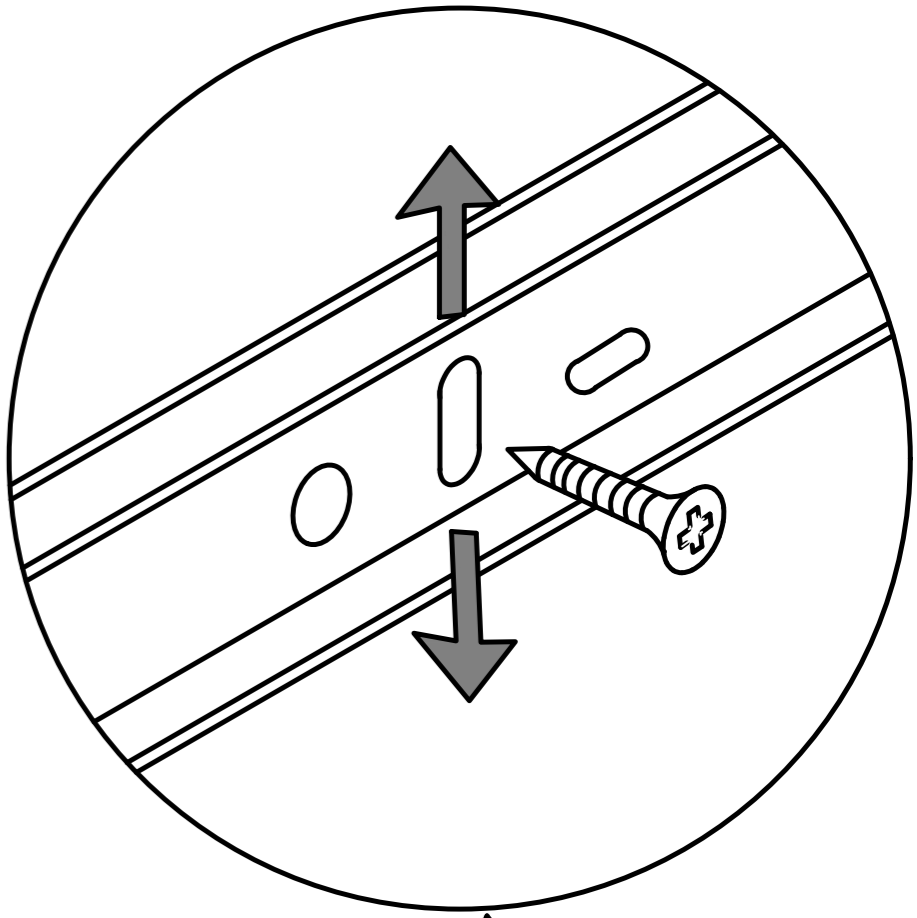
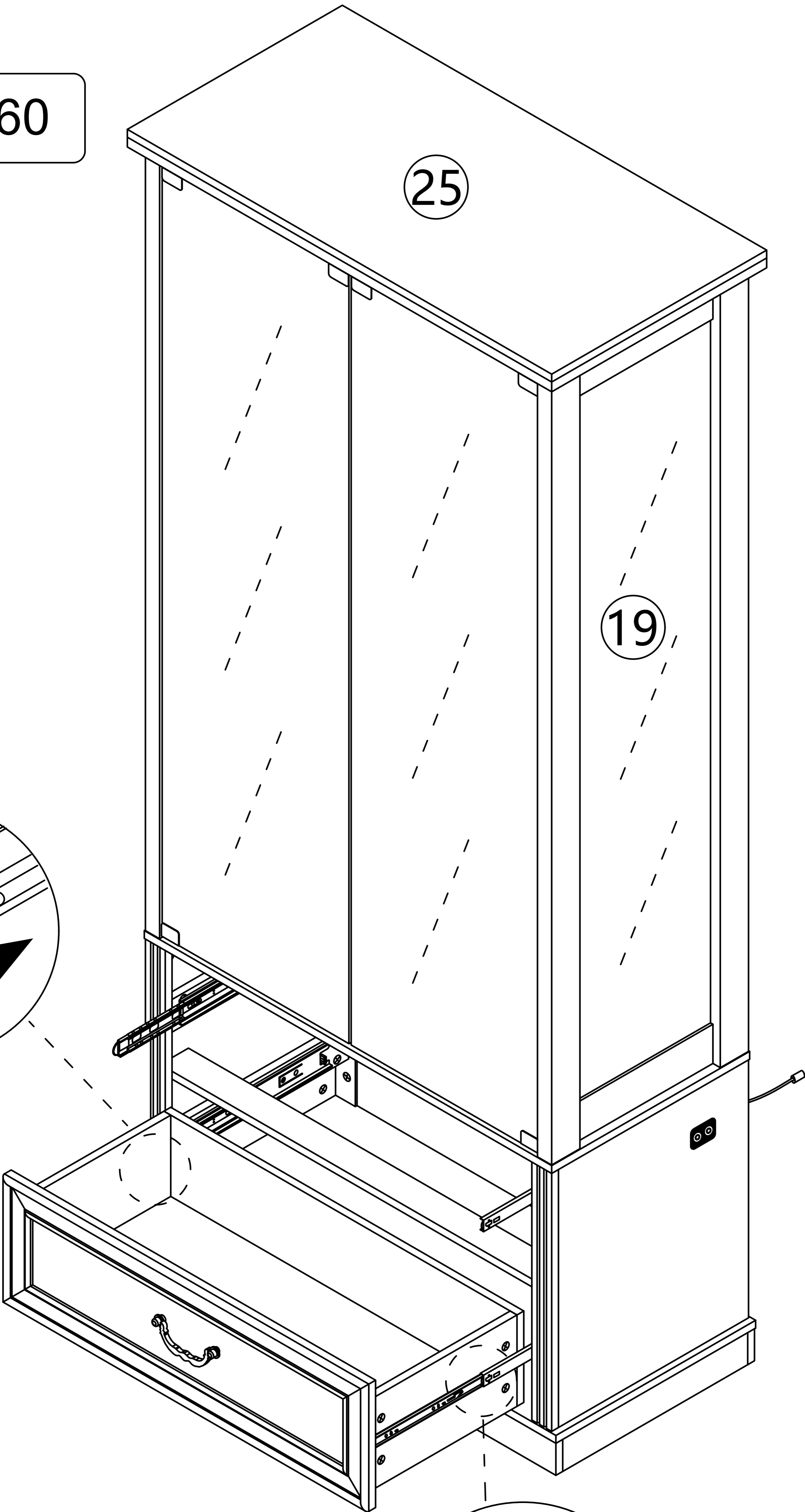
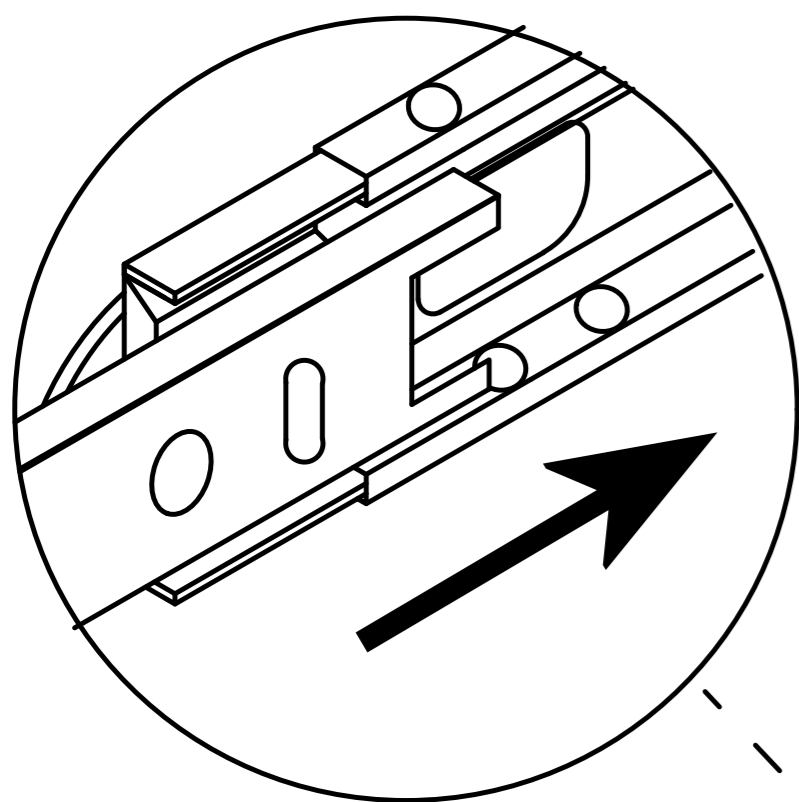


As shown, When installing the drawer, pull the guide rail out first, Slide beads are also pulled out.

Step 60

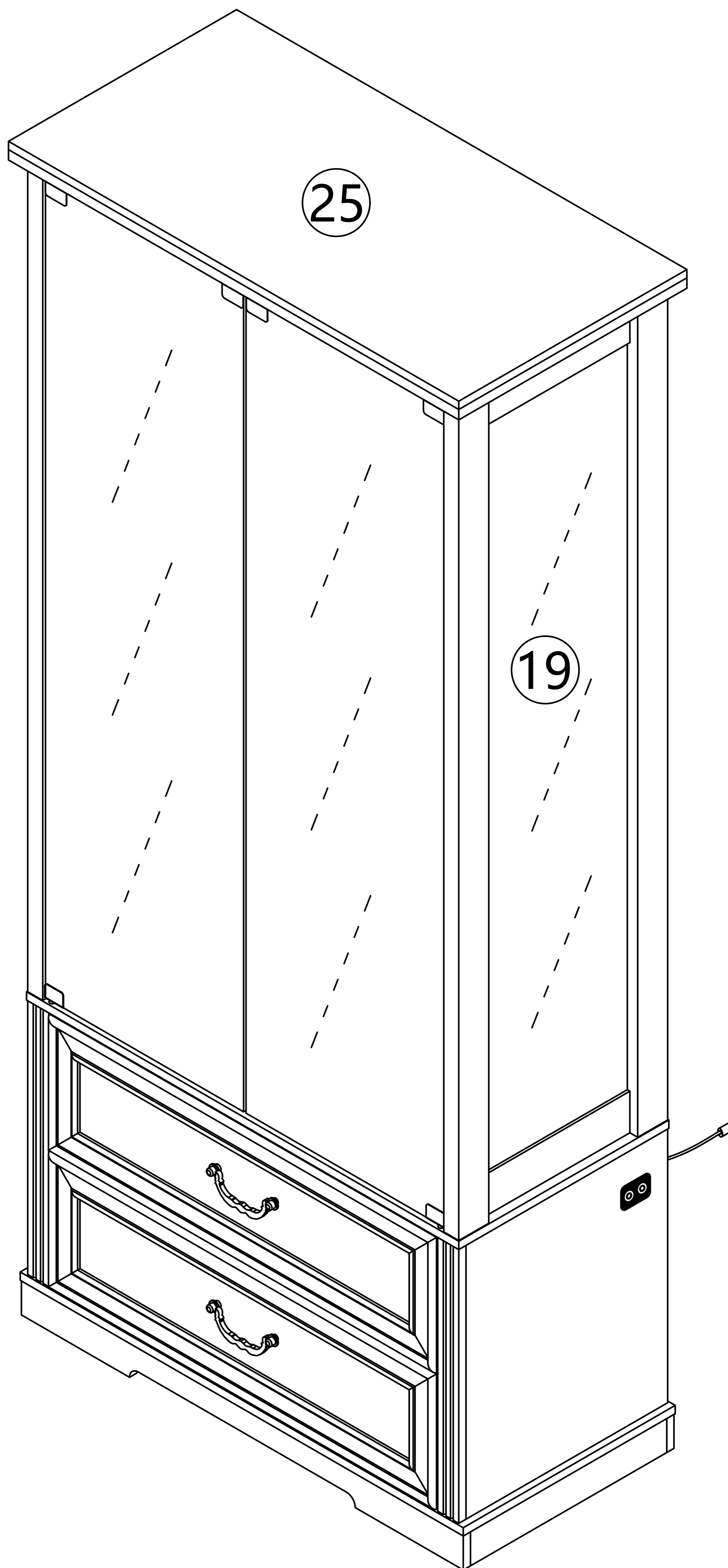
25

19



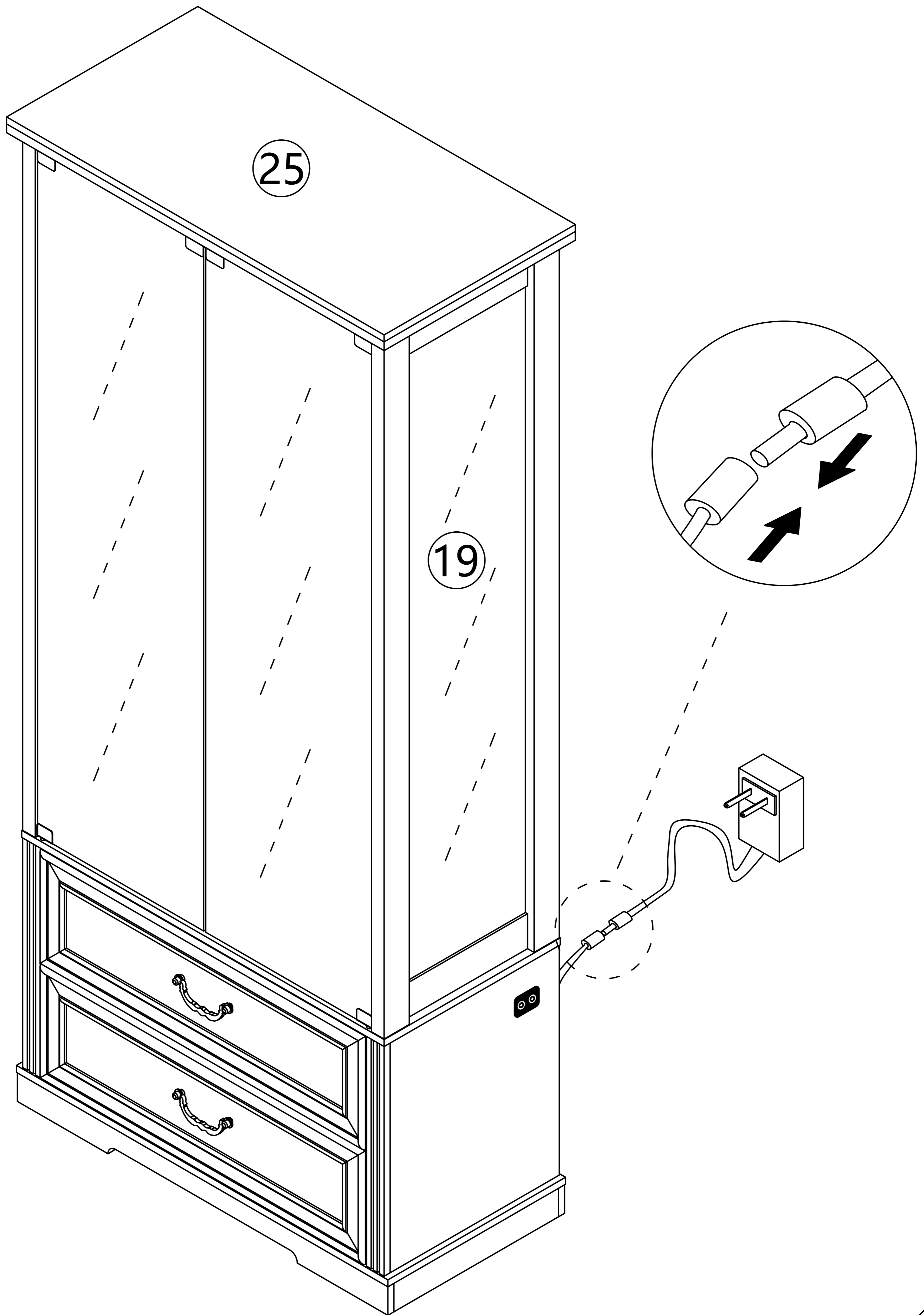
If a large gap is found after installing the drawer the slide rail can be moved up and down to adjust the gap

Step 61



Repeat the drawer installation steps

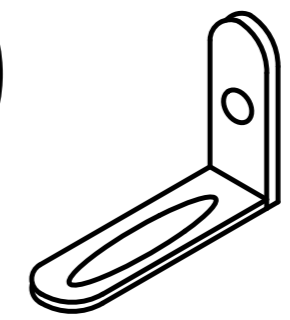
Step 62



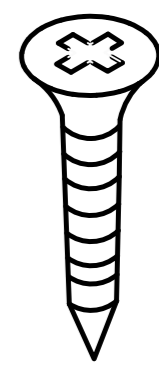
Step 63

Install as required

K



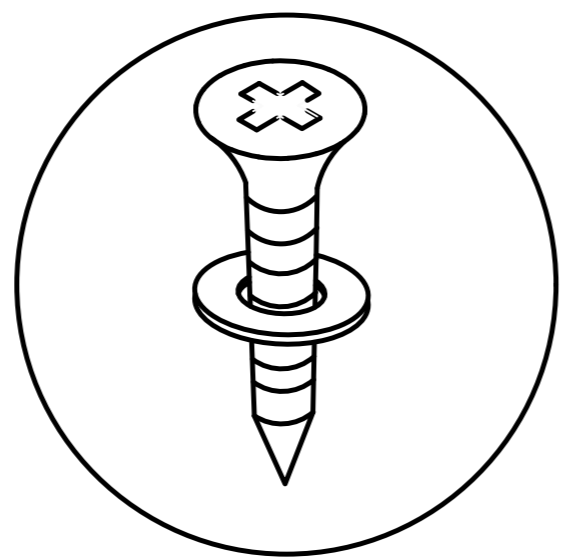
x2



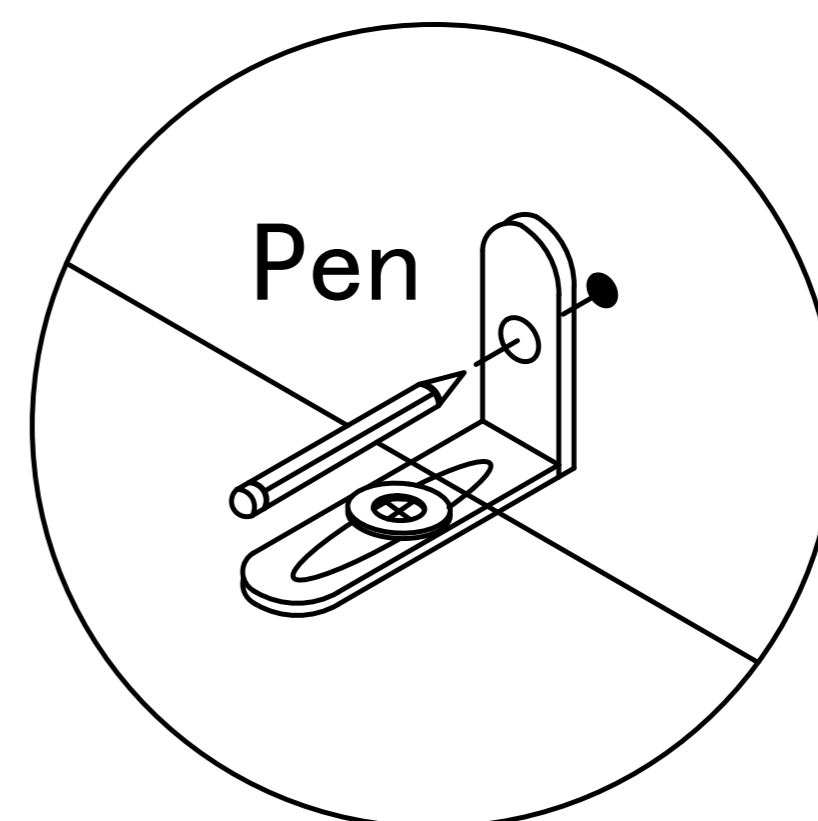
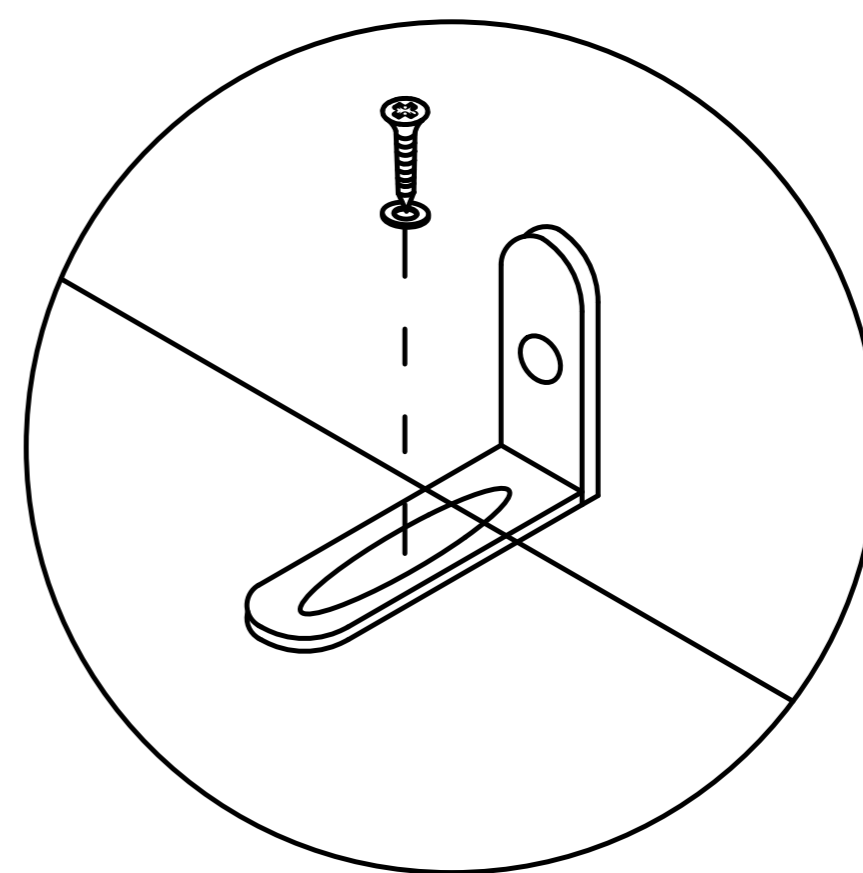
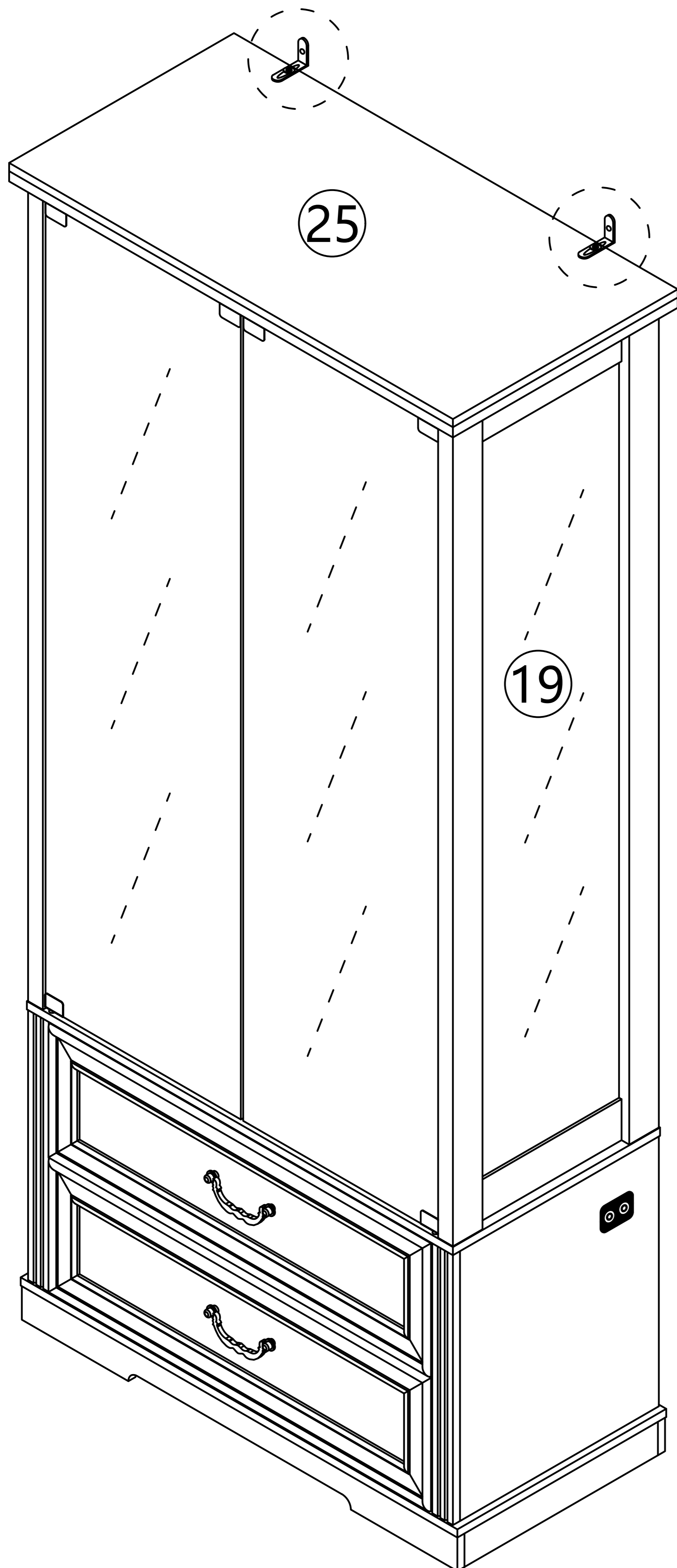
x2

○ x2

3.5x14mm

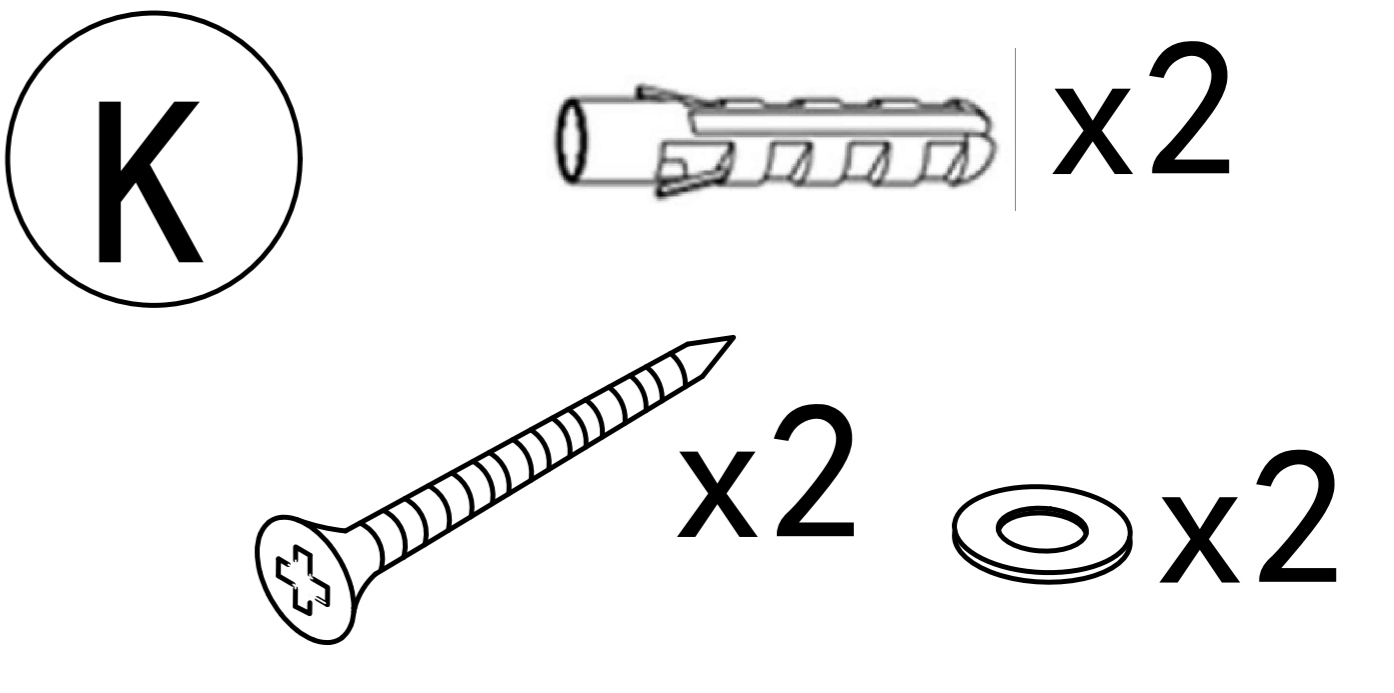
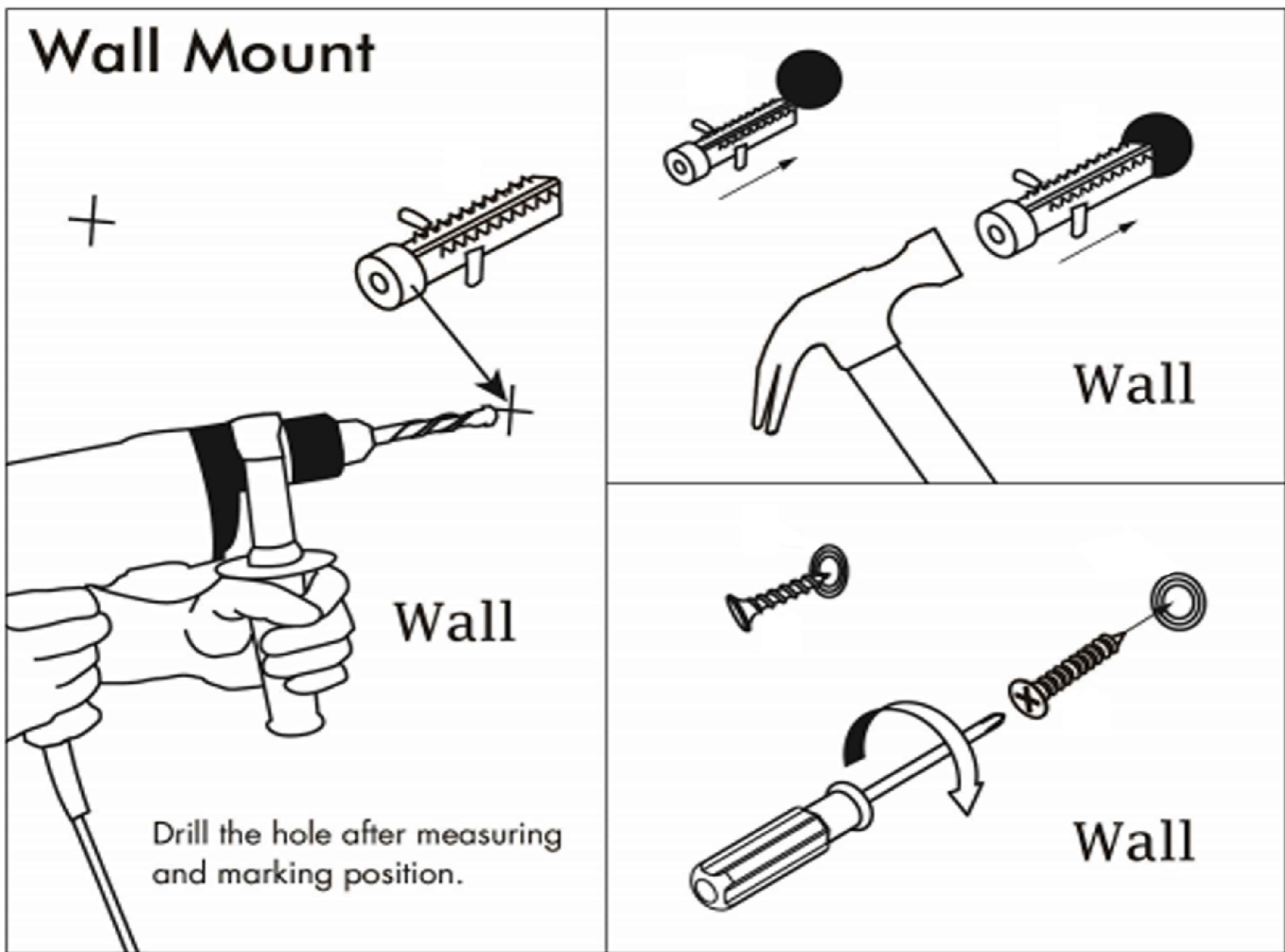


Install the anti fall hardware on the cabinet as shown in the picture first

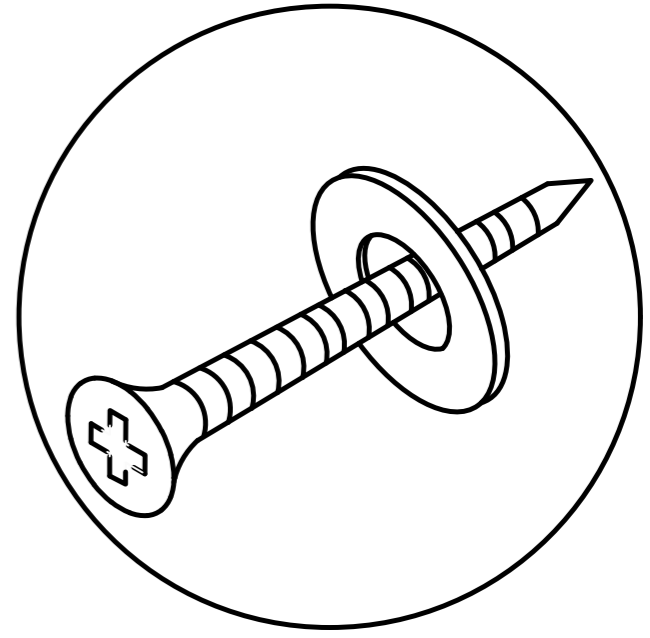
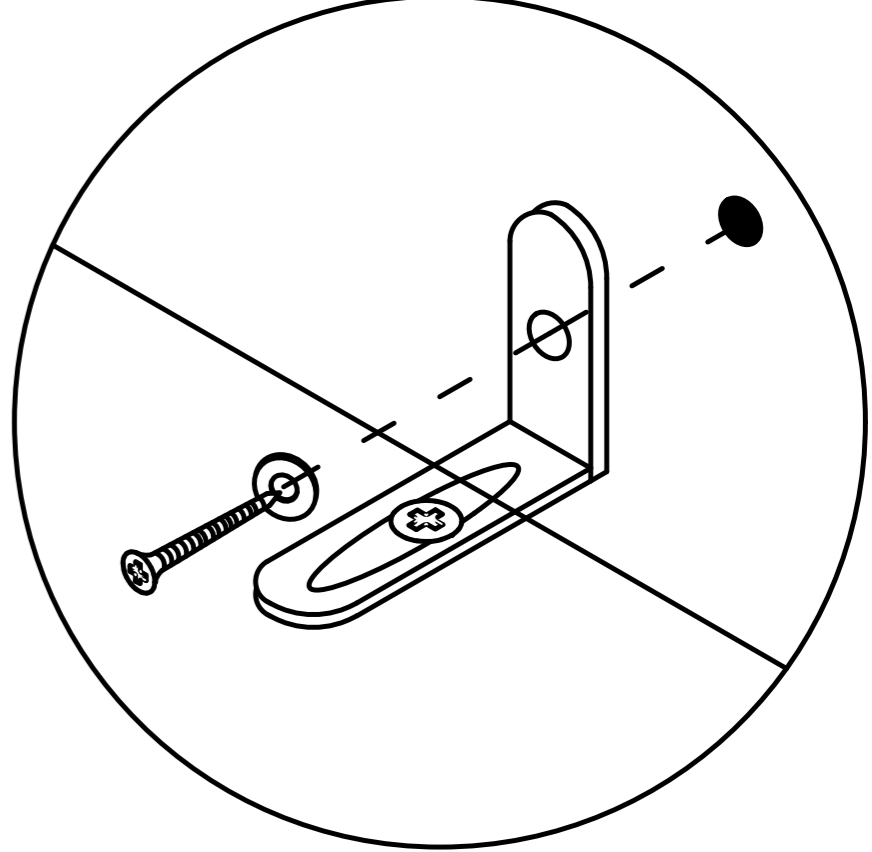
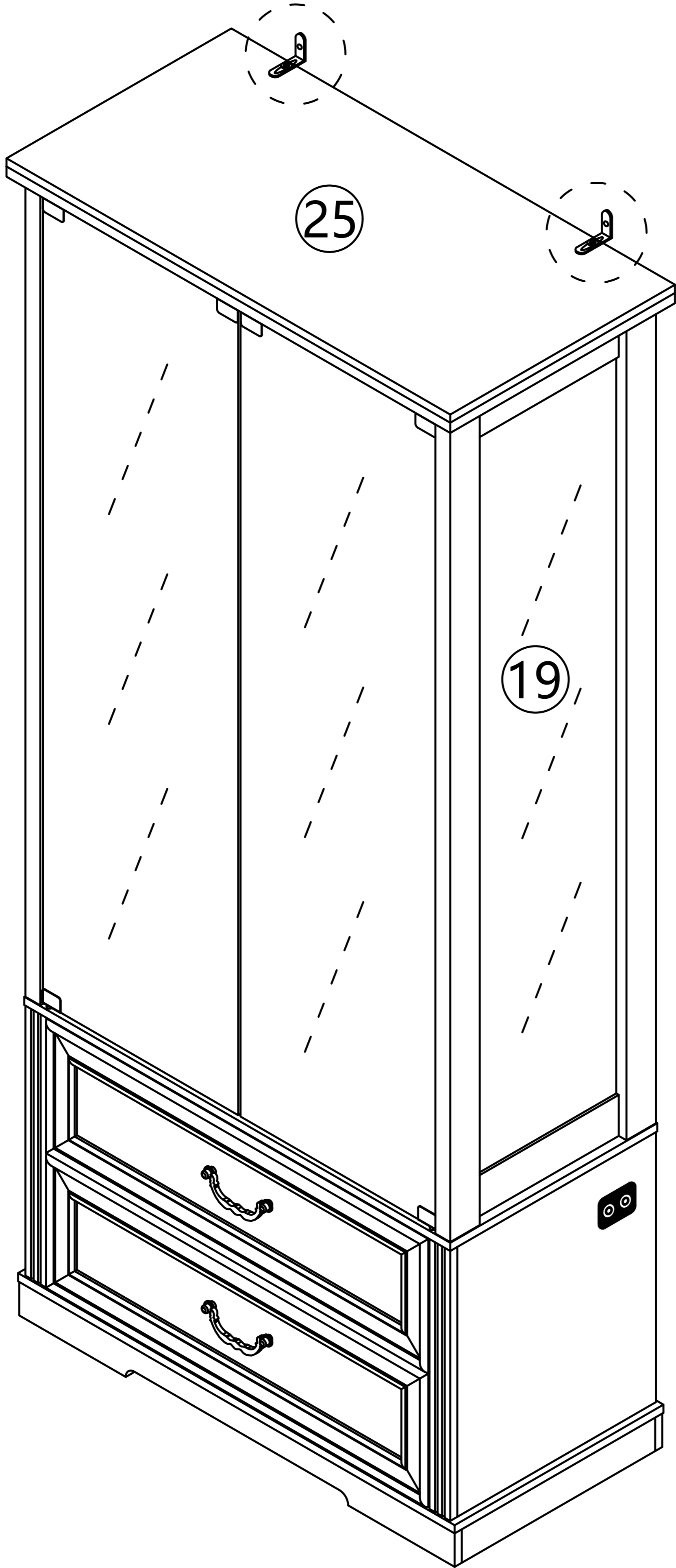


Then mark the wall with a pen through the holes in the anti-fall hardware

Step 64



Drill the hole with an electric drill and punch in the colloidal particles



4x45mm

Fix the dressing table to the wall

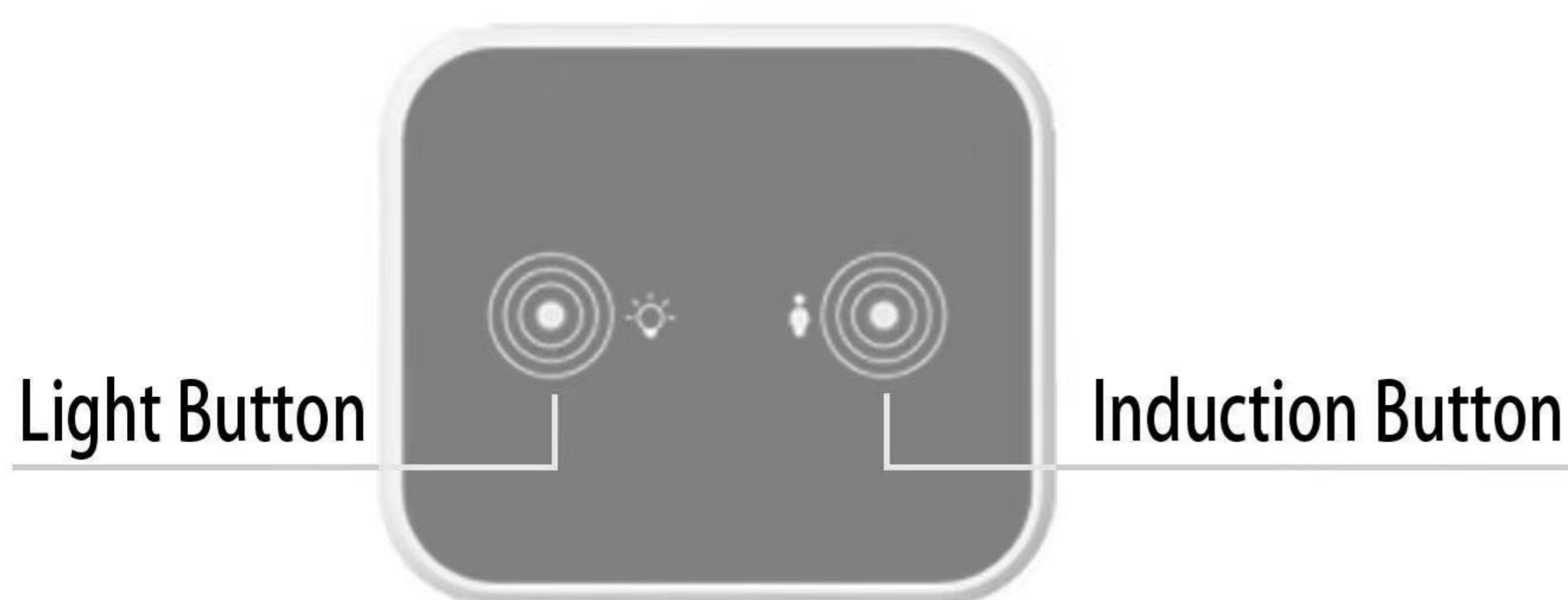
User's Guide

Thank you for purchasing this product. To use this product, please plug it into a 12V DC power supply. Please use if the product works normally after connecting to power.

Introduction

The box is an intelligent controller with 2 touch buttons. It can turn ON/OFF the light, change light colors, and adjust the light luminance.

Product Show



ATTENTION PLEASE

1. If there is no touch response suddenly, Re-plug the power to reset the touch static electricity.
2. If bubbles appear on the panel, remove the protective film.

Operation



This touch button is used to turn on/off, change colors, and adjust brightness.

A. Short touch -> lighting on -> short touch -> change light color -> short touch -> change light color -> short touch -> lighting off. B. Long touch -> adjust the luminance



This touch button is used to turn on/off the induction function.

A. Short touch to turn on the induction function. It can auto-turn on the light when people are close to the controller in 1 meters. It can auto power off the light when the body is far away from the controller after 30 seconds.

B. Long touch to turn off the induction function.

C. Note: When you touch the light button to change the light modes, the induction function will automatically turn off. It is best to turn on this function after selecting the light color and adjusting the brightness you want.