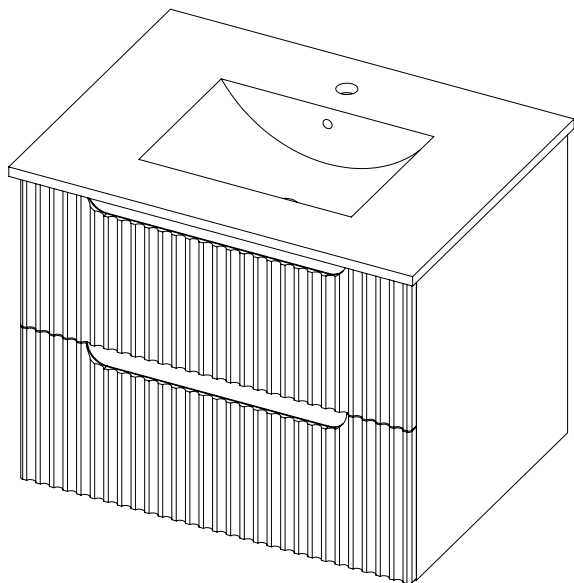


Installation Manual





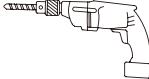
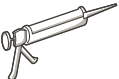
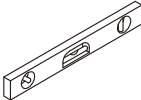
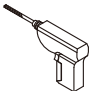
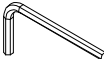
BV331



**Please keep the boxes if you need return;
Check before installation;
Return won't be accepted afterwards;**

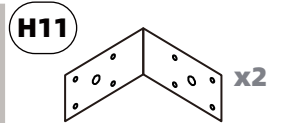
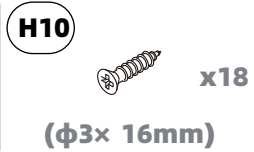
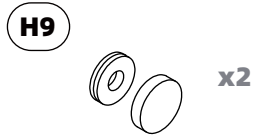
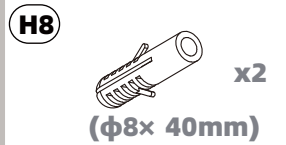
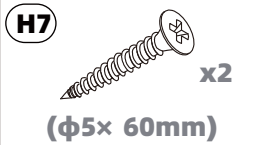
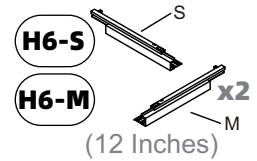
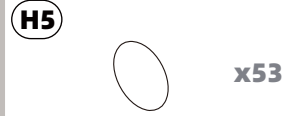
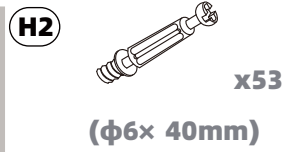
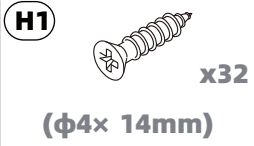
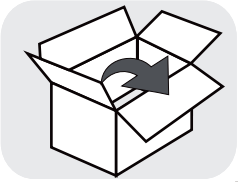
For any question, please contact: info@royold.com

Pre-installation preparation

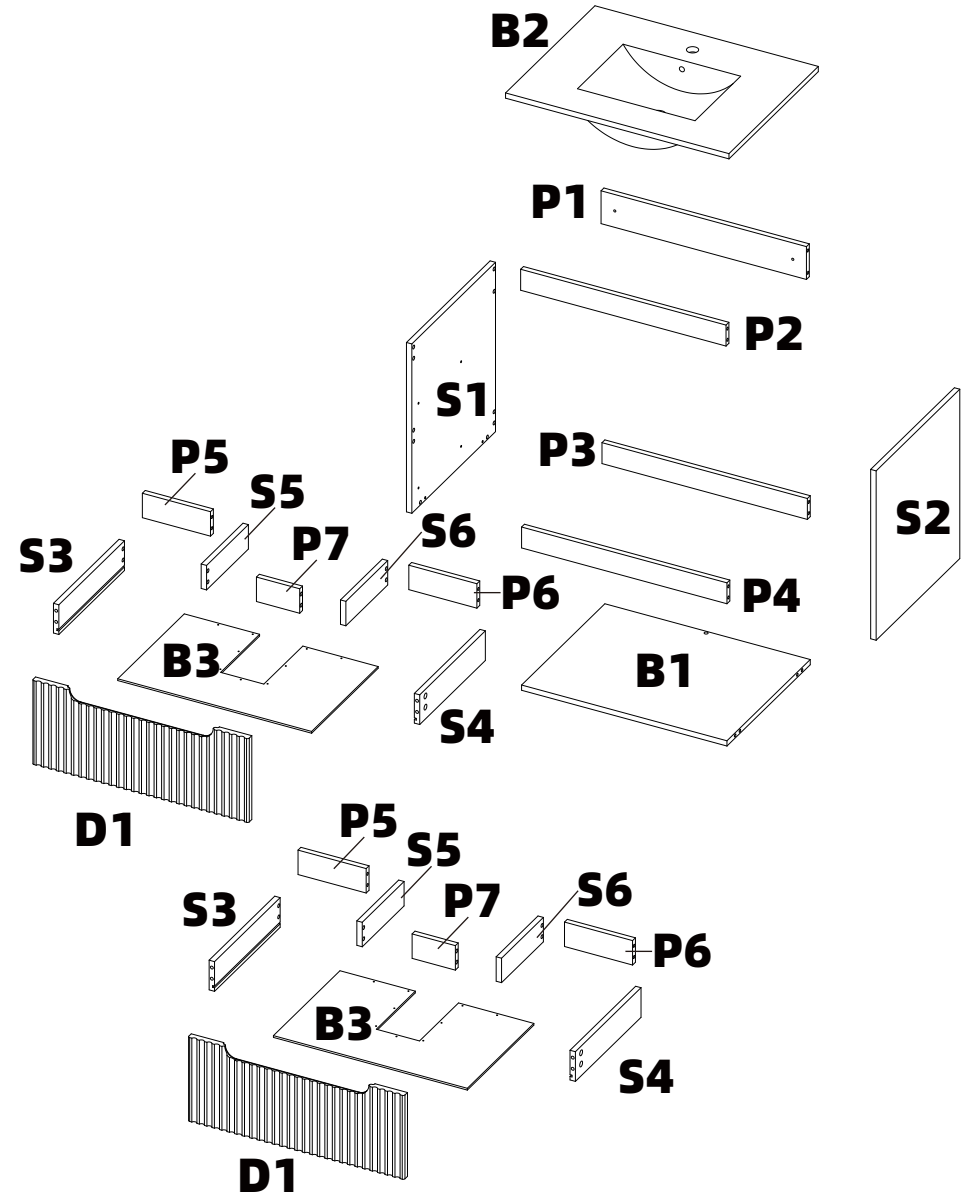
 Cross Screwdriver	 Hammer	 Tape Measure
 Pencil	 Electric Drill	 Glass Cement
 Leveling Rod	 Electric Drill	 Allen Key



Spare Parts List

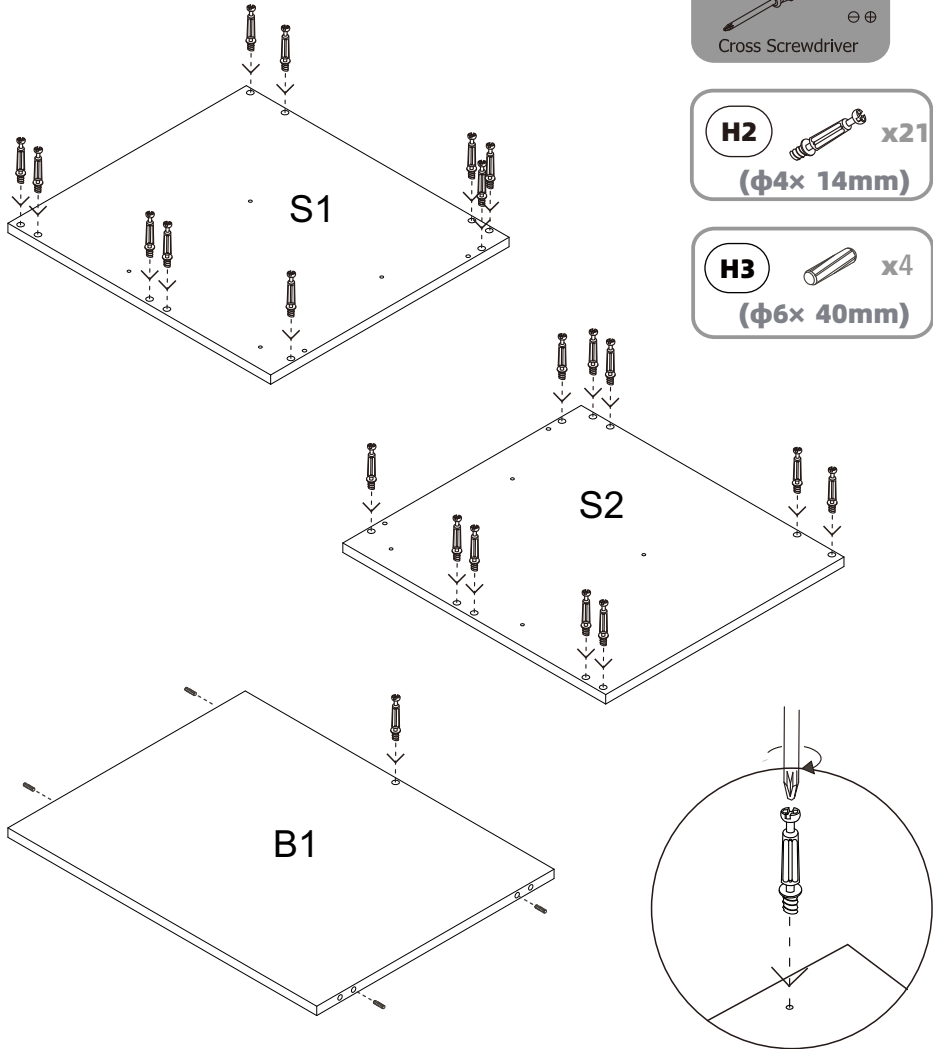


Structural Diagram



1

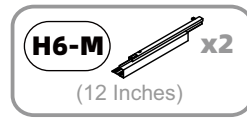
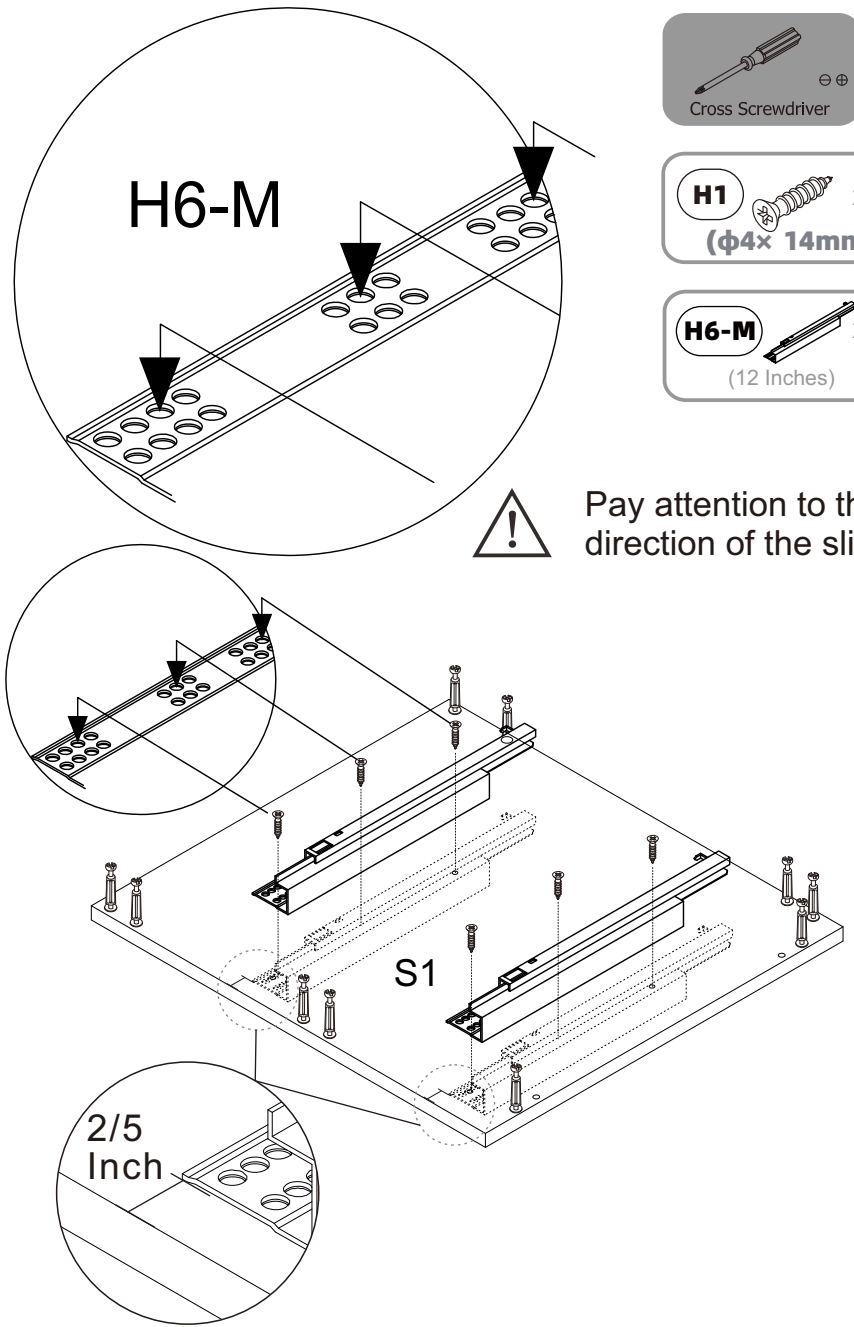
Neutral Board Installation



Make sure all "H2" screws are straight and right in place, not loose

2

Slider Installation

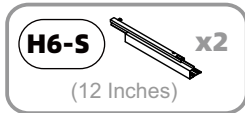
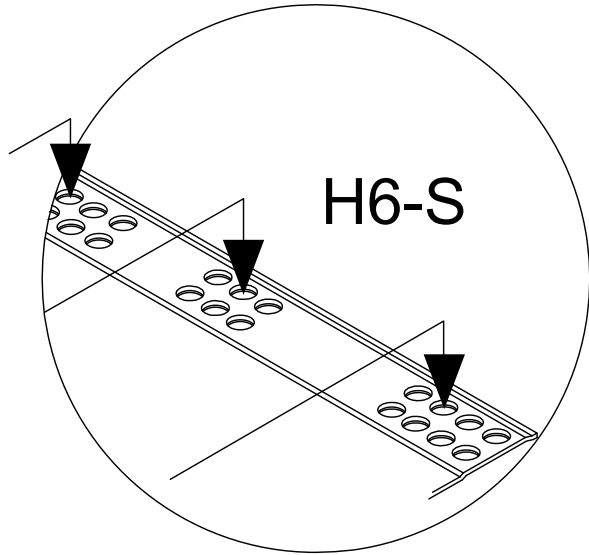


Pay attention to the direction of the slide

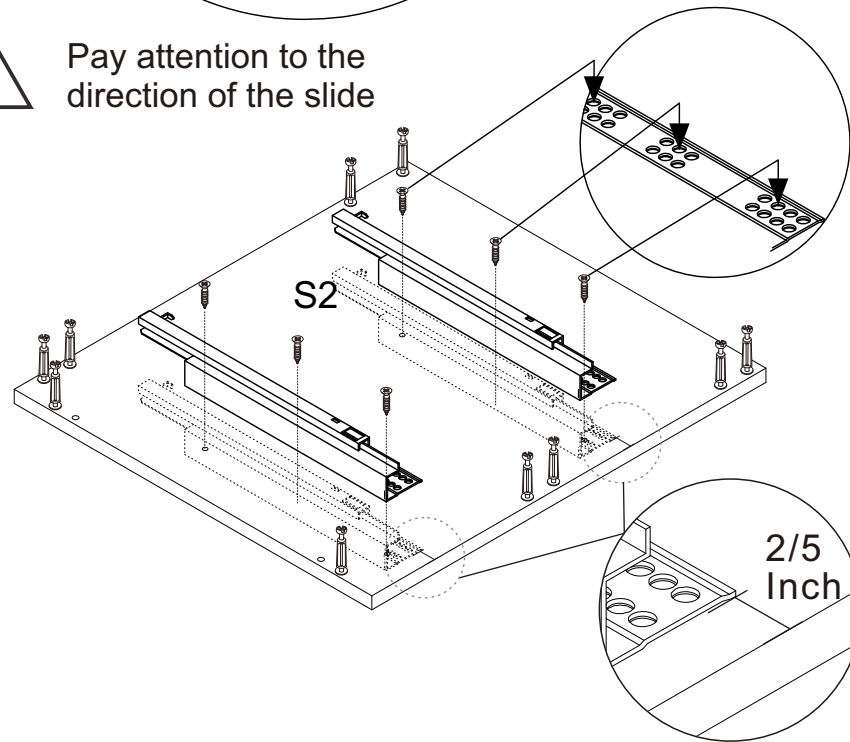
2/5 Inch

3

Slider Installation



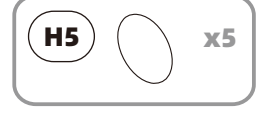
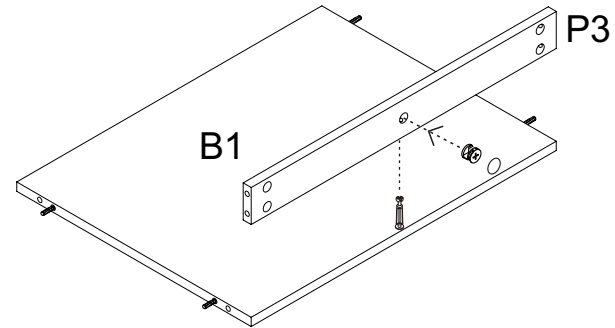
Pay attention to the direction of the slide



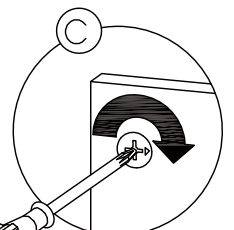
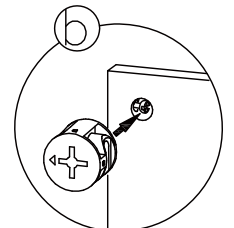
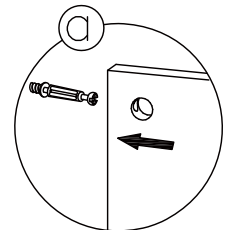
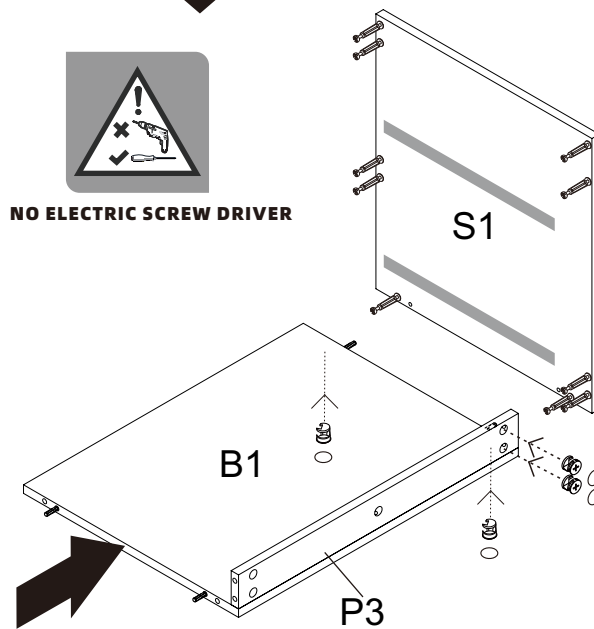
2/5 Inch

4

Neutral Board Installation



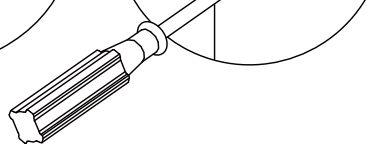
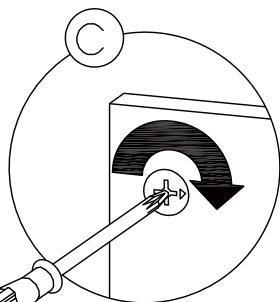
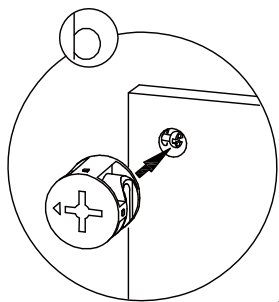
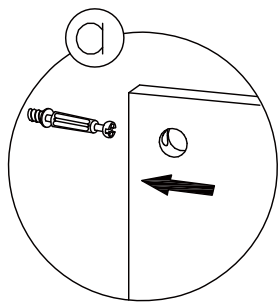
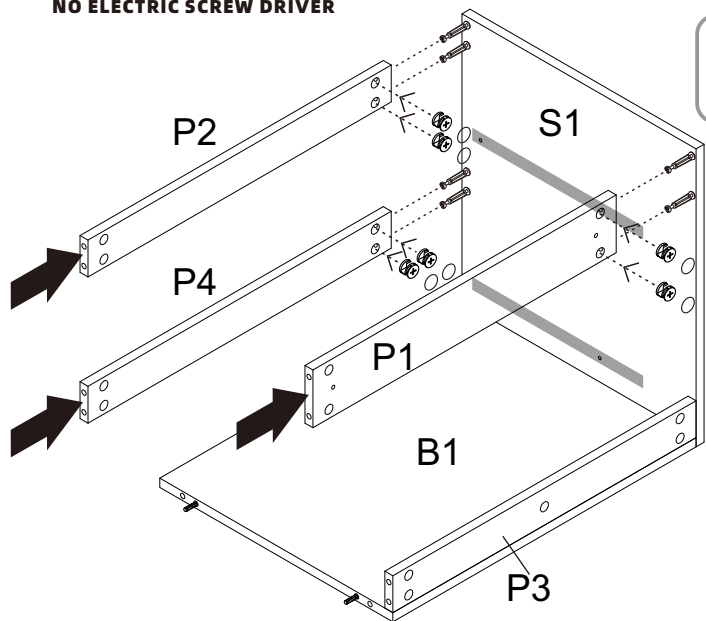
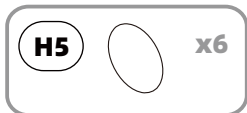
NO ELECTRIC SCREW DRIVER



5 Neutral Board Installation



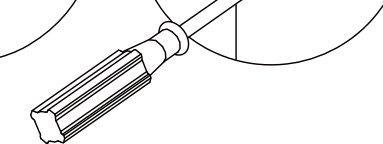
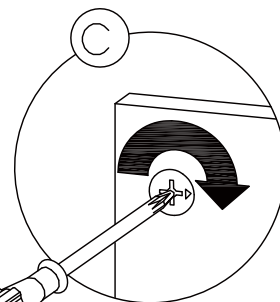
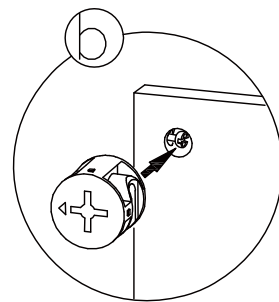
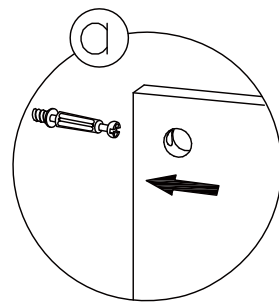
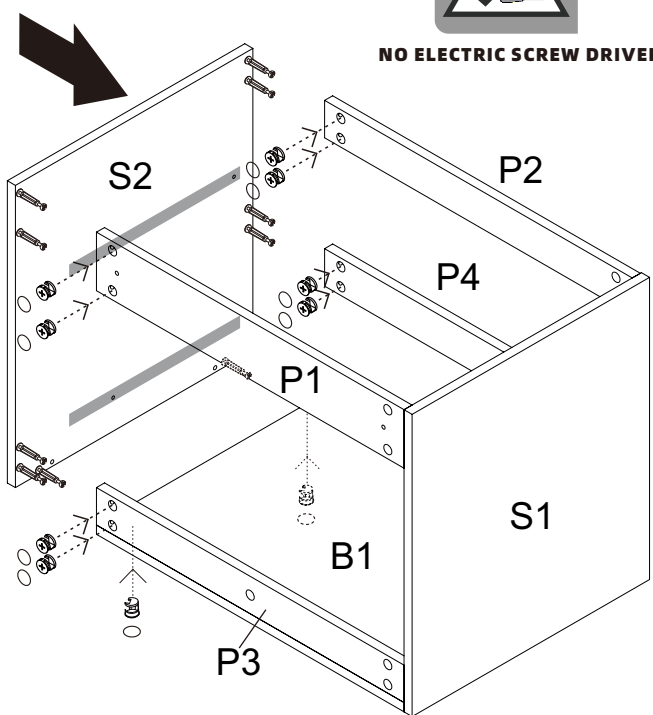
NO ELECTRIC SCREW DRIVER



6 Neutral Board Installation

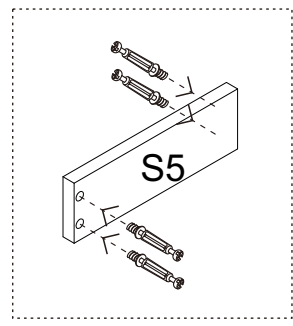
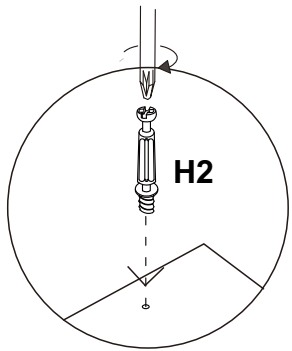
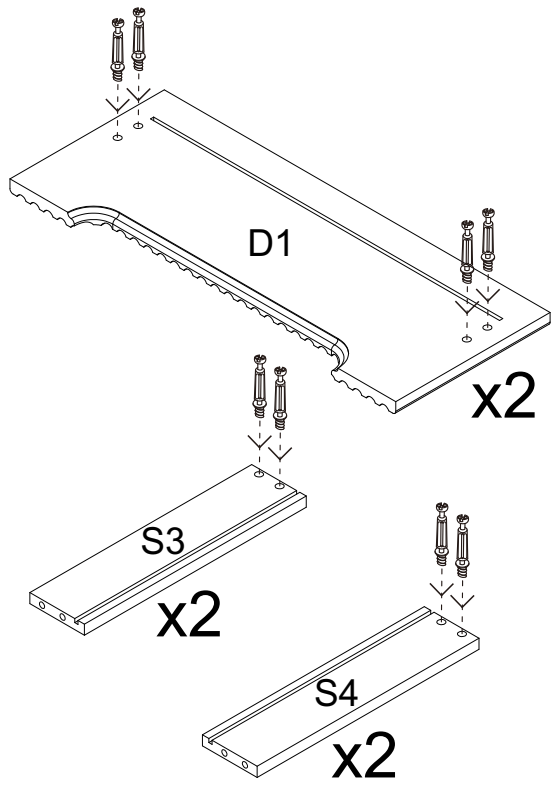


NO ELECTRIC SCREW DRIVER

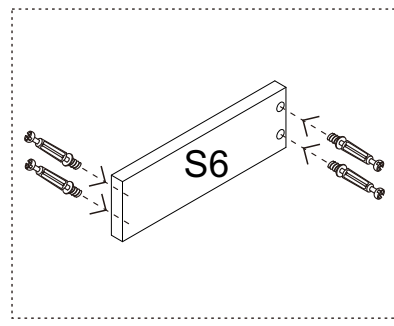


7

Drawer Installation



x2

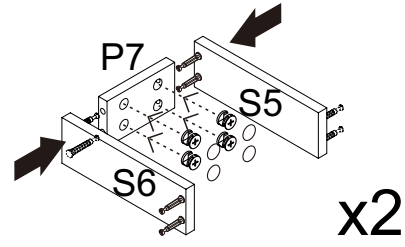
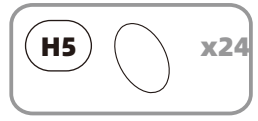


x2

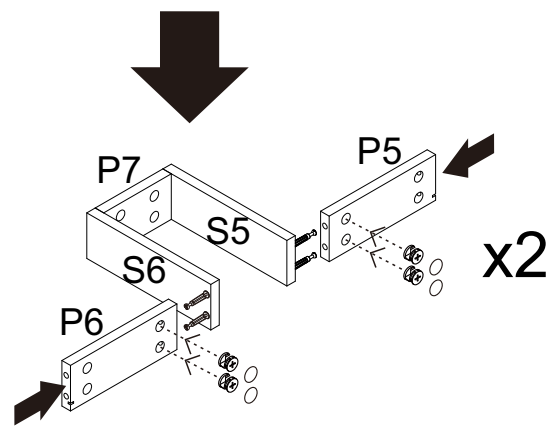
Make sure all "H2" screws are straight and right in place, not loose

8

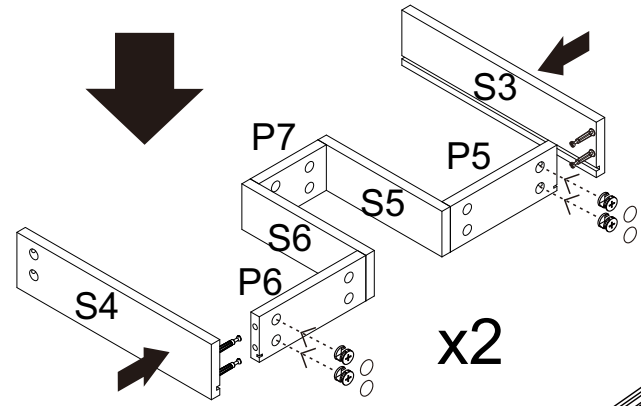
Drawer Installation



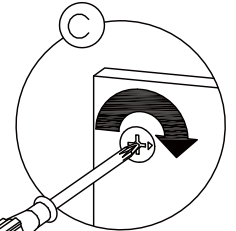
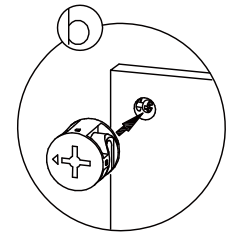
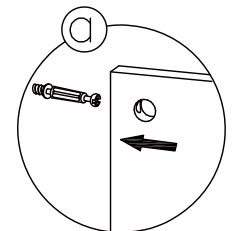
x2



x2

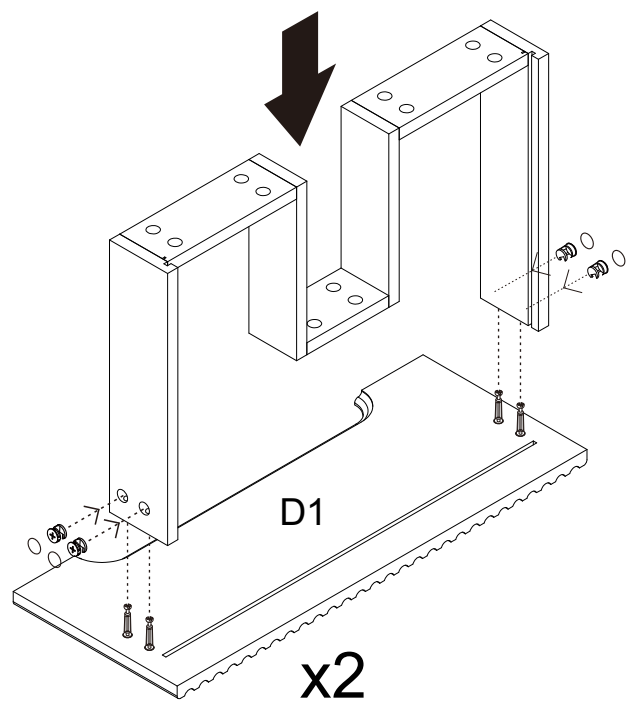
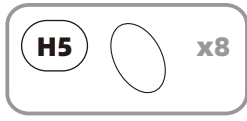


x2

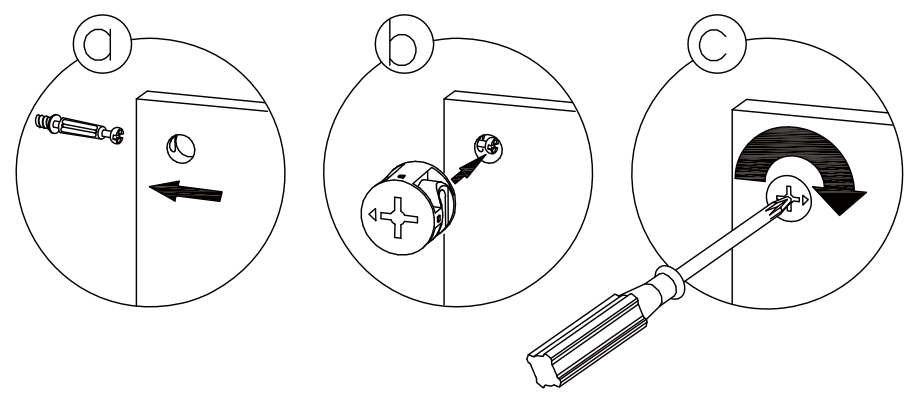


9

Drawer Installation

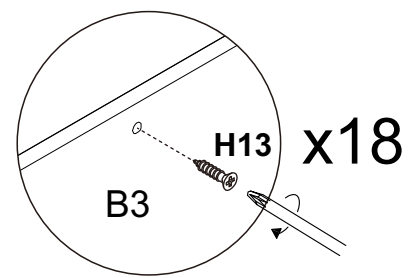
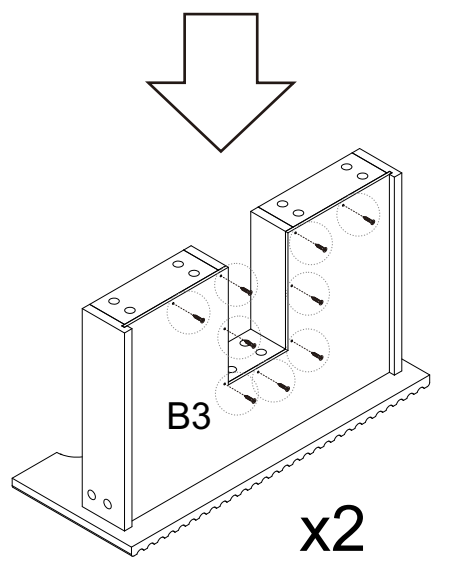
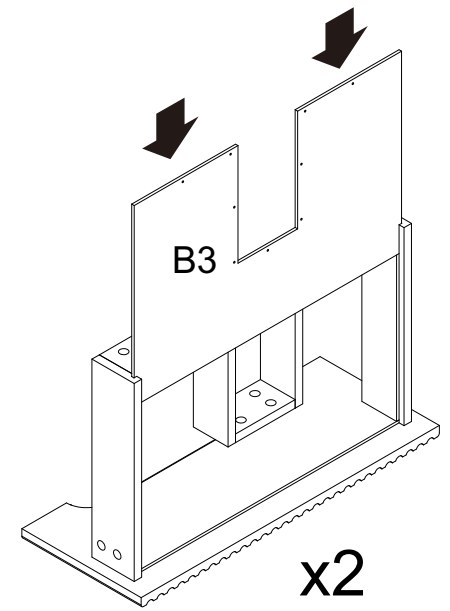


NO ELECTRIC SCREW DRIVER



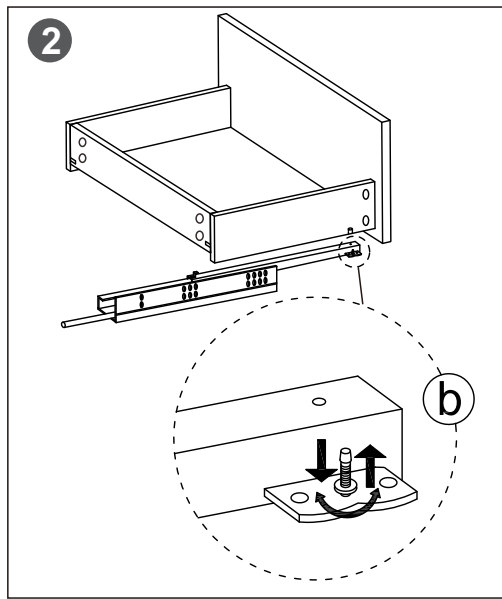
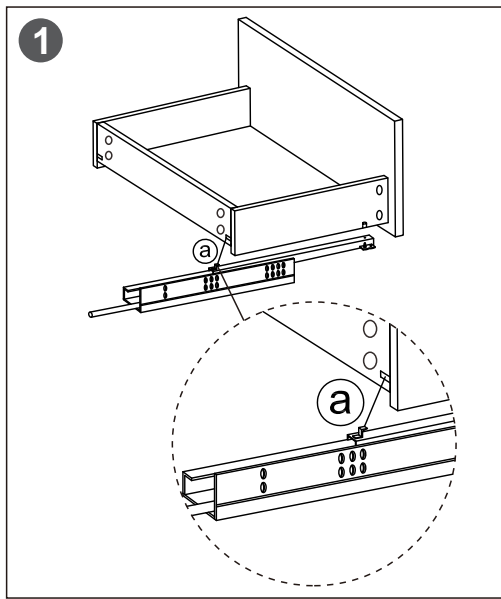
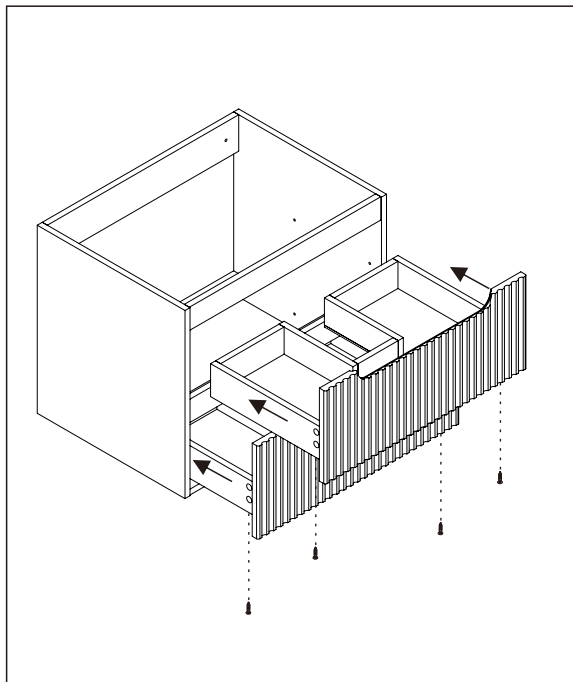
10

Drawer Installation



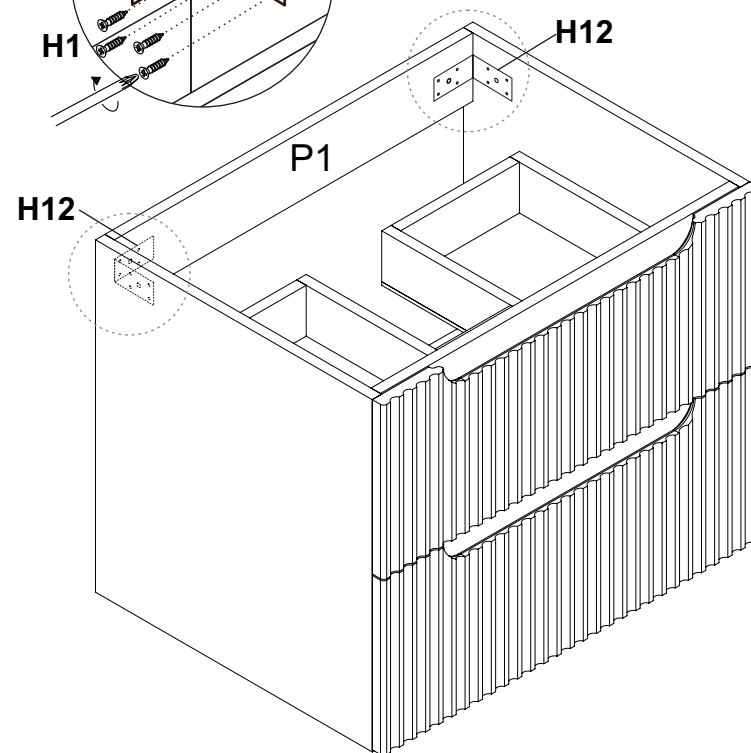
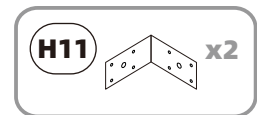
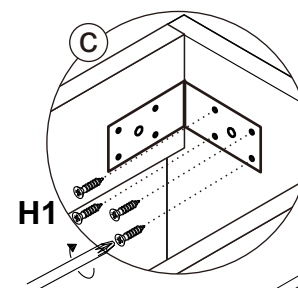
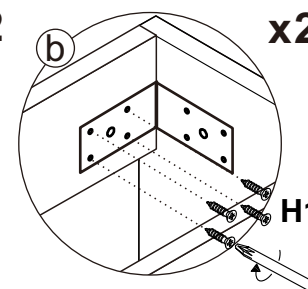
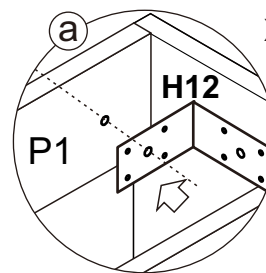
11

Drawer Installation



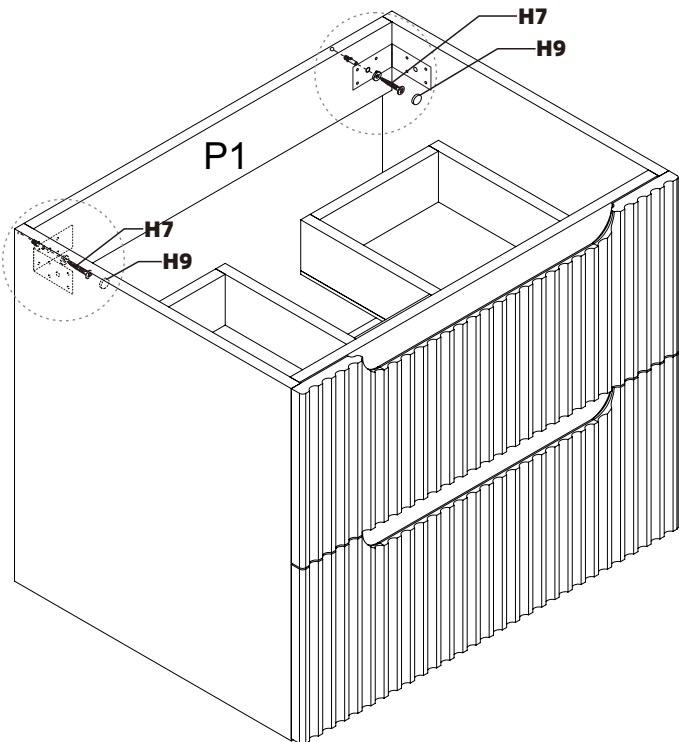
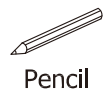
12

Cabinet Installation

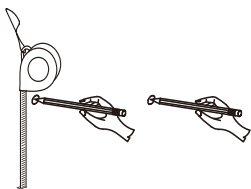


13

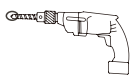
Cabinet Installation



1



2



3



14

Top Installation

