

BLANCO ZENOS

Item No. BM2850CH

metallic surface

high pressure

Pros



Clear function and striking design

- Striking, compact design
- Designed for latest kitchen trends
- Particularly recommended for smaller sinks
- Enlarged working radius with 360° swivelling spout

Colours



Available colours



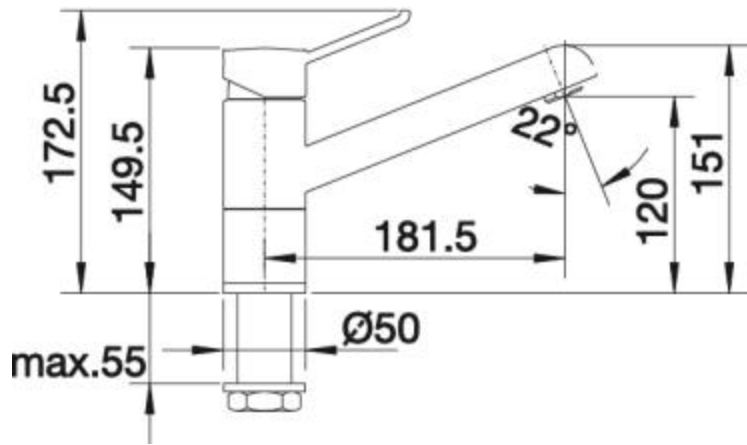
chrome

metallic surface

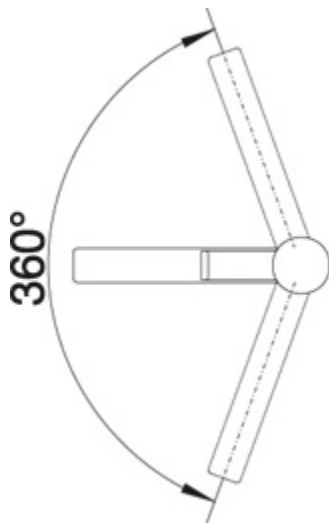
Item No. BM2850CH

high pressure

Details



Side View



Swivelling

Scope of supply

- Single-lever mixer tap
- Spout can be swivelled by 360°
- Ø 35 mm tap hole required
- with ceramic disk cartridge
- Flexible connector pipes, 450 mm long and 3/8" nut for particularly easy and safe installation
- Patented jet regulator for markedly reduced scaling
- Stabilisation plate to increase the stability of the tap when fitted in stainless steel sinks
- LGA approved
- DVGW approved

Please note:

High pressure supply only - Min. 0.5 bar pressure (approx 5 metre head) preferred 1.0 - 1.5 bar

Height: 172

Reach: 181

Base: 50

Tap hole: \varnothing 35

BLANCO UK Limited

Tel: 01923 635200

Fax: 0800 0911608

► www.blanco.co.uk