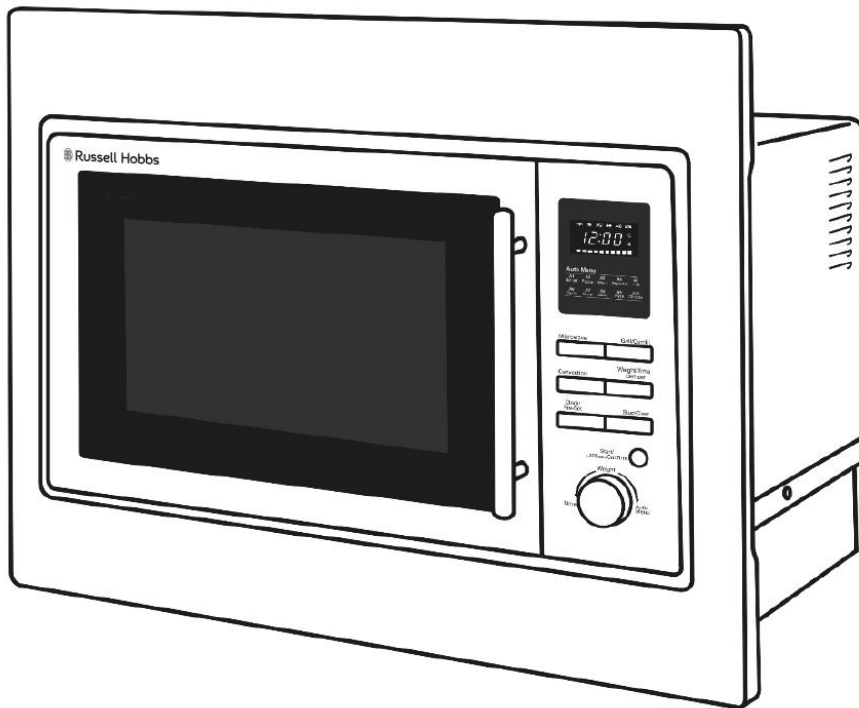




# Russell Hobbs

## Family Built in Digital Microwave User Guide



**Model Number:  
RHBM2503**

**PLEASE RETAIN  
FOR FUTURE REFERENCE**

# **CONTENTS**

	<b>Page(s)</b>
<b>SAFETY INSTRUCTIONS</b>	<b>3-9</b>
<b>ABOUT YOUR MICROWAVE</b>	<b>10-11</b>
<b>PRODUCT INFORMATION</b>	<b>12</b>
<b>UNPACKING THE MICROWAVE</b>	<b>13</b>
<b>PRODUCT OVERVIEW</b>	<b>14</b>
<b>MICROWAVE OVEN INSTALLATION</b>	<b>15-23</b>
<b>CONTROL PANEL</b>	<b>24</b>
<b>HOW TO USE THE MICROWAVE</b>	<b>25-37</b>
<b>COOKING TIPS</b>	<b>38</b>
<b>CLEANING THE MICROWAVE</b>	<b>39</b>
<b>PROBLEM SOLVING</b>	<b>40-43</b>
<b>GUARANTEE &amp; CUSTOMER SERVICES</b>	<b>44</b>
<b>SPARE PARTS</b>	<b>45</b>
<b>CONNECTION TO THE MAINS SUPPLY</b>	<b>46-47</b>
<b>DISPOSAL</b>	<b>48</b>

# **SAFETY INSTRUCTIONS**

## **IMPORTANT SAFETY INSTRUCTIONS** **READ CAREFULLY AND KEEP FOR FUTURE REFERENCE**

### **WARNING:**

- This appliance is intended to be used in the household and general domestic applications. It is not intended to be used in industrial or commercial applications.
- This appliance can be used by children aged from 8 years and above and persons with reduced physical, sensory or mental capabilities or lack of experience and knowledge if they have been given supervision or instruction concerning use of the appliance in a safe way and understand the hazards involved. Children shall not play with the appliance. Cleaning and user maintenance shall not be made by children without supervised.
- If the door or door seals are damaged, the oven must not be operated until it has been repaired by a competent person.
- It is hazardous for anyone other than a competent person to carry out any service or repair operation that involves the removal of a cover which gives protection against exposure to microwave energy.
- Liquids and other foods must not be heated in sealed containers since they are liable to explode.

# **SAFETY INSTRUCTIONS**

**READ CAREFULLY AND KEEP FOR FUTURE REFERENCE**

## **WARNING:**

- Use only cookware and utensils that are approved for use in a microwave oven.
- When heating food in plastic or paper containers, keep an eye on the oven due to the possibility of ignition.
- This microwave is intended for heating food and beverages only. The drying of food or clothing and heating of warming pads, wheat bags, slippers, sponges, damp cloth and similar is extremely dangerous and may lead to risk of injury, ignition or fire.
- If materials inside the oven smoke or catch fire, keep the oven door closed to stifle the flames, turn the oven off at the wall switch, or shut the power off at the fuse or circuit-breaker panel. If smoke is emitted, switch off or unplug the appliance and keep the door closed in order to stifle any flames.
- Microwave heating of beverages can result in delayed eruptive boiling, therefore care must be taken when handling the container.

# **SAFETY INSTRUCTIONS**

**READ CAREFULLY AND KEEP FOR FUTURE REFERENCE**

## **WARNING:**

- The contents of feeding bottles and baby food jars shall be stirred or shaken and the temperature checked before consumption, in order to avoid burns. Do not heat baby bottles with the teat left on. Remove it if replacing the bottle back into the oven.
- Eggs in their shell and whole hard-boiled eggs should not be heated in microwave ovens since they may explode, even after microwave heating has ended.
- The oven should be cleaned regularly and any food deposits removed.
- Failure to maintain the oven in a clean condition, especially if liquid is left under the turntable, could lead to deterioration of the surface that will adversely affect the life of the appliance that may result in a hazardous condition.
- If the supply cord is damaged, it must be replaced by the manufacturer, its service agent or similarly qualified persons in order to avoid a hazard.

# **SAFETY INSTRUCTIONS**

**READ CAREFULLY AND KEEP FOR FUTURE REFERENCE**

## **WARNING:**

- To avoid fire, electric shock, or injury, never immerse the microwave, cord, or plug in water or liquid.
- Do not use attachments not recommended by the manufacturer. Only use thermometers approved for use in microwaves.
- The appliance and its accessible parts may become hot during use. Care should be taken to avoid touching heating elements.
- Do not leave the microwave oven unattended while you are using it.
- Do not use the microwave when it is empty. This could damage the oven.
- Do not use metal pans, dishes with metal handles or anything with a metal trim inside the microwave. Do not use paper covered wire twist-ties on plastic bags.
- Never put objects into the openings on the outer case.
- Food containing a mixture of fat and water (for example, stock) should stand for 30 to 60 seconds in the oven after it has been turned off. This is to allow the mixture to settle and to prevent it from bubbling when a spoon is placed in it, or a stock cube is added.

# **SAFETY INSTRUCTIONS**

**READ CAREFULLY AND KEEP FOR FUTURE REFERENCE**

## **WARNING:**

- When heating or cooking food or liquid, remember that there are certain foods (such as, jam, Christmas pudding, and mincemeat) which heat up very quickly.
- Do not cook any food surrounded by a membrane, such as egg yolks, potatoes, chicken livers, sausages, ready meals and so on without piercing them several times with a fork.
- Do not try to deep-fry foods in this microwave oven.
- Do not overcook food.
- Please remember that as food or liquids heat up, they will release steam or may be spitting. Never cover any container fully, always leave a gap for steam to escape.
- Do not use plastic containers when heating or cooking foods that contain a lot of fat or sugar.
- Always have the glass turntable and turntable support in place when using the microwave oven.
- Do not cook food directly on the glass turntable. Put food on a suitable plate or in a bowl before putting it in the oven.

# **SAFETY INSTRUCTIONS**

**READ CAREFULLY AND KEEP FOR FUTURE REFERENCE**

## **WARNING:**

- When using the grill rack and baking tray, be aware that these will become HOT during cooking as they aren't heatproof. Please use suitable oven gloves when removing these.
- Do not use melamine dishes as they contain a material which will absorb microwave energy. This may cause the dishes to crack or burn, and will slow down the cooking speed.
- Do not use the microwave oven for heating utensils, plates or dishes.
- Do not cook using a container with a restricted opening, such as bottles, as they may explode.
- Before you clean your microwave oven, turn it off and unplug it.
- Keep the inside of the oven clean. When food or liquids stick to the oven walls, wipe with a damp cloth. We recommend that you do not use harsh detergent or abrasives.

# SAFETY INSTRUCTIONS

**READ CAREFULLY AND KEEP FOR FUTURE REFERENCE**

## **WARNING:**

- On the right hand wall of the cavity is the wave guide cover, microwaves are passed through this to enable your food to cook. **It is important that this wave guide cover is kept clean at all times.** To do this wipe with mild detergent and water, then dry.
- You should clean the outside of the oven with a damp cloth. Do not allow water to seep into the ventilation openings.
- Do not use harsh abrasive cleaners or sharp metal scrapers to clean the oven door glass since they can scratch the surface, which may result in shattering of the glass.
- If steam builds up inside or around the outside of the oven door, wipe with a soft cloth. This may happen when the microwave oven is used in humid conditions.
- Regularly remove the glass turntable to clean it, wash it in warm soapy water or a dishwasher. Regularly clean the turntable support and oven floor. Simply wipe the bottom surface of the oven with mild detergent and water, then dry. You can wash the turntable support in mild soapy water.

# **ABOUT YOUR MICROWAVE**

**Thank you for purchasing your Russell Hobbs microwave oven.**

The Russell Hobbs RHBM2503 microwave has a sleek and stylish contemporary design, boasting an attractive mirror finish door. As well as an appealing look, this appliance also boasts impressive functionality, with 900 watts of microwave power providing quick and convenient cooking in your home.

The RHBM2503 comfortably fits a standard size of dinner plate – up to 10.5” diameter. It comes with a removable and dishwasher safe glass turn-table for easy cleaning.

Pre-programmed auto cook menus, such as reheat, fish, and popcorn, allow you to cook all your favourite foods at the push of a button. What’s more, there’s automatic defrost settings meaning all you have to do is input the weight of the food, and the microwave selects the ideal defrost time, saving you time and effort. 5 microwave power levels enable tailoring of your cooking experience.

Additional features include a handy digital clock and timer function, and for added peace of mind, the RHBM2503 features a child safety lock option.

# ABOUT YOUR MICROWAVE

## How do microwaves work?

Microwaves are high-frequency electromagnetic waves similar to radio waves. While radio waves may vary in length from one metre to many kilometres, microwaves are very short (less than 12.5 centimetres.)

Microwaves do not make any heat themselves but cause water molecules in food to vibrate.

This vibration produces heat that cooks the food. This is why your food will come out of the microwave piping hot, when your utensils inside the oven stay much cooler. The microwaves do not stay in the air or in the food when you open the microwave oven door.

The microwave oven will work using an ordinary household electrical socket. Inside the microwave oven is the magnetron, which turns the electrical energy into microwaves.

Microwaves cannot travel through metal, so the inside of the oven is lined with metal. The door is lined with a fine metal mesh which stops microwaves getting through. This means that when the microwave oven door is shut, there is no possibility that microwaves can be released.

# PRODUCT INFORMATION

<b>Model number</b>	RHBM2503
<b>Rated Voltage</b>	230-240V ~ 50Hz
<b>Rated Output Power (Microwave)</b>	850-900W
<b>Rated Grill Power</b>	1000-1100W
<b>Rated Convection Power</b>	2300-2400W
<b>Oven Capacity</b>	25L
<b>Glass plate Diameter</b>	31.5cm
<b>External Dimensions (H x W x D)</b>	46.0 x 59.5 x 47 cm
<b>Net Weight; Approx</b>	21.5kg
<b>Number of Power Levels</b>	5
<b>Accessories Included</b>	Glass plate support, Glass plate, grill rack and Waveguide cover.

## **Energy Consumption**

Product information for power consumption and maximum time to reach applicable low power mode.

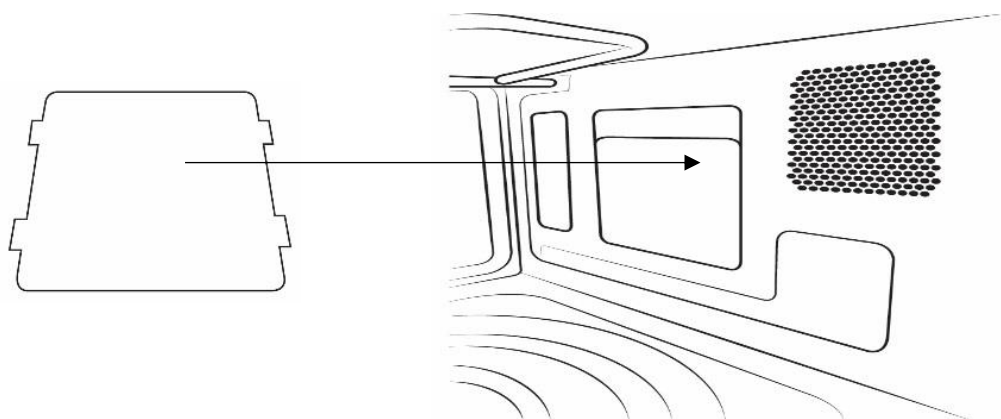
<b>Standby mode</b>	0.8 W
<b>The maximum time needed for the microwave oven to automatically reach the applicable low power mode or condition</b>	20 minutes

\*Internal volume is calculated by measuring maximum width, depth and height. Actual capacity for holding food is less.

# UNPACKING THE MICROWAVE

## Before you use your microwave oven

1. Remove all the packaging. **Do not** remove the small piece of card from the right hand side of the cavity wall. This is called a wave-guide cover and allows the microwaves to pass through to cook the food.



**Please ensure you keep this cover clean at all times by wiping with a damp cloth. Do not remove/place in a dishwasher.**

2. Check the oven after unpacking for any visual damage such as:

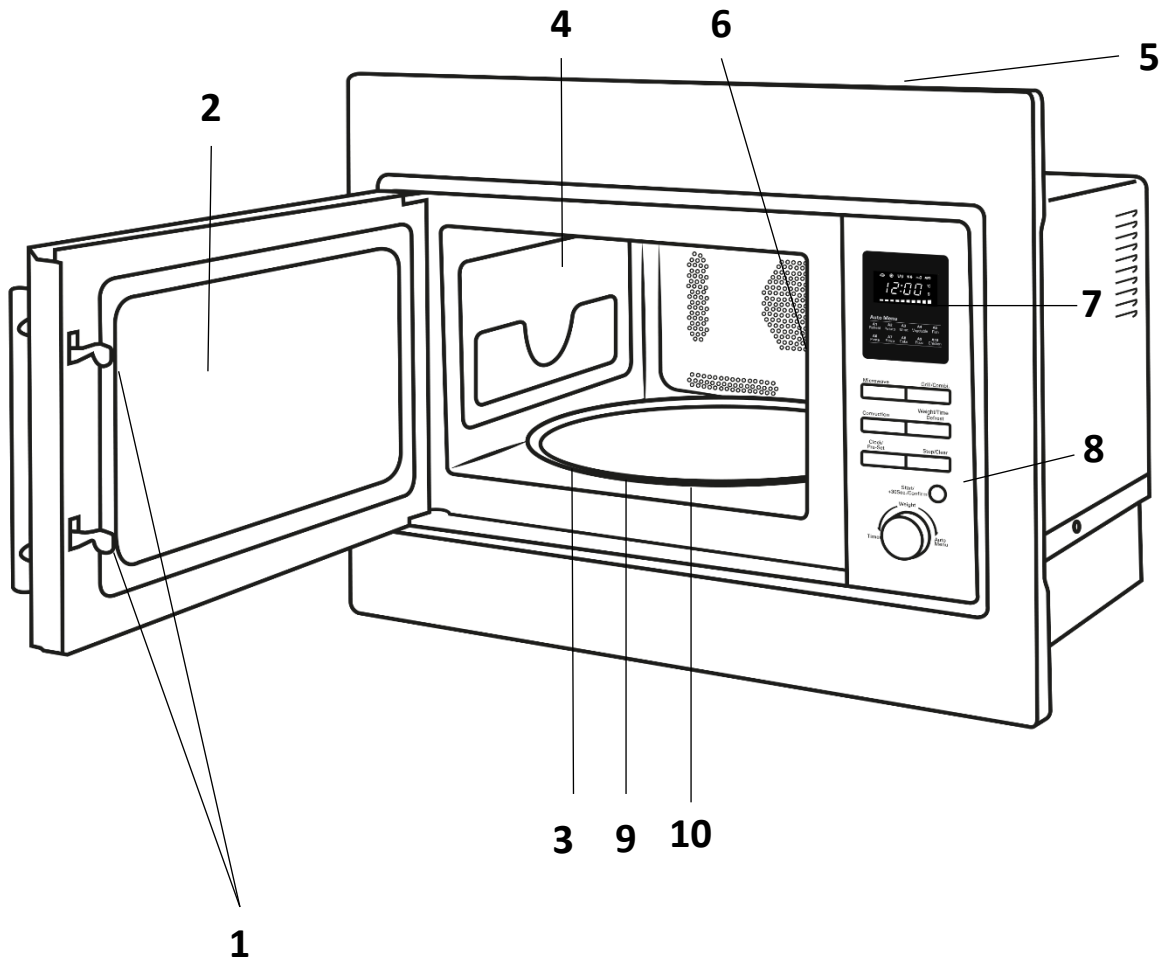
- A misaligned door
- Damage to the door
- Dents or holes in the door window and screen
- Dents in the inside

If you can see any damage **do not use the oven, please contact Customer Service at [mda.russellhobbs.com](http://mda.russellhobbs.com) or call 0345 209 7461.**

This microwave oven weighs approximately 21.5kg so you must put it on a horizontal surface that is strong enough to support this weight.

The oven must be placed away from high temperatures and steam. Do not put anything on the top of the microwave oven.

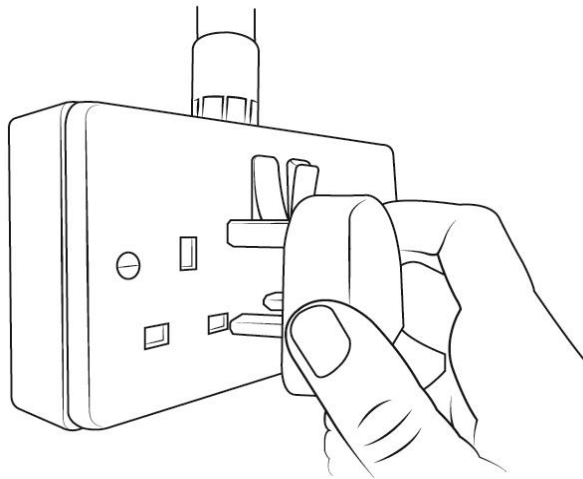
# PRODUCT OVERVIEW



- |                                     |                       |
|-------------------------------------|-----------------------|
| 1. Safety interlock latches         | 7. Screen display     |
| 2. Door assembly and window         | 8. Control panel      |
| 3. Glass turntable                  | 9. Turntable coupling |
| 4. Oven cavity                      | 10. Turntable ring    |
| 5. Microwave top                    |                       |
| 6. Wave guide cover (do not remove) |                       |

# MICROWAVE OVEN INSTALLATION

- Place the oven as far away from radios and televisions as possible. Using the oven may cause interference with the reception.
- Plug the oven into a suitable 13 amp mains socket, make sure the voltage is the same as on the rating label (do not use extension cables or mains socket adaptors.)



- The built-in cabinet should not have a rear wall behind the appliance. Minimum installation height is 85cm.
- Measure the opening for the microwave and remove all loose items, like the turntable, from the microwave
- Do not cover ventilation slots and air intake points.

# **MICROWAVE OVEN INSTALLATION**

**Important note:**

**This appliance must be correctly installed by a suitably qualified person, strictly in accordance with the manufacturer's instructions**

**Important note:**

**The manufacturer declines any responsibility for injury or damage, to a person or property, as a result of improper use of installation of this appliance.**

**Important note:**





**Heat, steam and moisture will be created during use of the appliance, take care to avoid injury and ensure that the room is adequately ventilated. If the appliance is going to be used for a prolonged period of time, then additional ventilation may be required.**

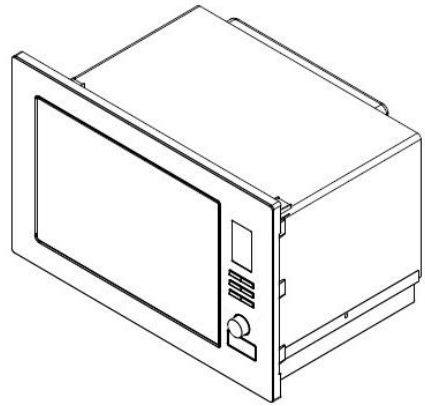
**Important note:**

**Please consult with a qualified installer if you are in any doubt about the ventilation that you will require.**

# MICROWAVE OVEN INSTALLATION

## Installation components

- SCREW A (multiple) 
- BRACKET 
- SCREW B 
- TRIM KIT PLASTIC COVER 



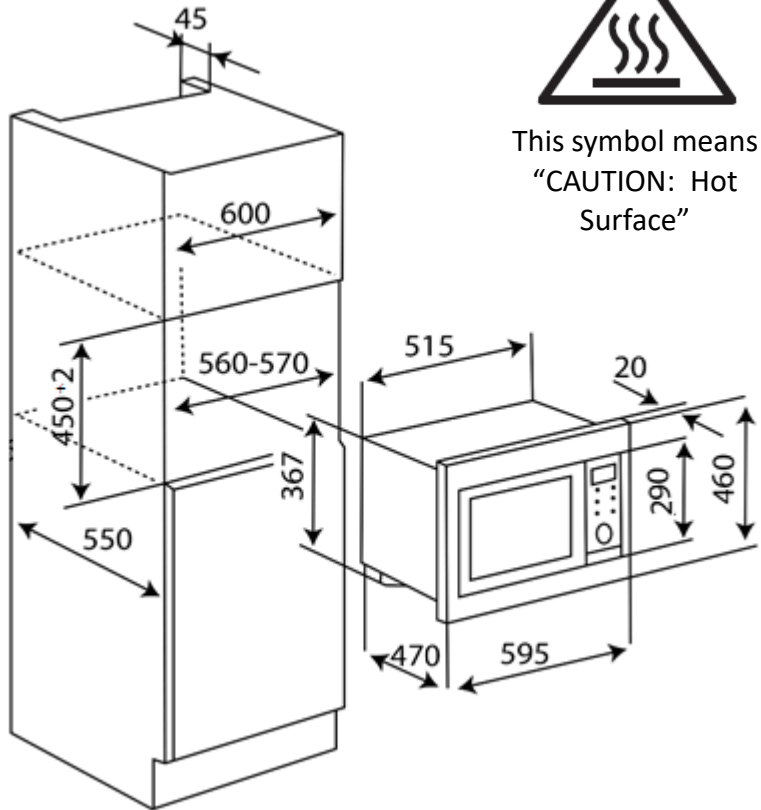
## Product dimensions (including frame kit)

Height: 460mm  
 Width: 595mm  
 Depth: 470mm

## Aperture dimensions

Height: 450mm  
 Width: 560 - 570mm  
 Depth: 550mm

Do not obstruct  
 the ventilation  
 from the microwave



This symbol means  
 "CAUTION: Hot  
 Surface"

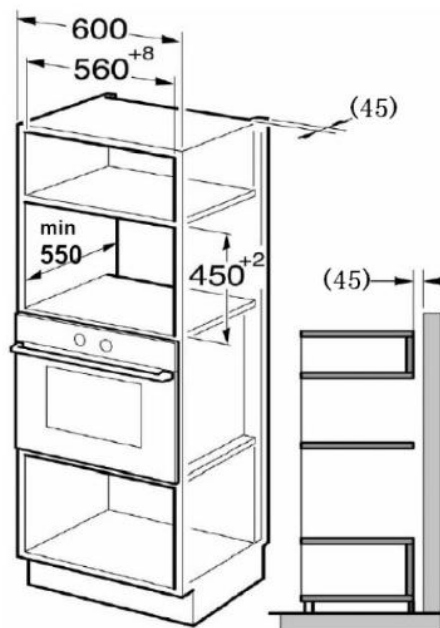
## Important note:

**This appliance must be correctly installed by a suitably qualified person, strictly in accordance with the manufacturer's instructions.**

# MICROWAVE OVEN INSTALLATION

## Aperture and ventilation requirements

- The diagram below shows the aperture and ventilation requirements that you require to build the appliance into a housing unit.
- Ensure that the rear panel of the furniture housing unit has been removed.
- This oven may be installed without any additional ventilation cut outs being made in the housing unit. However, the ventilation cut shown in the diagram **MUST** be present, otherwise the microwave oven may not function correctly.
- Do not cover the ventilation slots or air intake points.



**All measurements are in millimetres (mm)**

# MICROWAVE OVEN INSTALLATION

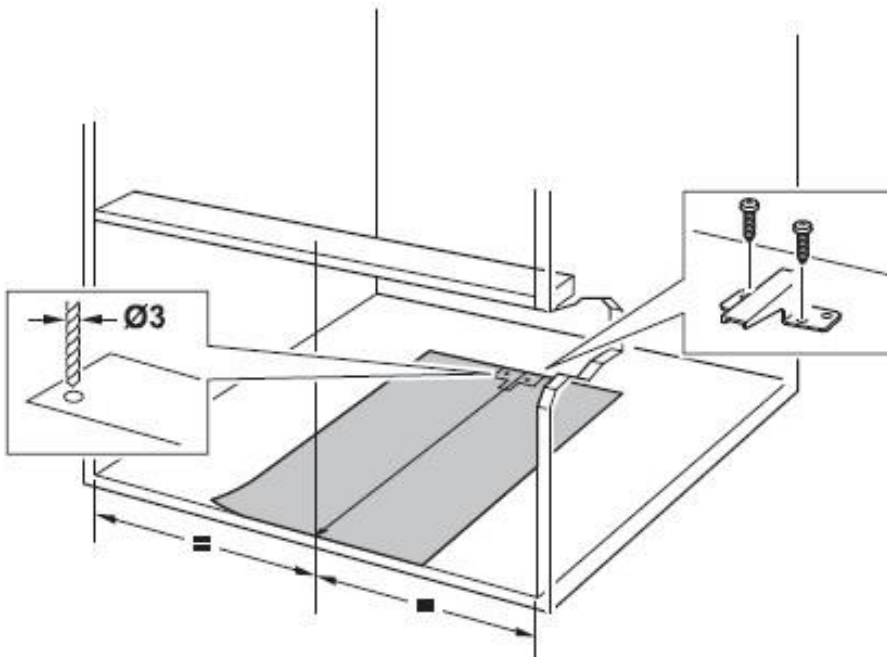
## Prepare the cabinet

### Step 1

Read the instruction on the BOTTOM CABINET TEMPLATE, put the template on the bottom surface of cabinet.

Make marks on the bottom surface of the cabinet according to marks “a” of the template.

Remove the BOTTOM CABINET TEMPLATE, and fix the BOTTOM BRACKET with SCREW A (multiple).



# MICROWAVE OVEN INSTALLATION

## Step 2

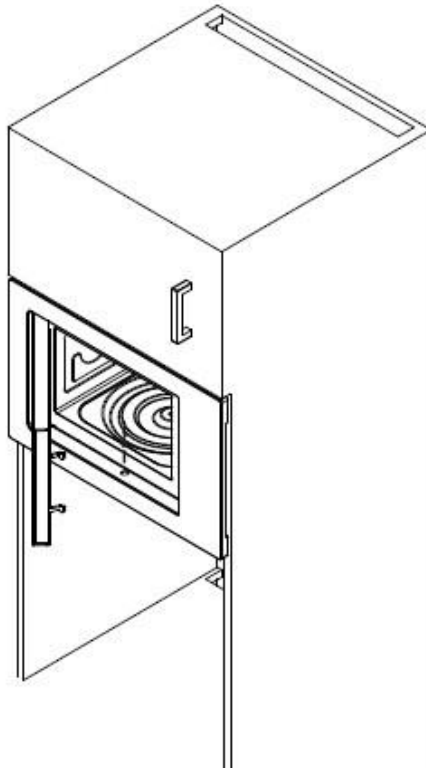
Place the microwave into the housing unit

**Important: Do not push the microwave fully into the housing unit, as you still need to be able to access ADJUSTMENT SCREW A at this stage.**

**Adjust the height of ADJUSTMENT SCREW A to keep a 1mm gap between ADJUSTMENT SCREW A and the underneath of the top surface of the housing unit.**

Push the microwave fully into the housing unit

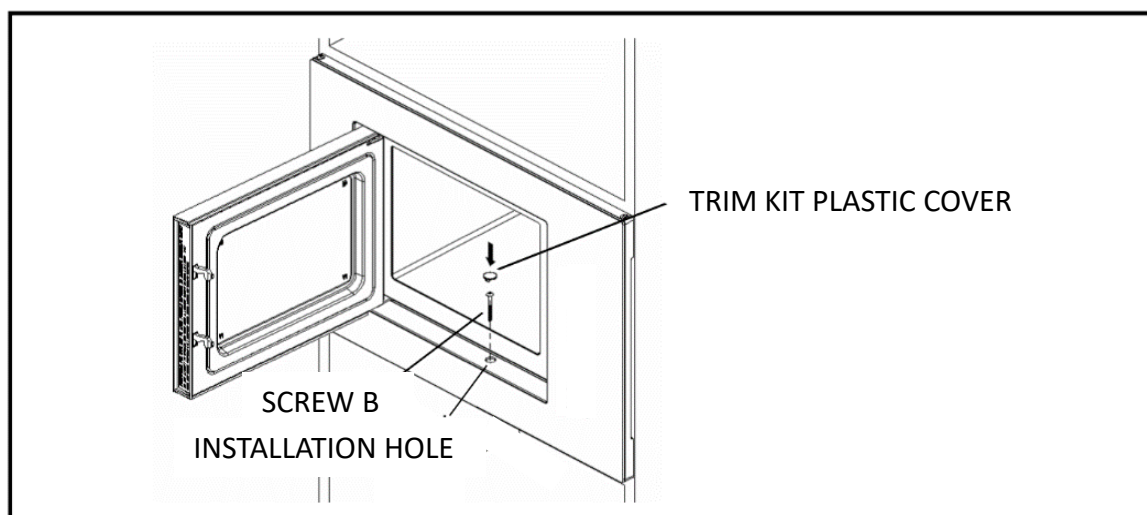
**Important: do not trap or kink the power cord and make sure that the oven is installed in the centre of the cabinet.**



# MICROWAVE OVEN INSTALLATION

## Step 3

Open the door and fit the oven to the housing unit with SCREW B at the INSTALLATION HOLE of TRIM KIT.



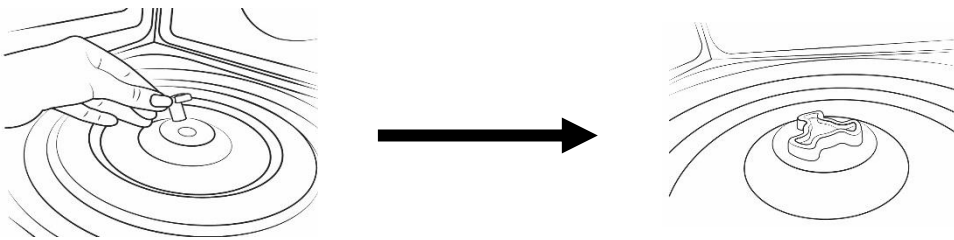
## Step 4

Fit the TRIM KIT PLASTIC COVER over the INSTALLATION HOLE.

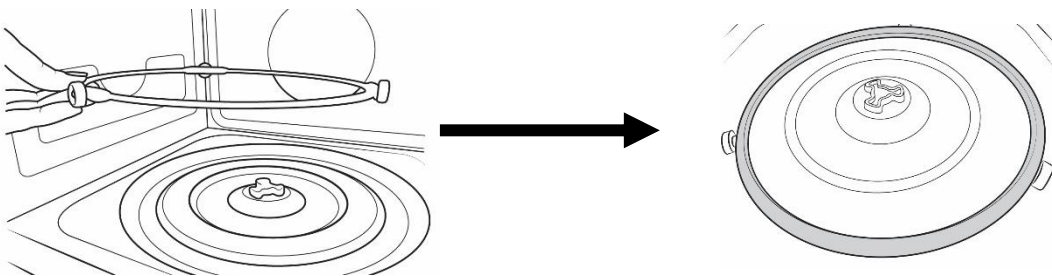
# TURNTABLE INSTALLATION

- Before first use, check that any securing tape and all packaging has been removed from the glass turntable and turntable ring assembly.
- **These parts must never be restricted from rotating.**
- Never place the glass turntable upside down.
- To assemble the turntable, follow the steps below in number order.

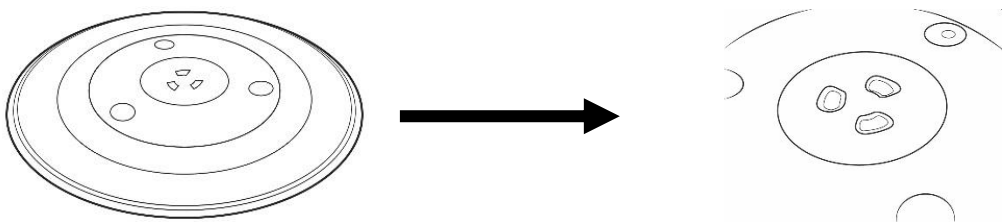
**STEP 1** The turntable coupling should slot into the centre of microwave



**STEP 2)** The turntable ring slots into the indents in the microwave base

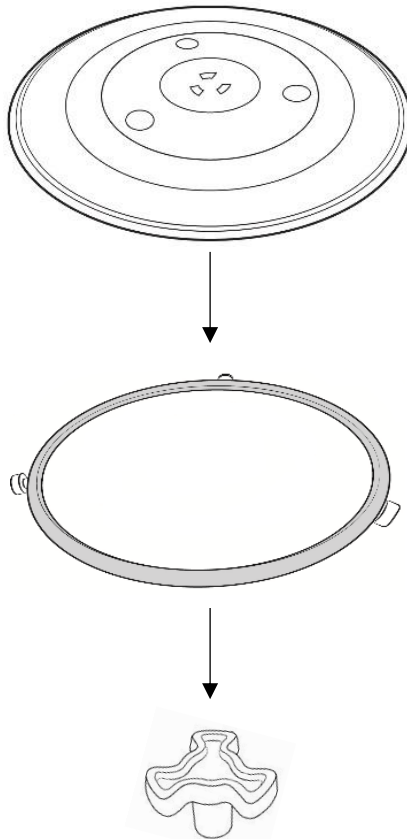


**STEP 3** The glass turntable should align with the turntable coupling



# TURNTABLE INSTALLATION

The glass turntable, turntable ring, and turntable coupling assembly must always be used during cooking (as shown below).

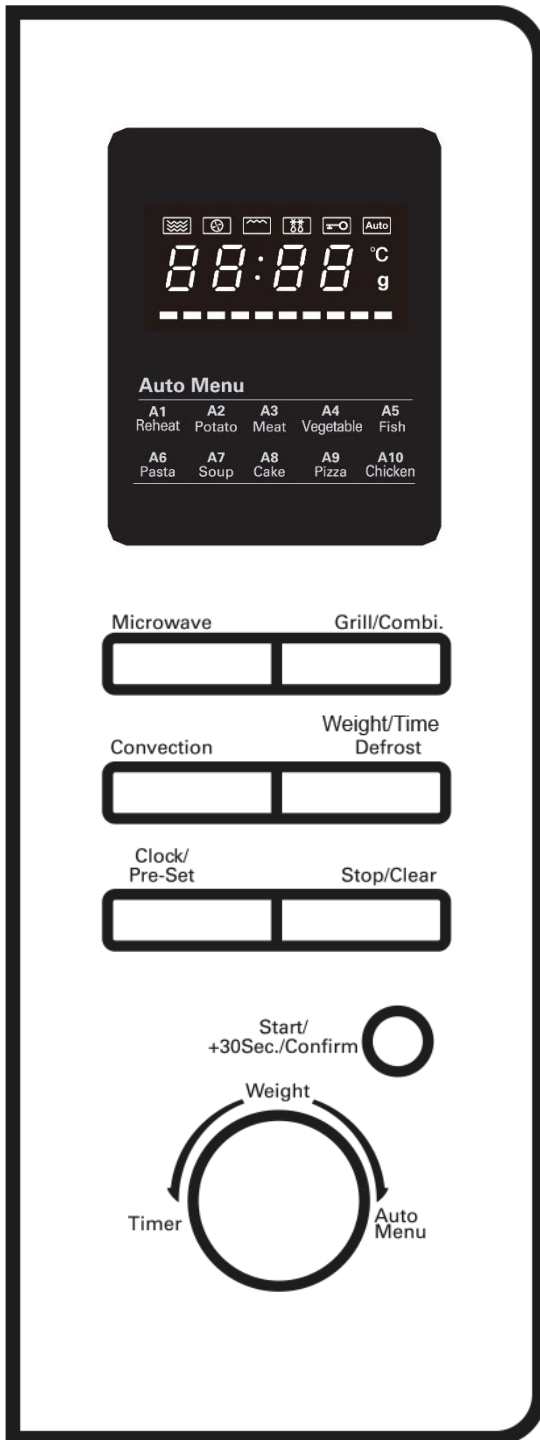


- Do not place the food directly onto the glass turntable, always place on or in suitable microwaveable cookware.

**Please check that crockery is microwave safe before using.**

- If the glass turntable or turntable ring assembly has been damaged in any way, contact Customer Service using on **0345 209 7461**.

# CONTROL PANEL



## SCREEN DISPLAY

Cooking time, power, action indicators, and clock time are displayed.

**MICROWAVE** Press this button to use the microwave function.

**GRILL/COMBI.** Press this button to use the grill and combination cooking. The grill element is located on the top of the cavity.

**CONVECTION** Press this button to use the convection function, an element at the back of the unit is used for convection cooking

**WEIGHT/TIME DEFROST** Press this button for the defrost function.

**CLOCK/PRE-SET** Press this button to set the clock.

**STOP/CLEAR** Press the Stop/Clear button twice to clear everything.

**START/+30 SEC./CONFIRM** Press this button to start the cooking process.

**TIMER/WEIGHT/AUTO MENU** This rotational dial is used for a number of functions. Turn the dial to access the auto menu

# HOW TO USE THE MICROWAVE

## Setting the clock (12 hour or 24 hour)

For example, if you want to set the time to 08:30 (am:)

1. Press the '**CLOCK/PRE-SET**' button once to choose hours or minutes for alteration. The hour figures will flash.
2. Turn the '**TIMER/WEIGHT/AUTO MENU**' dial to '**8:00**'. The input time should be within 0 – 23 (24 hour clock) or 1- 12 (12 hour clock)
3. Press the '**CLOCK/PRE-SET**' button again and the minute figures will flash.
4. Turn the '**TIMER/WEIGHT/AUTO MENU**' dial to '**8:30**'. The input time should be within 0 - 59 (60-minutes).
5. Press the '**CLOCK/PRE-SET**' button to finish the clock setting procedure. The ':' will then flash.

**Note:** If the clock is not set, the clock will not function when powered. During the process of clock setting, if you press '**STOP/CLEAR**' button, the oven will go back to the previous status.

## Microwave cooking

Once you have correctly installed the unit, turned on the power and set the clock, you are ready to start cooking.

Your microwave has 5 power levels, the lowest at 10%, then 30%, 50%, 80%, up to 100% (or full power.)

Most recipes are cooked on full power – this should be indicated on the packaging of microwavable food.

1. To select a power level, press the '**MICROWAVE**' button.
  - When pressed once the screen display will show '**P100**' (100% power)
  - When pressed twice the screen display will show '**P80**' (80% power)

# HOW TO USE THE MICROWAVE

- When pressed three times the screen display will show 'P50' (50% power)
- When pressed four times the screen display will show 'P30' (30% power)
- When pressed five times the screen display will show 'P10' (10% power)

## OR

Press the 'MICROWAVE' button and turn the 'TIMER/WEIGHT/AUTO MENU' dial to select the microwave power 'P100', 'P80', 'P50', 'P30', 'P10' will display in order.

2. Press the "START/+30SEC./CONFIRM" button.
3. Once you have selected your microwave power you can turn the 'TIMER/WEIGHT/AUTO MENU' dial clockwise to set the cooking time desired.
4. Press the 'START/+30SEC./CONFIRM' button to commence cooking.

The maximum cooking time is 95 minutes. Do not operate the oven empty, this can cause irreparable damage.

## Quick start function

For quick and easy microwave cooking, you can press the 'START/+30SEC./CONFIRM' button to automatically start 30 seconds of cooking time. This can be pressed multiple times for cooking up to 95 minutes on full power. During microwave, grill, combination and convection process, press START+30SEC/CONFIRM to add 30seconds of cooking time.

**Note:** This function does not work for defrost, auto menu or multi-stage cooking.

## or

Turn the "TIMER/WEIGHT/AUTO MENU" dial anti clockwise to adjust the desired cooking time, then press "START/+30SEC./CONFIRM". The oven will start cooking for the selected length of time at 100% power.

# HOW TO USE THE MICROWAVE

## **Defrost function**

Ensure food is thoroughly defrosted before starting the cooking process. The microwave generally penetrates 4cm into most foods.

For even defrosting results, ensure you turn the food over during the cycle.

Defrosting generally takes longer than the cooking time of food.

Defrosted food should be consumed as soon as possible, do not put it back in the fridge or freeze again.

There are 2 defrosting methods:

### **Defrosting by Weight**

1. Press the "**WEIGHT/TIME DEFROST**" button once, the oven will display "dEF1".
2. Turn the "**TIMER/WEIGHT/AUTO MENU**" dial to select the weight of the food in grams. The weight should be set between 100-2000g.
3. Press "**START/+30SEC./CONFIRM**" button to start defrosting.

### **Defrosting by Time**

1. Press the "**WEIGHT/TIME DEFROST**" button twice, the oven will display "dEF2".
2. Turn the "**TIMER/WEIGHT/AUTO MENU**" dial to select the defrosting time, the maximum time is 95 minutes.
3. Press the "**START/+30SEC./CONFIRM**" button to start defrosting. The defrosting power is 30%, and cannot be changed.

# HOW TO USE THE MICROWAVE

## Grill Cooking

1. Press the **“GRILL/COMBI”** button once and **“G-1”** is displayed on the screen. Press **“START/+30 SEC./CONFIRM”** button to confirm the selection.
2. Turn **“TIMER/WEIGHT/AUTO MENU”** dial clockwise to select the cooking time. (The time setting should be 0:05- 95:00.)
3. Press **“START/+30 SEC./CONFIRM”** button to start the cooking process.
4. If you have set the incorrect power level or time, press the **STOP/CLEAR** button twice and the display will return to showing the time of day.
5. Half way through the grill time, the unit will sound twice to tell you to turn the food over. In order to achieve more even grilling, you should turn the food over, close the door, and then press **“START/+30 SEC./CONFIRM”** to continue cooking. If the door is not opened and the food is not turned, the oven will continue to cook.
6. At the end of the cooking time, your microwave will beep five times and the display will return to showing the time of day.

Important note: The grill element should be preheated to ensure optimum operation and cooking. The recommended preheat time is 10-15 minutes.

Important note: The inside of the microwave and the food that you have been cooking may be extremely hot. So care should be taken when removing items from the microwave. We would recommend that you use an oven glove.

Important note: After the food has been removed from microwave, you should ensure that the door is closed.

# HOW TO USE THE MICROWAVE

## Combination Cooking (Microwave + Grill + Convection)

1. Press the **“GRILL/COMBI”** button twice, and **“C-1”** will display.
2. Turn the **“TIMER/WEIGHT/AUTO MENU”** dial to select the combination preferred cooking method. Stop turning when **“C-1”**, **“C-2”**, **“C-3”** and **“C-4”** appear on the display or press the **“GRILL/COMBI”** button three times for C-2, four times for C-3 and five times for C-4
3. Press the **“START/+30 SEC./CONFIRM”** button to confirm.
4. Turn the **“TIMER/WEIGHT/AUTO MENU”** dial to adjust the cooking time. (The time setting should be 0:05- 95:00).
5. Press **“START/+30 SEC./CONFIRM”** button to start the cooking process.
6. If you have set the incorrect power level or time, press the stop/clear button twice and the display will return to showing the time of day.

For the operation of each setting is detailed below:

Display	Microwave time	Grill time	Convection time
C-1	●		●
C-2	●	●	
C-3		●	●
C-4	●	●	●

Important note: The inside of the microwave and the food that you have been cooking may be extremely hot. So care should be taken when removing items from the microwave. We would recommend that you use an oven glove.

Important note: After the food has been removed from microwave, you should ensure that the door is closed

# HOW TO USE THE MICROWAVE

## **Convection Cooking (with preheating function)**

The convection cooking allows you to cook food using the unit as a traditional oven, the microwave function is not used. It is recommended that you preheat the oven to the appropriate temperature before placing the food in the oven.

1. Press the **“CONVECTION”** button once, and **“130°C”**, the cooking temperature will flash.
2. Turn the **“TIMER/WEIGHT/AUTO MENU”** dial to select the desired convection function temperature. Note: the temperature can be chosen from 130 degrees to 220 degrees, in 10 degree intervals.
3. Press the **“START/+30 SEC./CONFIRM”** button to confirm the chosen temperature.
4. Press the **“START/+30 SEC./CONFIRM”** button to start the preheating. When the preheating temperature is reached, the buzzer will sound twice to remind you to place the food in the oven. The preheated temperature will display and flash. Open the door and place the food in the microwave oven, then close the door.
5. Turn **“TIMER/WEIGHT/AUTO MENU”** dial to adjust the cooking time. (The maximum time available is 95 minutes.)
6. Press the **“START/+30 SEC./CONFIRM”** button to start cooking.
7. If you have set the incorrect power level or time, press the stop/clear button and the display will return to showing the time of day.

### **Note:**

- a. The cooking time cannot be put in until the preheating temperature is achieved, once the temperature is achieved the door must be opened to input the cooking time.
- b. If the time is not put in during 5 minutes of reaching the temperature, the oven will stop preheating. The buzzer will sound five times and turn back to the waiting state.

# HOW TO USE THE MICROWAVE

## **Convection Cooking (without pre-heating function)**

1. Press the **“CONVECTION”** button once, and **“130”**, the cooking temperature will flash.
2. Turn the **“TIMER/WEIGHT/AUTO MENU”** dial to select the desired convection function temperature. Note: the temperature can be chosen from 130 degrees to 220 degrees, in 10 degree intervals.
3. Press the **“START/+30 SEC./CONFIRM”** button to confirm the chosen temperature.
4. Turn the **“TIMER/WEIGHT/AUTO MENU”** dial to adjust the cooking time (the maximum setting time is 95 minutes).
5. Press the **“START/+30SEC./CONFIRM”** key to start cooking.
6. If you have set the incorrect power level or time, press the stop/clear button and the display will return to showing the time of day.

Important note: If you wish to change the temperature during the cooking process, the **“STOP/CLEAR”** button must be pressed twice to exit the current convection cooking process. Then the convection process can be started again and the new required temperature and time entered.

Important note: The inside of the microwave and the food that you have been cooking may be extremely hot. So care should be taken when removing items from the microwave. We would recommend that you use an oven glove.

Important note: After the food has been removed from microwave, you should ensure that the door is closed

# HOW TO USE THE MICROWAVE

## Multi-Stage Cooking

**A maximum of two different stages. To set a maximum of two different stages. For instance, to defrost an item and the follow it with the cooking cycle.**

Note: The buzzer will ring once after each stage and then the next stage will proceed.

Note: The Auto menu or the pre-heating functions cannot be set as one of the multi-stage cooking.

If one of the stages is for defrosting this should be programmed to come on first .

Example: if you want to defrost 500g of food or by 1 minute, then cook it at 80% microwave power for 7 minutes. The steps are as follows:

1. Press "**WEIGHT/TIME DEFROST**" button once or twice, the screen will display "dEF1" or "dEF2"
2. Turn the "**TIMER/WEIGHT/AUTO MENU**" dial to adjust the defrost weight to 500g or 1:00 minute;
3. Press the "**MICROWAVE**" button once;
4. Turn the "**TIMER/WEIGHT/AUTO MENU**" dial to choose 80% microwave power until it displays "P80".
5. Press "**START/+30SEC./CONFIRM**" to confirm;
6. Turn the "**TIMER/WEIGHT/AUTO MENU**" dial to adjust the cooking time to 7 minutes;
7. Press the "**START/+30SEC./CONFIRM**" button to start the cooking process.

# HOW TO USE THE MICROWAVE

## **Pre-set Cooking**

Set the clock first. (Consult the instructions for setting the clock)  
Input the cooking program. It's possible to input a maximum of 2 cooking stages. Do not use the defrost function in the pre-set function. The auto menu can be set for a single stage only.

Example: if you want to cook with 80% microwave power for 7 minutes, to start at a given time.

1. Press the **"MICROWAVE"** button once;
2. Turn the **"TIMER/WEIGHT/AUTO MENU"** dial to choose 80% microwave power till "P80" is displayed;
3. Press **"START/+30SEC./CONFIRM"** button to confirm;
4. Turn the **"TIMER/WEIGHT/AUTO MENU"** dial to adjust the cooking time to 7 minutes;
5. After the above steps, **DO NOT** press **"START/+30SEC./CONFIRM"** button, but do as follows :
6. Press the **"CLOCK/PRE-SET"** button, the current time displays and the hour figures flash.
7. Turn **"TIMER/WEIGHT/AUTO MENU"** dial to adjust the hours, the input time should be within 0 -23. Press **"CLOCK/PRE-SET"** button and the minute figures will flash. Turn the **"TIMER/WEIGHT/AUTO MENU"** dial to adjust the minutes, the input time should be within 0 - 59. This sets the start time.
8. Press **"START/+30SEC./CONFIRM"** to finish setting.

**The ":" will illuminate, the buzzer will ring twice when the time to start arrives, and then cooking will start automatically.**

**Note: The clock must be set first. Otherwise, the pre-set function will not work.**

# HOW TO USE THE MICROWAVE

## Auto Menu

The microwave can automatically calculate the cooking time based on the type of food and weight.

- 1) Turn the "**TIMER/WEIGHT/AUTO MENU**" dial in a clockwise direction and "A1" will display on the screen. Turn the "**TIMER/WEIGHT/AUTO MENU**" dial clockwise to choose the required function, and "A1", "A2", "A3"...."A10" will be displayed.
- 2) Press the "**START/+30 SEC./CONFIRM**" button to confirm the menu you need A1-A10.
- 3) Turn the "**TIMER/WEIGHT/AUTO MENU**" dial to choose the food weight, these are pre-set and listed in the table on the next page.
- 4) Press the "**START/+30SEC./CONFIRM**" button to start cooking. Please see the table below for the various settings.

Note: When you choose A8 cake, please do not put the cake mix in to the oven immediately. The oven needs to be preheated to 180 degree first. After several minutes, the buzzer sounds twice to remind you to put the cake into the oven. After putting the cake in the oven, please press start again. The timer will count down, and the cake will be cooked perfectly.

# HOW TO USE THE MICROWAVE

Menu	Weight(g)	Display	Power
A1 Reheat	150	150	100%
	250	250	
	350	350	
	450	450	
	600	600	
A2 Potato	1 (about 230g)	1	100%
	2 (about 460g)	2	
	3 (about 690g)	3	
A3 Meat	150	150	100%
	300	300	
	450	450	
	600	600	
A4 Vegetable	150	150	100%
	350	350	
	500	500	
A5 Fish	150	150	80%
	250	250	
	350	350	
	450	450	
	650	650	
A6 Pasta	50(with water 450g)	50	80%
	100(with water 800g)	100	
	150(with water 1200g)	150	
A7 Soup	200	200	100%
	400	400	
	600	600	
A8 Cake	475	475	Preheat at 180 degrees
A9 Pizza	200	200	C-4
	300	300	
	400	400	
A10 Chicken	500	500	C-4
	750	750	
	1000	1000	
	1200	1200	

# HOW TO USE THE MICROWAVE

## Checking Functions

- 1) During the cooking cycle, press the '**MICROWAVE**', '**GRILL/COMBI.**', or '**CONVECTION**' button and the current power will be displayed for 3 seconds.
- 2) In pre-set state, press the "**CLOCK/PRE-SET**" button to check the time when the cooking will start. The pre-set time will flash for 3 seconds, then the oven will turn back to the clock display.
- 3) During the cooking cycle, press the "**CLOCK/PRE-SET**" button to check the current time. It will be displayed for 3 seconds.

## Child lock

Lock on: In standby, when nothing is operating, Hold the "**STOP/CLEAR**" button for 3 seconds, there will be a long "beep" as the lock activates. A lock indicator will illuminate in the display.

Lock off: In locked state, hold the "**STOP/CLEAR**" button for 3 seconds, there will be a long "beep" and the door will unlock.

The current time will continue to display.

When the child lock is on, no functions can be activated.

## General information

- The buzzer will sound once when turning the knob at the beginning;
- The "**START/+30SEC./CONFIRM**" button must be pressed again to continue cooking if the door is opened during a cooking cycle.
- Once the cooking programme has been set, if the "**START/+30SEC./CONFIRM**" button is not pressed within 5 minutes the current time will display and the setting will be cancelled.
- The buttons will beep if they are pressed correctly, if not pressed correctly they will not beep.
- The buzzer will sound five times to remind you when cooking is finished.

# **HOW TO USE THE MICROWAVE**

## **Interrupting a cooking cycle**

1. If you wish to temporarily interrupt a cooking cycle when it is in progress (for example to stir what you are heating), you should press the door button.
2. The door of the microwave will open and it will stop heating immediately.
3. To restart the cooking cycle, close the microwave door and then press the start button.

## **Utensil information**

- Do not use metal pans or dishes with metal handles.
- Do not use anything with a metal trim.
- Do not use paper-covered wire twist-ties on plastic bags.
- Do not use melamine dishes as they contain a material which will absorb microwave energy. This may cause the dishes to crack or burn, and will slow down the cooking speed.
- Use only cookware that is approved to be used in a microwave oven.
- Do not cook using a container with a restricted opening, such as bottles, as they may explode.
- Do not heat baby bottles with the teat left on. Remove it if replacing the bottle back into the oven.
- Only use thermometers that are approved for microwave ovens.
- Do not use the microwave oven for heating utensils.

# COOKING TIPS

## **Defrosting tips**

Microwaves penetrate around 4cm into most food. To maximize defrosting effectiveness follow the below guidelines:

1. For thick foods, turn regularly during operation in order to defrost evenly.
2. If food weighs over 500g, it is advised to turn at least 2 times.
3. Defrosted food should be consumed as soon as possible, it is not advisable to put back into the fridge or freeze again.

**Cooking tips** - The following may affect cooking results:

### **Food arrangement**

If possible, thicker bits of food should be placed around the outside of the dish and the thinner parts toward the centre, spread out as evenly as possible. Do not overlap food if possible as this could result in uneven cooking results.

### **Cooking time**

If you are unsure of cooking times it is advisable to start with a short cooking time and monitor cooking progress before adding further time. Overcooking could lead to a risk of fire. Ensure food is cooked thoroughly before consuming.

### **Cooking food evenly**

Foods such as meat should be turned frequently to ensure more even cooking results. If the food is liquid based, stirring during the cooking time is advisable.

### **Allow standing time**

When the microwave has stopped cooking, leave the food to rest for an adequate length of time to allow for cooking completion and cooling.

# CLEANING THE MICROWAVE

- Before you clean the oven, **turn it off and unplug it.**
- Keep the inside of the oven clean. When food or liquids stick to the oven walls, wipe with a damp cloth. We recommend that you do not use harsh detergent or abrasives.
- On the right hand side wall of the cavity is the wave guide cover, microwaves are passed through this to enable your food to cook. It is important that this wave guide cover is kept clean at all times. To do this wipe with mild detergent and water, then dry.
- You should clean the outside of the oven with a damp cloth. **Do not allow water to seep into the ventilation openings.**
- **Do not allow the control panel to become wet.** Clean with a soft, damp cloth. Do not use detergents, abrasives or spray-on cleaners on the control panel.
- If steam builds up inside or around the outside of the oven door, wipe with a soft cloth. This may happen when the microwave oven is used in humid conditions.
- Regularly remove the glass turntable to clean it, and wash it in warm soapy water. Regularly clean the turntable support and oven floor. Simply wipe the bottom surface of the oven with mild detergent and water, then dry. You can wash the turntable support in mild soapy water.
- When removing the turntable support of the oven, make sure you put it back properly.
- If the inside of the oven smells, put a cup of water with the juice and skin of one lemon in a deep microwave bowl. Microwave it for three minutes, wipe thoroughly and then dry with a soft cloth.
- Failure to maintain the oven in a clean condition, especially if liquid is left under the turntable, could lead to deterioration of the surface that will adversely affect the life of the appliance that may result in a hazardous condition.

# PROBLEM SOLVING



**WARNING: To reduce the risk of personal injury, always unplug the microwave before performing maintenance or trouble shooting checks.**

The microwave oven may cause interference to your radio, TV or similar equipment. If this happens, you can stop the interference by moving the radio, TV or equipment as far away from your microwave oven as possible.

Problem	Potential reason	Potential solution
If the microwave doesn't work	1. Microwave is not plugged in	Make sure the plug is plugged in securely into the mains and the plug is switched on. If it is not, remove the plug from the socket, wait 10 seconds and plug it in again securely.
	2. Plug is not working	The plug socket that the microwave is plugged into may have become faulty. Plug the microwave into another known good plug socket, ensure that the socket is turned on and check if the microwave now works.
	3. The plug has a blown fuse or the mains circuit has a blown fuse/tripped fuse	Check the plug for a blown circuit fuse or a tripped main circuit breaker. If these seem to be working properly, test the socket with another appliance.
	4. Microwave has developed a fault	Contact customer services to talk through the problem to see if any solution for the fault can be found. If not and the product is within its warranty period, then the microwave should be returned to the retailer it was purchased from for a replacement or refund.
If the microwave power will not work	1. Door is not closed	Make sure the door is securely closed. Otherwise, the microwave will not engage or operate.
	2. The power has not been set/the timer dial has not been turned	Set the microwave power by pressing the 'MICROWAVE' button. Select the time by turning the dial and pressing 'Start' to confirm.
Not heating	Magnetron not working	The component that produces the microwaves is called a magnetron, if food is not being heated or is 'luke' warm then it is likely this component has developed a fault.  If the microwave is within its warranty period, please contact customer services for further advice or take the microwave back to the retailer it was purchased from for a refund or replacement.

# PROBLEM SOLVING

Problem	Potential reason	Potential solution
Sparking	Burnt on food debris	<p>Spillages or splashes can burn and catch fire, all food that is put into the microwave should be appropriately covered. All spillages or splashes must be cleaned, and all areas of microwave cleaned after each use.</p> <p>Burnt on food debris in the microwave, on the wave guide and the behind the wave guide can cause the microwave to 'spark'. This is because burnt on debris can be focused on by the microwaves and spark.</p> <p>Microwaves must be thoroughly cleaned after every use to ensure no food is burnt on to any part of the microwave.</p>
	Metal or foil	<p>No metal or foil should be put inside a microwave as it can cause 'sparking' which can damage the microwave.</p> <p>The only metal accessories that should be used inside the microwave are the ones supplied by the manufacturer.</p>
	Pressure build up in food	<p>Food with none porous skins (potatoes for example), must be pierced to allow steam to escape. As the build up of pressure can cause food to burst and create a 'fire hazard'.</p>
Heat spots	Operated empty or with no moisture	<p>Microwaves cannot be run empty, microwaves need moisture to operate correctly.</p> <p>If microwaves are operated empty or are used to heat up plates (this is not permitted), the microwaves can focus on a single point inside the microwave. This can cause a heat spot, which can cause the area to become deformed, warped or start to melt.</p> <p>If microwaves are operated empty or to heat up foreign objects this will void the warranty.</p>

# PROBLEM SOLVING

Problem	Potential reason	Potential solution
Condensation or excess water	1. Food that is being cooked	By the very nature of how a microwave works, it 'excites' the water molecules in the food it is heating, causing them to move about and generate heat from within the food. Often when the food heats up it reaches the point where steam is released. Dependent on the food type being heated (and its water content level), the length of time being heated for – and so the amount of steam generated – it is inevitable that some of the steam will condense and form back into water droplets within the microwave cavity. This can usually be found on the inner walls or most commonly on the back of the glass door. If not cleaned up, these droplets can start to form small 'pools' of water.
	2. Cooling vents covered	Cooling vents allow the heat and steam to escape from the microwave. These cannot be covered as it can cause excessive water to settle inside the microwave or the microwave to overheat. The installation instructions in the instruction manual must be followed or the warranty will be void.
Paint damage/peeling	Maintenance	If the microwave is within its warranty period, please contact customer services for further advice or take the microwave back to the retailer it was purchased from for a refund or replacement.
Light not working	Bulb not working	Due to the construction of microwaves and certain 'dangerous' components inside, the light bulb can only be changed by a qualified service engineer. If the microwave is within its warranty period, please contact customer services for further advice or take the microwave back to the retailer it was purchased from for a refund or replacement
Over heating	Cooling vents covered	Cooling vents allow the heat and steam to escape from the microwave. These cannot be covered as it can cause excessive water to settle inside the microwave or the microwave to overheat. The installation instructions in the manual must be followed or the warranty will be void.
Too noisy	1. Glass turntable fitted incorrectly	Check that the glass turntable has been placed correctly on the turntable and is not hitting the walls/doors of the microwave during operation.
	2. Dishes/plate are too large for the microwave	Check that the dishes/plates are the correct size for the microwave and that they are not hitting the walls/door of microwave during operation.

# PROBLEM SOLVING

Problem	Potential reason	Potential solution
Door not shutting/ locking	1. Glass turntable fitted incorrectly	Check that the glass turntable has been placed correctly on the turntable and is not stopping the door from shutting correctly.
	2. Latches have become deformed	If the microwave is within its warranty period, please contact customer services for further advice or take the microwave back to the retailer it was purchased from for a refund or replacement.
Turntable not rotating	1. Turntable coupling not fitted or tape not removed	Check that the turntable coupling is fitted correctly and the transportation tape has been removed.
	2. Turntable roller ring not fitted or fitted incorrectly	Check that the coupling has been placed under the turntable and that it is positioned correctly.
	3. Glass turntable fitted incorrectly	Check that the glass turntable has been placed correctly on the turntable.
	4. Turntable has developed a fault	If the microwave is within its warranty period, please contact customer services for further advice or take the microwave back to the retailer it was purchased from for a refund or replacement.

# GUARANTEE AND CUSTOMER SERVICES

This product is guaranteed for **12 months** from the date of the original purchase. If any defect arises due to faulty materials or workmanship, the faulty product must be returned to the place of purchase. Refund or replacement is at the discretion of the retailer.

## **The following conditions apply:**

- The product must be returned to the retailer with the original proof of purchase.
- The product must be installed and used in accordance with the instructions contained in this instruction guide and any other instructions for use which are supplied.
- It must be used for domestic purposes only and for its intended use.
- This warranty does not cover wear and tear, damage, misuse or consumable parts.

**This does not affect your statutory rights.**

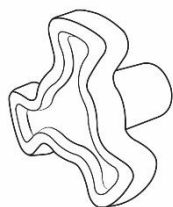
## Customer Services & Spare Parts:

Region	Contact	Website
UK & Northern Ireland	0345 209 7461	mda.russellhobbs.com
Ireland	1 800 938982	ie.mda.russellhobbs.com
Rest of Europe	europe@productcaregroup.com	de.mda.russellhobbs.com fr.mda.russellhobbs.com es.mda.russellhobbs.com it.mda.russellhobbs.com nl.mda.russellhobbs.com

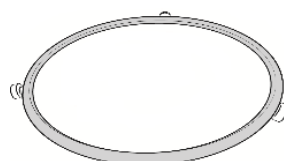
# SPARE PARTS

To check the availability of the following spare parts, simply contact our friendly Customer Services team using the details provided at the bottom of this page.

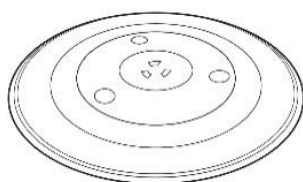
**Turntable Coupling**



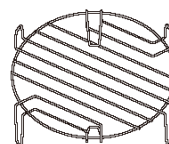
**Turntable Ring**



**Glass turntable**



**Grill rack**



**Baking tray**



# CONNECTION TO THE MAINS SUPPLY

## **WARNING- THIS APPLIANCE MUST BE EARTHED**

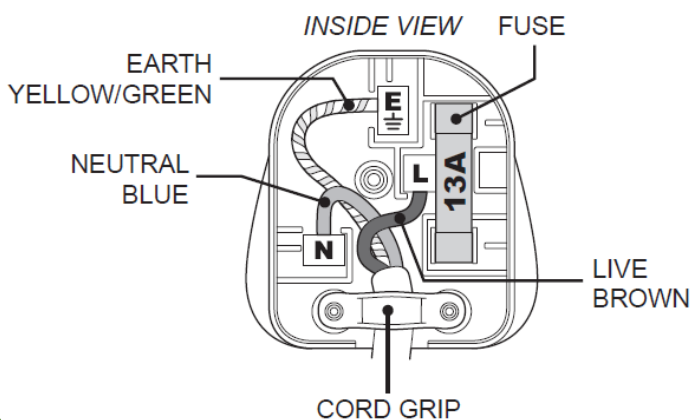
This appliance is designed to operate from a mains supply of  
230-240V~ 50Hz.

Check that the voltage marked on the product corresponds with  
your supply voltage.

This product is fitted with a moulded 13A plug complying with  
BS1363. If this plug is unsuitable or needs to be replaced, refer to  
customer services as it should only be replaced by a qualified  
engineer.

To replace the 13amp fuse, remove the plug from the socket,  
remove the fuse cover near the pins of the plug, remove the fuse  
and replace with 13amp fuse. Refit the fuse cover and plug the unit  
back into the power supply.

Important: The wires in the mains lead are coloured in  
accordance with the following code:



**GREEN/YELLOW** – EARTH

**BLUE** – NEUTRAL

**BROWN** – LIVE

# CONNECTION TO THE MAINS SUPPLY

## For UK use only – PLUG

- As the colours of the wires in the mains lead of this appliance may not correspond with the coloured markings identifying the terminals in your plug, proceed as follows:
- The **GREEN/YELLOW** wire is the EARTH and must be connected to the terminal which is marked with the letter E or by the earth symbol or coloured **GREEN** or **GREEN/YELLOW**.
- The **BLUE** wire is the NEUTRAL and must be connected to
- the terminal marked with the letter N or coloured **BLACK**.
- The **BROWN** wire is the LIVE wire and must be connected to
- the terminal marked with the letter L or coloured **RED**.
- **Always ensure that the plug cord grip is fastened correctly.**
- If a 13A (BS1363) fused plug is used it must be fitted with a 13amp fuse conforming to BS1362 and be BSI or ASTA approved.

If the fuse cover is lost the plug must not be used until a replacement is obtained from an electrical supplier.

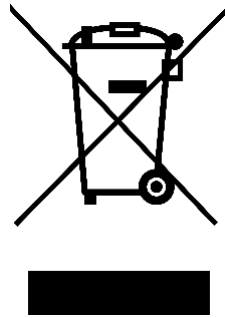
If you need to remove the plug, cut it from the mains lead and dispose of it. NEVER attempt to re-use this plug or insert it into a socket outlet, as there is a very great risk of electrical shock.



# Russell Hobbs

Made by Product Care Trading Limited under license from Spectrum Brands (UK) Limited. Product Care Trading Ltd, Unit 1, Green Bank Business Park, Swan Lane, Hindley Green, Wigan, WN2 4AY, United Kingdom / Product Care (Ireland) Ltd, Unit 3D North Point House, North Point Business Park, New Mallow Road, Cork, T23 AT2P, Ireland. Russell Hobbs is the registered trademark of Spectrum Brands (UK) Ltd.

UK  
CA



The 'wheelee bin' symbol is known as the 'Crossed-out wheelee bin Symbol'. When this symbol is marked on a product/batteries, it means that the product/batteries should not be disposed of with your general household waste. Only discard electrical/electronic/battery items in separate collection schemes, which cater for the recovery and recycling of materials contained within. Your co-operation is vital to ensure the success of these schemes and for the protection of the environment. For your nearest disposal facility, visit [www.recycle-more.co.uk](http://www.recycle-more.co.uk) or ask in store for details.

SEDEX – Connecting businesses and their global suppliers to share ethical data and enabling improvement in ethical performance. Visit [www.sedex.org.uk](http://www.sedex.org.uk) for further information.

We reserve the right, due to possible changes to design, to alter the instruction manual without prior notice.

Revision 12.2