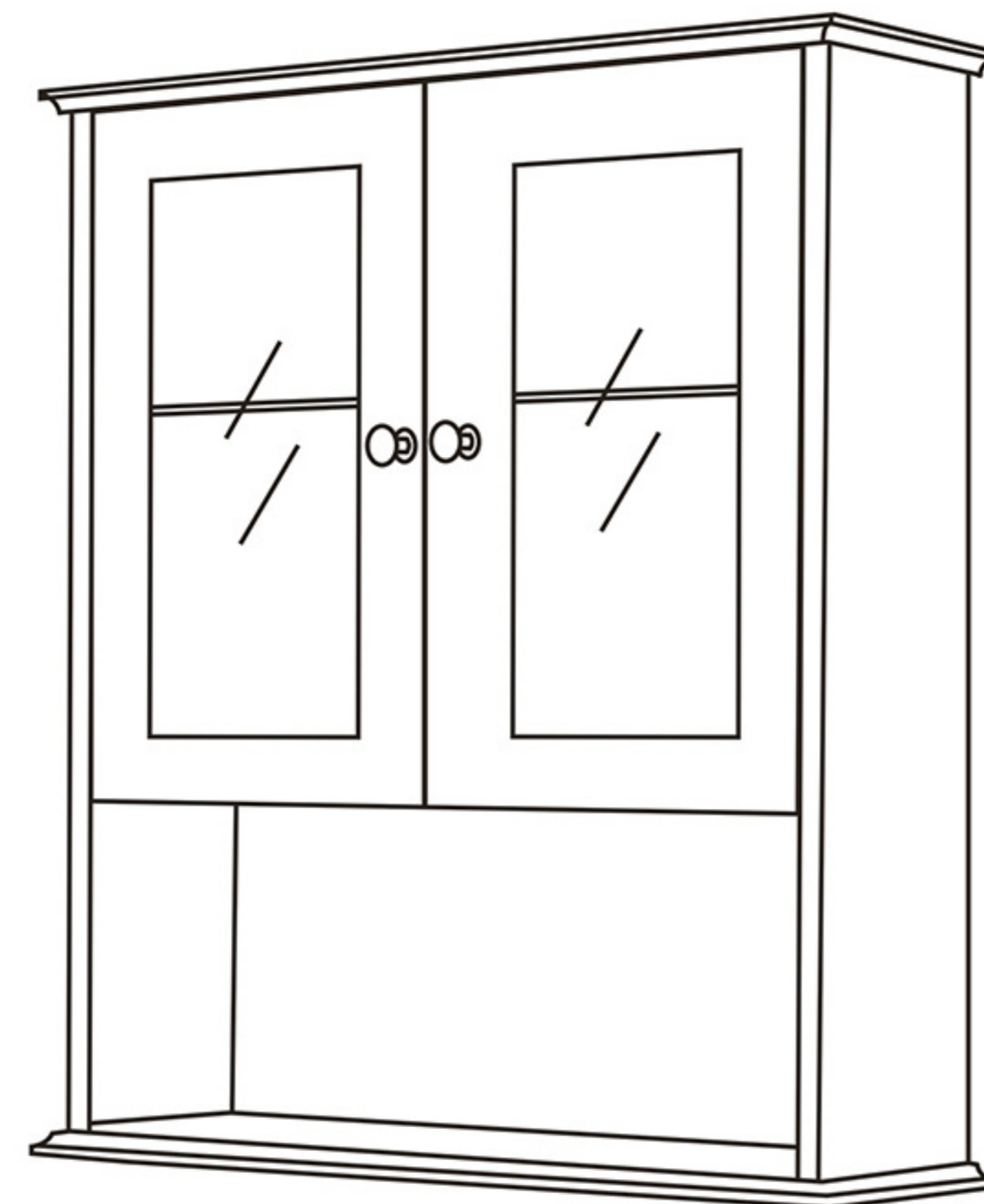
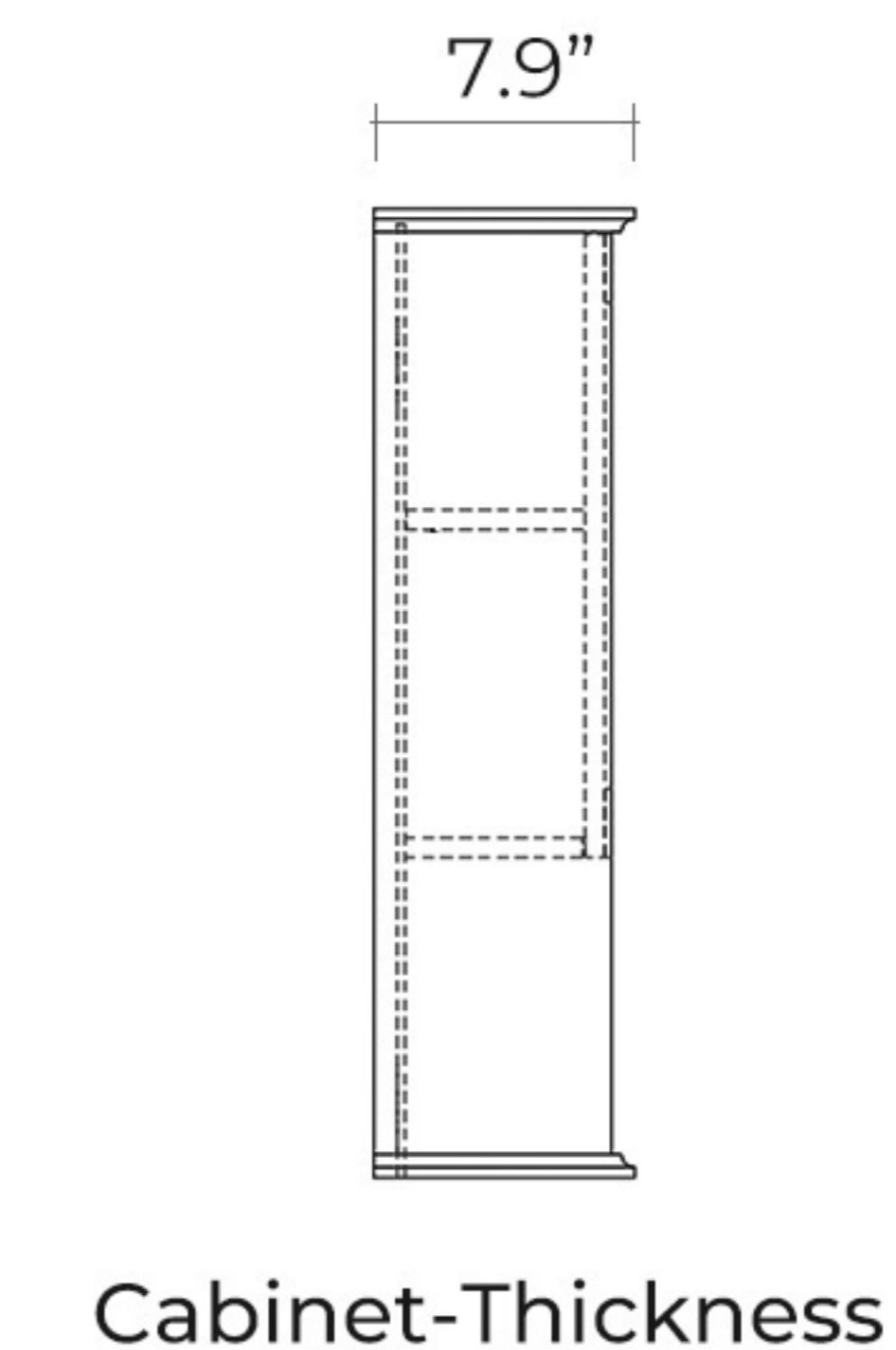
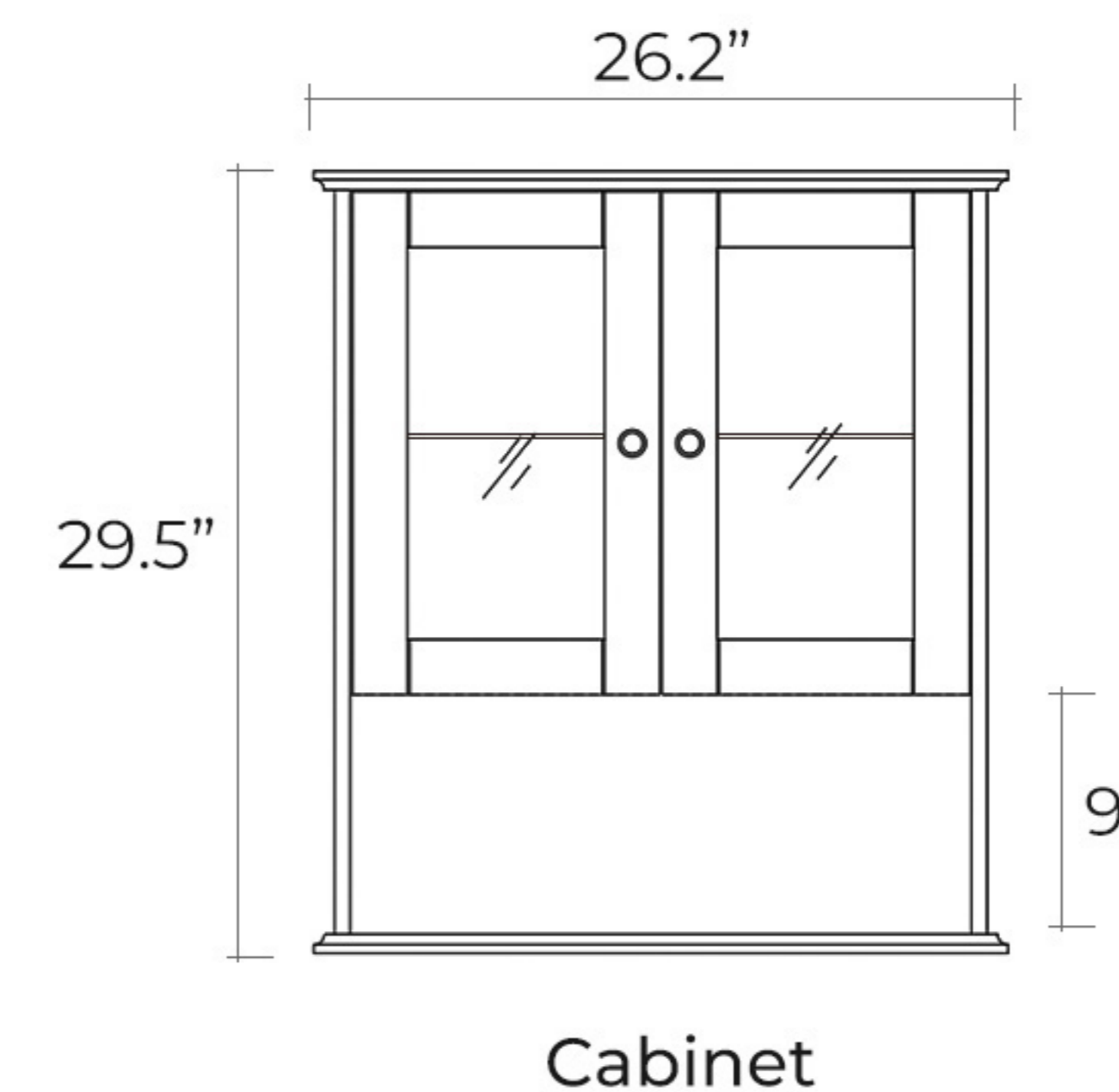


Installation manual

HANGING CABINET M2



Dimensions



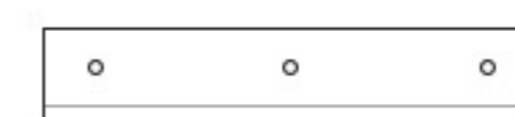
Packing Lists



A Cabinet x1



C Mounting screw x6



B Pegboard x2



D Wall anchor x6

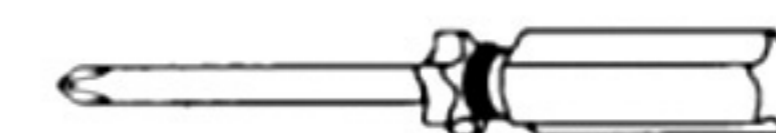
Care and Maintenance

- Cleaning with a dry cloth may be sufficient.
- For other stains or marks, wipe gently with a damp cloth.
- Do not use strong detergents or abrasive cleaners; they may damage the surface of the cabinet.
- As the product is sealed during transportation, please open the cabinet for several days after receiving the goods to ventilate the smell.

If you have any questions or concerns, please contact us directly at email contactus56service@gmail.com

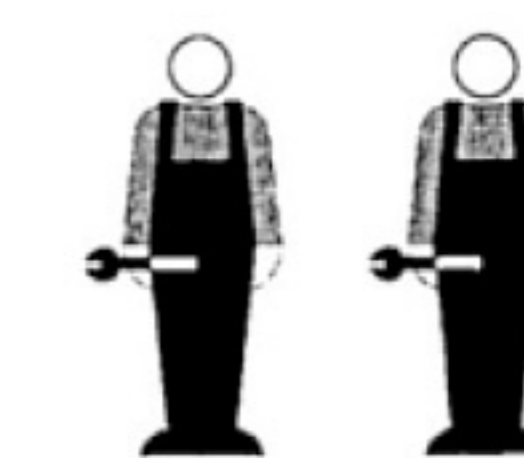
Tools needed and suggestion

Tool needed:



Philips screwdriver required-Not included

Suggestion:

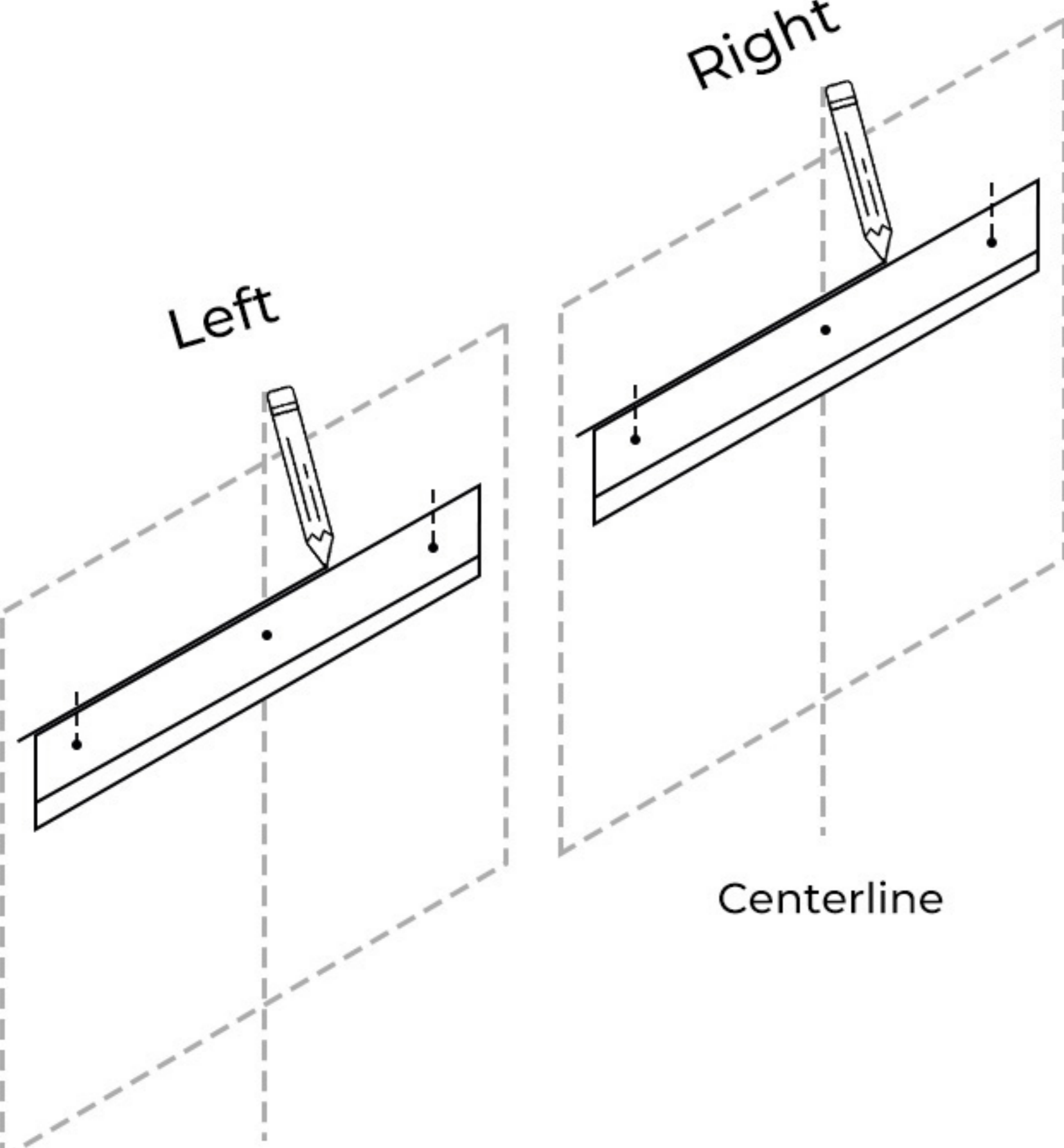
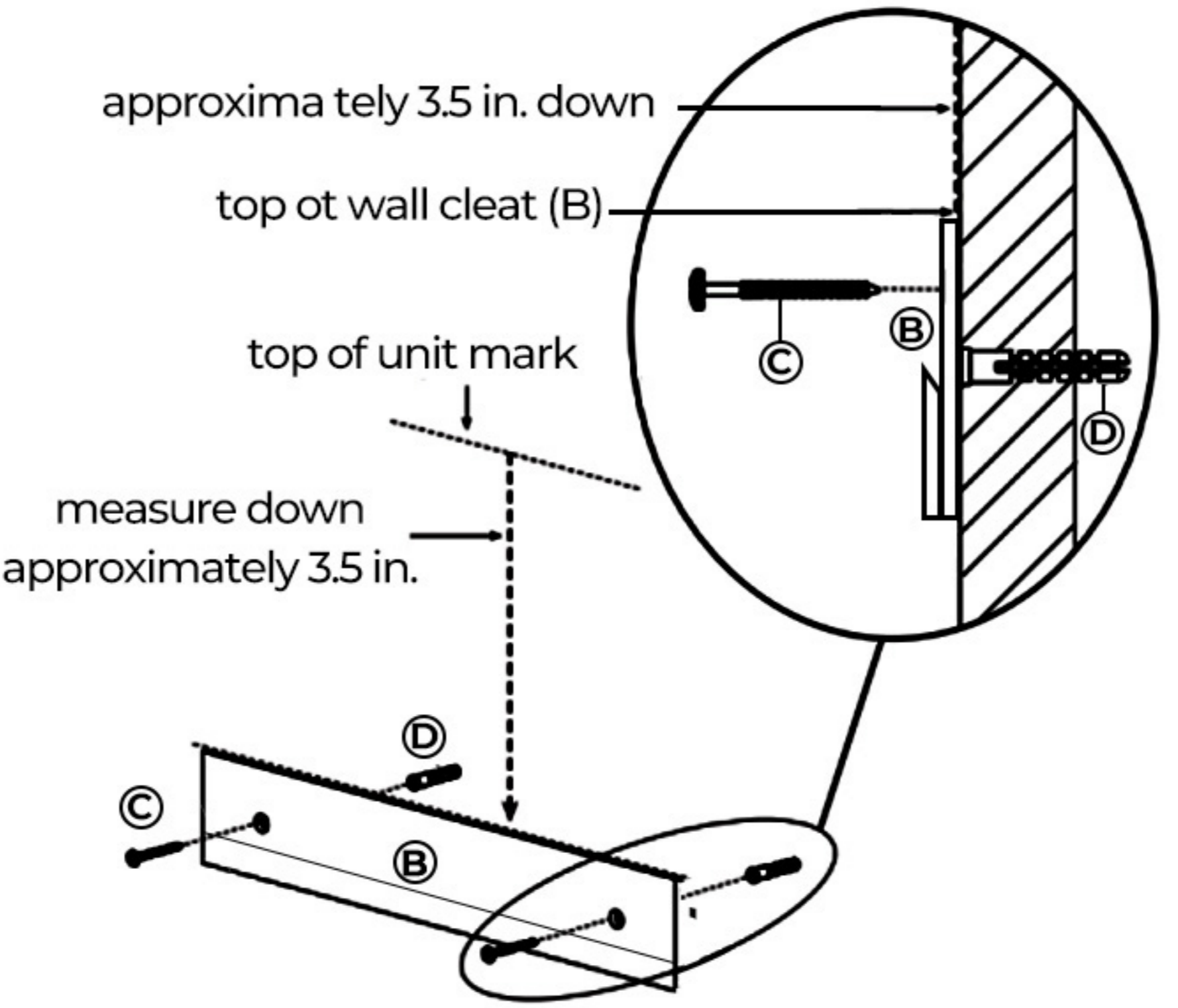


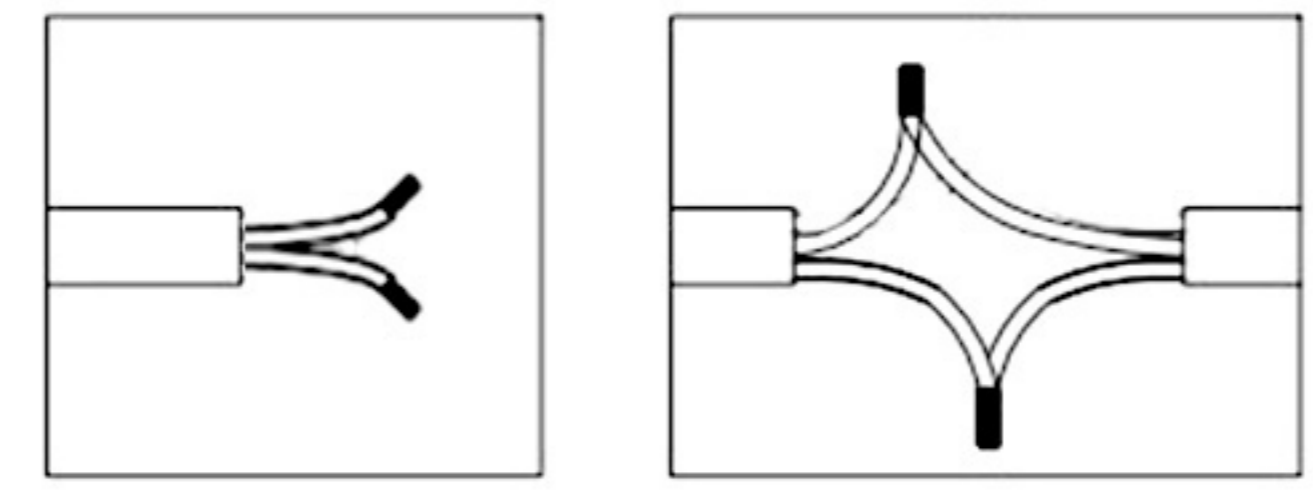
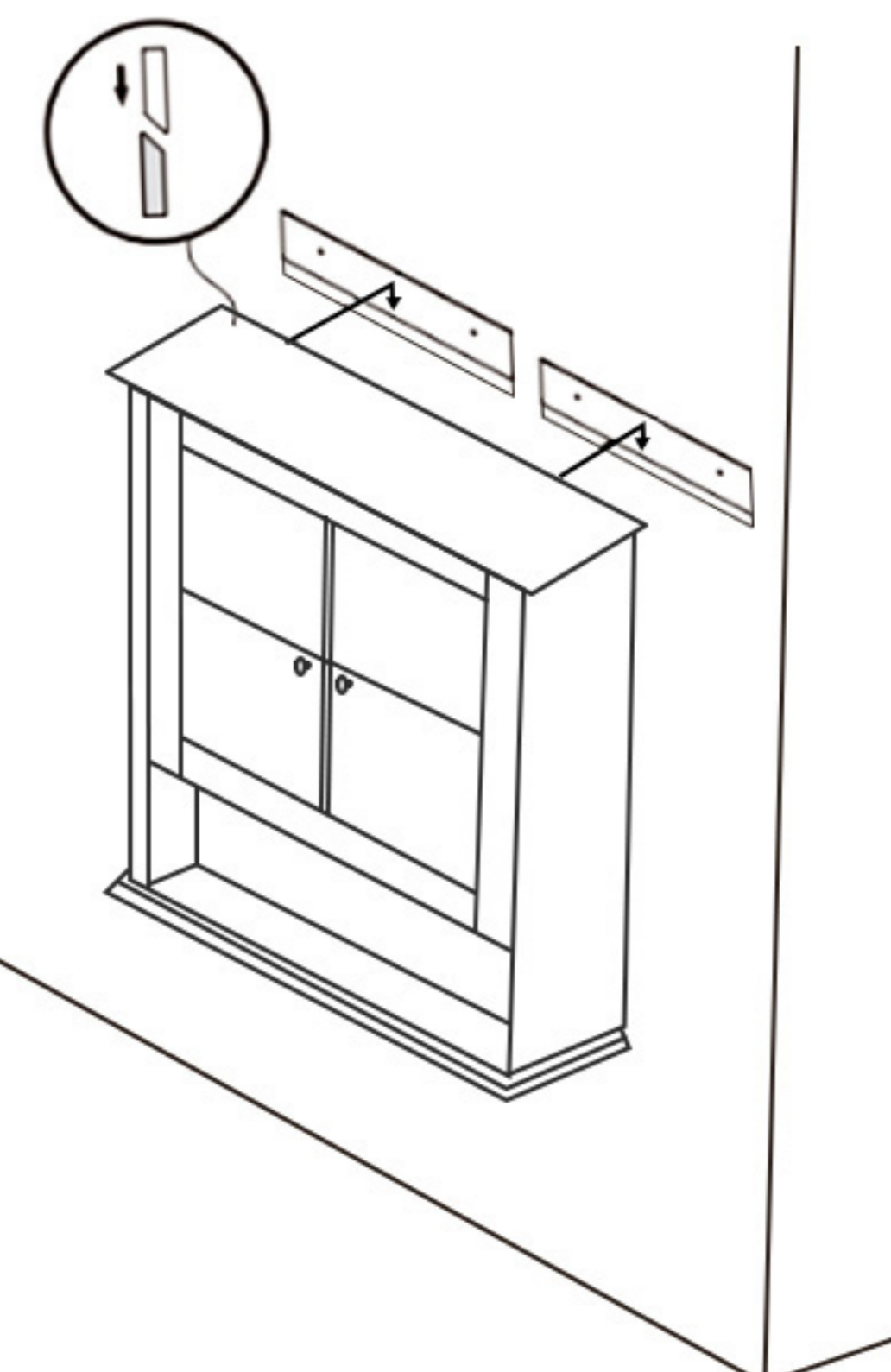
Two people are responsible for assembling

Installation Instructions

a. Determining the mounting location.

⚠ Note: Before installing, make sure all parts are present. Compare parts with Hardware Include list. If any part is missing or damaged, do not attempt to install the product, contact us to obtain any missing parts.

<p>1</p> <p>Determine the desired mounting location, and mark the wall where the unit will be installed.</p> 	<p>2</p> <p>Drill three 11/32" holes in the wall and tap wall anchors into the drilled holes. Secure support plate to wall anchors using long screws and phillips head screwdriver.</p> 
---	---

<p>3</p> <p>Prior to commencing installation, please ensure the following:</p> <ul style="list-style-type: none">- the main electrical supply has been powered off to complete installation.- Safely connect these two wires one by one to the wires of wall switch in your home. 	<p>4</p> <p>Hang back panel on support plate.</p> 
---	--