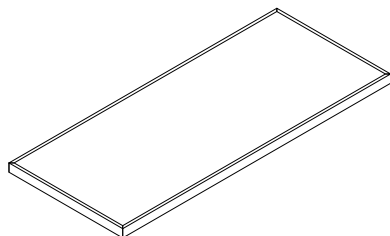
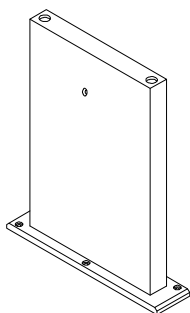


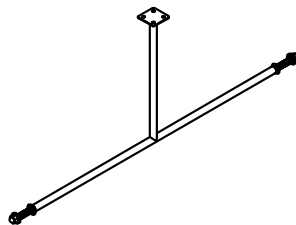
# Product Assembly Instructions



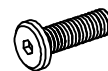
A: Top x1



B: Leg x2



C: Metal bar x1



D: Bolt M6\*30mm x16

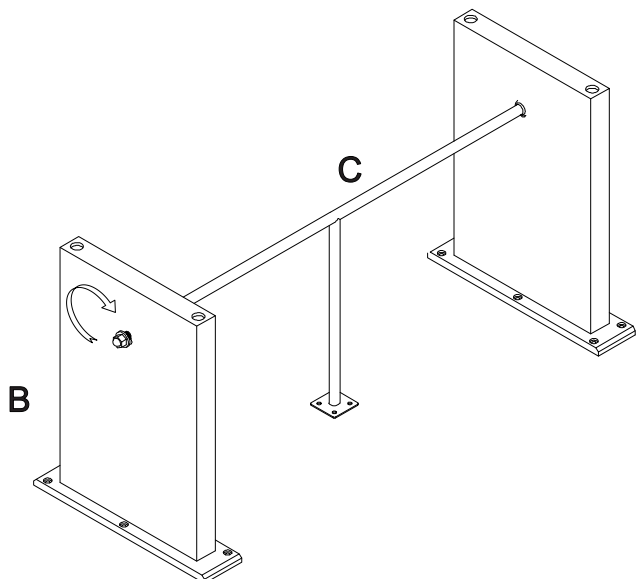


E: Washer x16

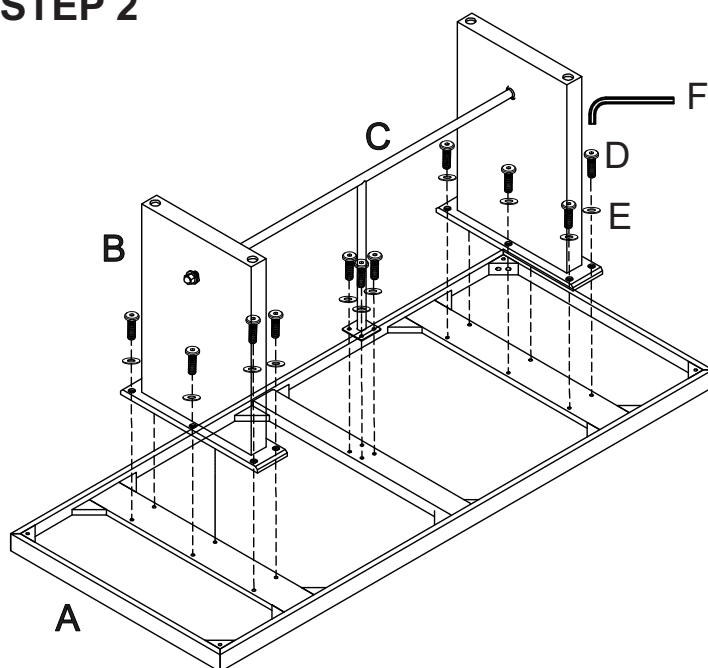


F: Allen wrench x1

## STEP 1



## STEP 2



## STEP 3

