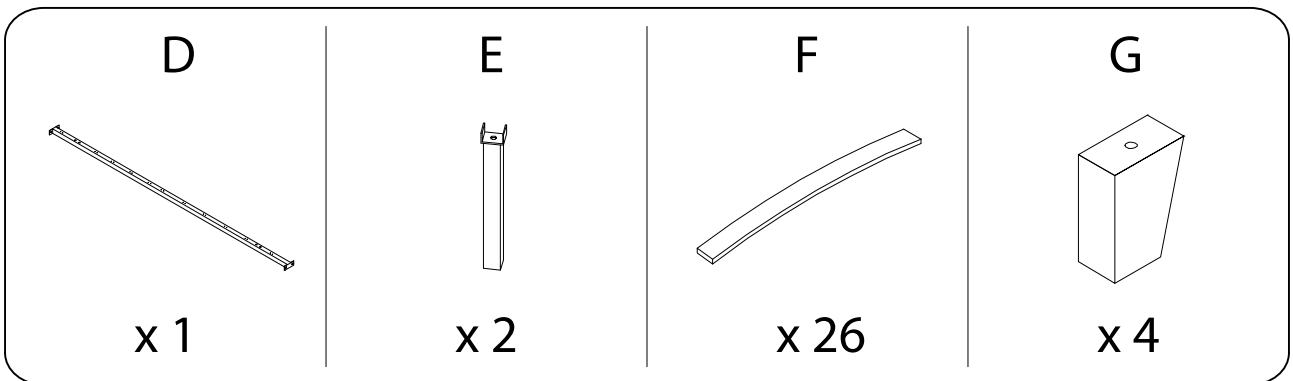
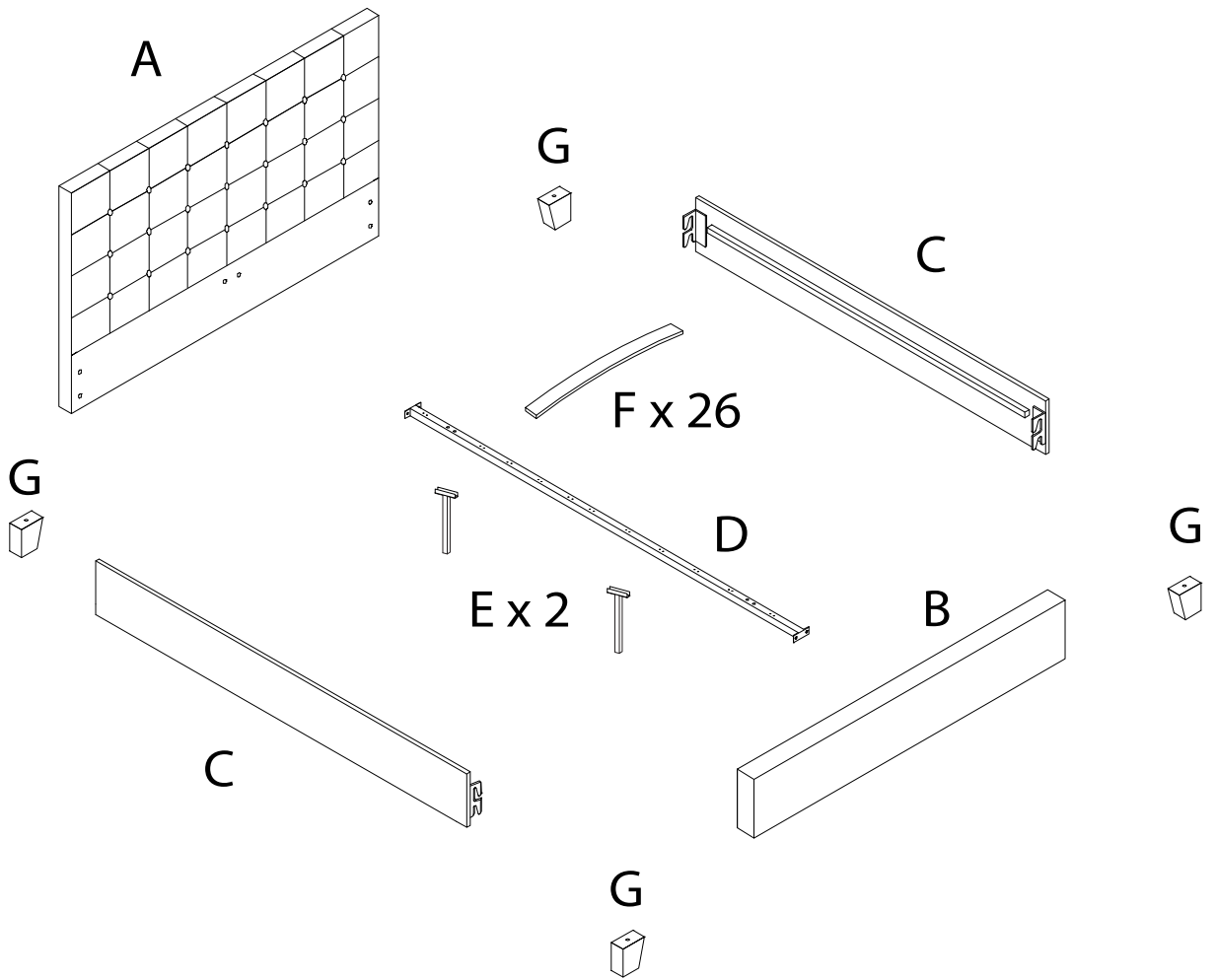
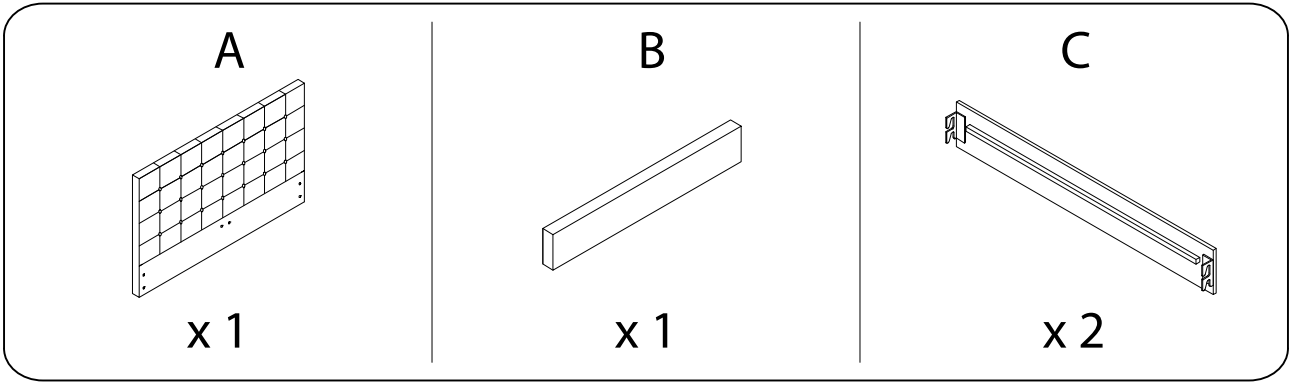
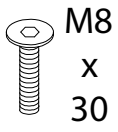


Diagram illustrating assembly steps and safety warnings:

- Step 1:** Shows an L-shaped metal bracket being inserted into a hole. A power drill is shown with a diagonal line through it, indicating that a power drill should not be used for this step. A warning triangle with an exclamation mark is positioned to the right.
- Step 2:** Shows a rectangular block being placed on a surface. A power drill is shown with a diagonal line through it, indicating that a power drill should not be used for this step. A warning triangle with an exclamation mark is positioned to the right.
- Time:** A clock icon is shown, indicating a time of 45 minutes.
- Personnel:** A person icon is shown, indicating that 2 people are required for assembly.

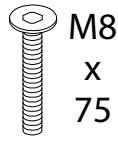


H



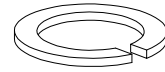
x 14

I



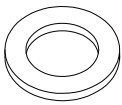
x 4

J



x 8

K



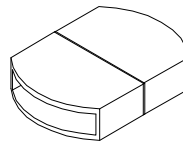
x 10

L



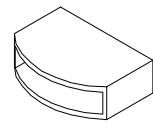
x 1

M



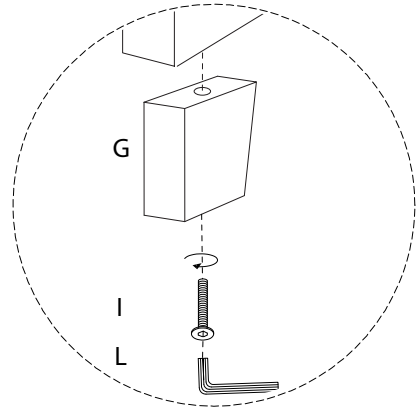
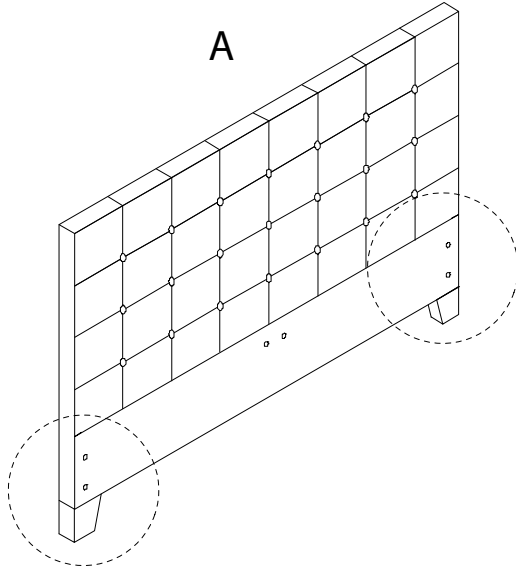
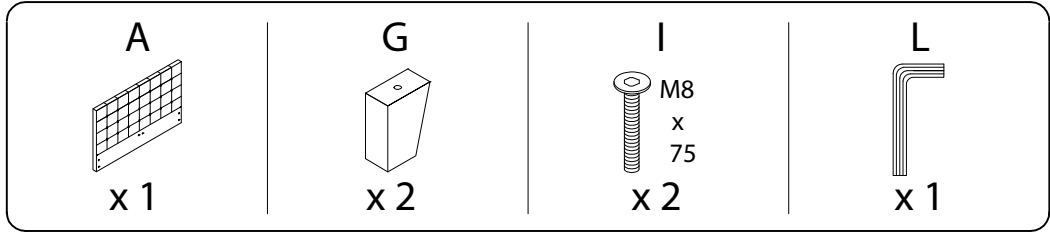
x 13

N

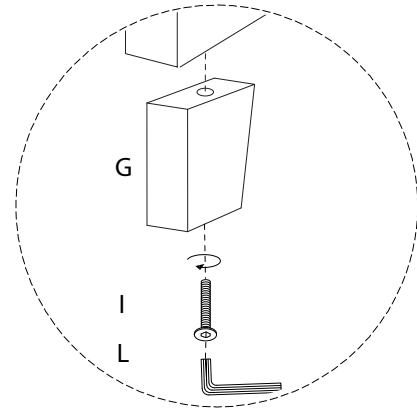
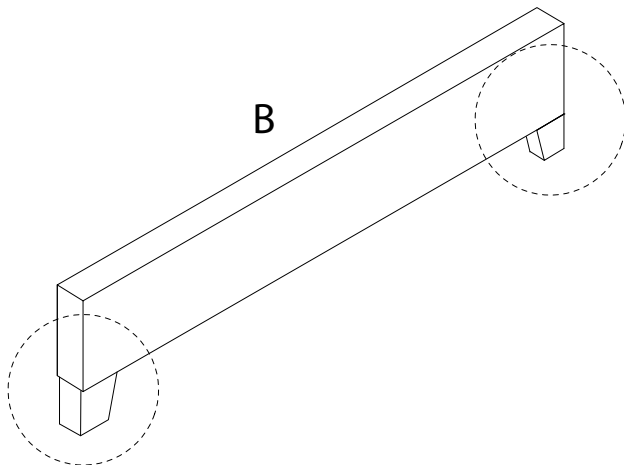
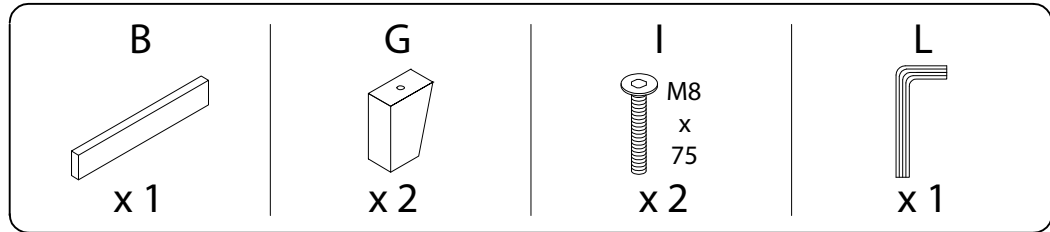


x 26

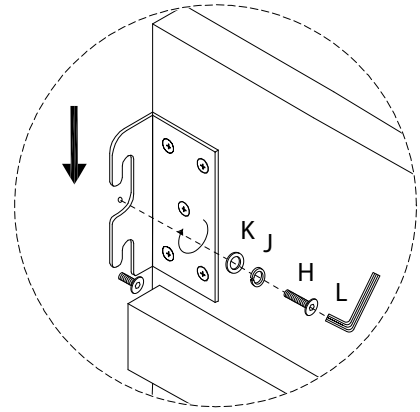
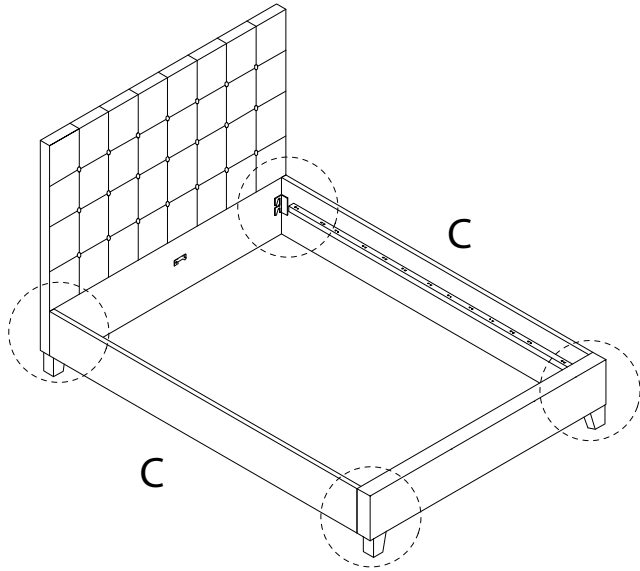
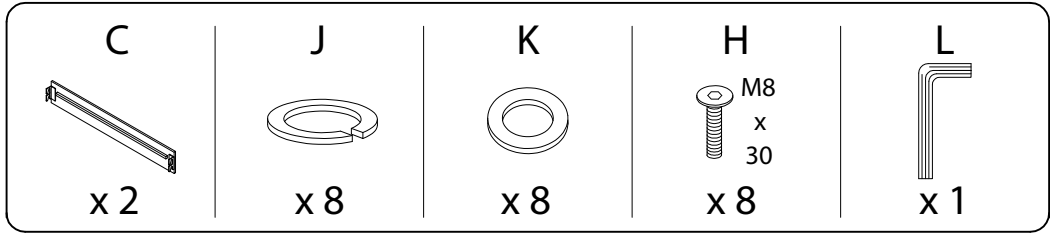
1



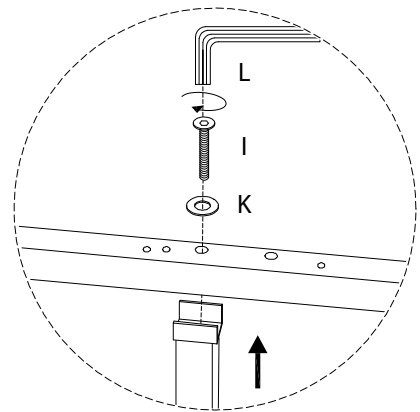
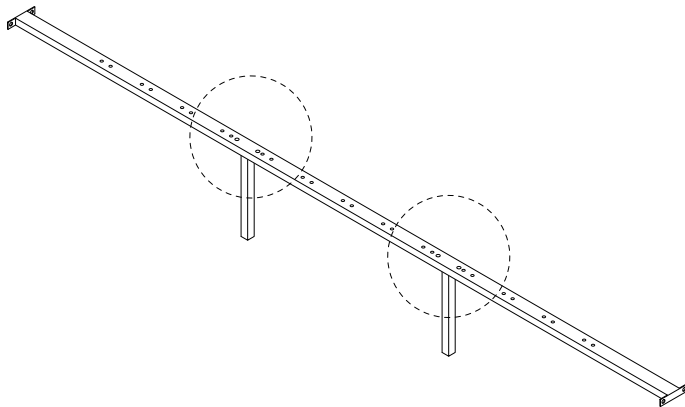
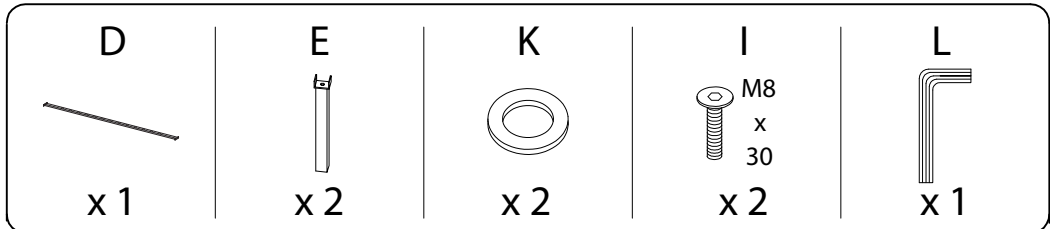
2



3

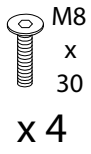


4

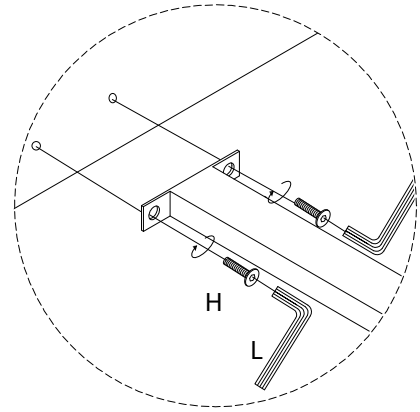
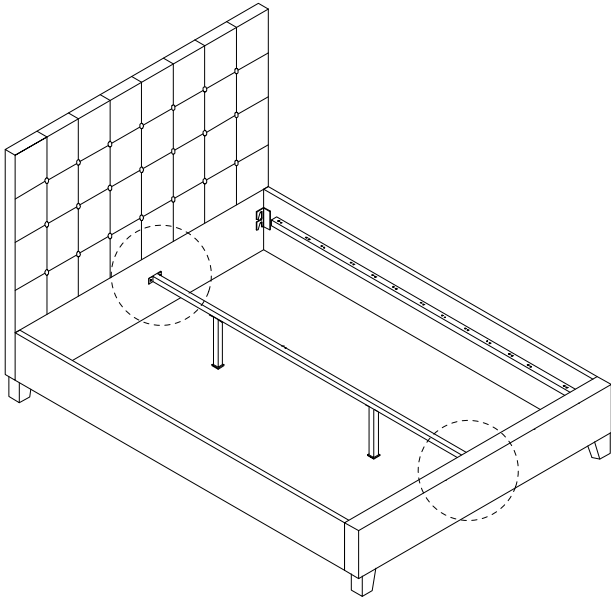
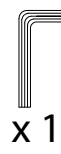


5

H

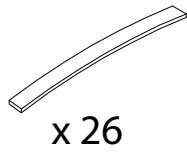


L



6

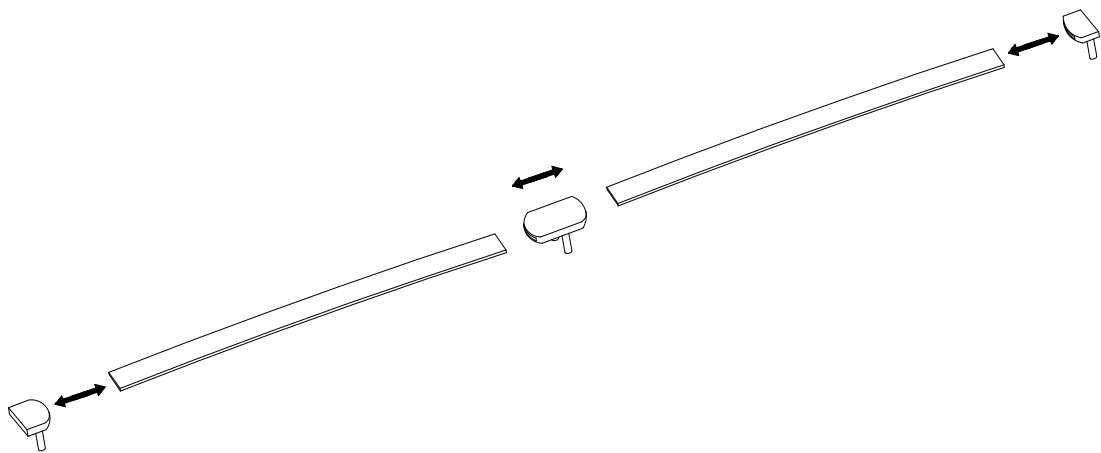
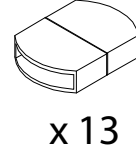
F



N



M



7

