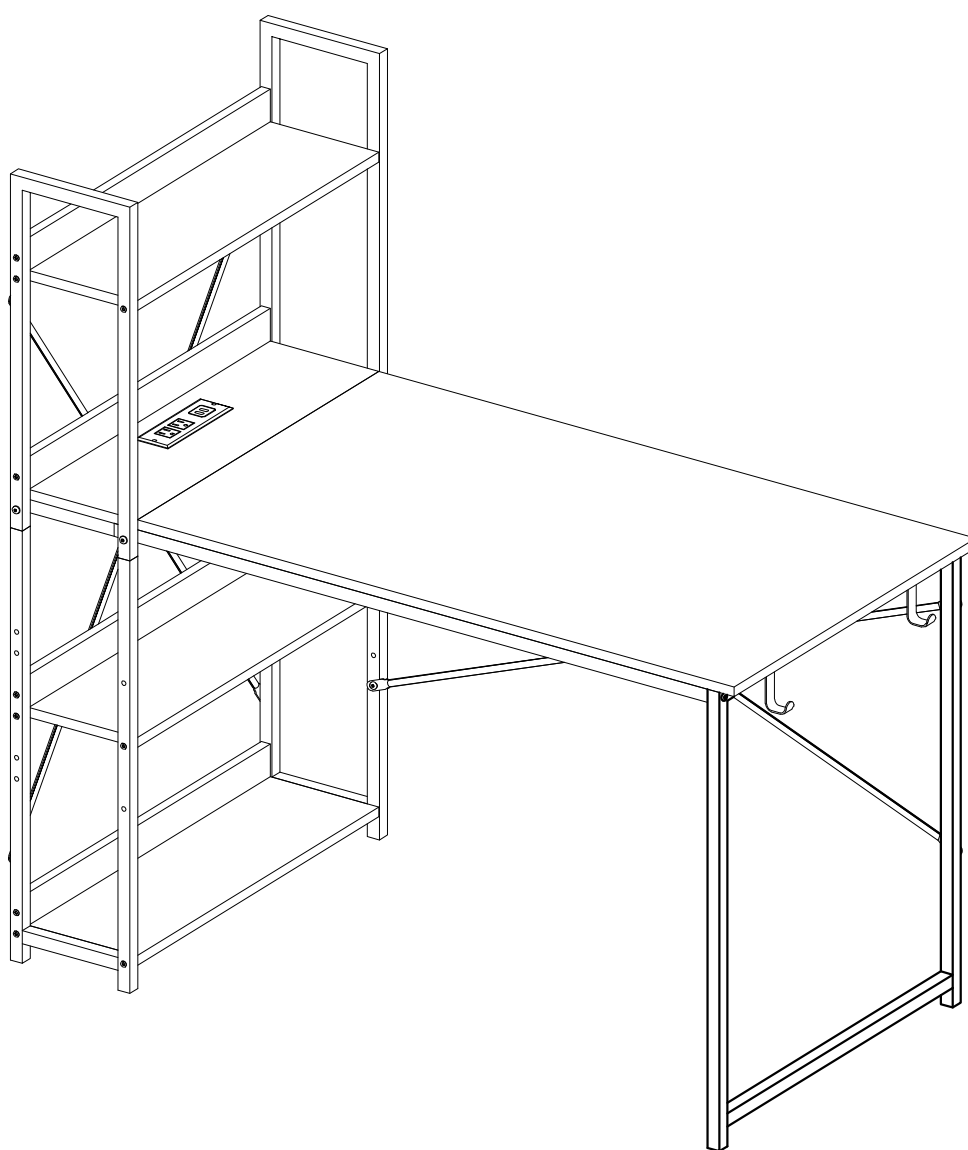
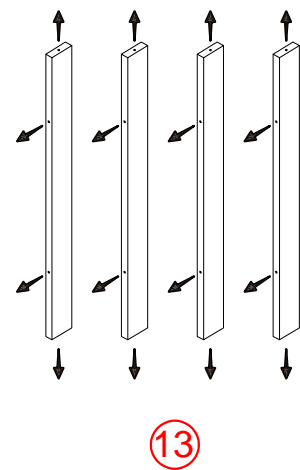
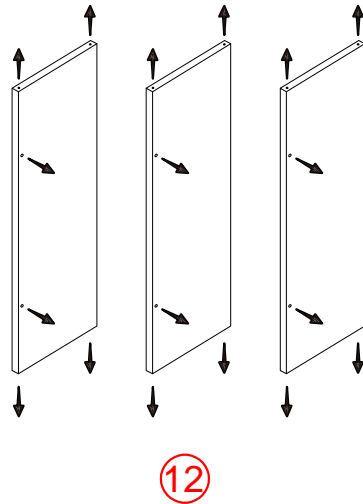
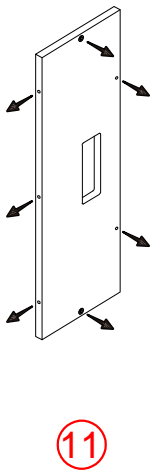
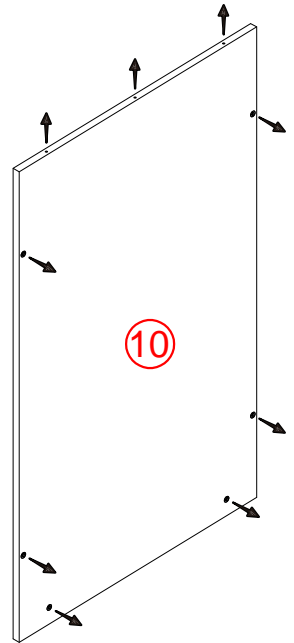
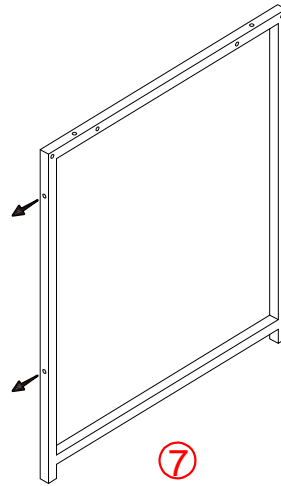
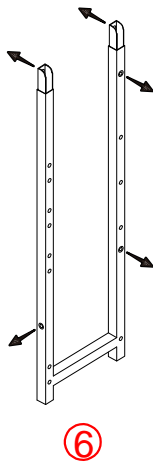
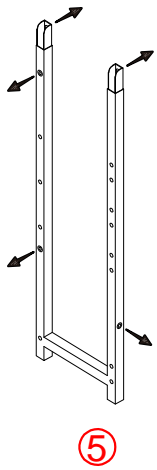
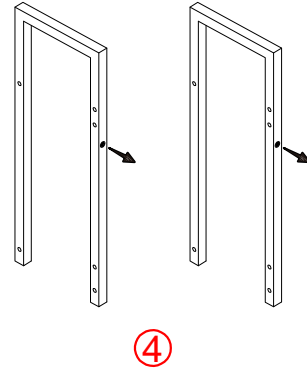
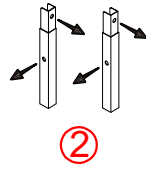
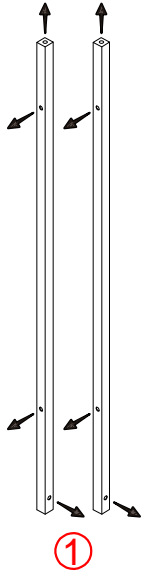


Installation Instruction

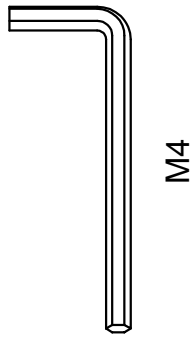
Please don't tighten the screws completely and go back later for a final tightening of all the screws after pieces are aligned with each other.



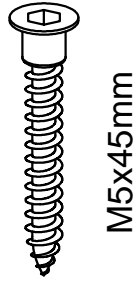
Hardware List



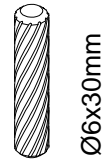
Parta List



A1×1PC



B×28PCS



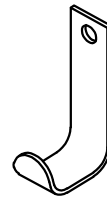
C×3PCS



D×12PCS



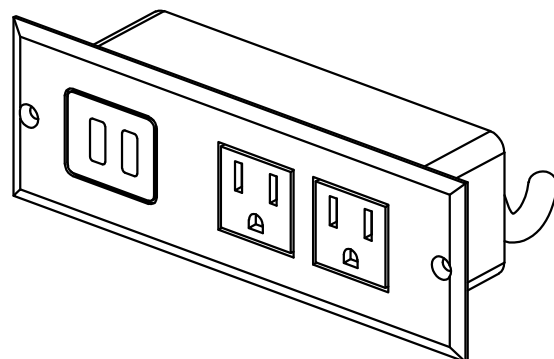
E×12PCS



F×2PCS



G×2PCS



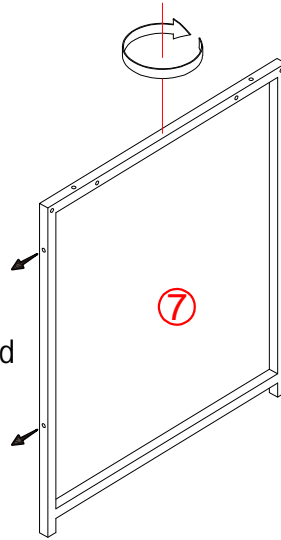
H×1PC

Attention

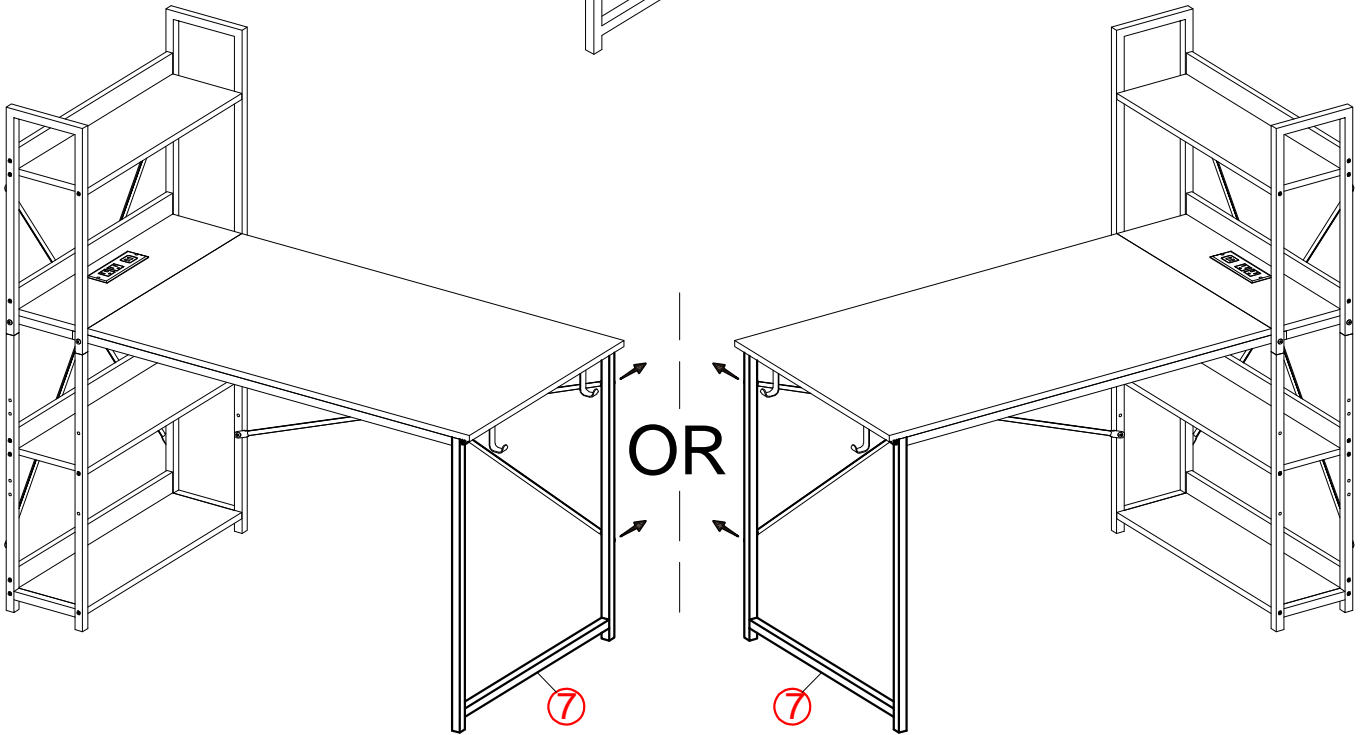
Installation instructions

The product can be installed for left or right hand use according to your requirements
Just rotate no. 7 fitting 180° before installing No. 3 fitting

Rotate 180 °



Note the perforated side behind

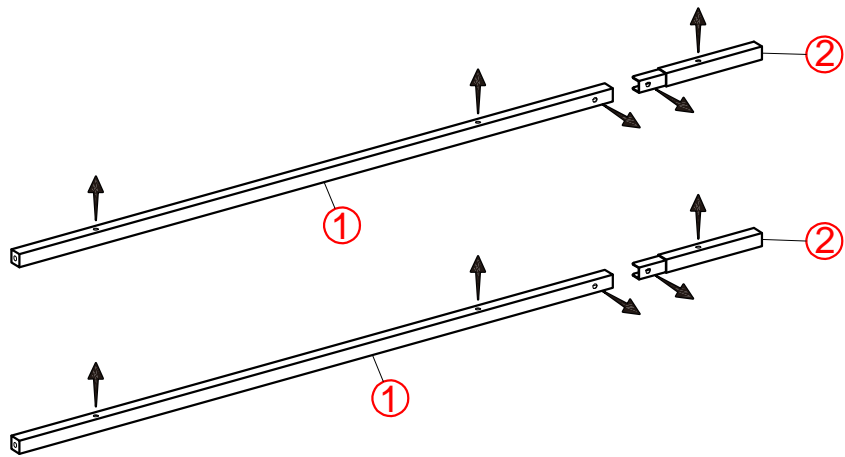


Method 1

Method 2

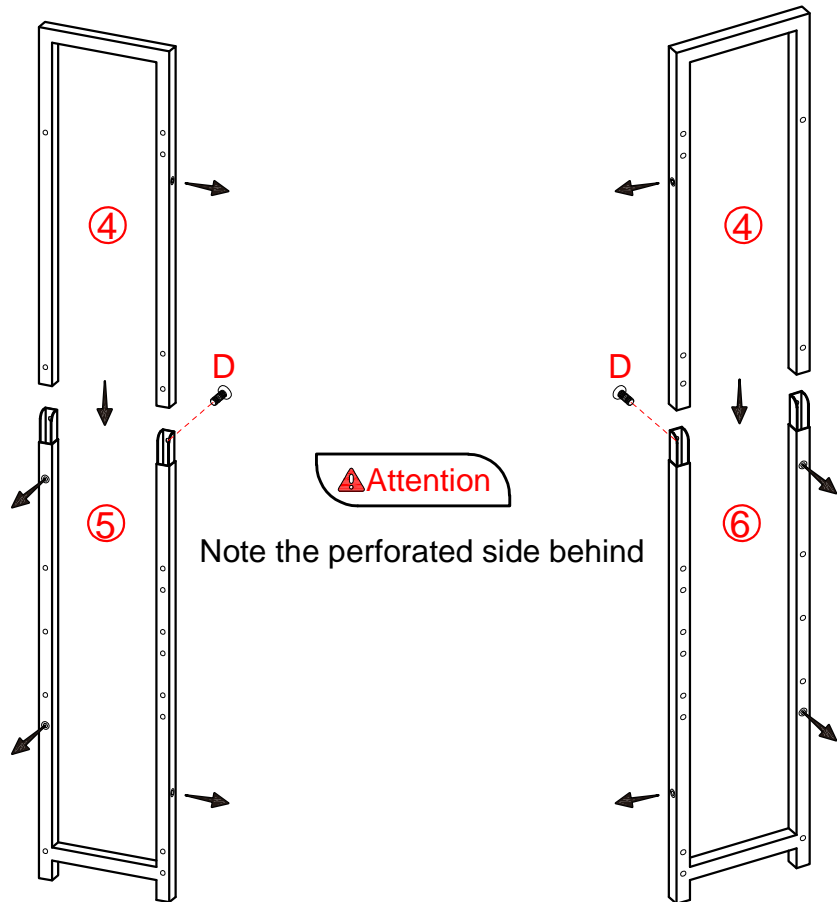
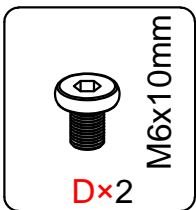
1

- ① x2PCS
- ② x2PCS



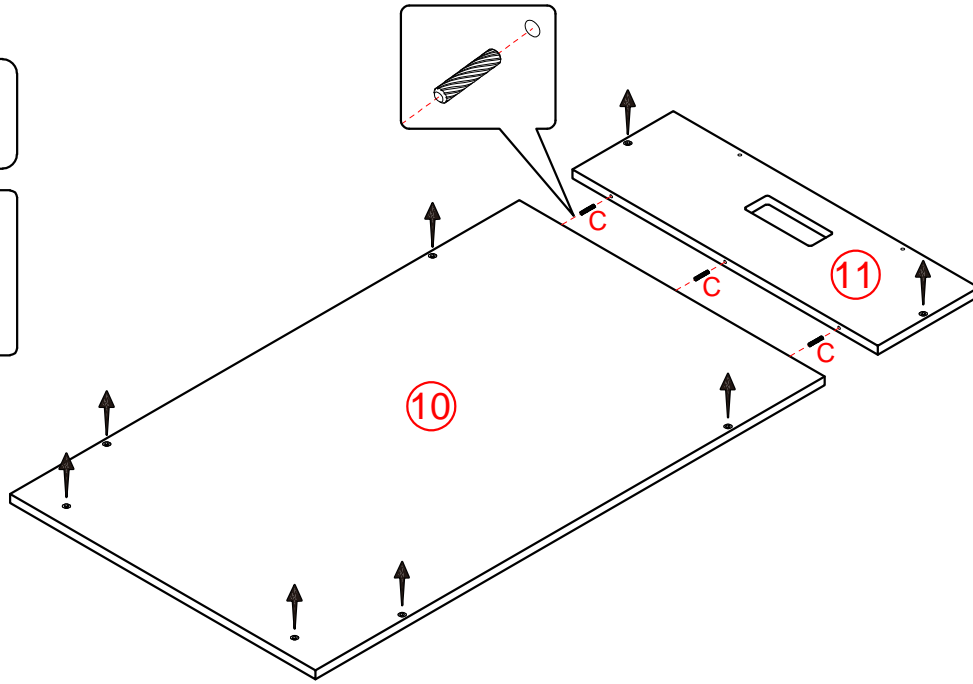
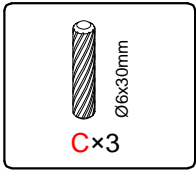
2

- ④ x2PCS
- ⑤ x1PC
- ⑥ x1PC



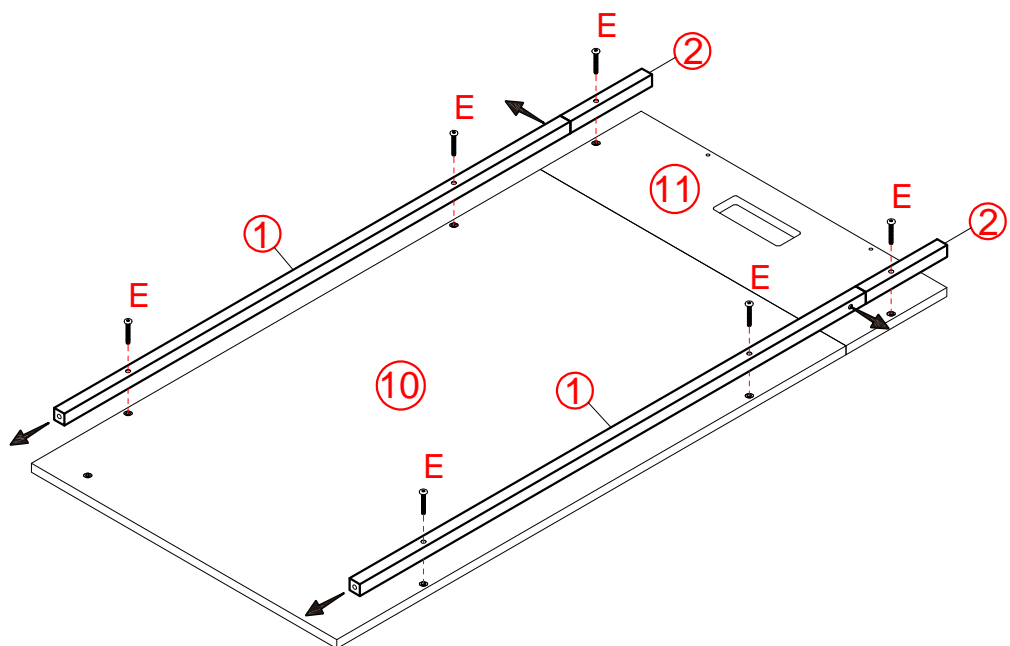
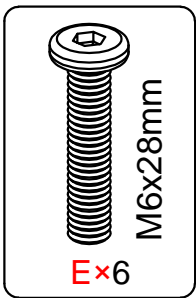
3

- ⑩ x1PC
- ⑪ x1PC



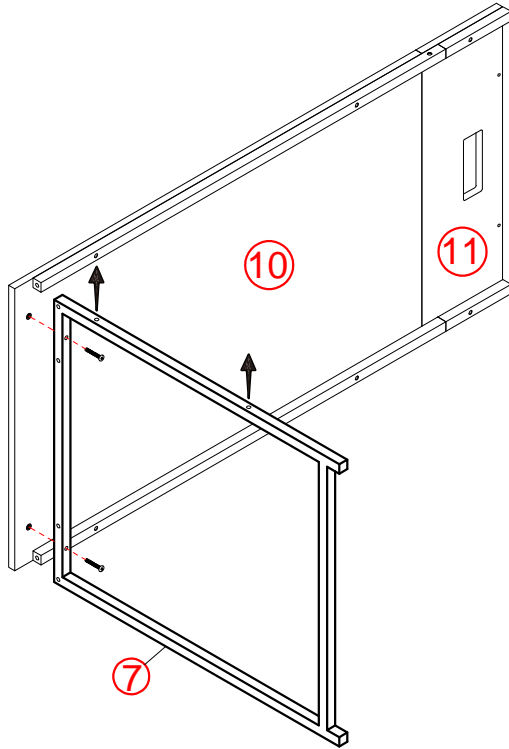
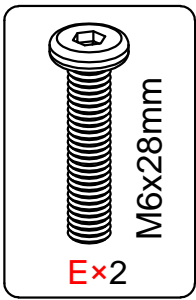
4

- ① x2PCS
- ② x2PCS



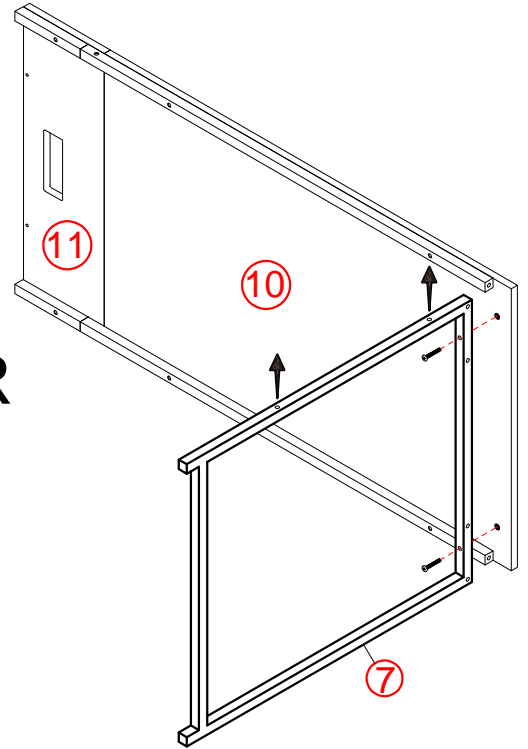
5

⑦ × 1PC



Method 1

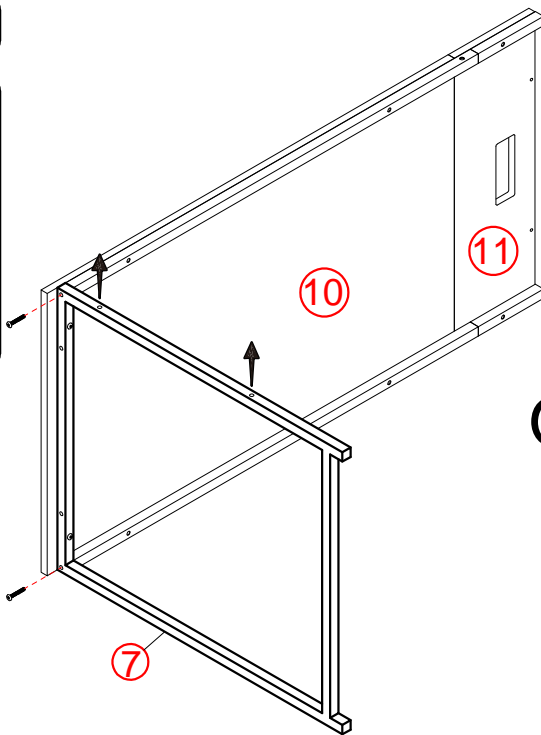
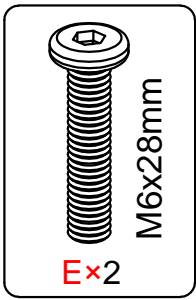
OR



Method 2

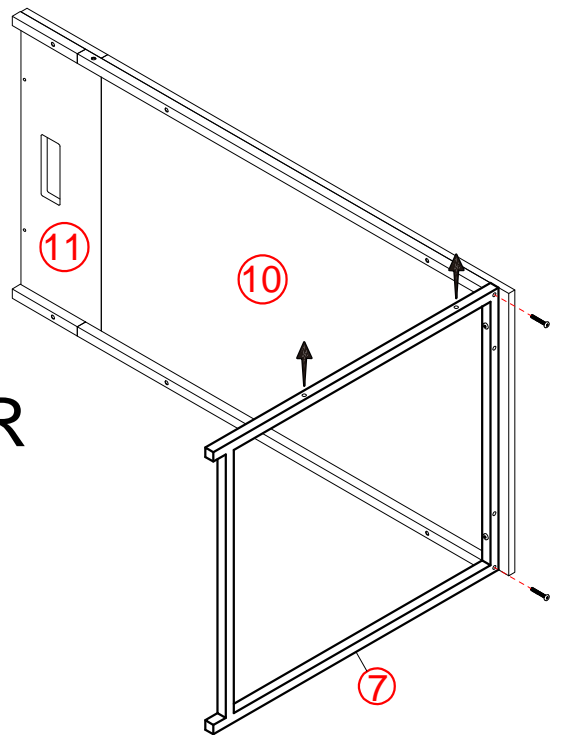
6

⑦ × 1PC



Method 1

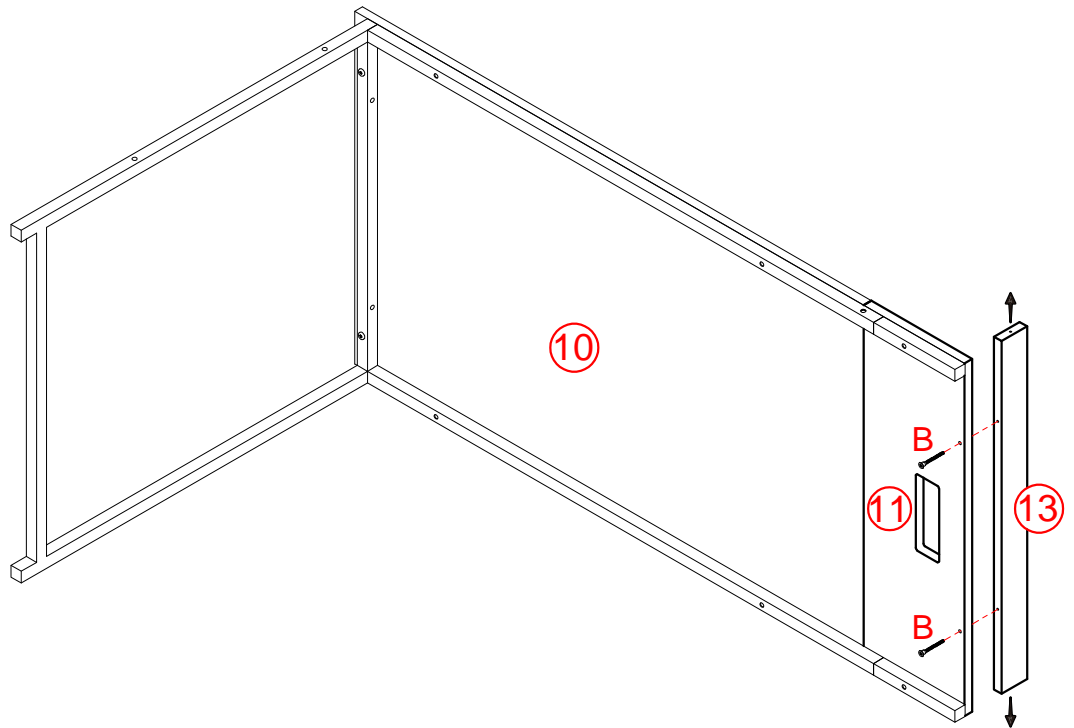
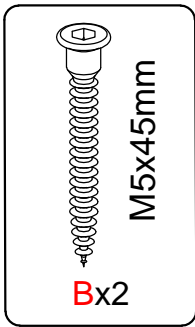
OR



Method 2

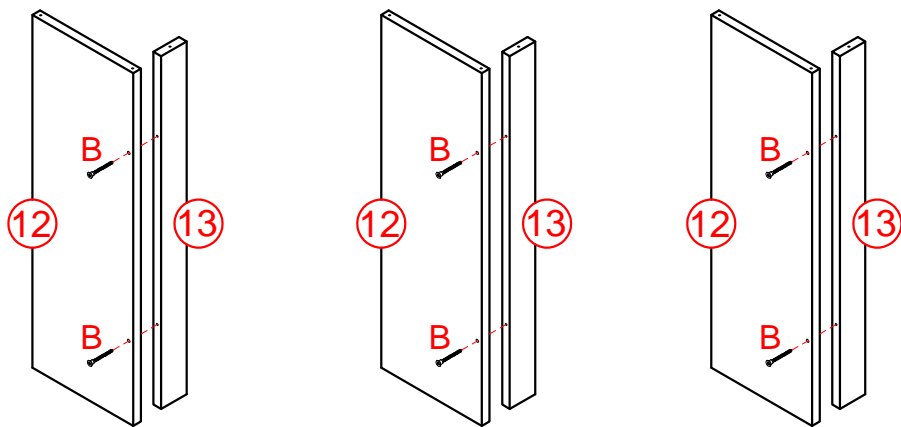
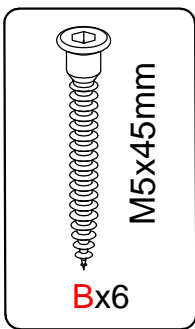
7

13x1PC



8

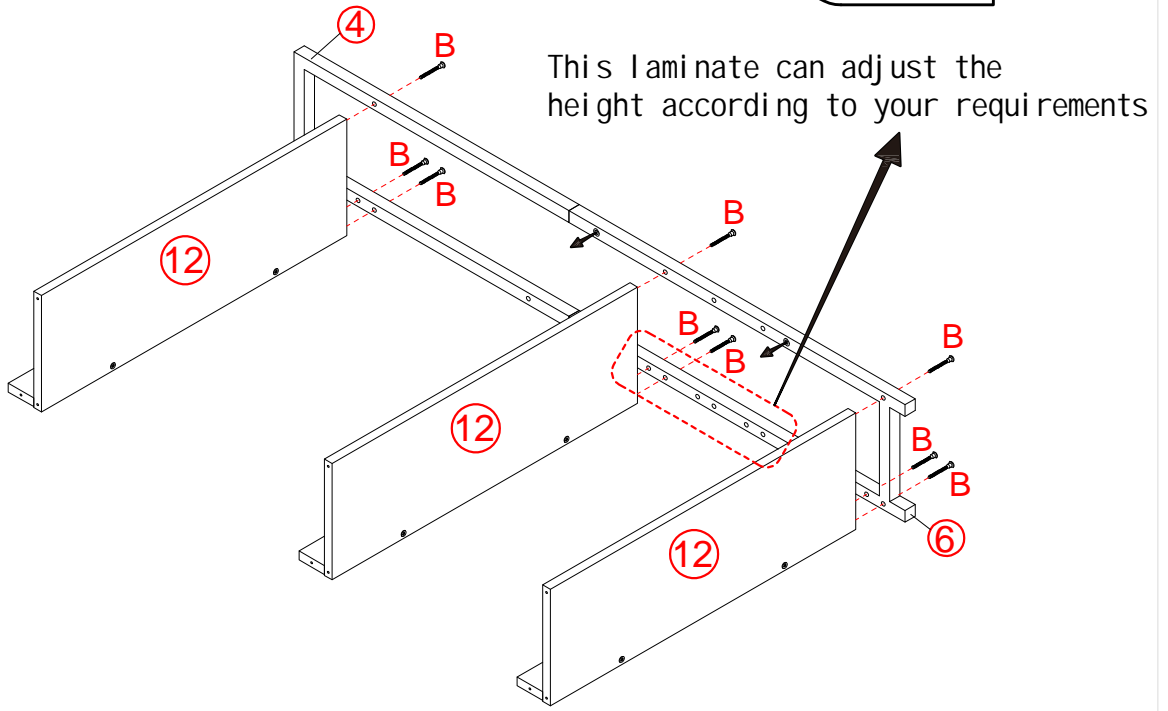
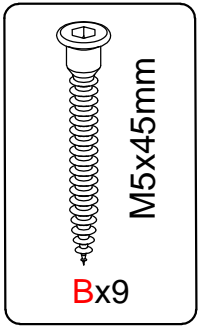
12x3PCS
13x3PCS



9

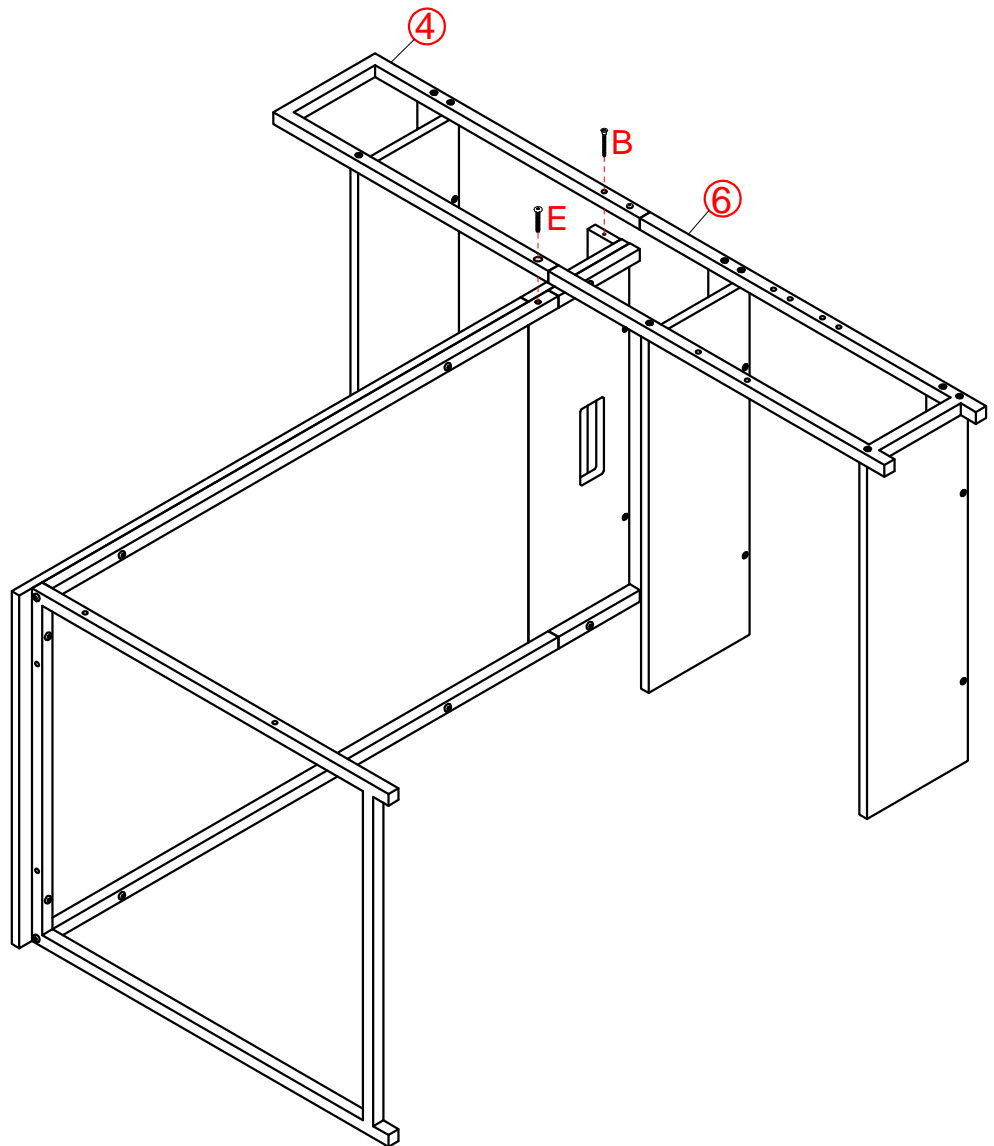
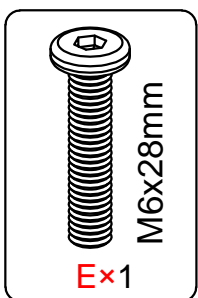
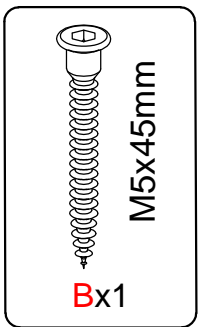
Attention

- ⑫×3PCS
- ④×1PC
- ⑥×1PC



10

- ④×1PC
- ⑥×1PC



11

④×1PC

⑤×1PC



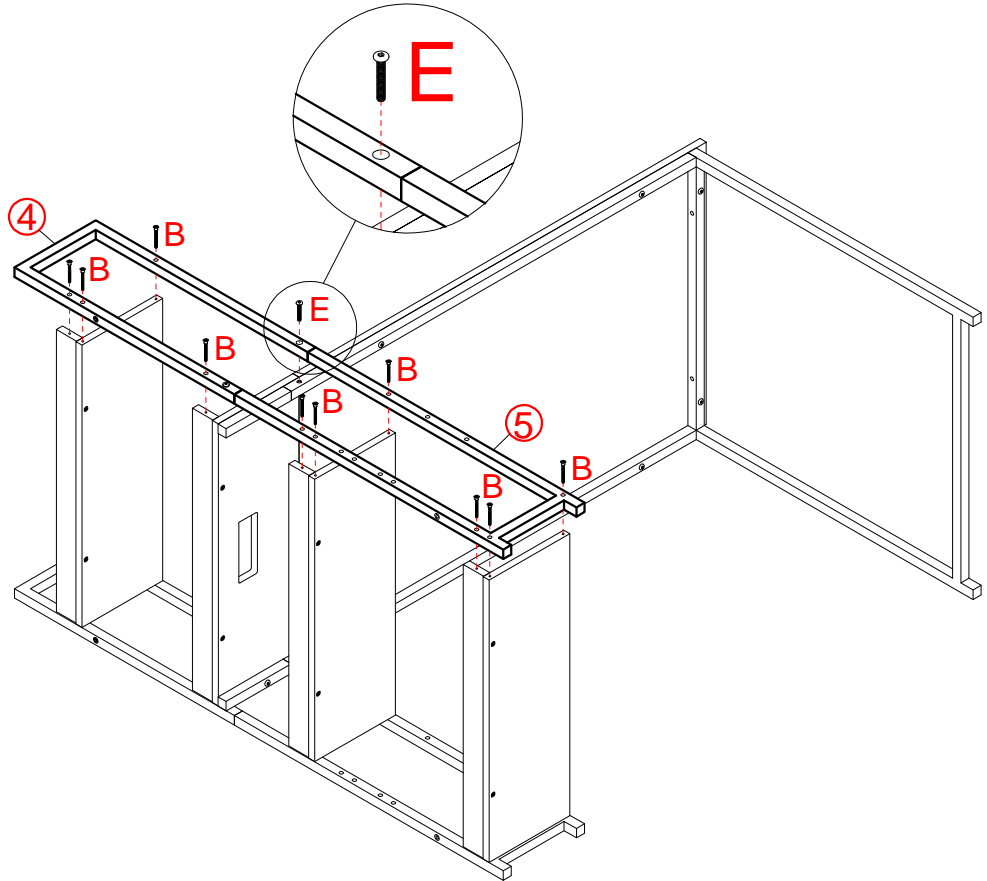
M5x45mm

Bx10



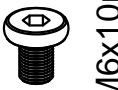
M6x28mm

E×1



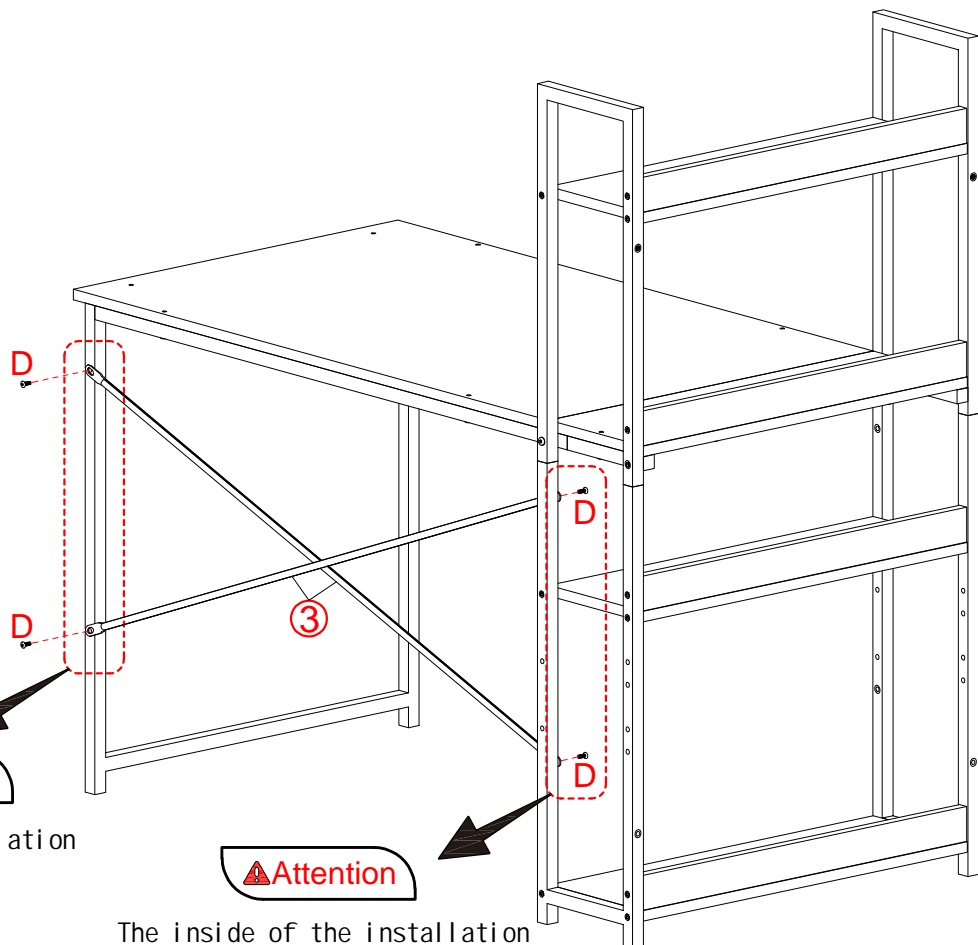
12

③×2PCS



M6x10mm

D×4



⚠Attention

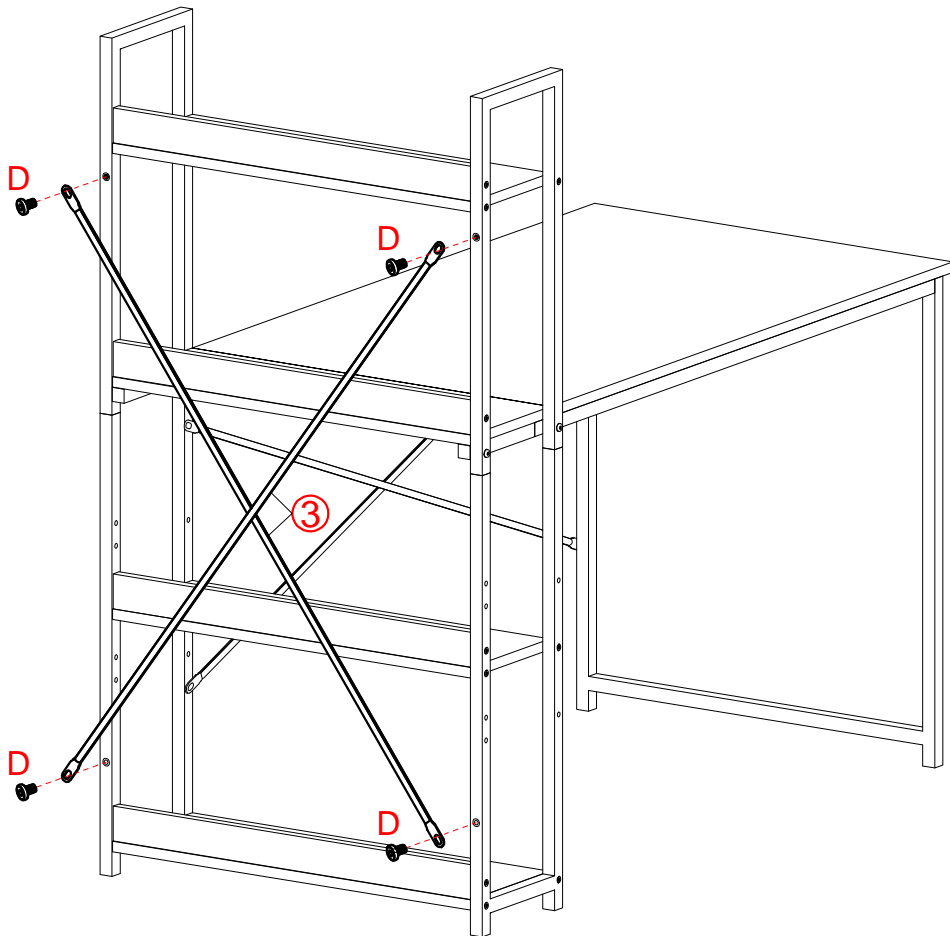
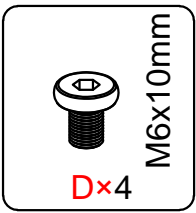
The lateral installation

⚠Attention

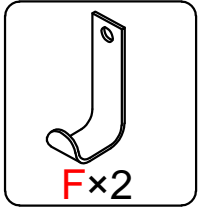
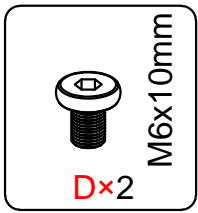
The inside of the installation

13

③×2PCS

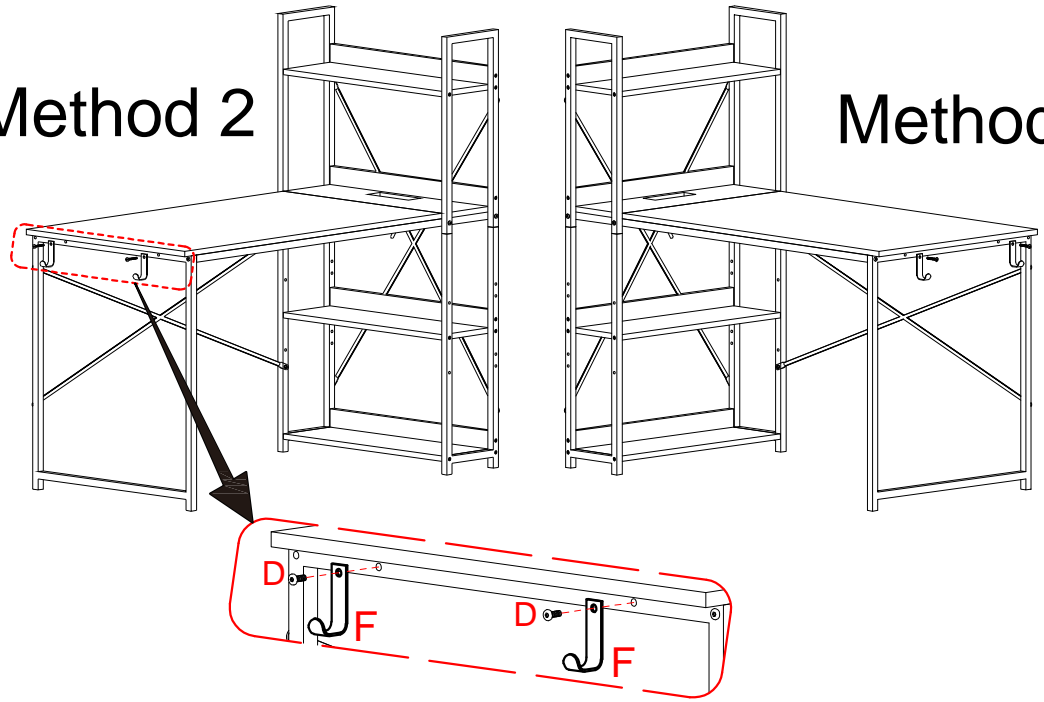


14

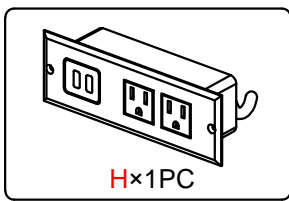


Method 2

Method 1



15



Method 2

Method 1

