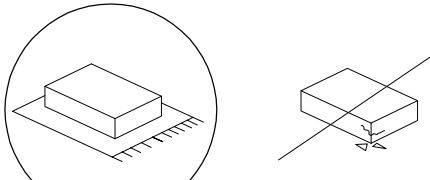

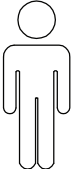
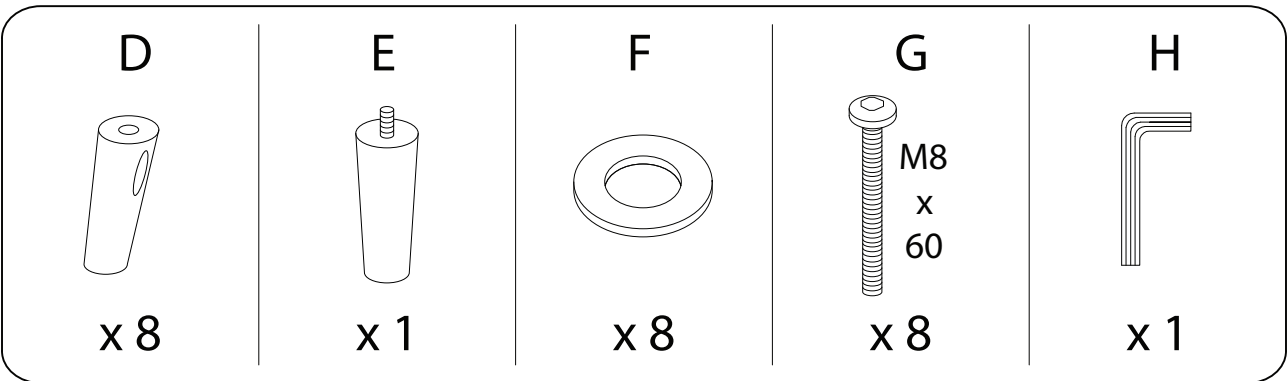
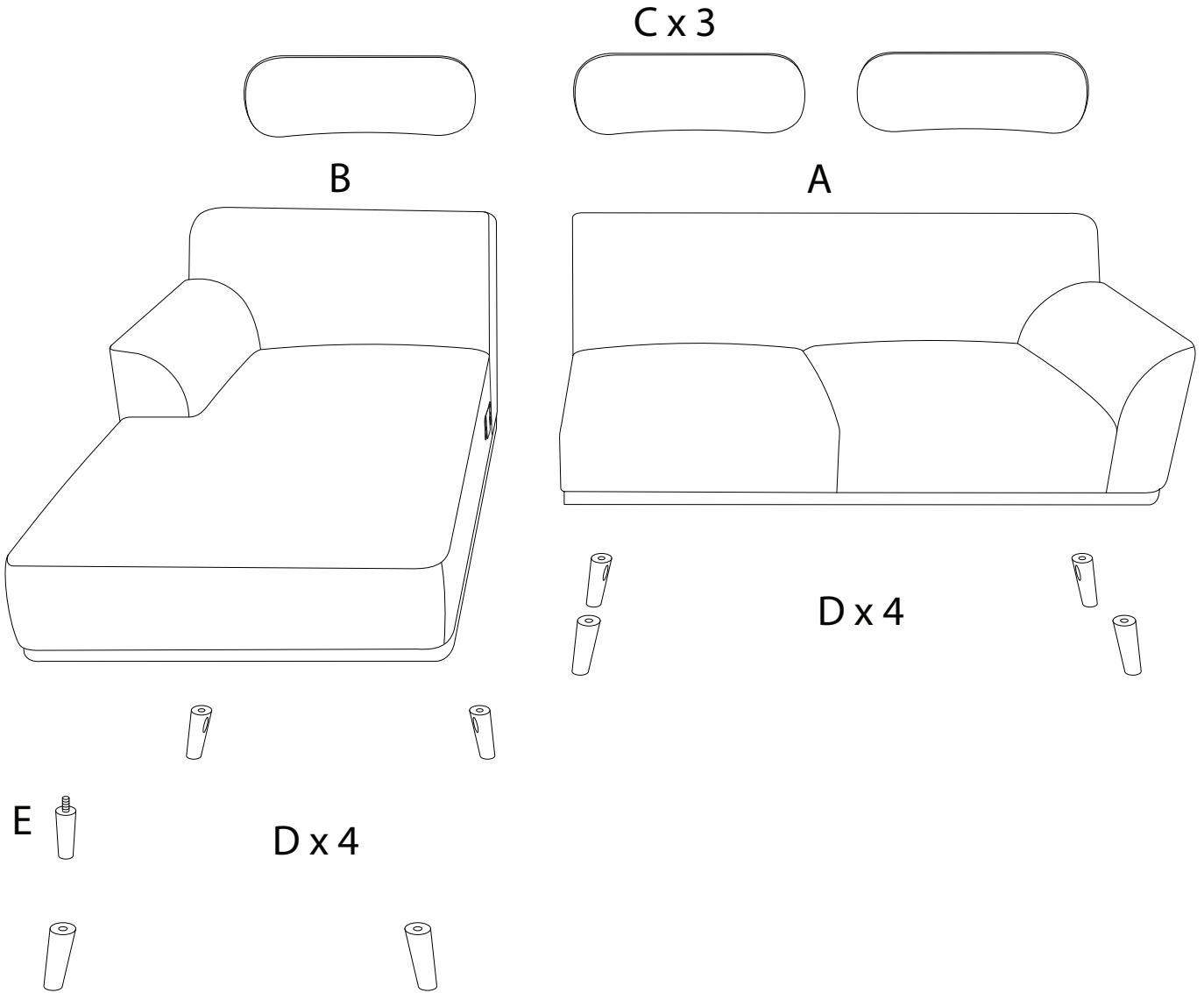
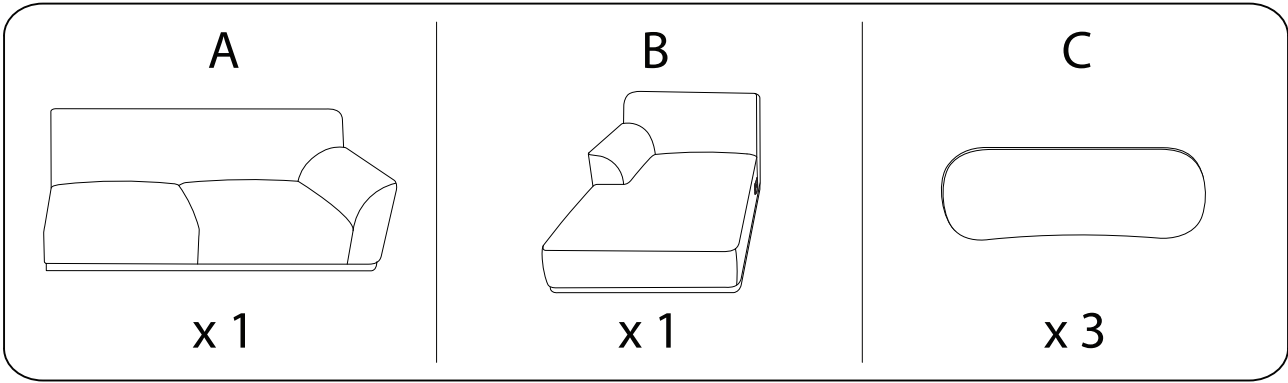
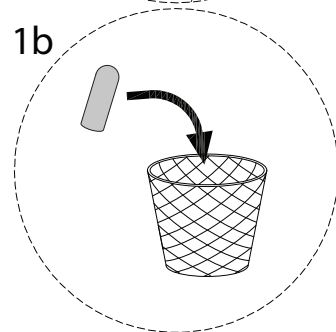
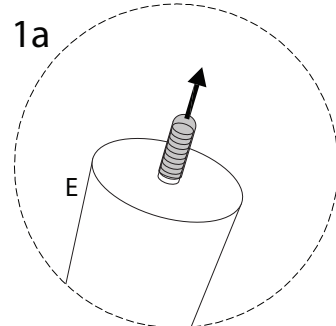
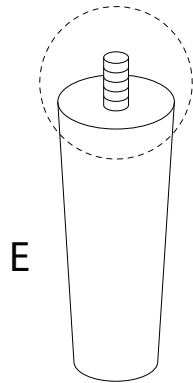
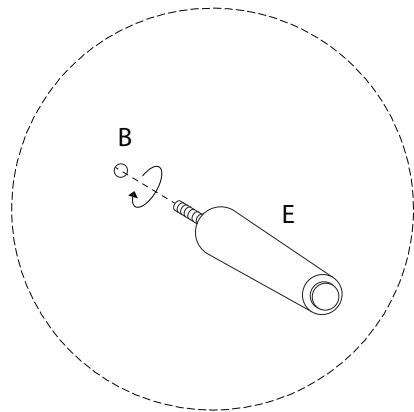
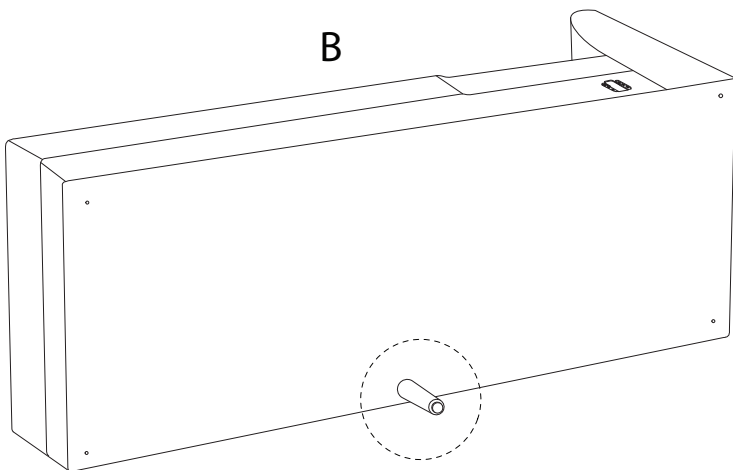
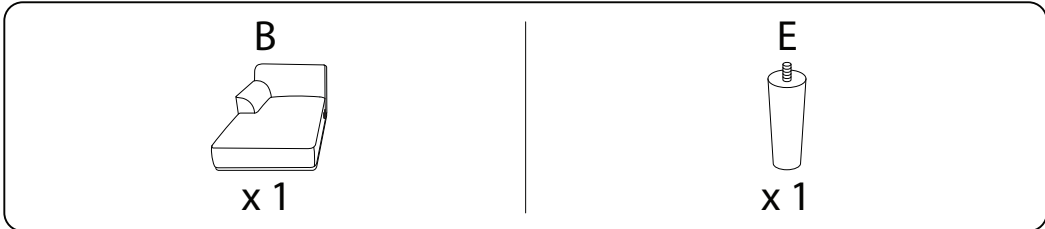

		15'
		
		2



!



1



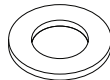
2

D



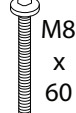
x 4

F



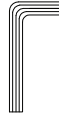
x 4

G

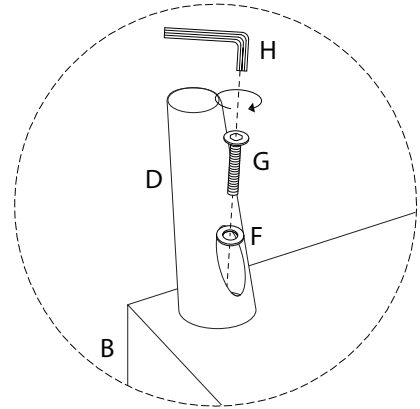
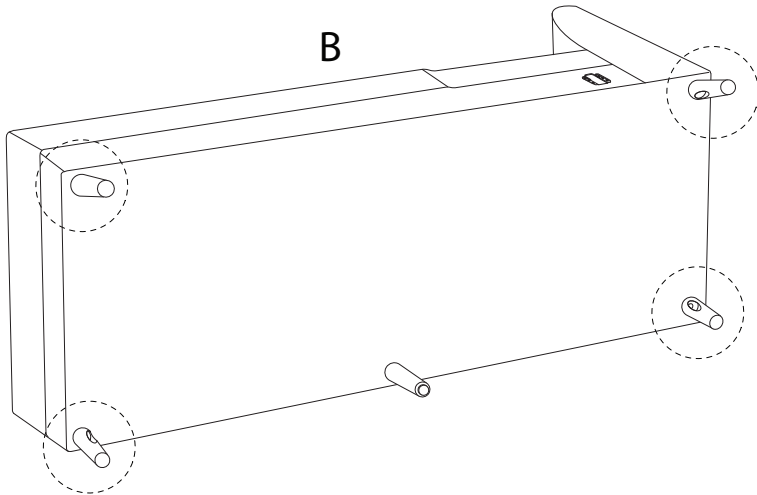


M8  
x  
60  
x 4

H

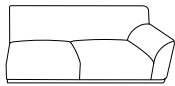


x 1



3

A



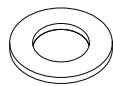
x 1

D



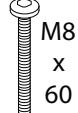
x 4

F



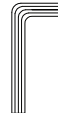
x 4

G

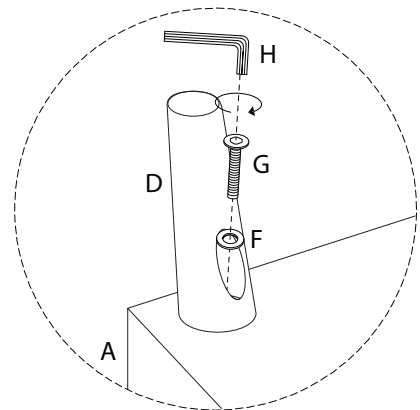
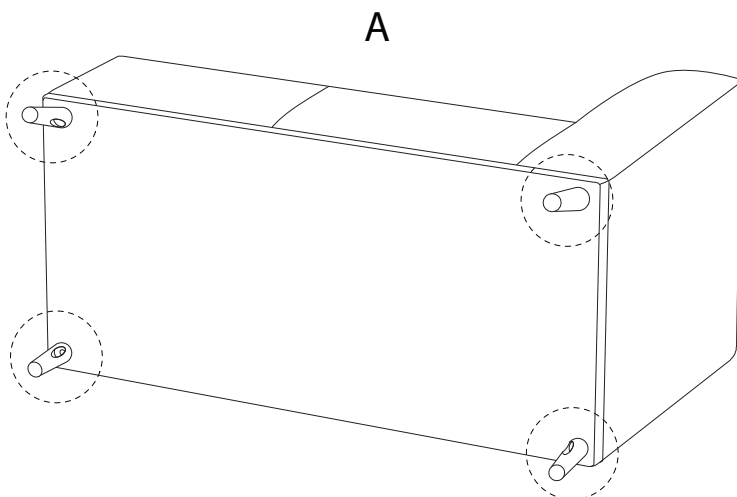


M8  
x  
60  
x 4

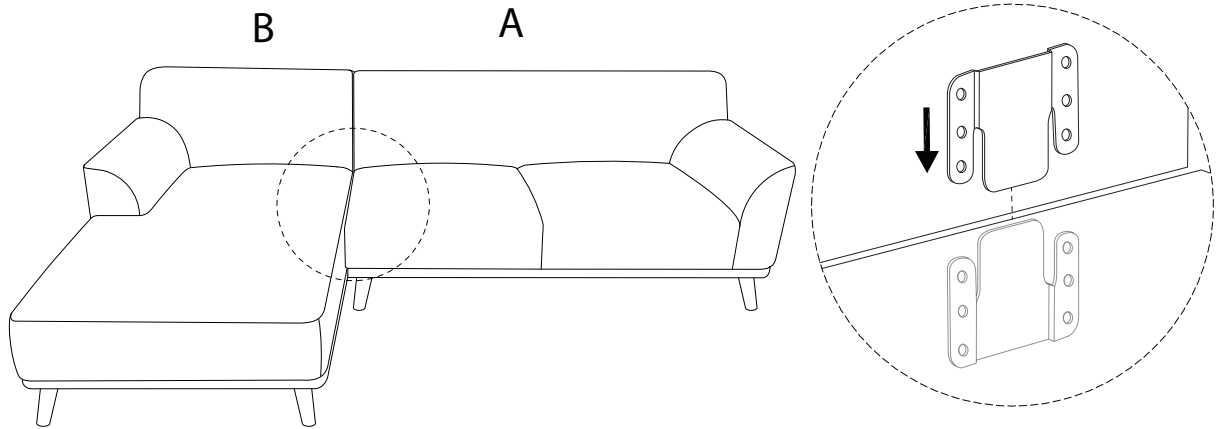
H



x 1



4



5

