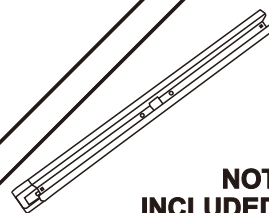
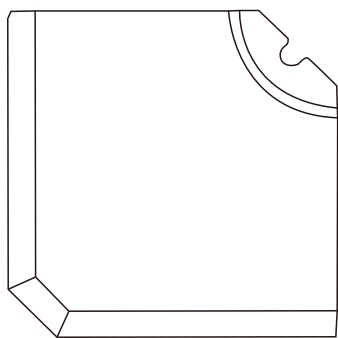


ASSEMBLY INSTRUCTION

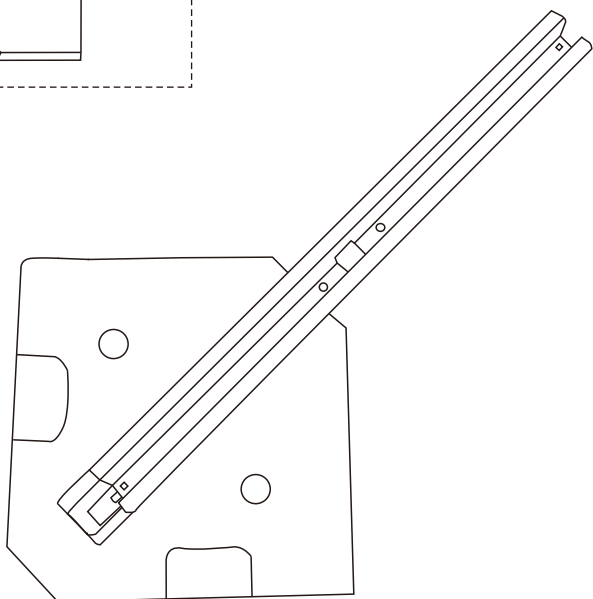
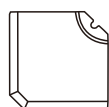
A x 4



NOT INCLUDED

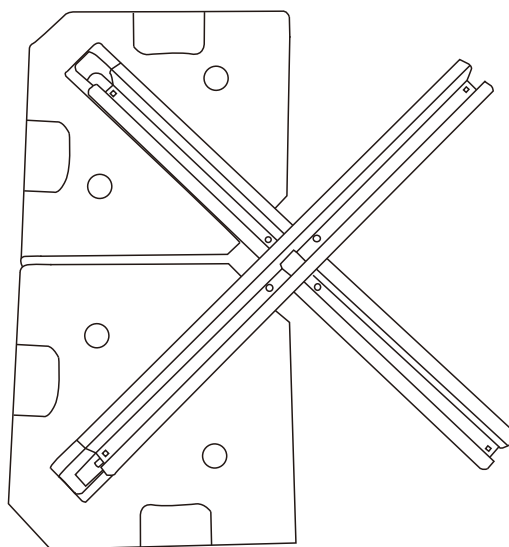
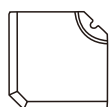
A x 1

01



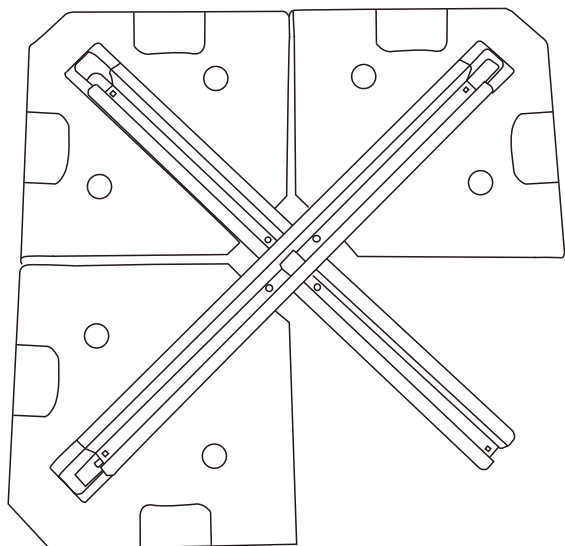
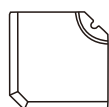
A x 1

02



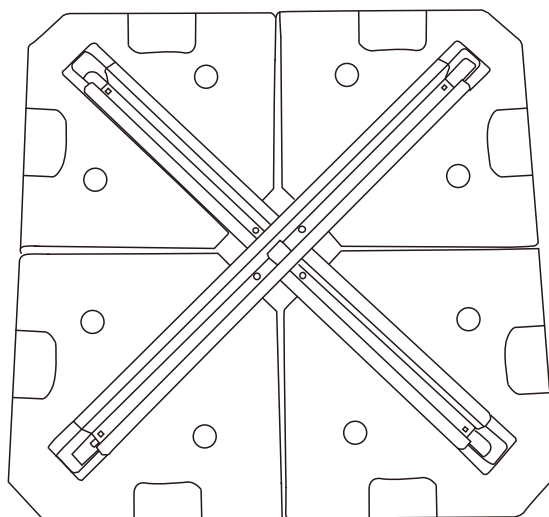
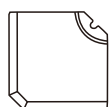
A x 1

03



A x 1

04



done