

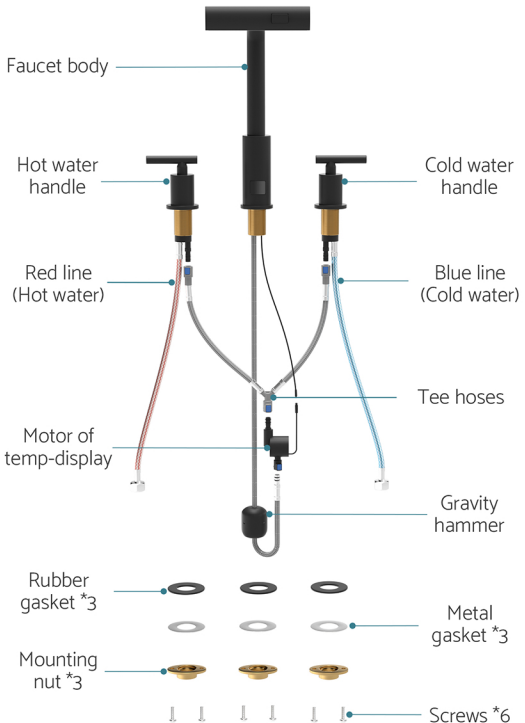
LEFTON

Installation Manual

BFWS2401

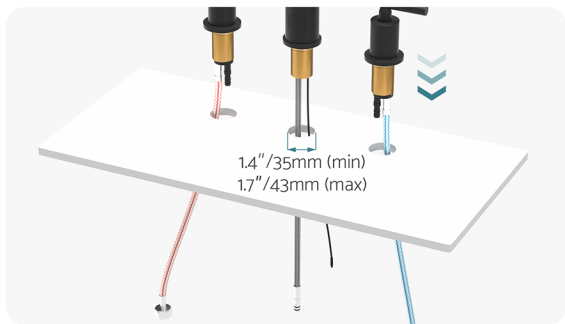


Diagram and Parts List



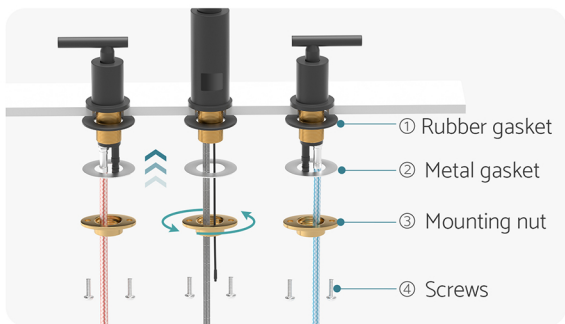
STEP 1:

Install the faucet and handle to the countertop.



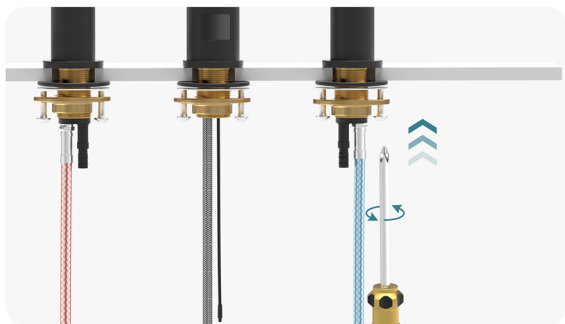
STEP 2:

Install gaskets, nut and fasten the screws.



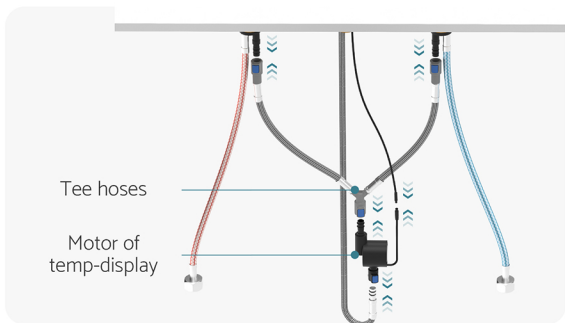
STEP 3:

Fasten the screws with the screwdriver.



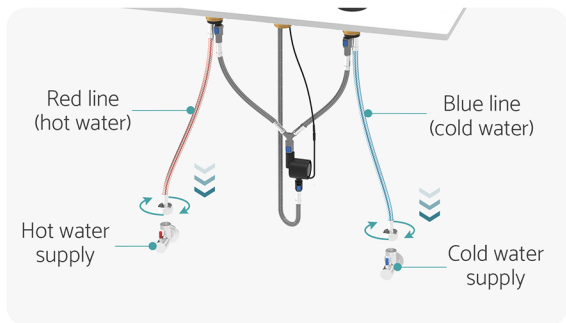
STEP 4:

Connect the motor, cables and tee hoses.



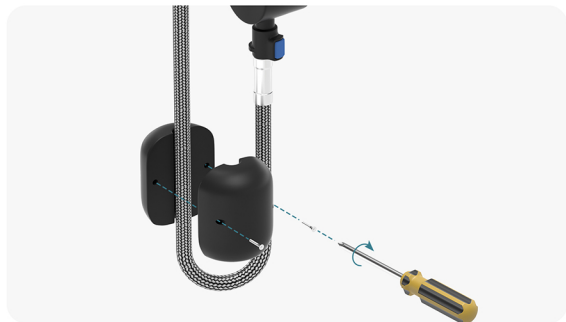
STEP 5:

Connect the hot, cold water supply.



STEP 6:

Attach the gravity ball as shown in the picture below and attach it to the pull-out faucet hose.



STEP 7:

Turn the faucet on and check for leaks.

