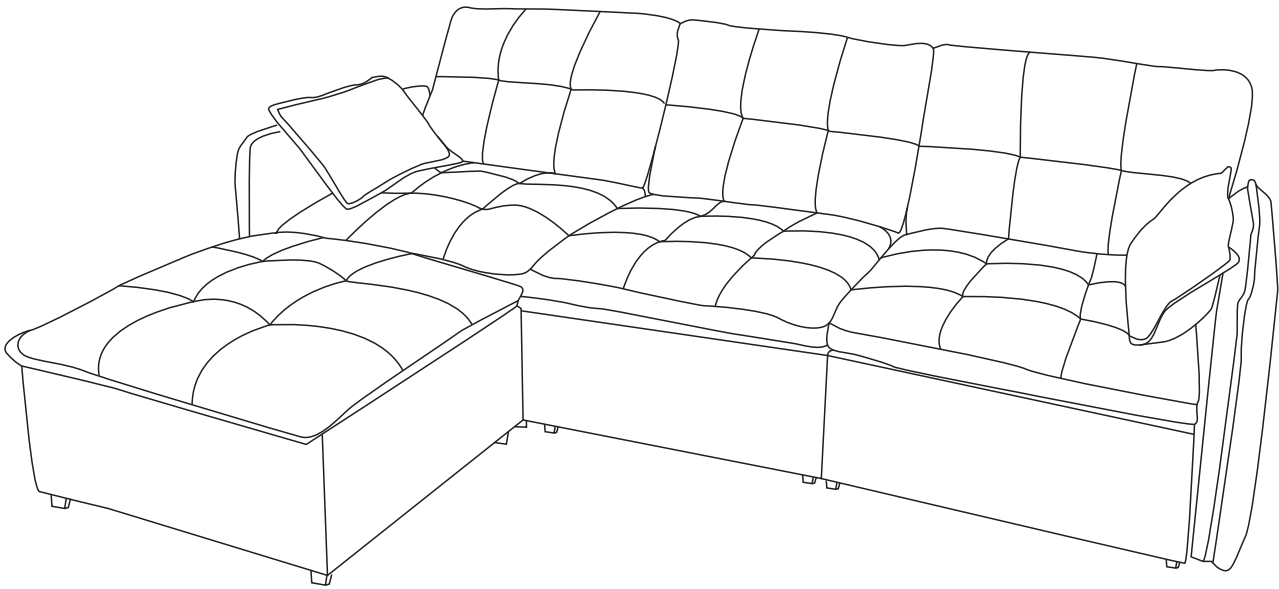


# Assembly Instruction

---

## MODERNSOFA



Thank you for choosing our product!

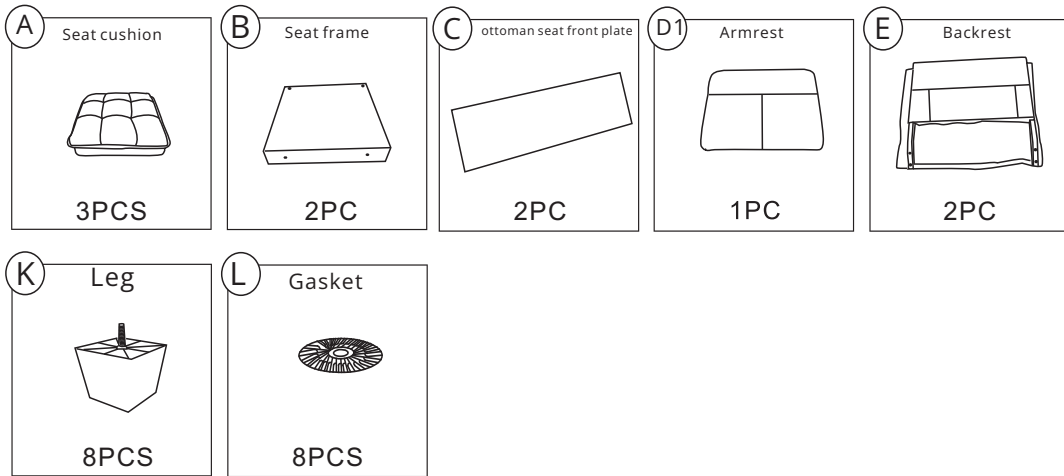
To ensure safe and satisfactory use, please carefully review the following instructions before assembly:

- 1.** The 3-seat sofa with ottoman ships in 2 separate boxes. Please assemble the sofa only after receiving both boxes.
- 2.** The cushions are vacuum-packed for convenient shipping. Allow 2 - 3 days for them to fully expand and for any wrinkles to smooth out.
- 3.** If any parts are missing or damaged, please contact us with the specific part name, and we'll send a replacement as soon as possible.

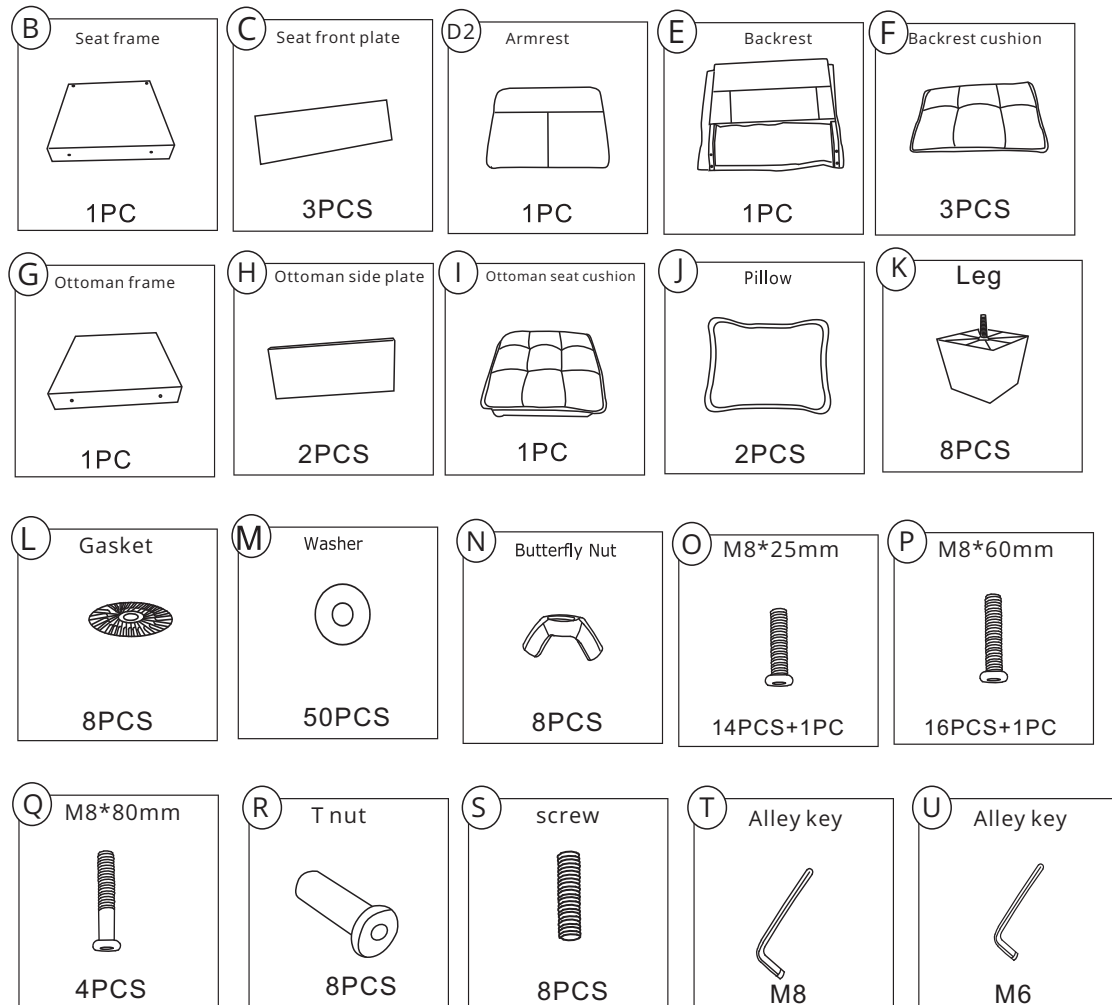
We're here to help if you need any assistance!

## PART LIST & HARDWARE

### Parts List of Box A



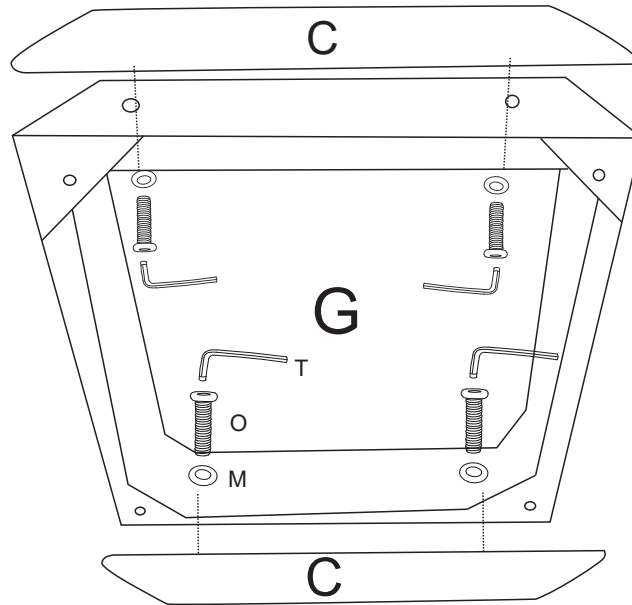
### Parts List of Box B



Notes: Please retain all of the packages until you are ensuring all the items were no damaged and you do not wish to return.

# ASSEMBLY STEPS

## Step 1

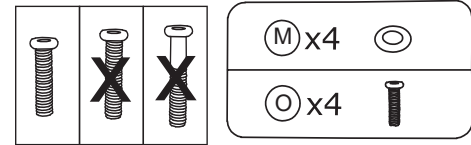


**Accessories:**

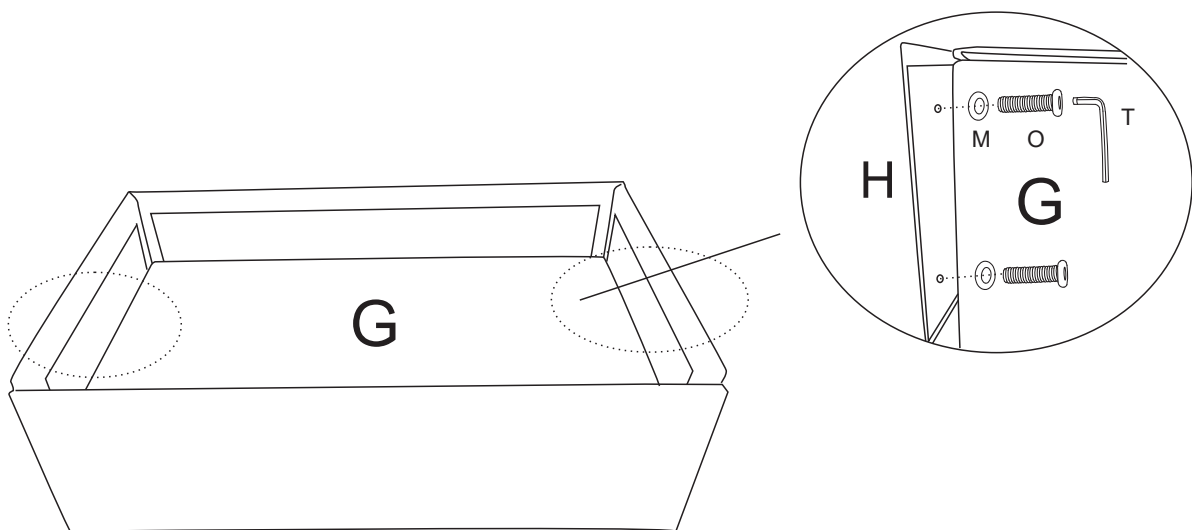
PartG \*1;PartC \*2;PartM \*4;PartO \*4;PartT

**Installation Steps :**

Using the hex wrench (T), secure part C to the part G using screws (M & O).



## Step 2

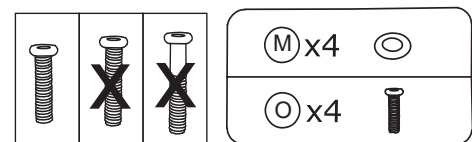


**Accessories:**

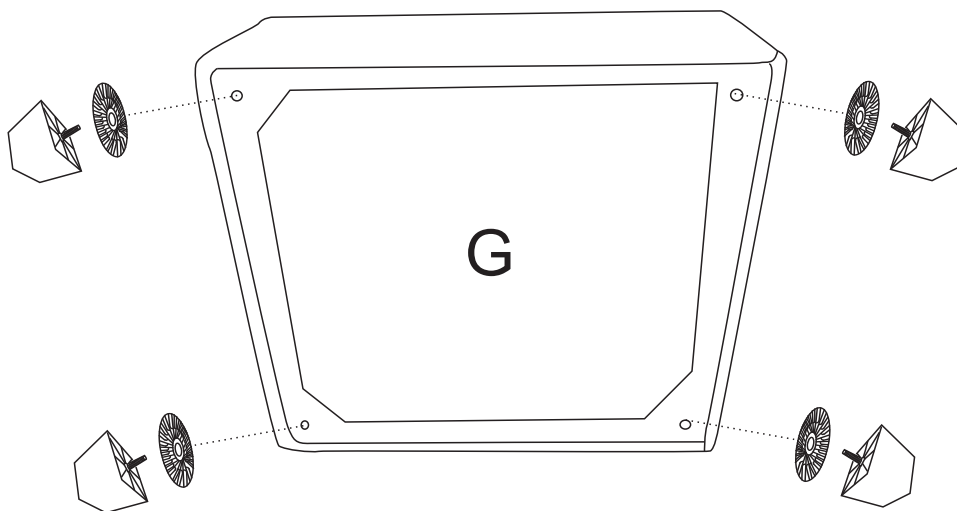
PartG \*1;PartH \*2;PartM \*4;PartO \*4;PartT

**Installation Steps :**

Using the hex wrench (T), secure part H to the part G using screws (M & O).



## Step 3



### Accessories:

Part L \*4; Part K \*4

### Installation Steps :

Insert the foot (Part K) into the hole of the washer (Part L), then attach it securely to Part G.

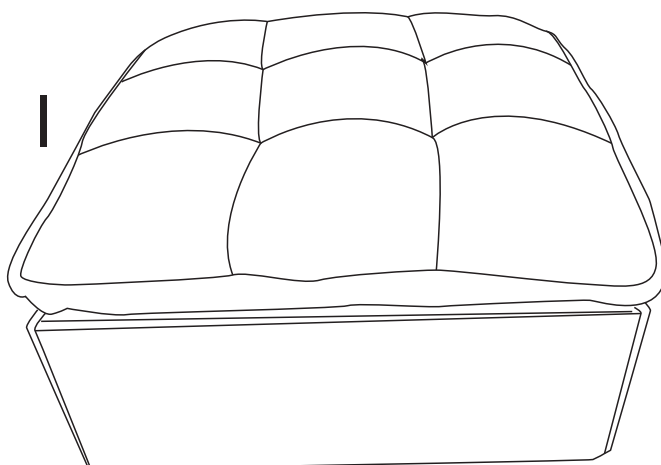
L x4



K x4



## Step 4



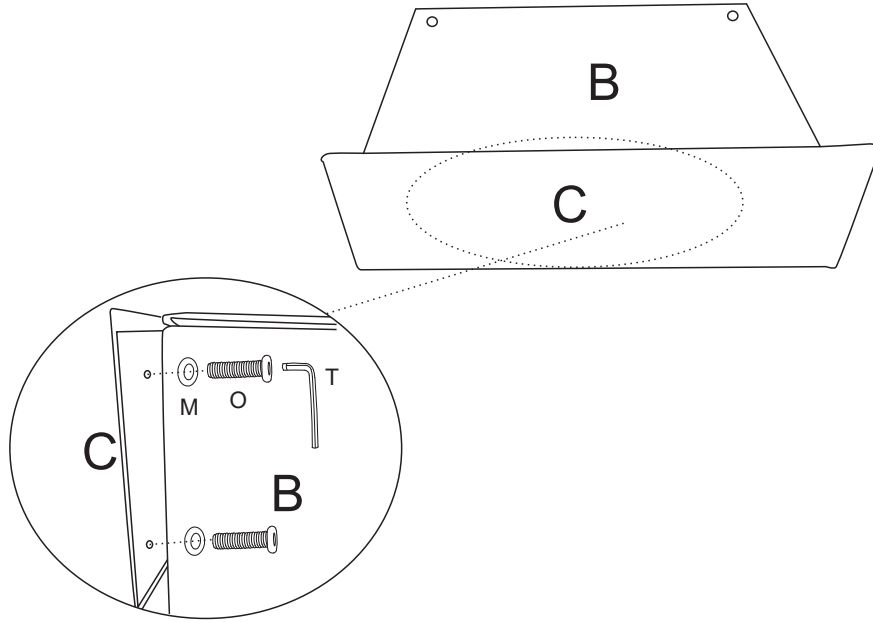
### Accessories:

Part I \*1

### Installation Steps :

Gently fluff cushion (I) and place it into the ottoman.  
That's it - your ottoman is now securely assembled!

## Step 5

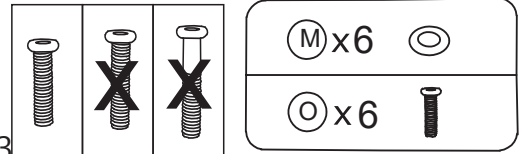


### Accessories:

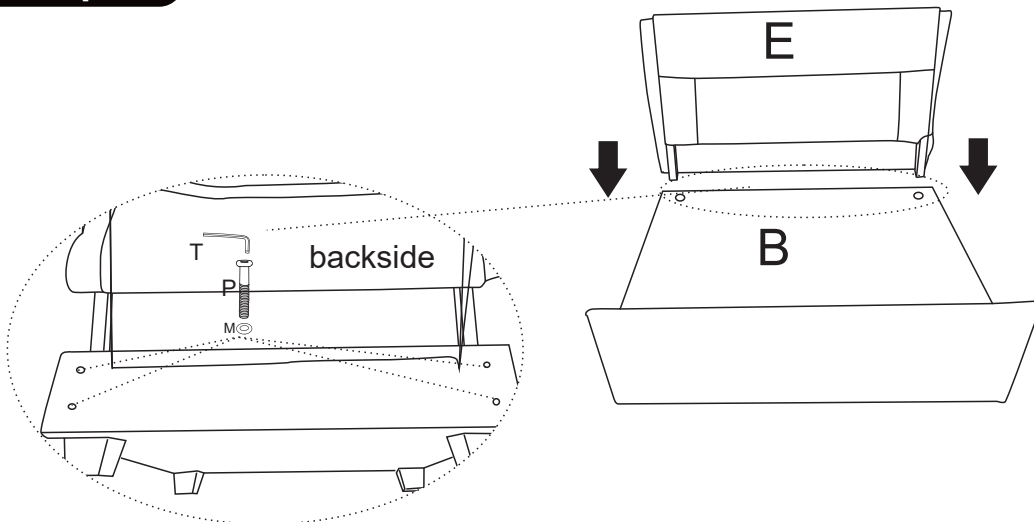
PartB \*3;PartC \*3;PartM \*6;PartO \*6

### Installation Steps :

Secure the seat front plate(PartC) to the seat frame (PartB) by using screws (M & O). Repeat the process 3 times until all 3 seats are assembled.



## Step 6



### Accessories:

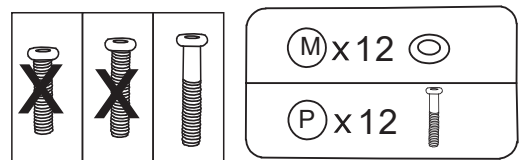
PartB \*3;PartE \*3;PartM \*12;PartP \*12

### Installation Steps :

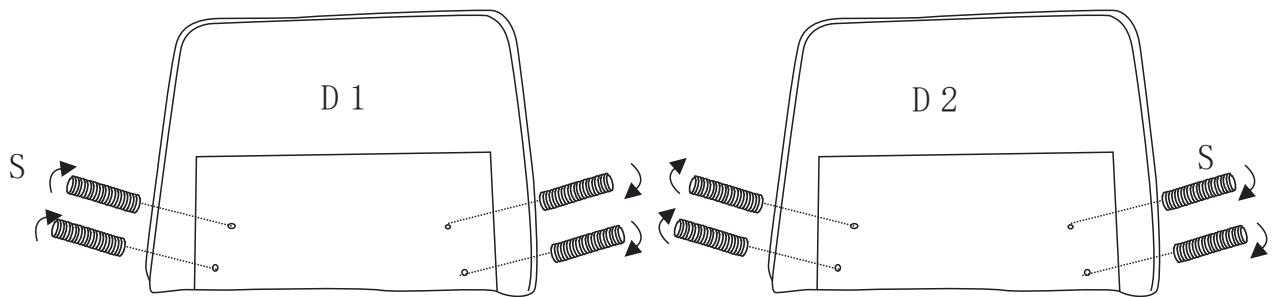
Attach the backrest (part E) to the seat frame (part B) using screws (M and P).

**NOTE:**Ensure the screws are properly aligned.

Repeat this process for all 3 backrests until they are securely assembled.



## Step 7



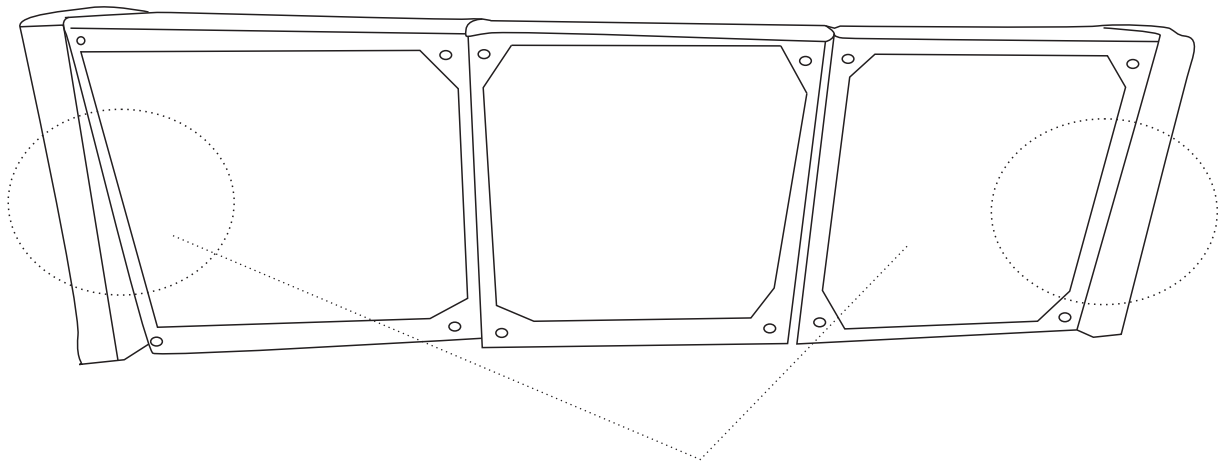
### Accessories:

PartD1 \*1;PartD2 \*1;PartS \*8

### Installation Steps :

Secure the screws (Part S) into the armrests (Part D1, Part D2) on both sides, then attach the armrests to the sofa base (Part B).

## Step 8

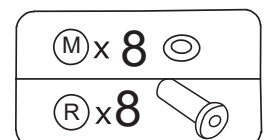
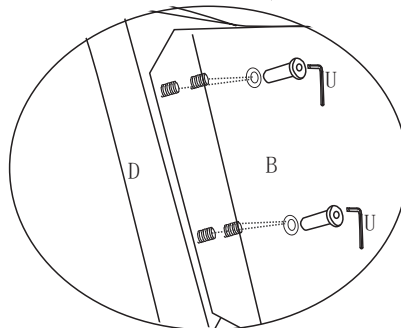


### Accessories:

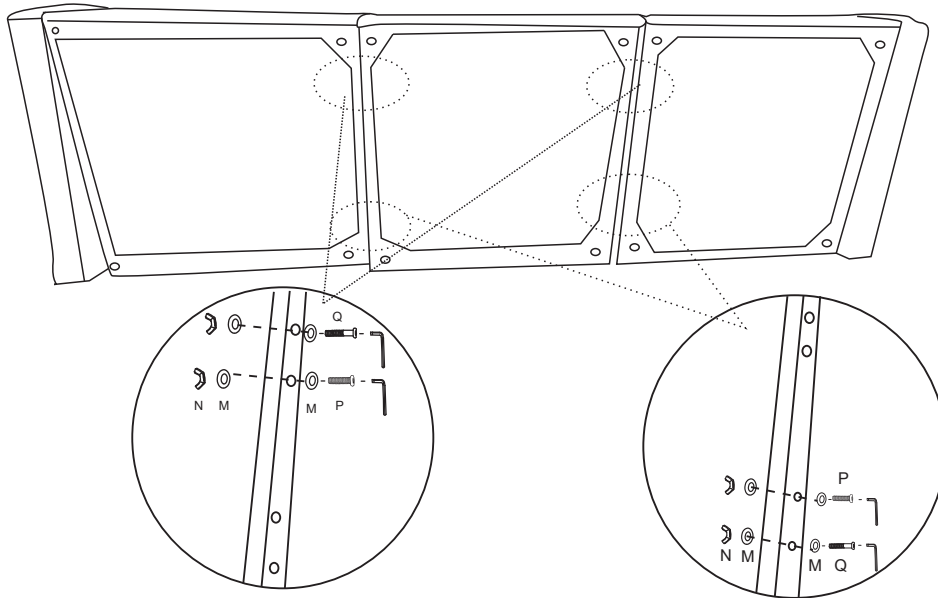
PartM \*8;PartR \*8;PartU \*1

### Installation Steps :

Use the hex wrench (Part U) to secure the base (Part B) and armrests (Parts D1 and D2) together with screws (M & R).



## Step 9

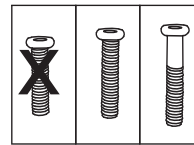


### Accessories:

Part Q \*4; Part P \*4; Part N \*8; Part M \*8

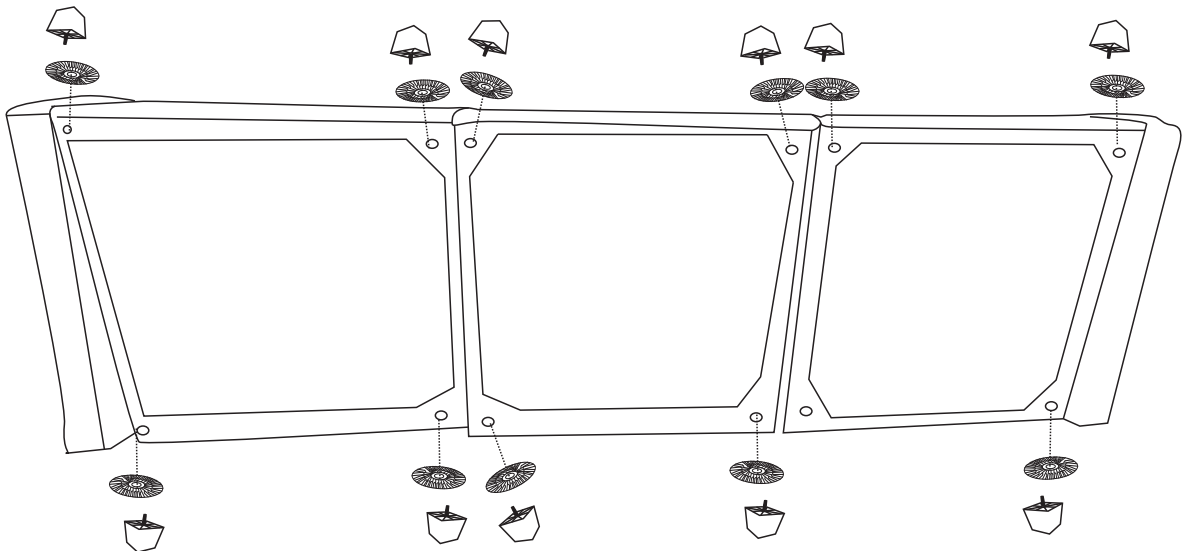
### Installation Steps :

Use screws (Part Q) for the top and screws (Part P) for the bottom to attach the base, as shown in the illustration.



(M) x 8	
(Q) x 4	
(P) x 4	
(N) x 8	

## Step 10



### Accessories:

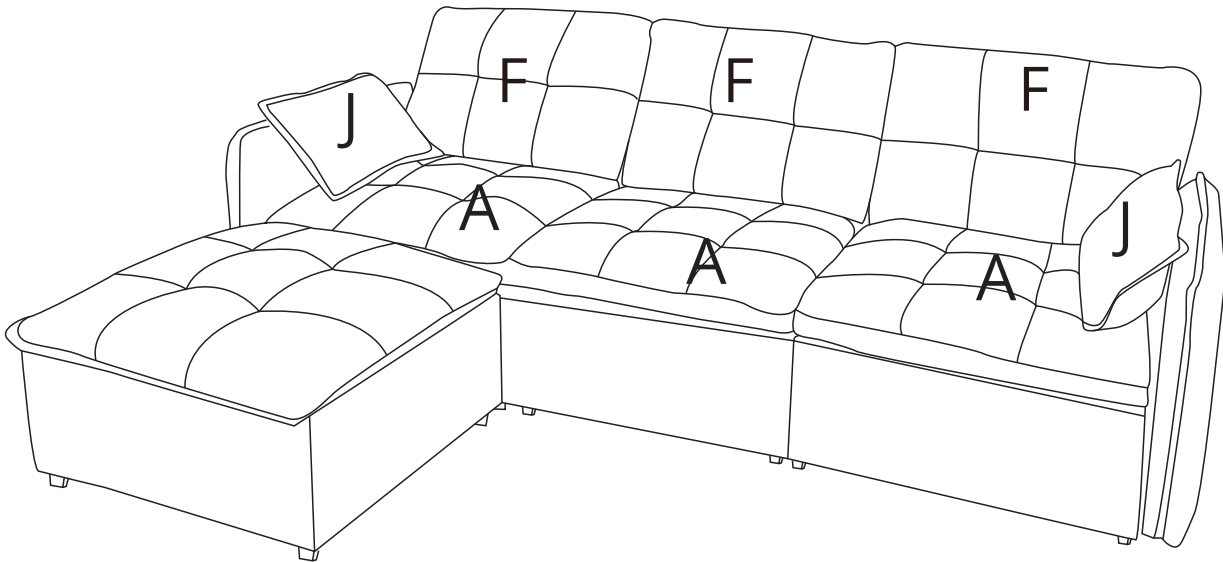
Part L \*12; Part K \*12

### Installation Steps :

Insert the foot (Part K) into the hole of the washer (Part L), then attach it securely to the sofa.

(L) x 12	
(K) x 12	

## Step 11



### Accessories:

Part A \*3; Part F \*3; Part J \*2

### Installation Steps :

Fluff the cushion (Part A), cushion (Part F), and small pillow (Part J) by gently patting them, then place them in their designated spots.

## Step 12

**Congrats!!**

**The sofa is all set up and ready for you!**

**Now, sit back, relax, and enjoy every moment of comfort!**

