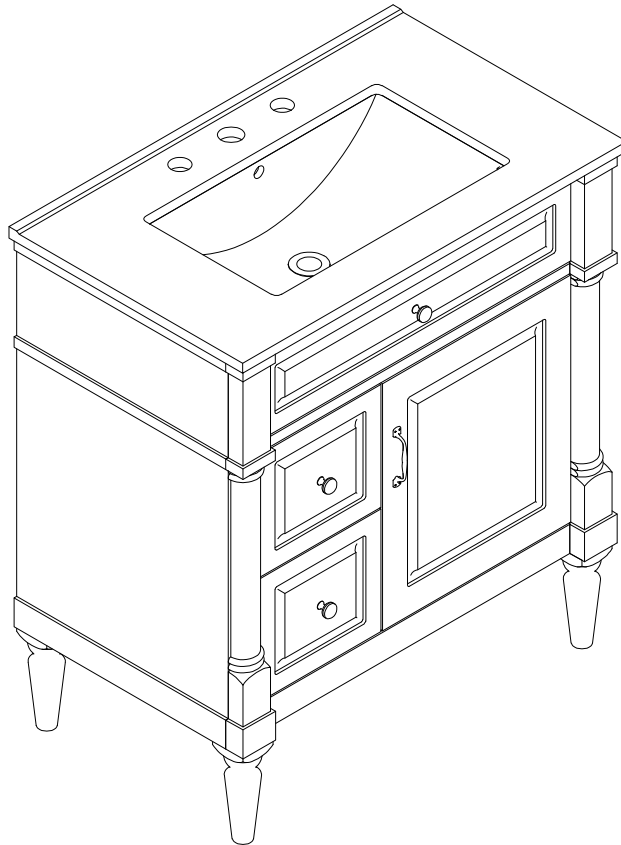


# ASSEMBLY INSTRUCTIONS

## BATH VANITY-CABINET

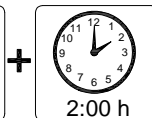
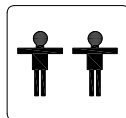
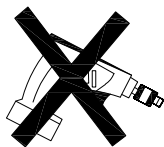


Thank you for purchasing this quality product. Be sure to check all packing material carefully for small parts which may have come loose inside the carton during shipment. Separate, identify and count all parts and hardware.

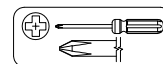
Compare with the parts list to be sure all parts are present.

**DO NOT TIGHTEN SCREWS UNTIL COMPLETELY ASSEMBLED**

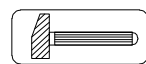
**\*Use of power tool to assemble this product will invalidate any claim and damage this product making unsafe!!!**  
**\* Please assemble on a clean soft surface to avoid damage.**



**Tools Required**



(Not included)

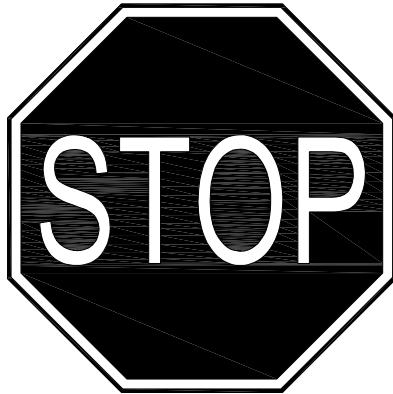


(Not included)

**IMPORTANT:**

**PLEASE READ INSTRUCTION BEFORE STARTING THE ASSEMBLY**

**PLEASE DO NOT RETURN TO STORE**



**Please do not return this product to the retailer!!  
We are able to assist you in ANY way**

If you find that you have any trouble with assembly or missing or damaged parts please contact the seller.

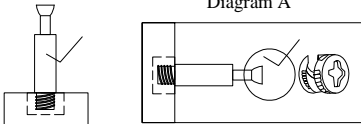
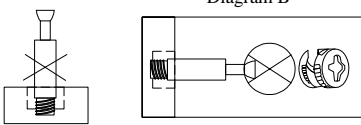
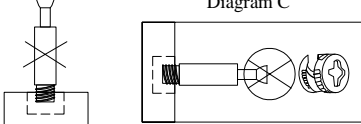
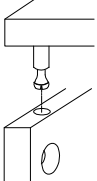
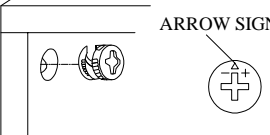
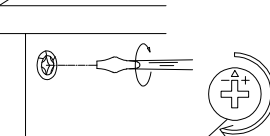
# Before Installation

Important - Please read these instructions fully before starting assembly

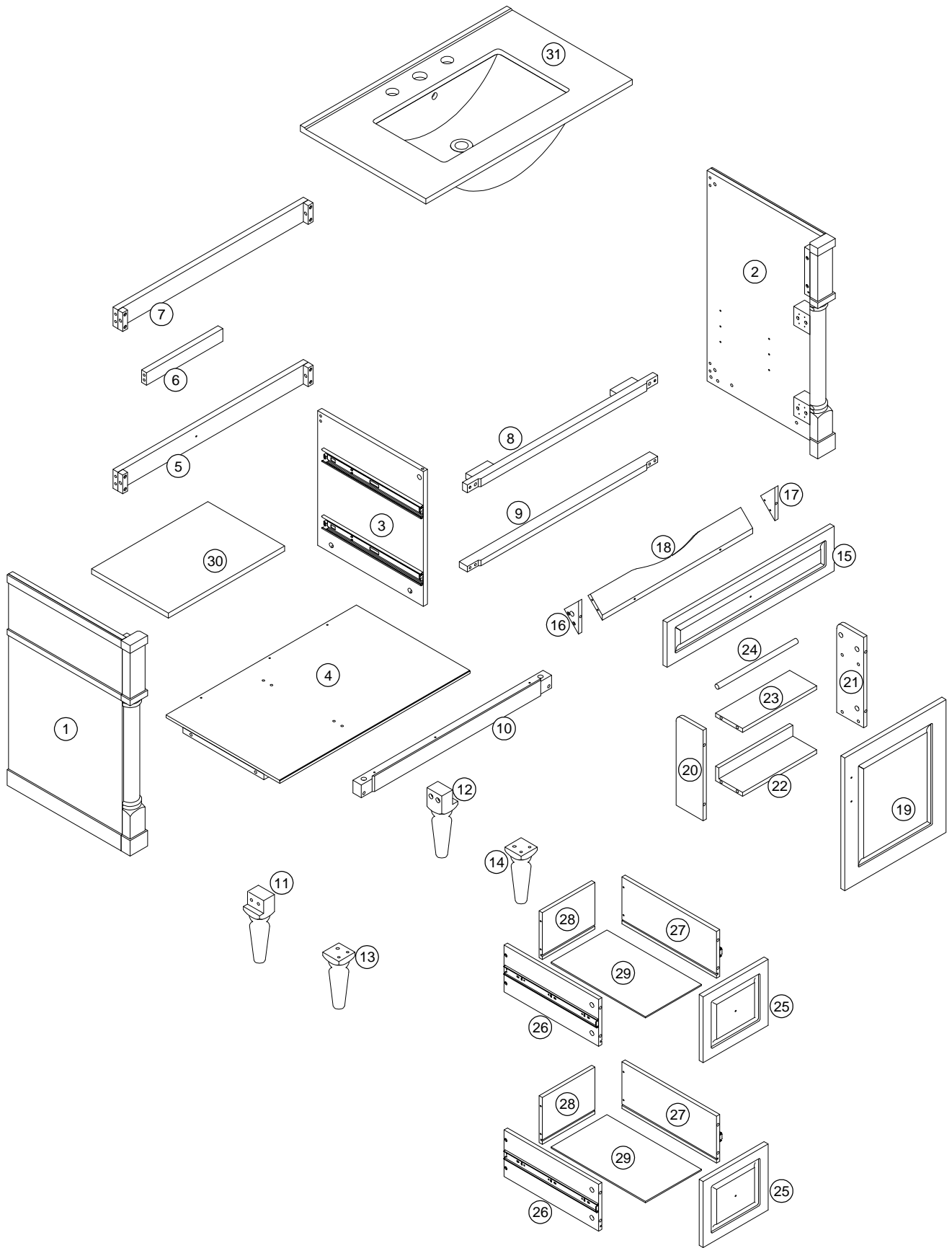
Thank you for purchasing this quality product. Be sure to check all packing materials carefully for small parts, which may have come loose inside the carton during shipment. Identify and count all items according to the PARTS LIST and/or HARDWARE LIST shown below. Check you have all the components and tools listed on the following pages.

- We recommend that you assemble this product with the assistance of another person; this will make the assembly easier, and will help eliminate damage to the product or injury to persons during assembly.
- Please do not over tighten screws or bolts until the assembly is completed.
- Keep children and animal away from the work area, small parts could choke if swallowed.
- Please put all parts on a non-abrasive floor before assembly, and follow the assembly steps to assemble your newly purchased product correctly and efficiently.

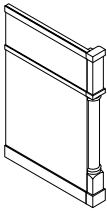
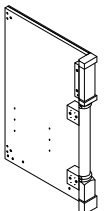
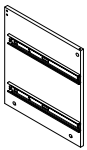
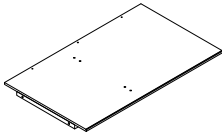
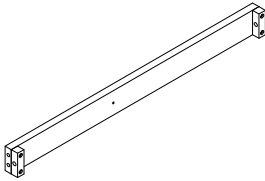
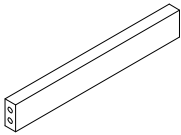
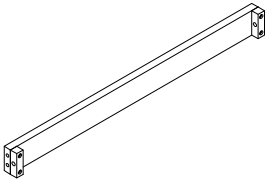
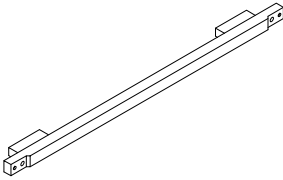
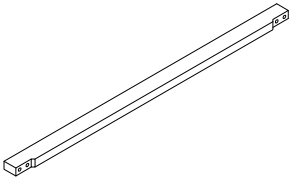
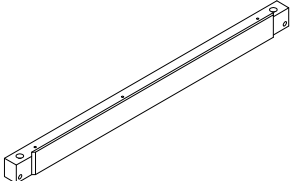
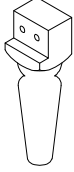
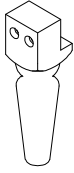


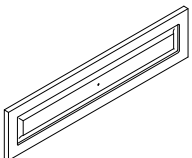
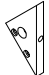
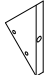
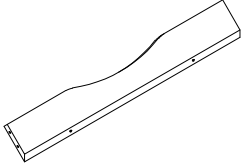
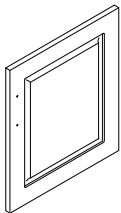

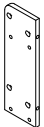
## Cam Lock Assembly Instructions

	<p>Diagram A</p> <p>Insert Cam Ball into hole as shown in diagram A.</p>
	<p>Diagram B</p> <p>Make sure not to insert the Cam Bolt: Too deep as shown in figure B as this will cause the cam Lock to be misaligned and unable to interlock properly.</p>
	<p>Diagram C</p> <p>Also avoid inserting the Cam Bolt too close to the surface of the hole as shown in figure C, as this will cause the Cam Lock to be too loose, and not interlock properly.</p>
	<p>Connect the panels together.</p>
	<p>ARROW SIGN</p> <p>Insert the Cam Lock so the side opening fits over the head of the Cam Bolt.</p>
	<p>To tighten the Cam Lock, turn it clockwise on half a turn with a flat screwdriver. <i>*Do not use an automatic screwdriver as it may bend or break if too much power is imposed.</i></p>

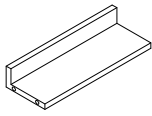
# Detail View



**Identifying the Hardware-Identify the hardware using the illustrations below.**

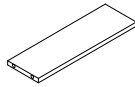
<p><b>1</b></p>  <p>Side Frame (L) - 1pc</p>	<p><b>2</b></p>  <p>Side Frame (R) - 1pc</p>	<p><b>3</b></p>  <p>Vertical Panel - 1pc</p>
<p><b>4</b></p>  <p>Bottom Panel - 1pc</p>	<p><b>5</b></p>  <p>Bottom Rear Crossbar - 1pc</p>	<p><b>6</b></p>  <p>Middle Rear Crossbar - 1pc</p>
<p><b>7</b></p>  <p>Top Rear Crossbar - 1pc</p>	<p><b>8</b></p>  <p>Top Front Crossbar - 1pc</p>	<p><b>9</b></p>  <p>Middle Front Crossbar - 1pc</p>
<p><b>10</b></p>  <p>Bottom Front Crossbar - 1pc</p>	<p><b>11</b></p>  <p>Back Left Leg - 1pc</p>	<p><b>12</b></p>  <p>Back Right Leg - 1pc</p>
<p><b>13</b></p>  <p>Font Left Leg - 1pc</p>	<p><b>14</b></p>  <p>Font Right Leg - 1pc</p>	<p><b>15</b></p>  <p>Drawer Side Panel (R) - 1pc</p>
<p><b>16</b></p>  <p>Drawer Side Panel (L) - 1pc</p>	<p><b>17</b></p>  <p>Drawer Side Panel (R) - 1pc</p>	<p><b>18</b></p>  <p>Drawer Back Panel - 1pc</p>
<p><b>19</b></p>  <p>Drawer Back Panel - 1pc</p>	<p><b>20</b></p>  <p>Door Side Panel (L) - 1pc</p>	<p><b>21</b></p>  <p>Door Side Panel (R) - 1pc</p>

22



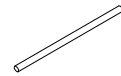
Door Bottom Panel - 1pc

23



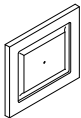
Door Mid Panel - 1pc

24



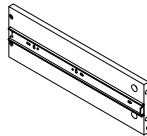
Round Bar - 1pc

25



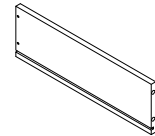
Drawer Face - 2pcs

26



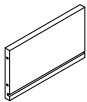
Drawer Side Panel (L) - 2pcs

27



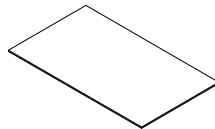
Drawer Side Panel (R) - 2pcs

28



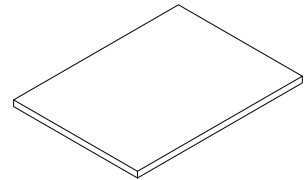
Drawer Back Panel - 2pcs

29



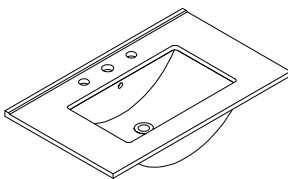
Drawer Bottom Panel - 2pcs

30







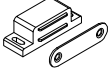


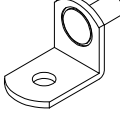



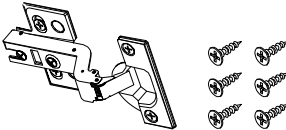

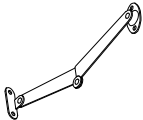
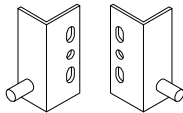
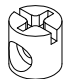

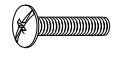
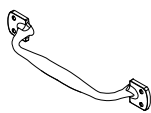


Adjustable Shelf - 1pc

31

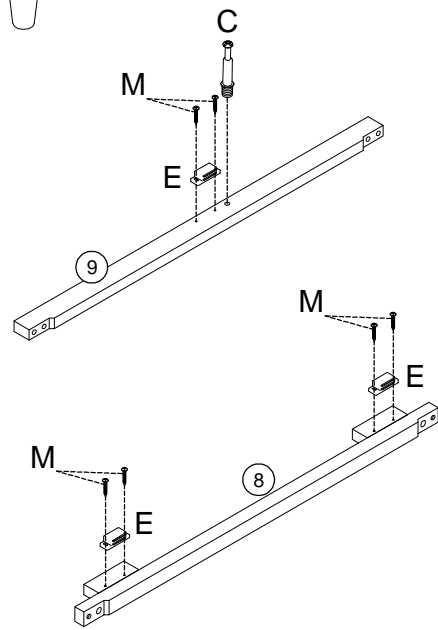
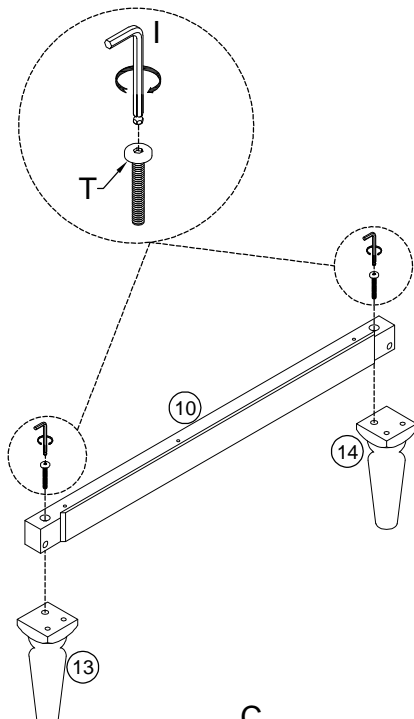
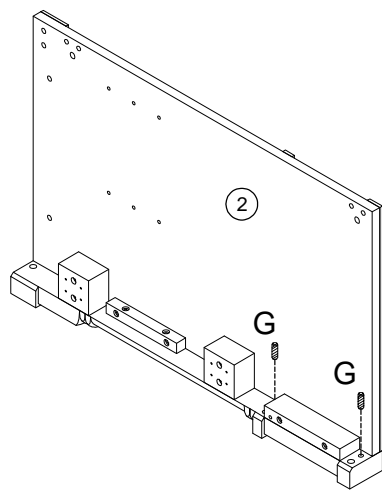
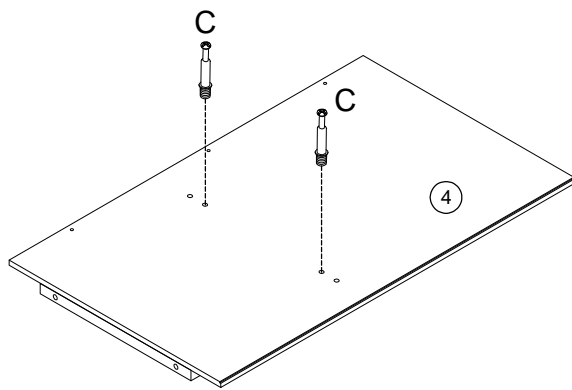
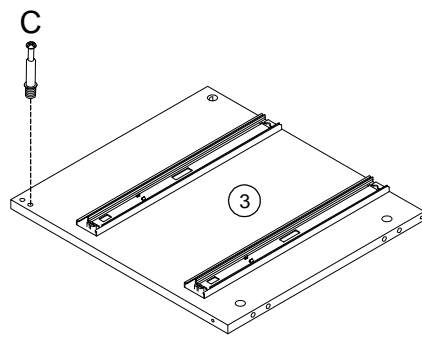
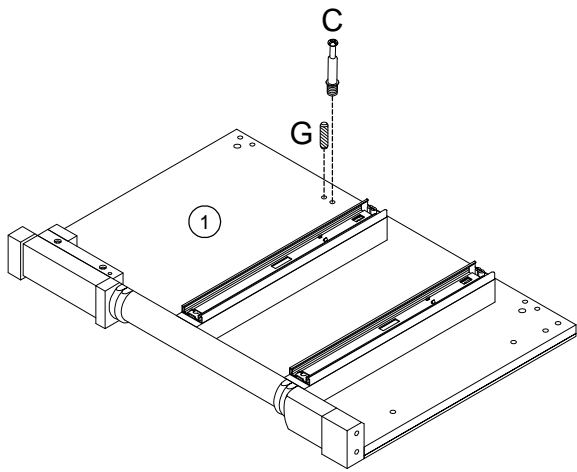


Sink - 1pc

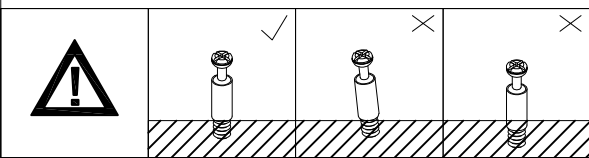
# Hardware Lists

<b>A</b>  M6x30mm Hex-Head bolt (18pcs)+1pc	<b>B</b>  Ø1/4 "x13x1mm Washer (8pcs)+1pc	<b>C</b>  Ø6*32mm Three in on bolts (27pcs)+1pc
<b>D</b>  Ø14.5*9.5mm Three in one locks (27pcs)+1pc	<b>E</b>  45*12*1mm 45*17*14mm Plastic Door Magnet (3 set)	<b>F</b>  Ø3.5x12mm Flat head screw (18pcs)+1Pc
<b>G</b>  Ø8x30mm Wood dowel (20pcs)+1pc	<b>H</b>  Pin shelf (4pcs)+1Pc	<b>I</b>  K4mm Allen key (2pcs)
<b>J</b>  Ø3.5x25mm Round head screw (8pcs)+1pc	<b>K</b>  Handle (3pcs)	<b>L</b>  Damping hinge (2 sets)
<b>M</b>  Ø3.5x15mm Round head screw (8pcs)+1pc	<b>N</b>  Left elbow hinge (1pc)	<b>O</b>  Rotary Hinge(1set)
<b>P</b>  Ø10x10mm Plastic Canopy (12pcs)+1pc	<b>Q</b>  M4x40mm Round head screw (12psc)+1pc	<b>R</b>  M4x22mm Handle screw (5pcs)+1pc
<b>S</b>  Handle (1pc)	<b>T</b>  M6x50mm Hex-Head bolt (2pcs)+1pc	<b>U</b>  Anti fall Hardware (2 sets)

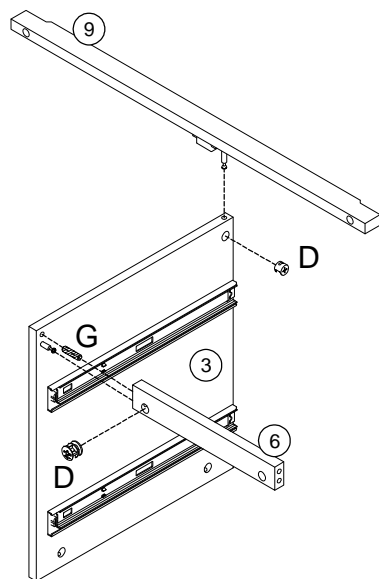
# STEP:1



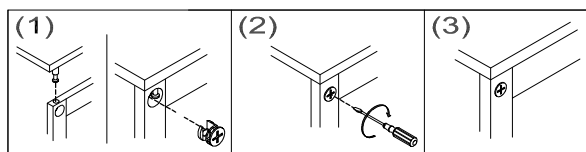
<b>T</b>		2pcs
<b>C</b>		5pcs
<b>E</b>		3pcs
<b>M</b>		6pcs
<b>G</b>		3pcs



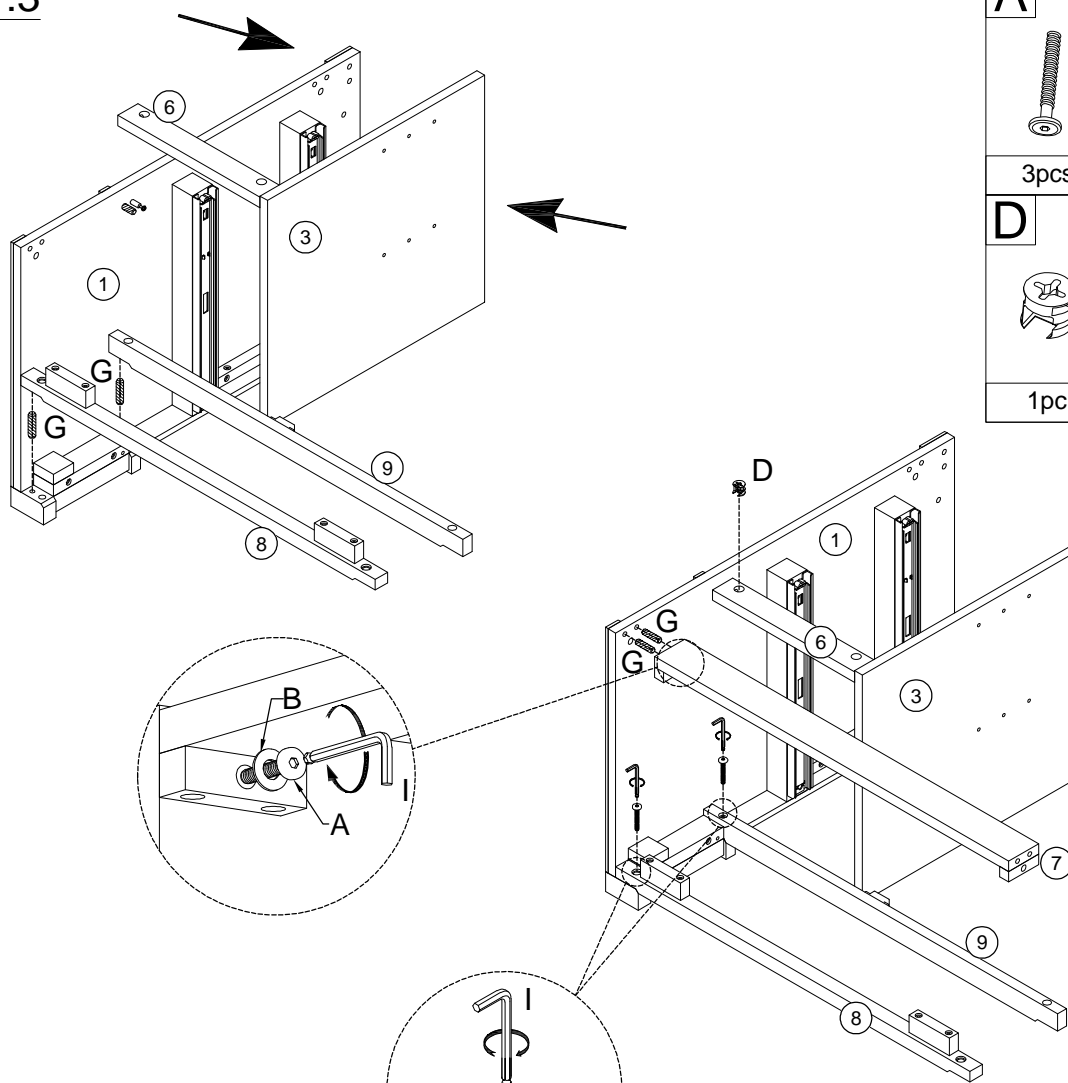
## STEP:2



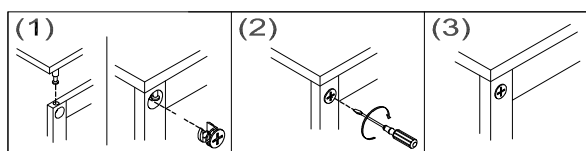
<b>D</b>	
	2pcs
<b>G</b>	
	1pc



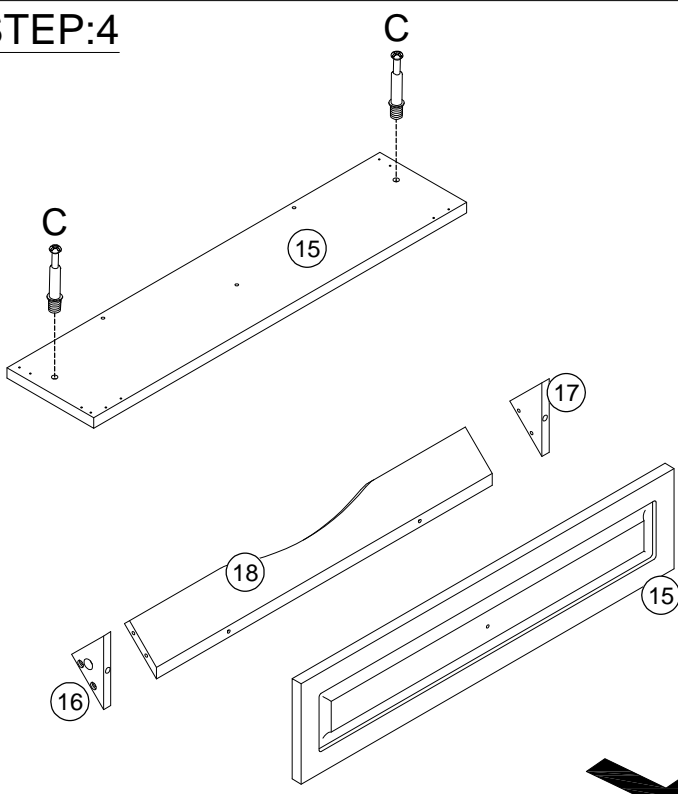
## STEP:3



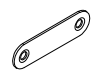


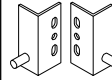






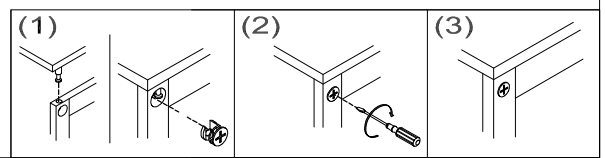
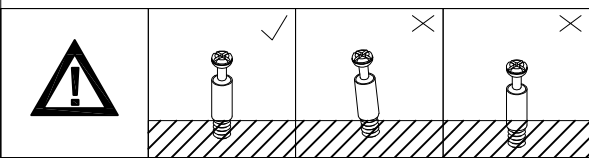
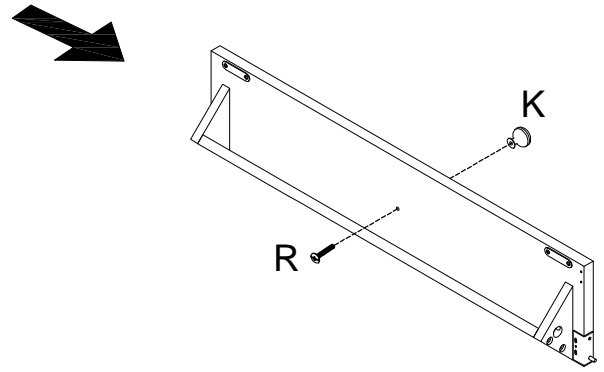
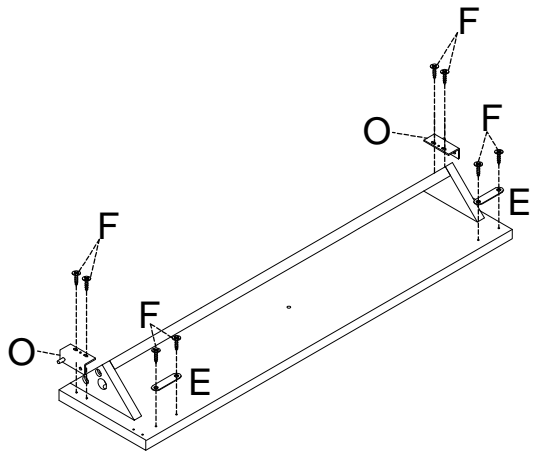
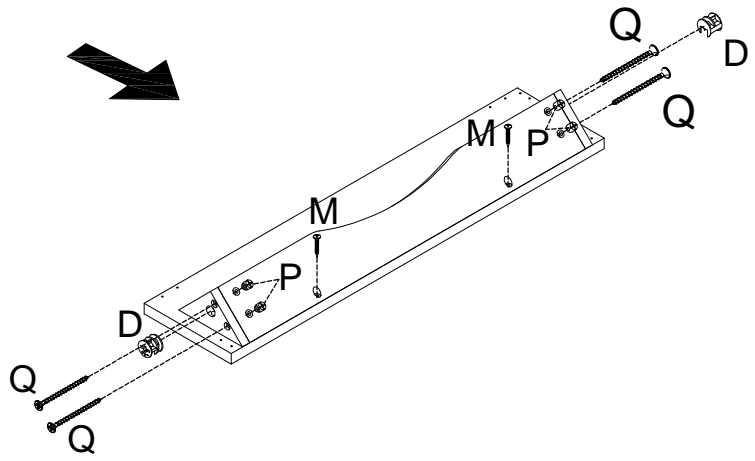
<b>A</b>	<b>B</b>
3pcs	1pc
<b>D</b>	<b>G</b>
1pc	4pcs







# STEP:4

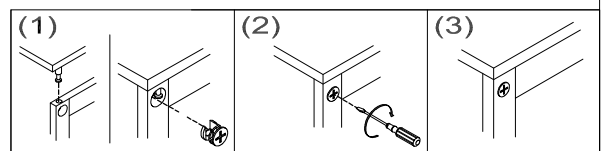
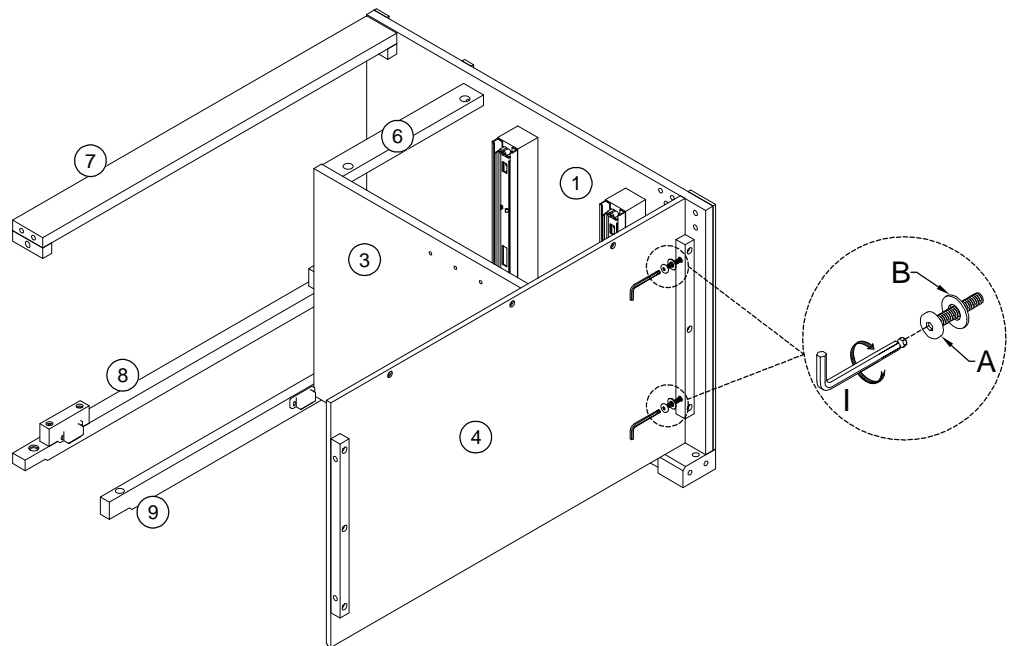
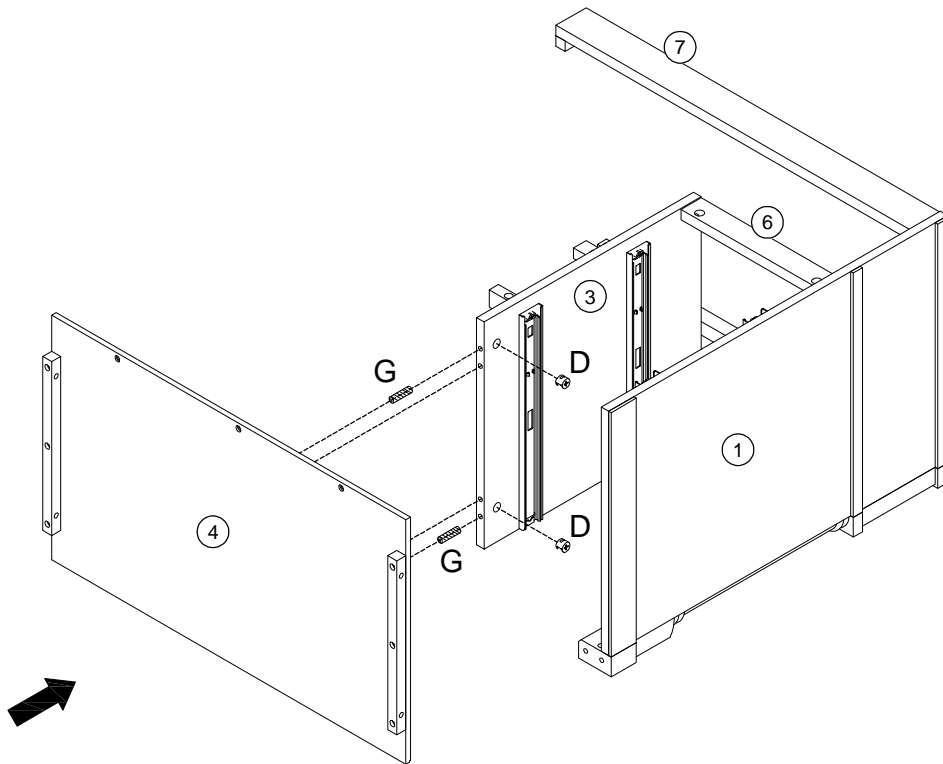


<b>C</b> 	<b>D</b> 	<b>E</b> 	<b>F</b> 
2pcs	2pcs	2pc	8pcs
<b>K</b> 	<b>O</b> 	<b>R</b> 	<b>P</b> 
1pc	1set	1pc	4pcs
	<b>Q</b> 	<b>M</b> 	
	4pcs	2pcs	

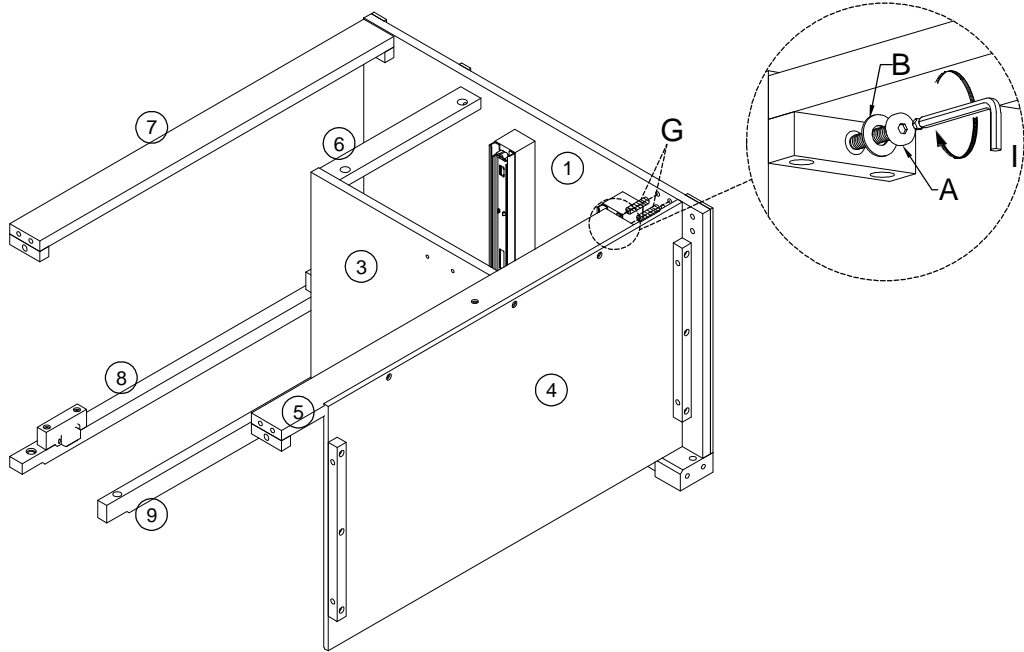






# STEP:5

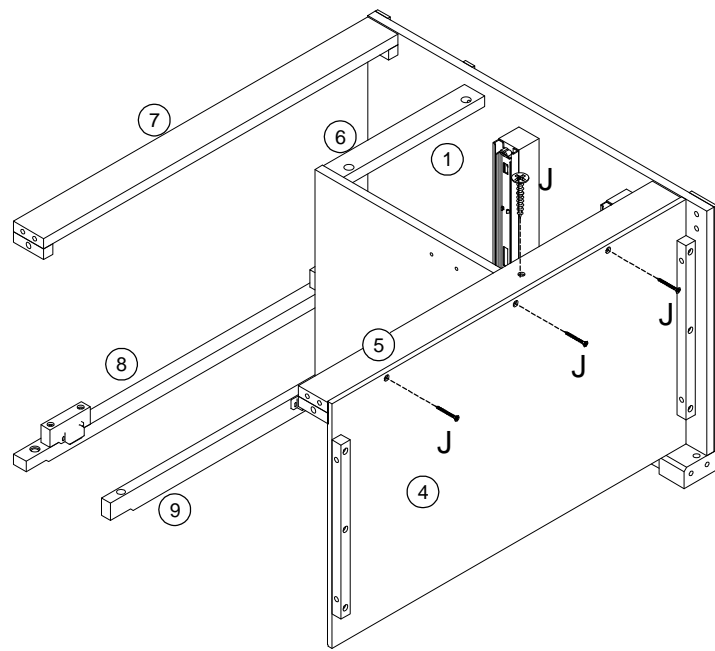
<b>A</b>  2pcs	<b>B</b>  2pcs
<b>D</b>  2pcs	<b>G</b>  2pcs



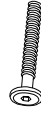


# STEP:6

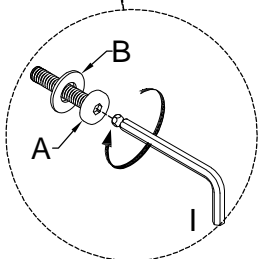
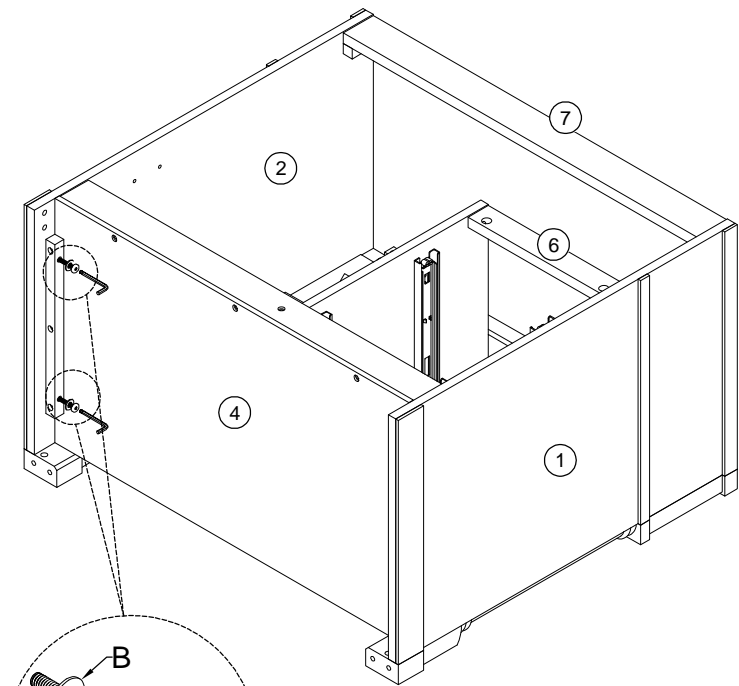
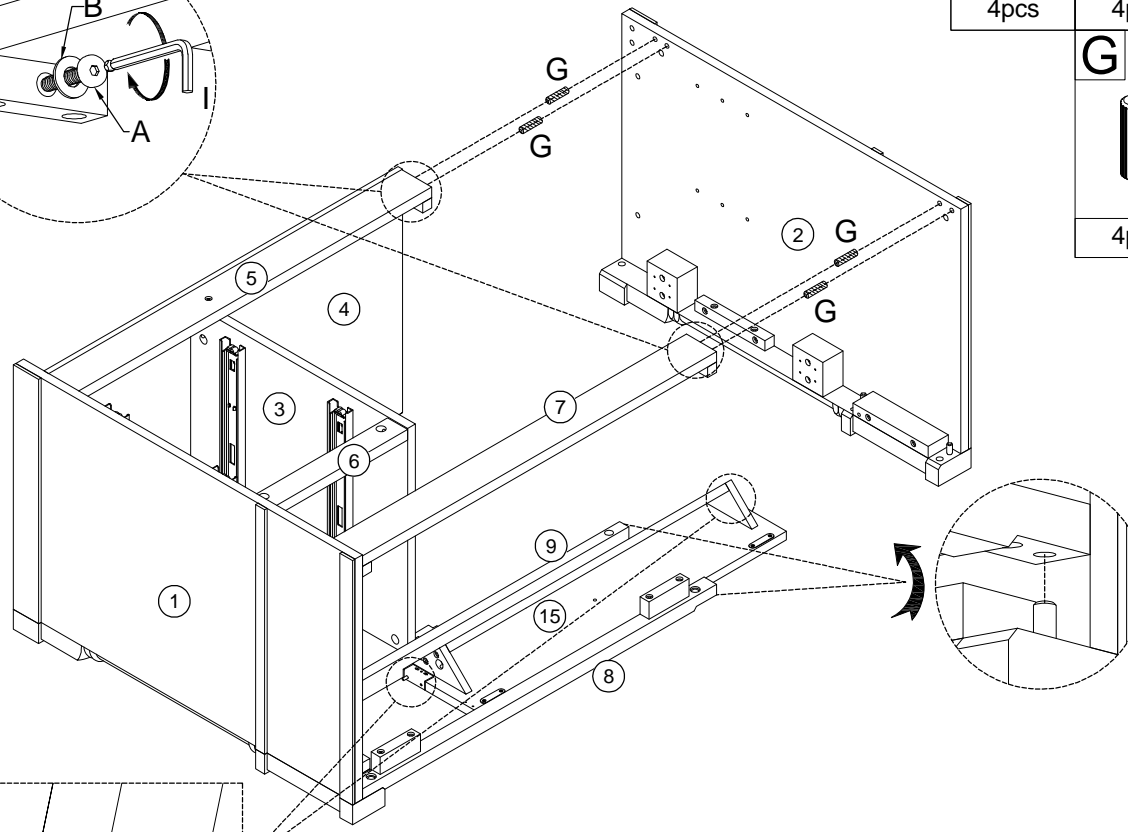
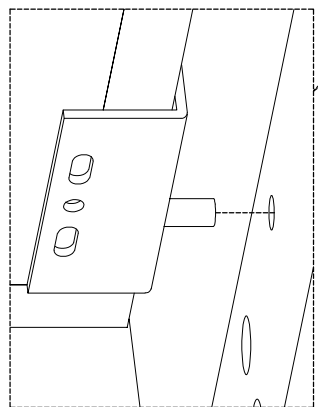
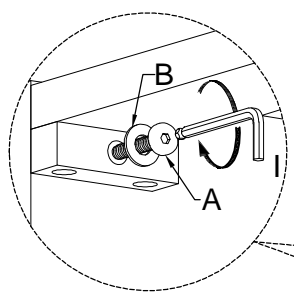


<b>A</b>	<b>B</b>
	
1pc	1pc
<b>G</b>	<b>J</b>
	
2pcs	4pcs

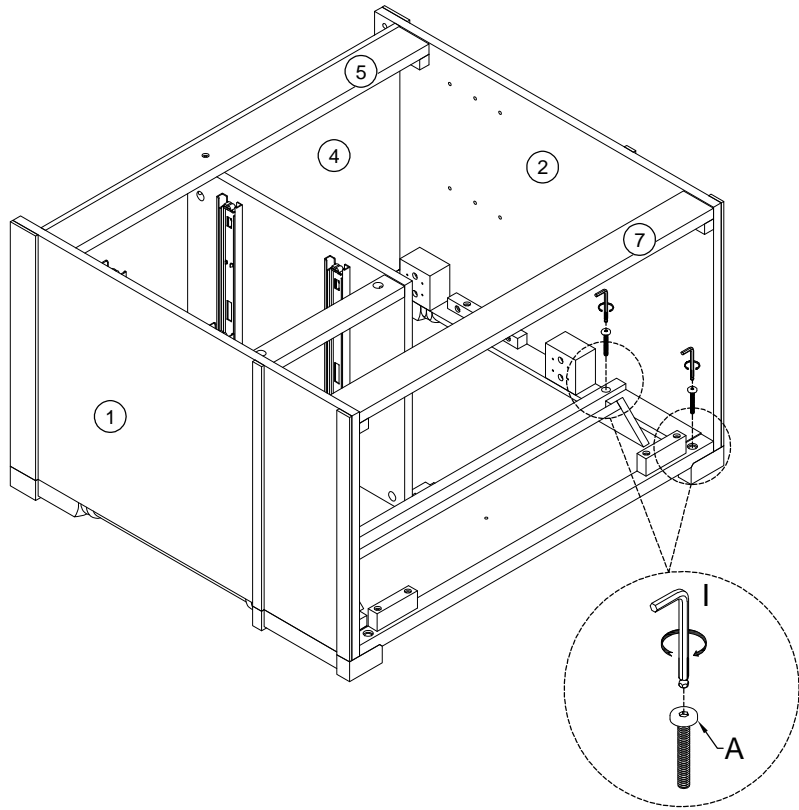


# STEP:7

<b>A</b> 	<b>B</b> 
4pcs	4pcs
<b>G</b> 	
4pcs	



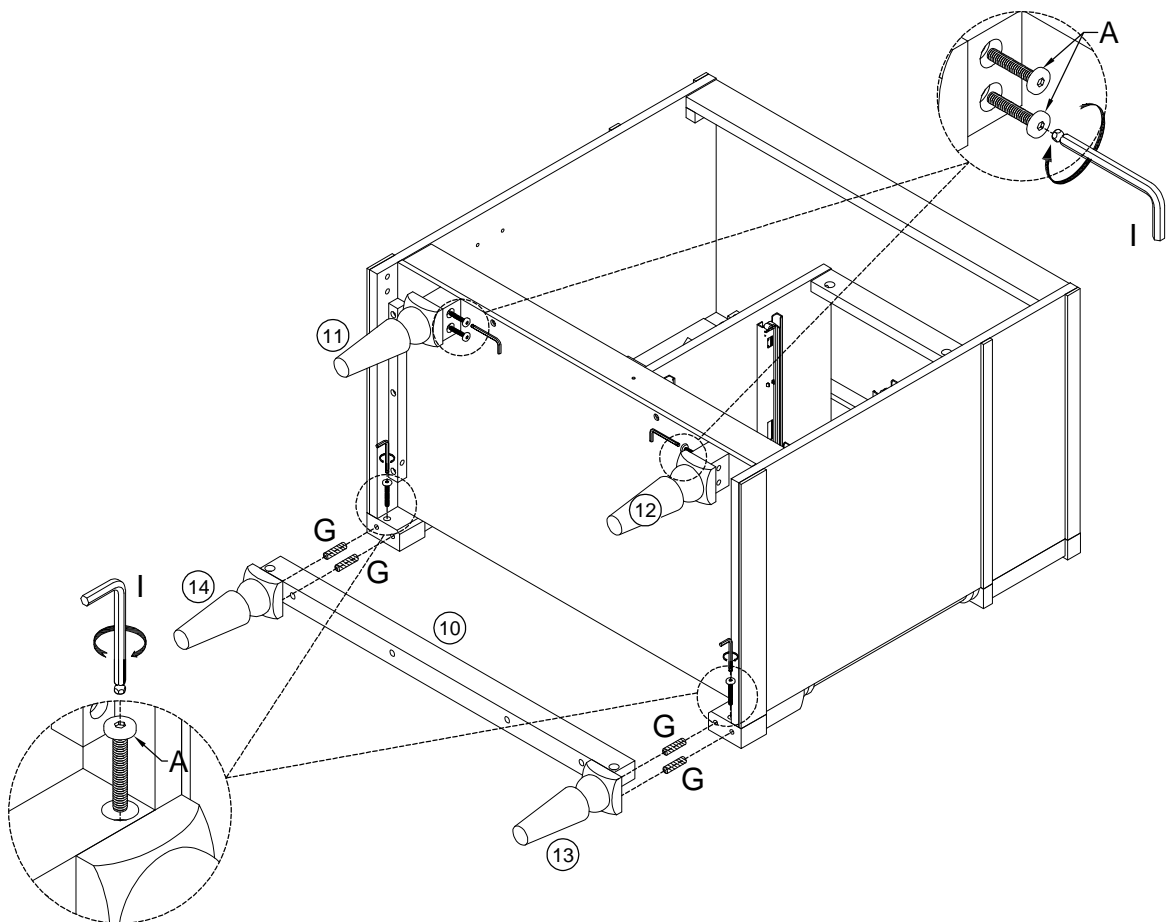
**STEP:8**





<b>A</b>

2pcs

**STEP:9**



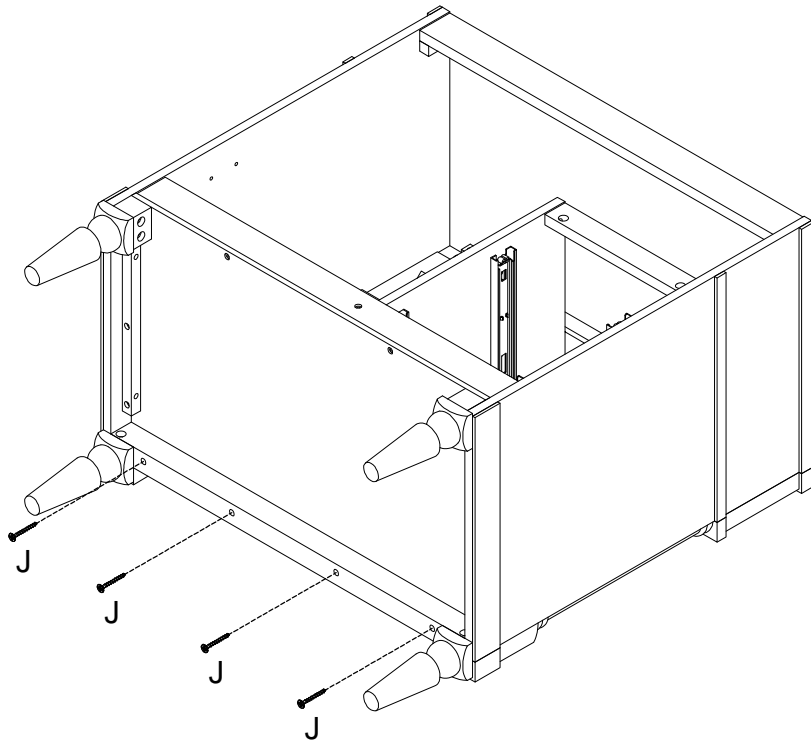
<b>A</b>

6pcs
<b>G</b>

4pcs

**STEP:10**

**J**



4pcs



**STEP:11**

**F**

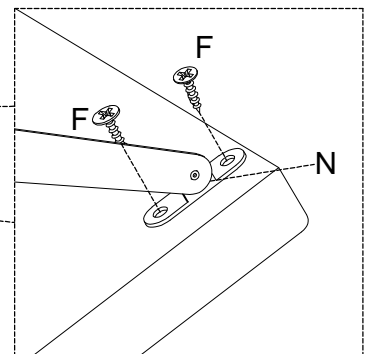
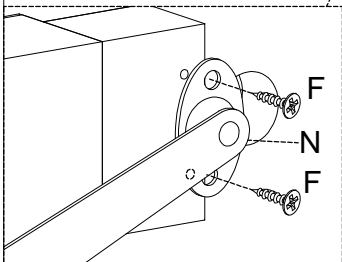
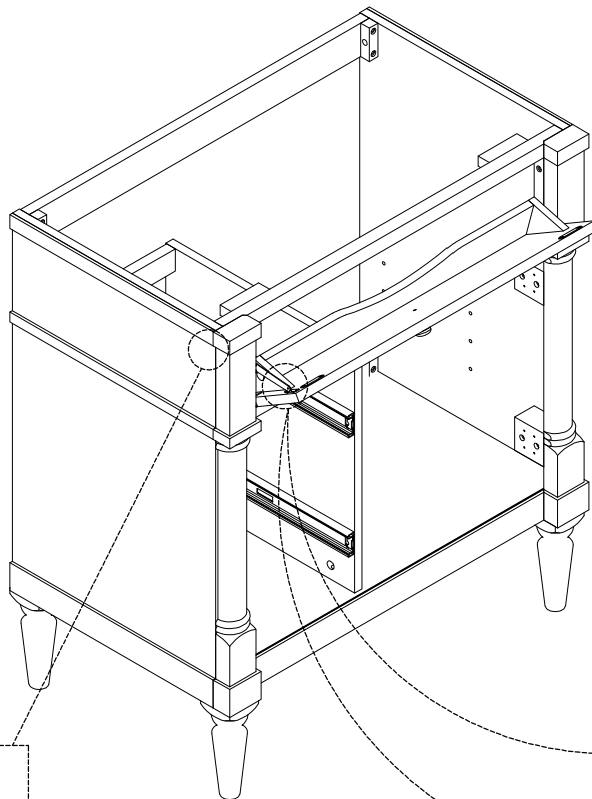


4pcs

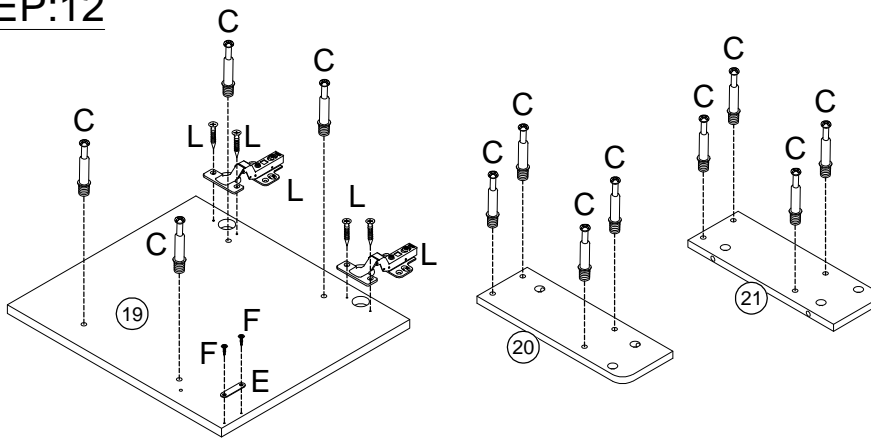
**N**




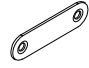




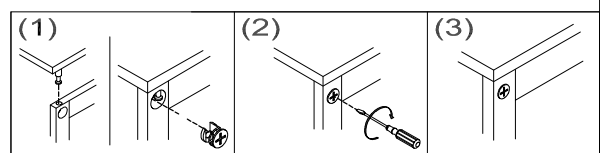
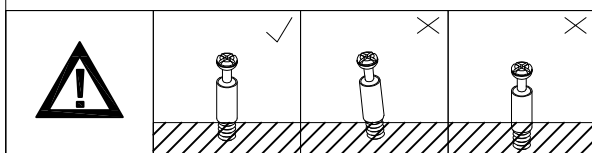
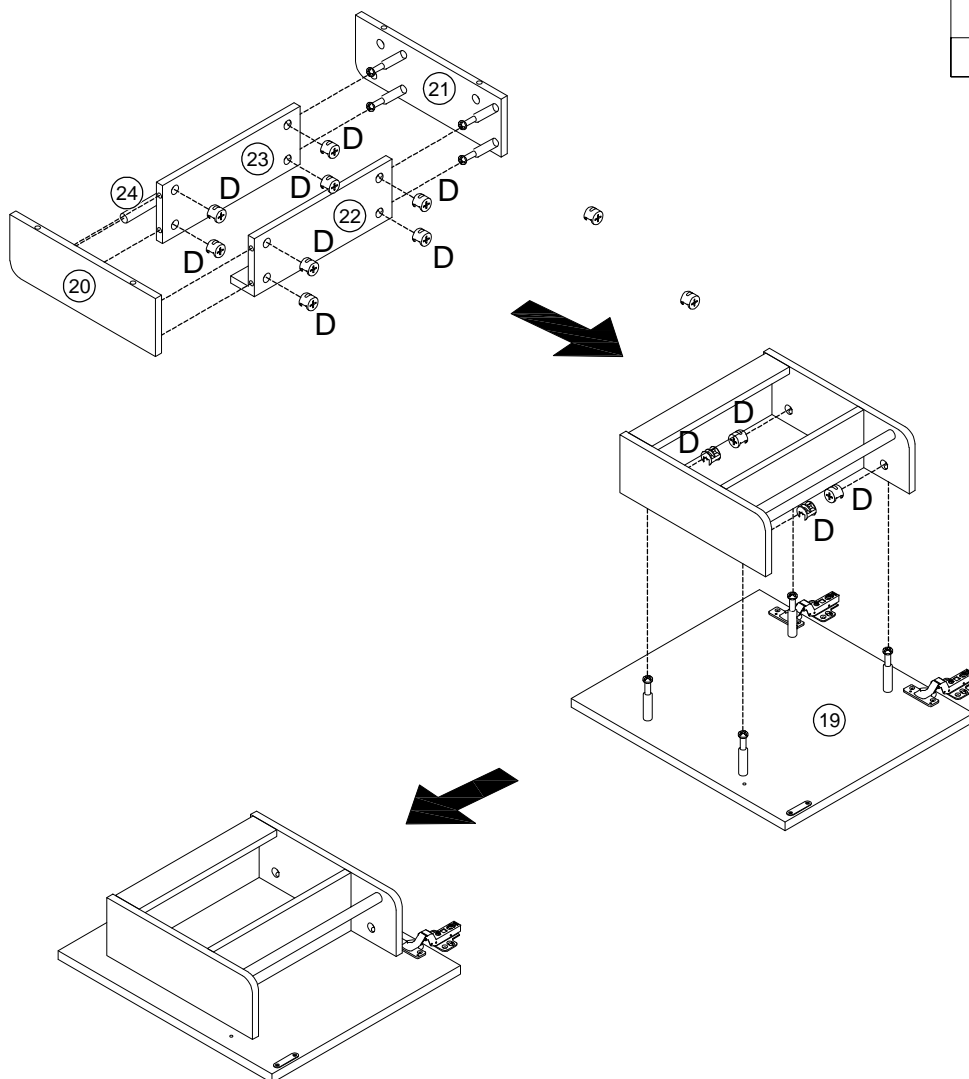
1pc



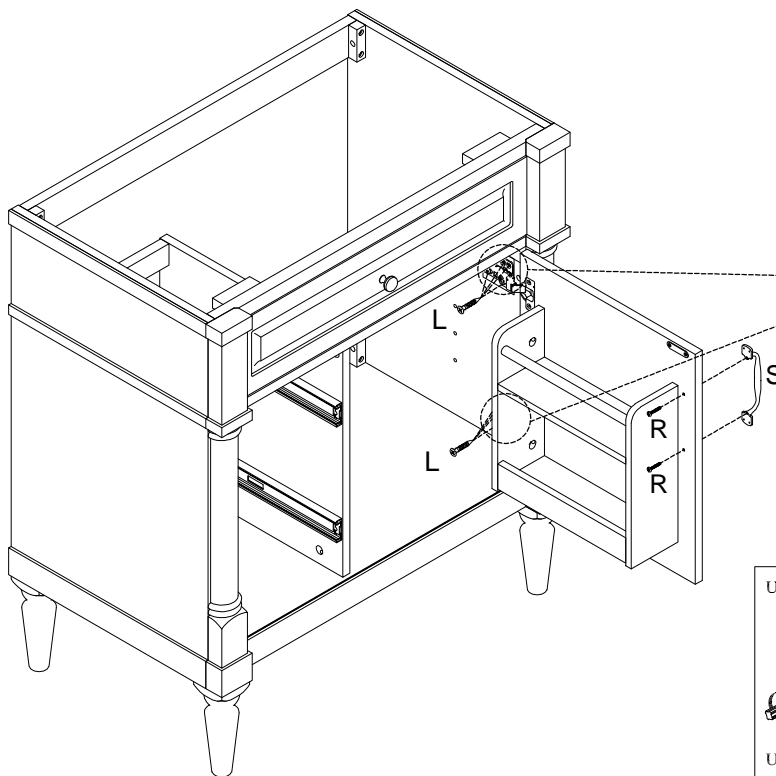
# STEP:12


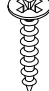



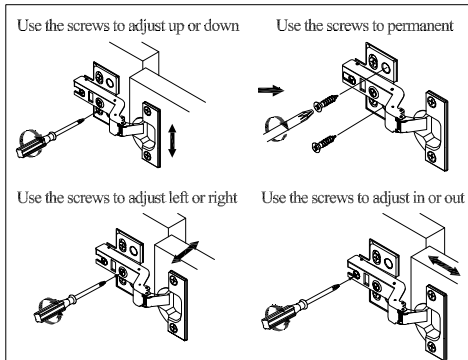
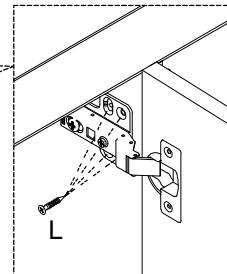
<b>C</b> 	<b>D</b> 
12pcs	12pcs
<b>F</b> 	<b>E</b> 
2pcs	1pc
<b>L</b> 	<b>L</b> 
2pcs	4pcs



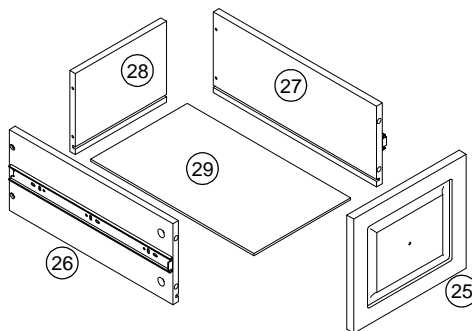
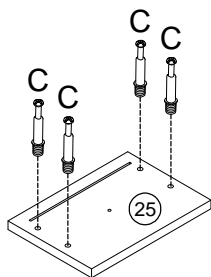
# STEP:13

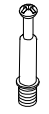



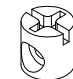



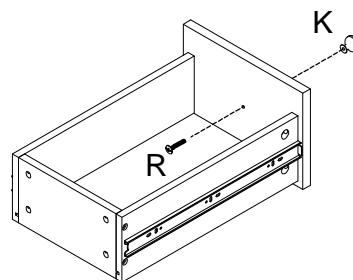
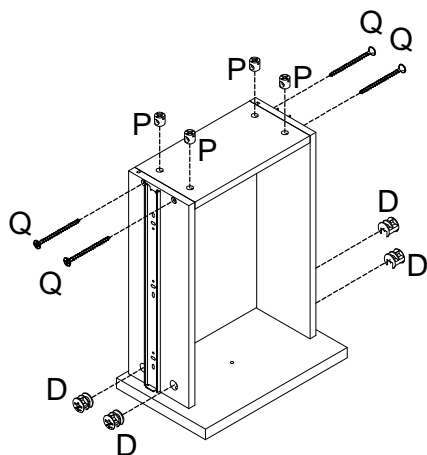
<b>R</b>	<b>L</b>	<b>S</b>
		
2pcs	8pcs	1pc



# STEP:14

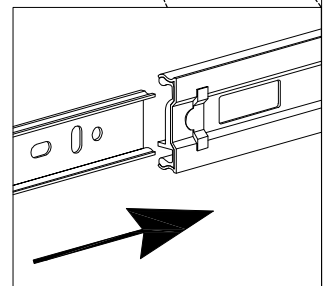
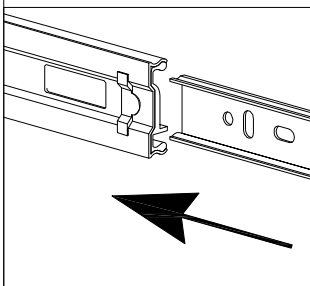
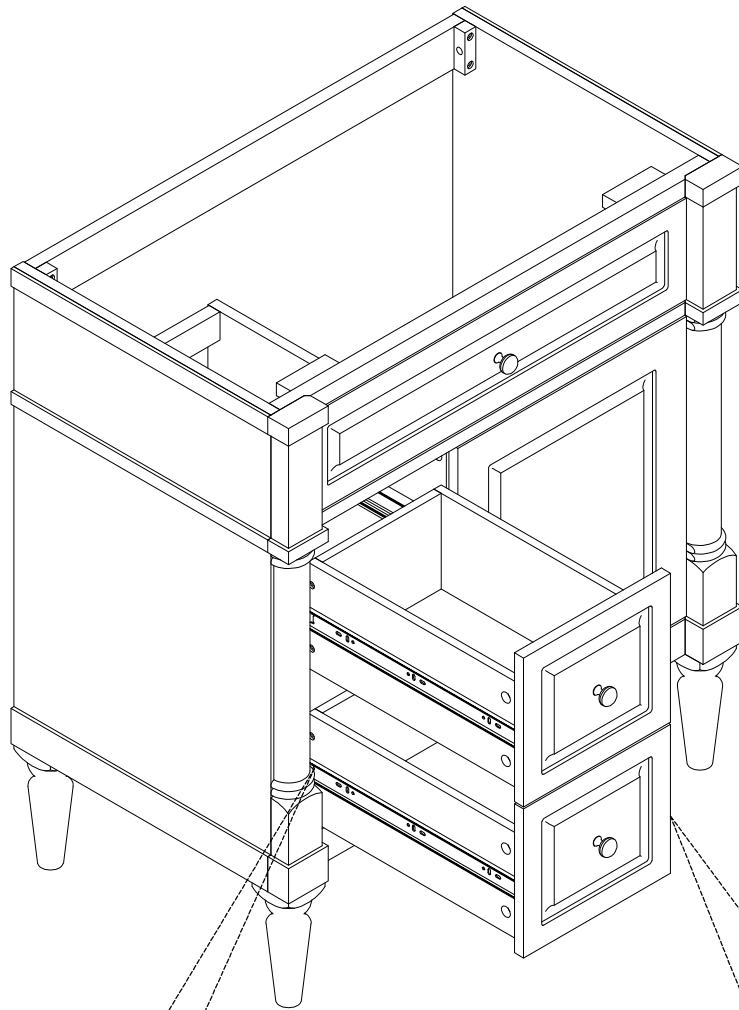


<b>C</b>	<b>D</b>	<b>R</b>
		
8pcs	8pcs	2pcs
<b>K</b>	<b>P</b>	<b>Q</b>
		
2pcs	8pcs	8pcs


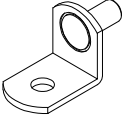


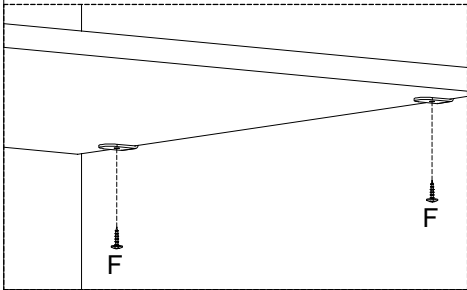
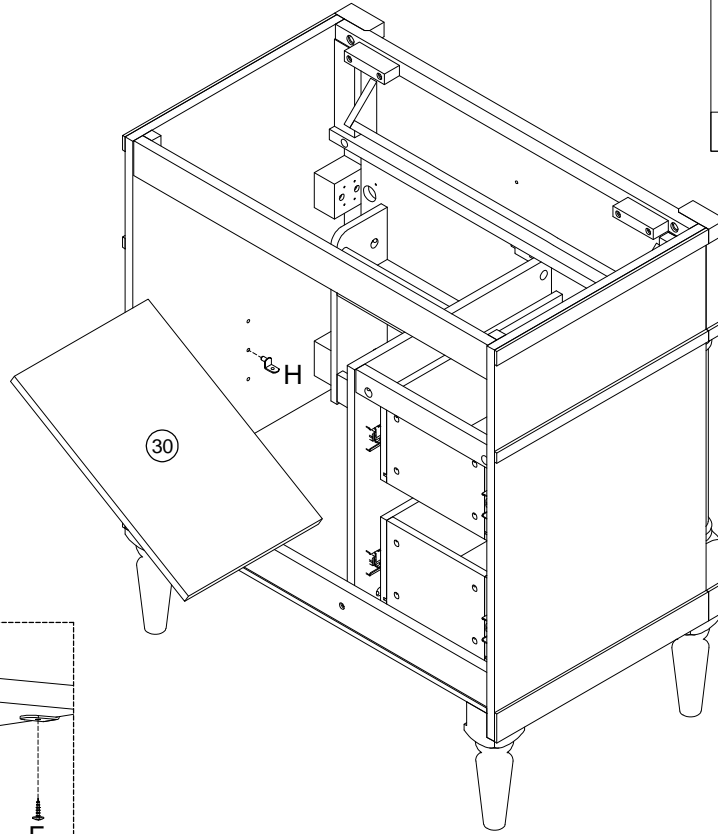
# X2

**STEP:15**




**STEP:16**

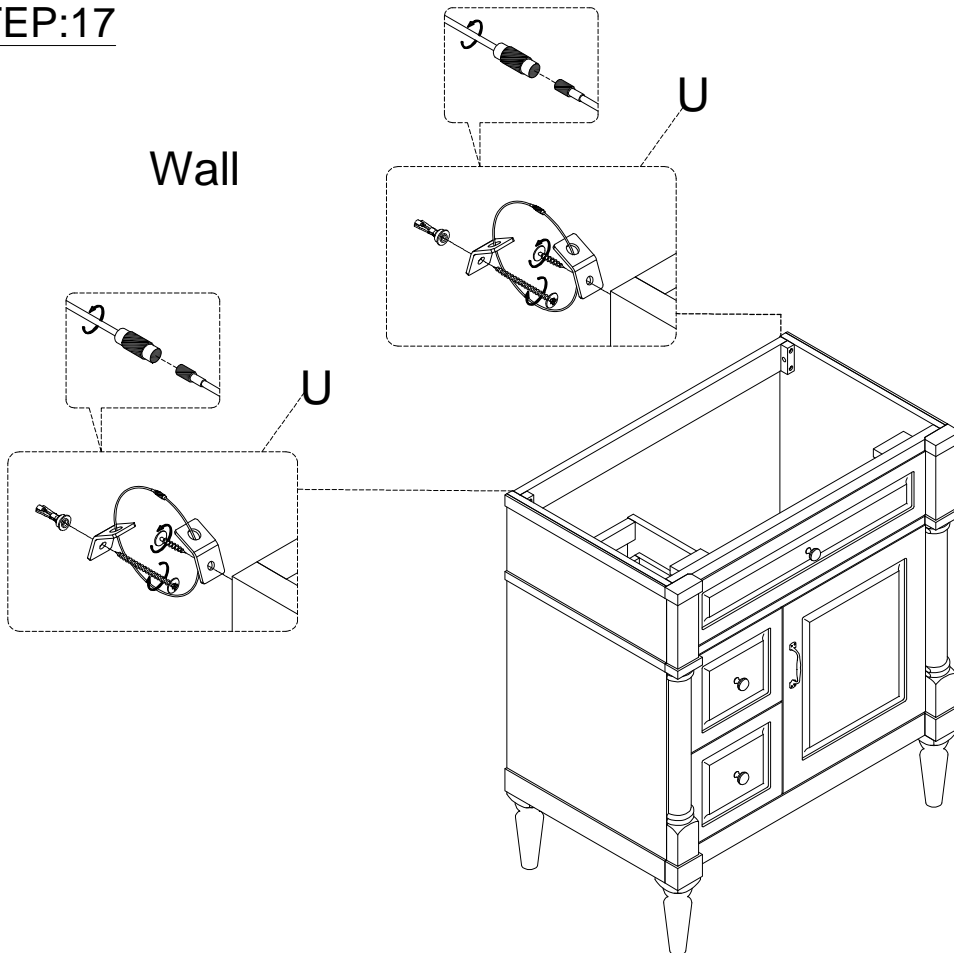
<b>F</b>	<b>H</b>
	
4pcs	4pcs



**STEP:17**

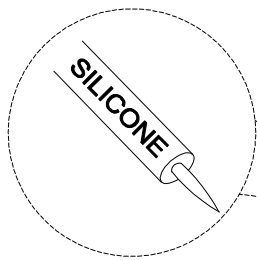
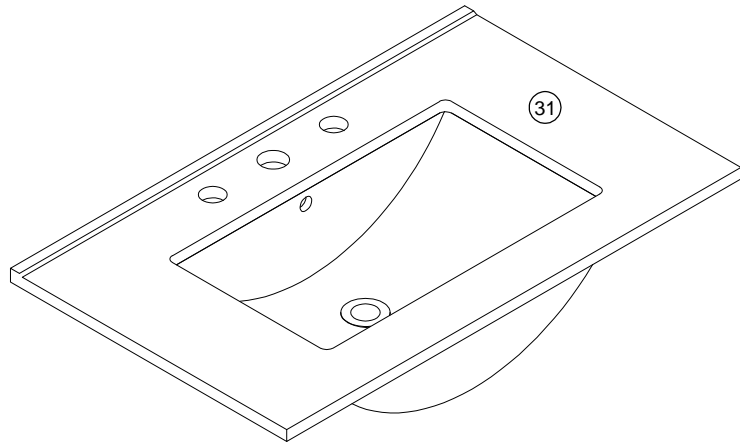
<b>U</b>

2pcs

Wall

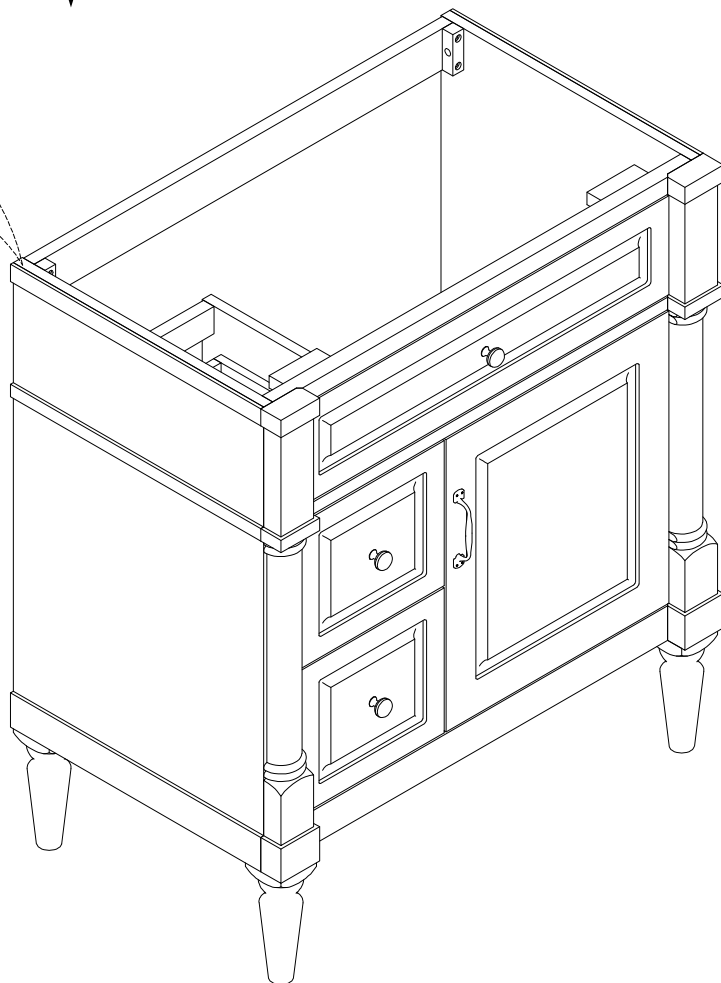


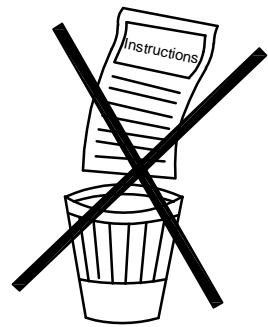
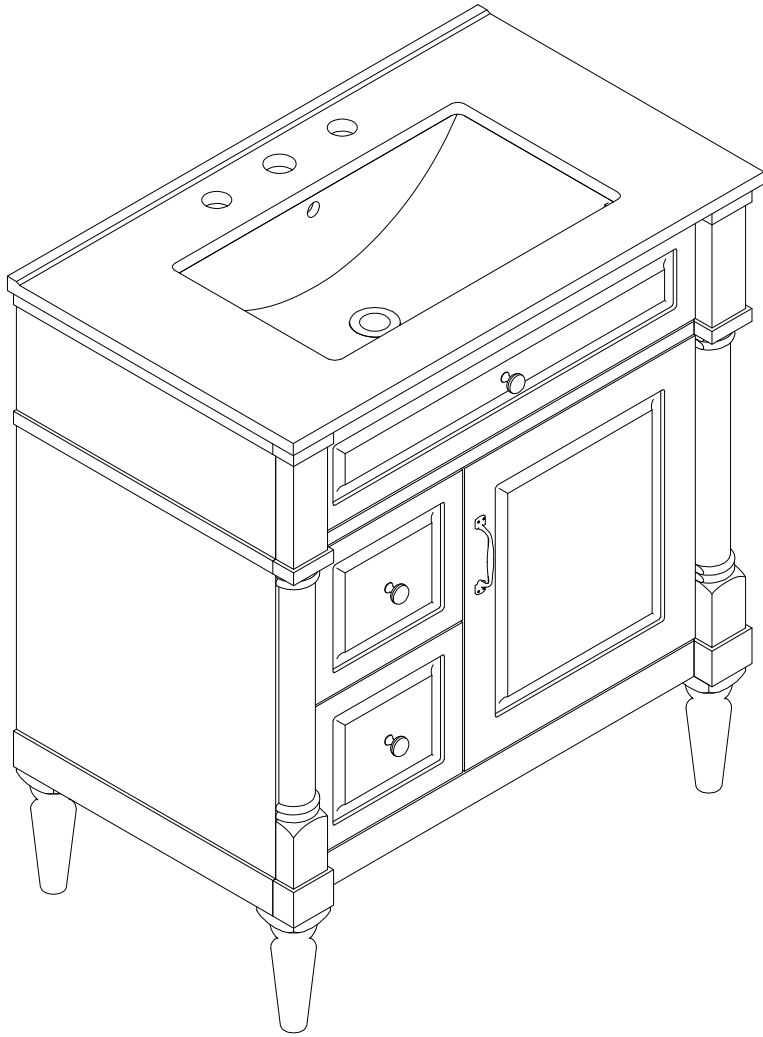
## STEP:18

Install the sink on the cabinet with glue.  
Let stand for 24 hours

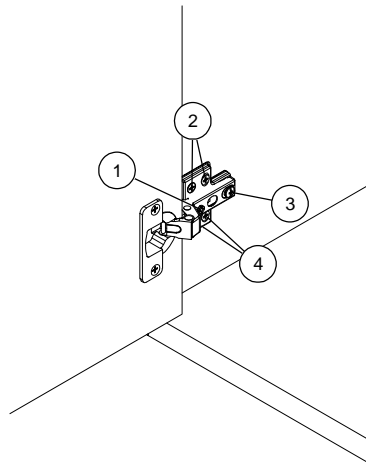


\*Silicone glue is not included in the package to comply with safety regulations in certain shipping conditions.



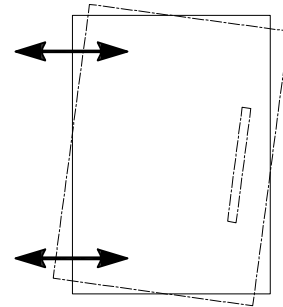


# HINGE ADJUSTMENTS



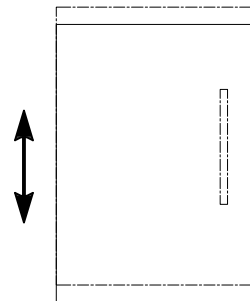
## ① Sideways / Tilt adjustment

Turn the screw  
**clockwise** to move the door further away from  
the side of the cabinet  
**anticlockwise** to move the door closer to the  
side of the cabinet



## ② ④ Height adjustment

While supporting the weight of the door, turn the  
screws  
**clockwise** to move the door up  
**anticlockwise** to move the door down



## ③ Forward and back adjustment

