

ASSEMBLY INSTRUCTION

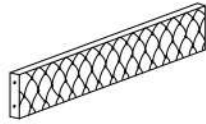
PART LIST

① HEAD BOARD



1PC

② FOOTBOARD



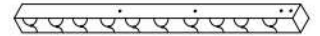
1PC

③ SIDE RAIL



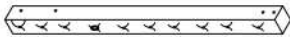
2PCS

④ HB POST (L+R)



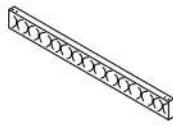
2PCS

⑤ FB POST (L+R)



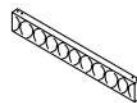
2PCS

⑥ LONG CANOPY



2PCS

⑦ SHORT CANOPY



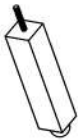
2PCS

⑧ SLAT



4PCS

⑨ SUPPORT LEG



4PCS

⑩ FEET



10PCS

HARDWARE LIST

Ⓐ SCREW M4X38MM



8PCS

Ⓑ THREADED STUD
Ø5/16" X 3-1/8"



32PCS

Ⓒ FLAT WASHER
Ø5/16" X 22MM



32PCS

Ⓓ LOCK WASHER
Ø5/16"



32PCS

Ⓔ HEX NUT
Ø5/16" X 12MM



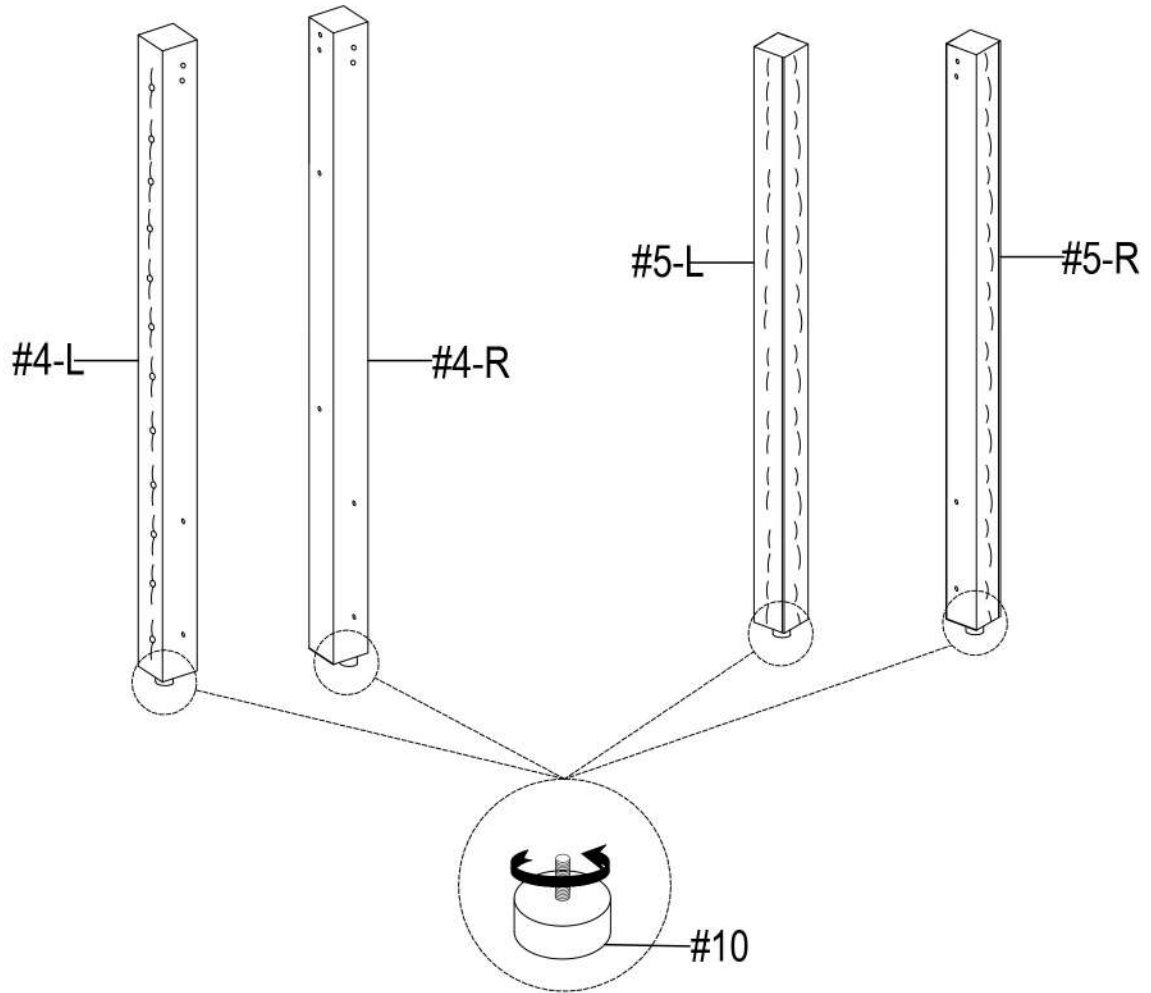
32PCS

Ⓕ WRENCH 12MM

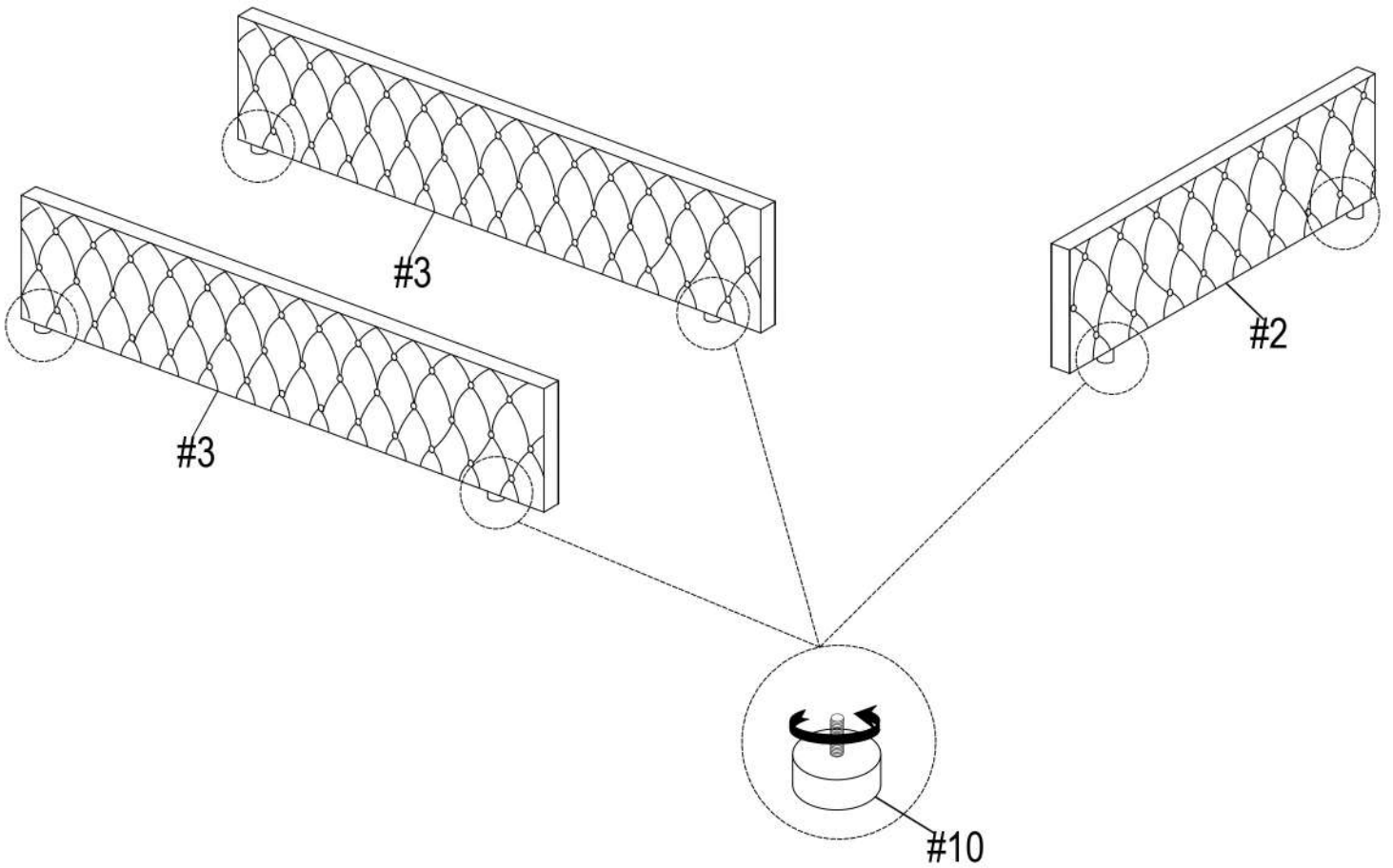


1PC

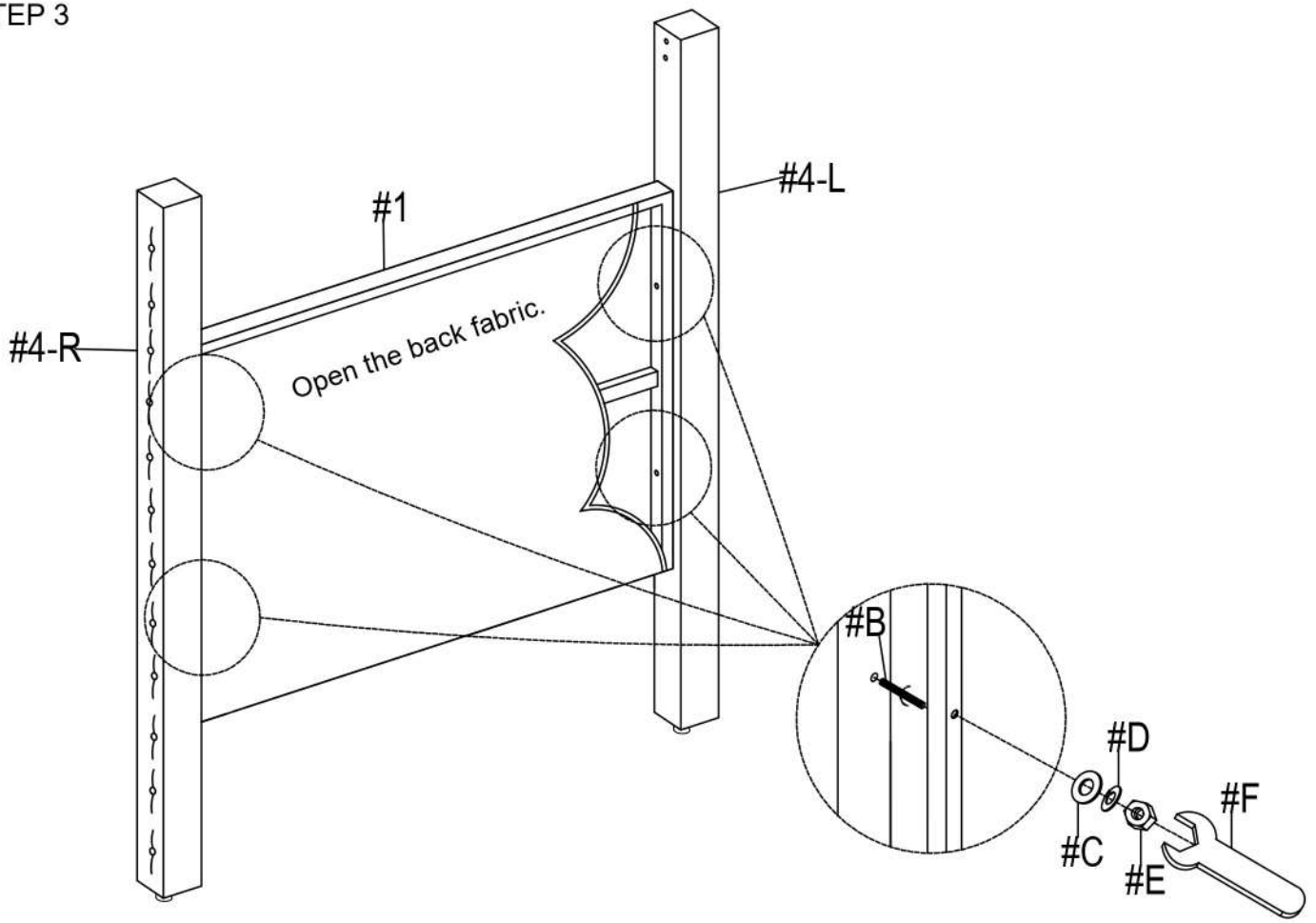
STEP 1



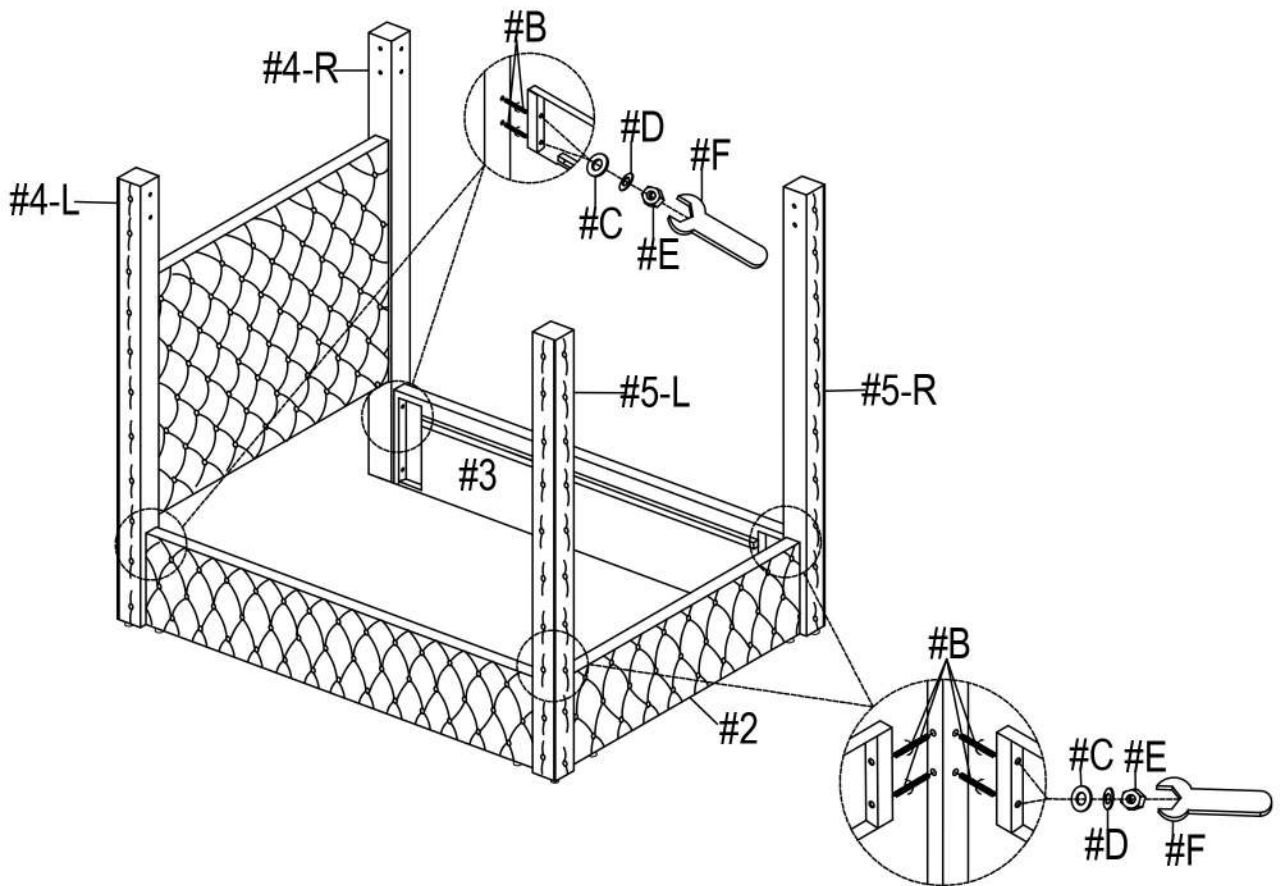
STEP 2



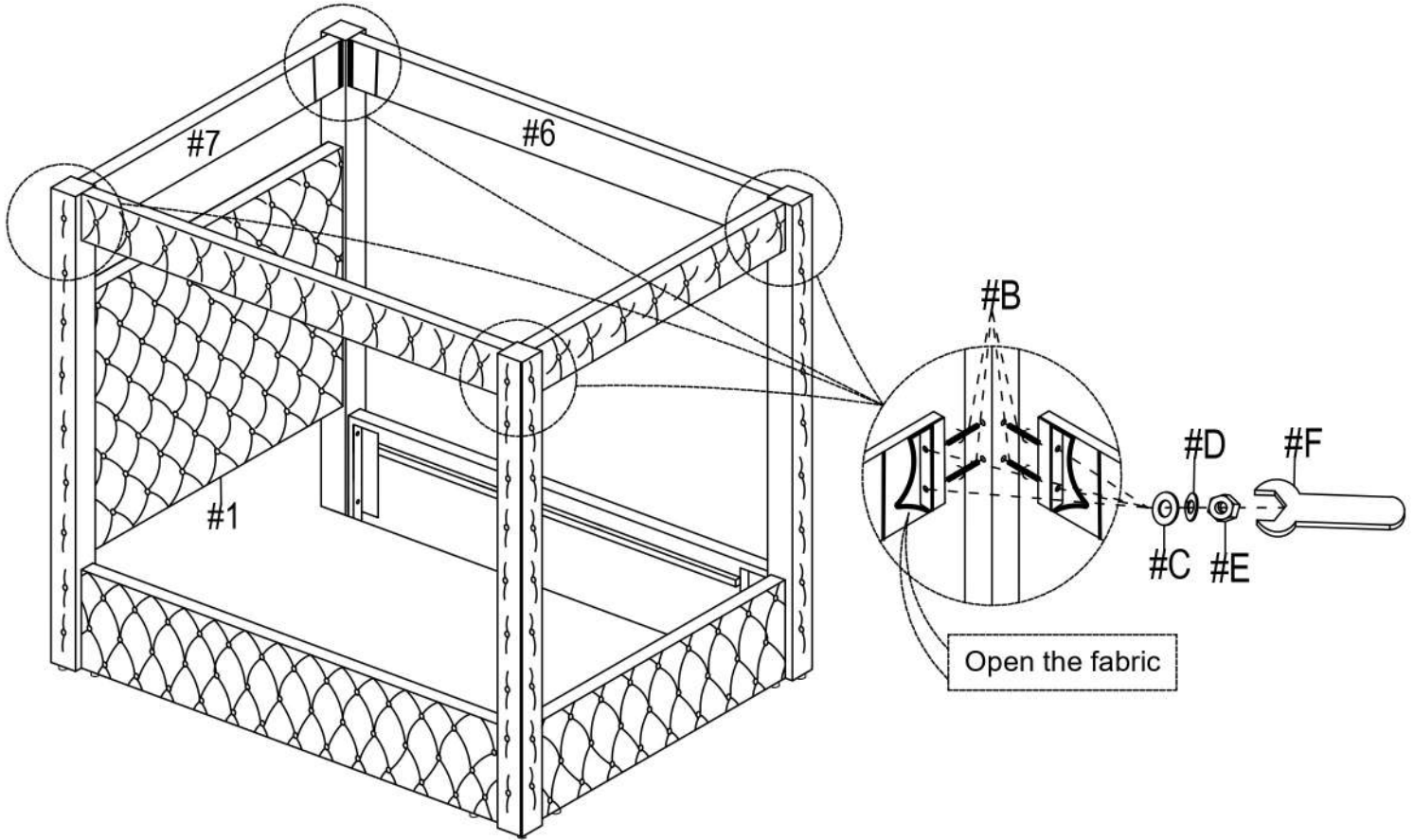
STEP 3



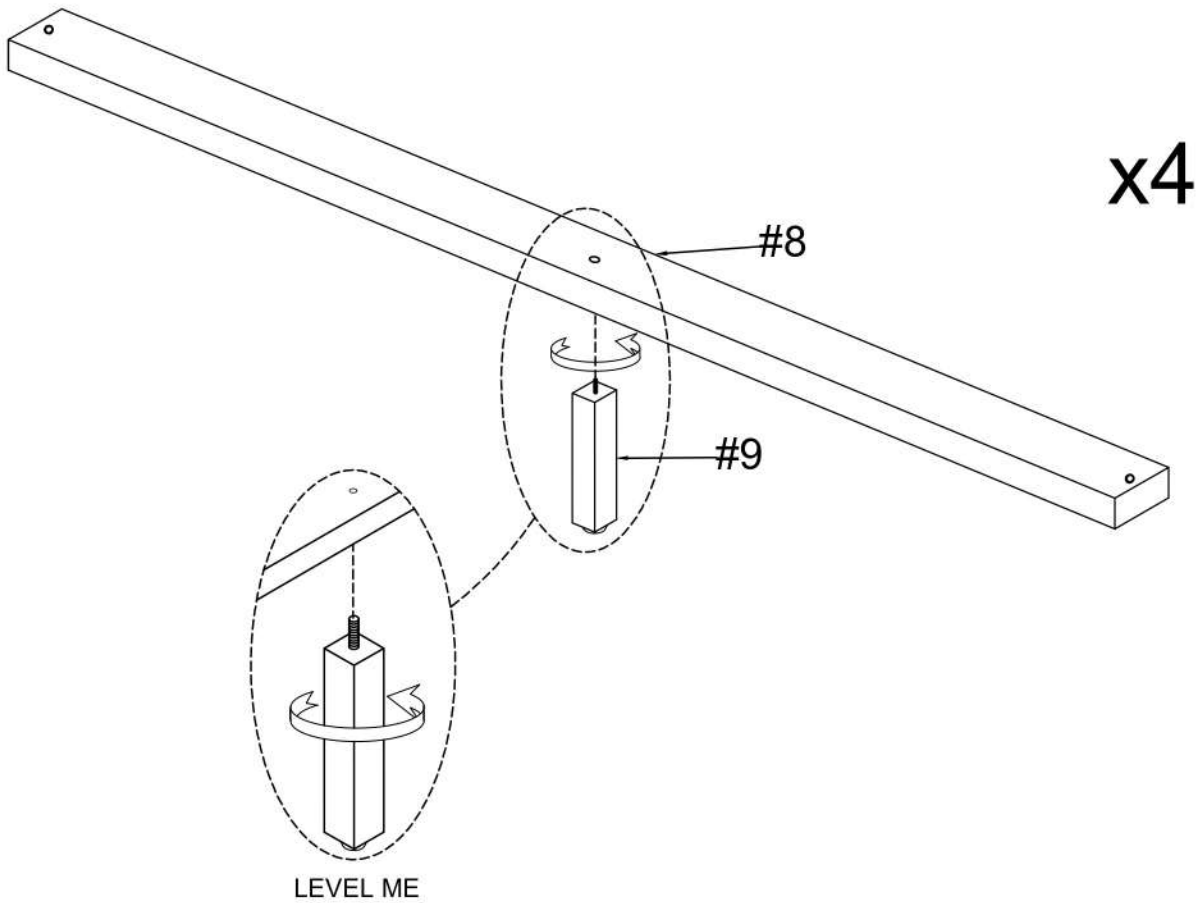
STEP 4



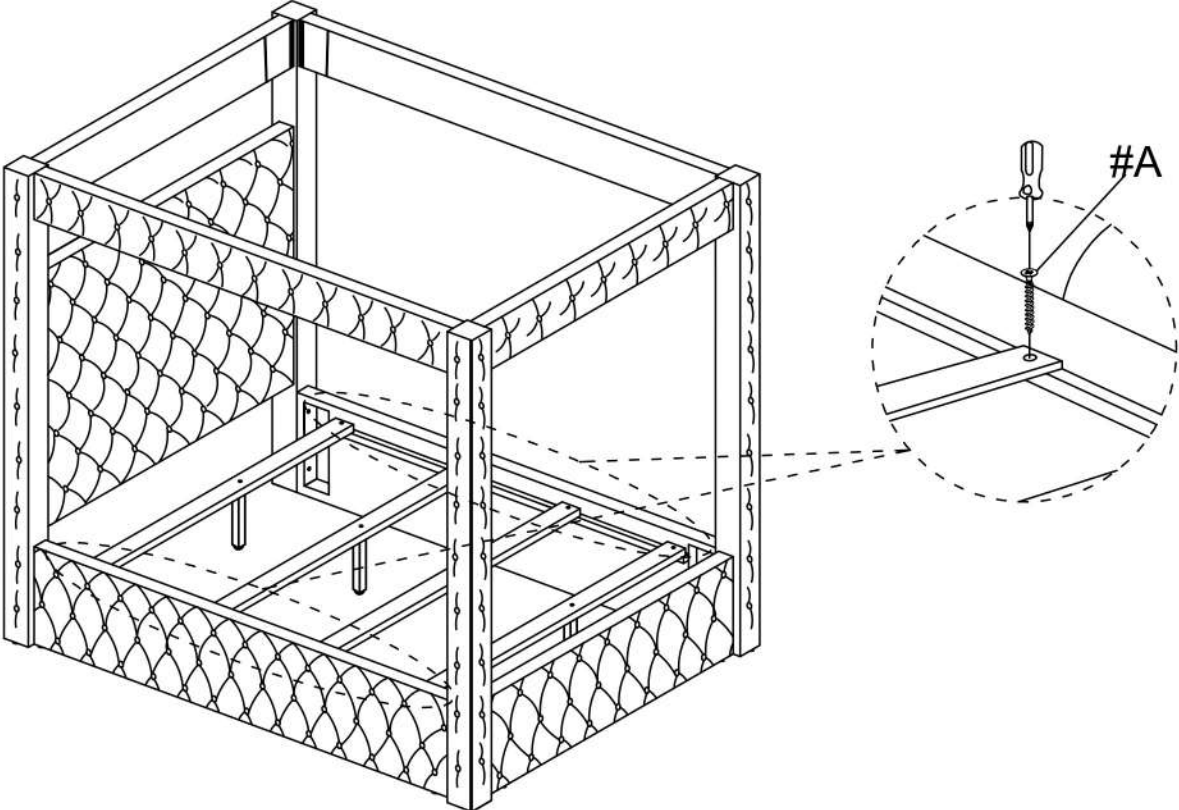
STEP 5



STEP 6



STEP 7



STEP 8

Assembly complete

