












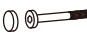

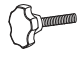


STOP

Missing Parts, Questions on Assembly?

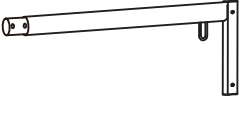





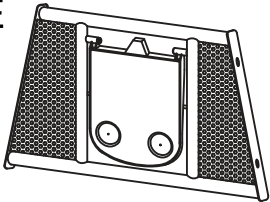
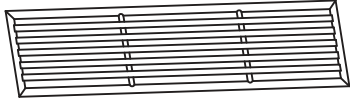
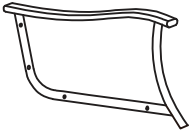
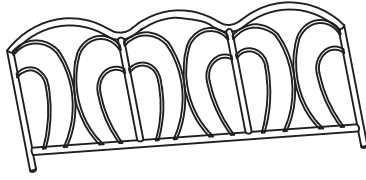

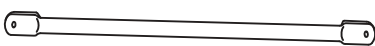


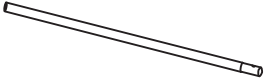
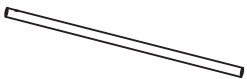
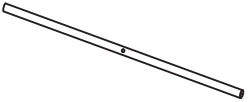

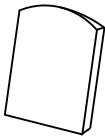
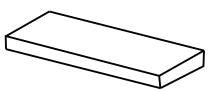
**Do not return to dealer they are not
equipped to handle your requests.**

We will reply to you within 1 business day.

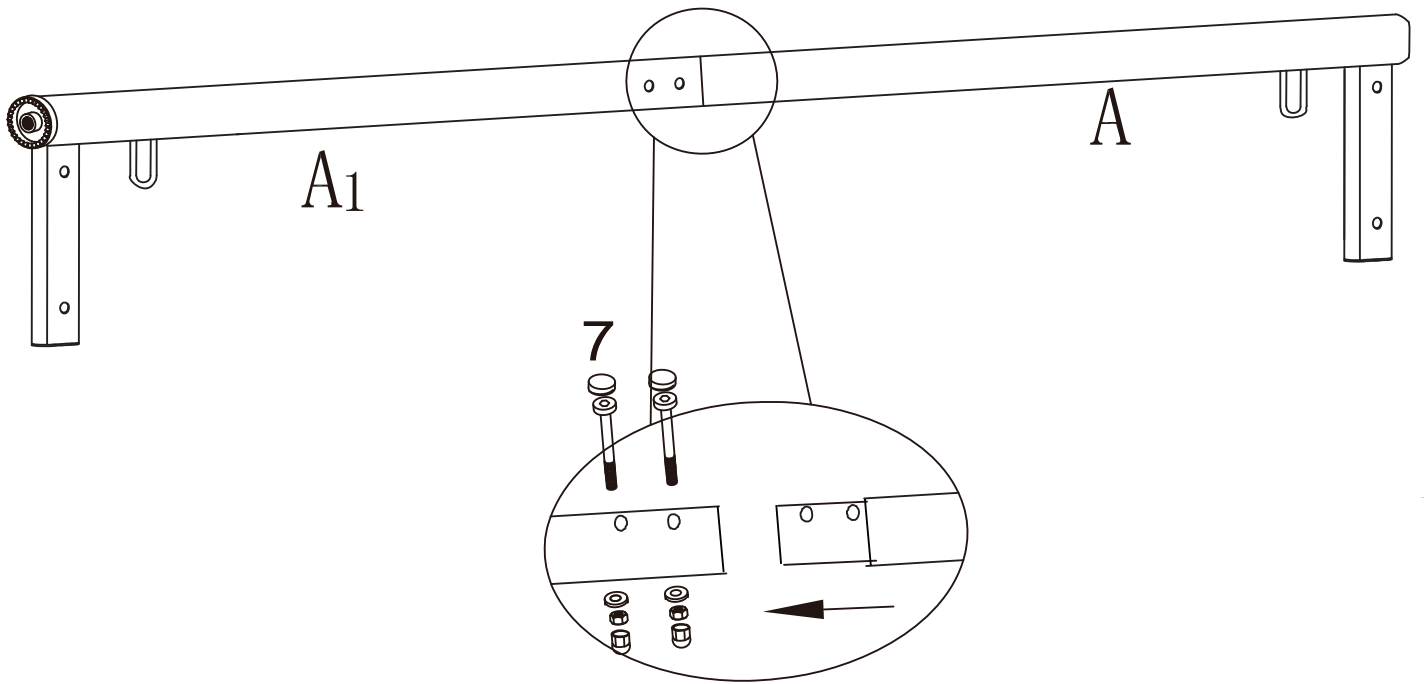
HARDWARE


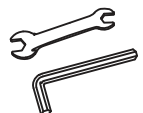
1  M8X100 Bolt 6 PCS	2  M8X90 Bolt 2 PCS	3  M8X80 Bolt 4 PCS	4  M8X78 Bolt 2 PCS	5  M8X55 Bolt 2 PCS	6  M6X95 Bolt 4 PCS		
7  M6X68 Bolt 2 PCS	8  M6X32 Bolt 1 PCS	9  M6X32 Bolt 10 PCS	10  M6X20 Bolt 8 PCS	11  M6X30 Bolt 2PCS	P1  2 PC	P2  1 PC	X1  12 PCS

PARTS

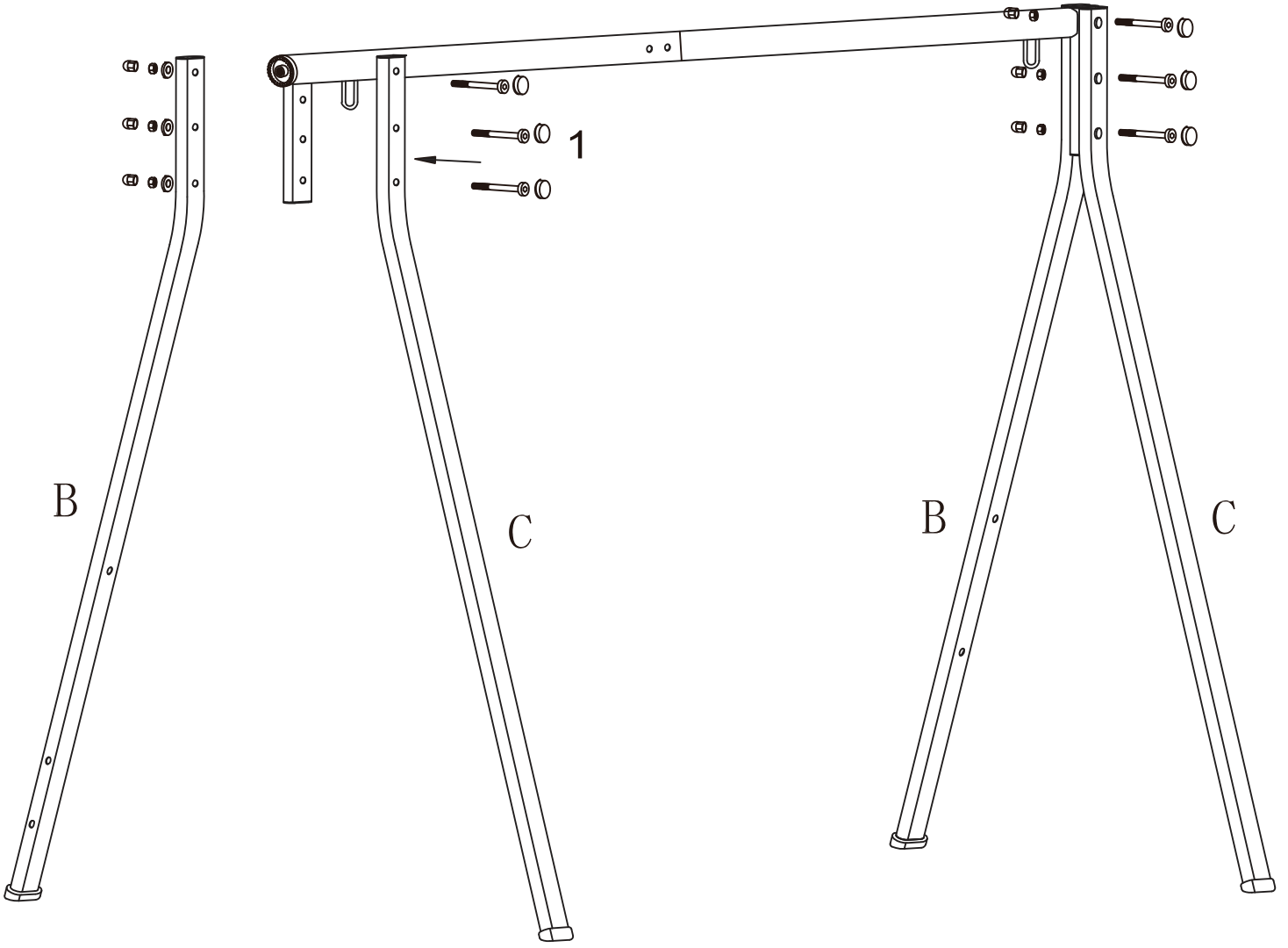
A  1 PC	A1  1 PC	B  2 PCS	C  2 PCS	
D  1 PC	D1  1 PC	E  2 PCS	F  1 PCS	G  2 PCS
H  1 PC	I  2 PCS	J  2 PCS	K  2 PCS	
L  1 PC	M  2 PCS	N  2 PCS	O  2 PCS	
P  2 PCS	Q  3 PCS	R  1 PC		


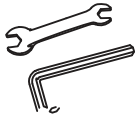
1



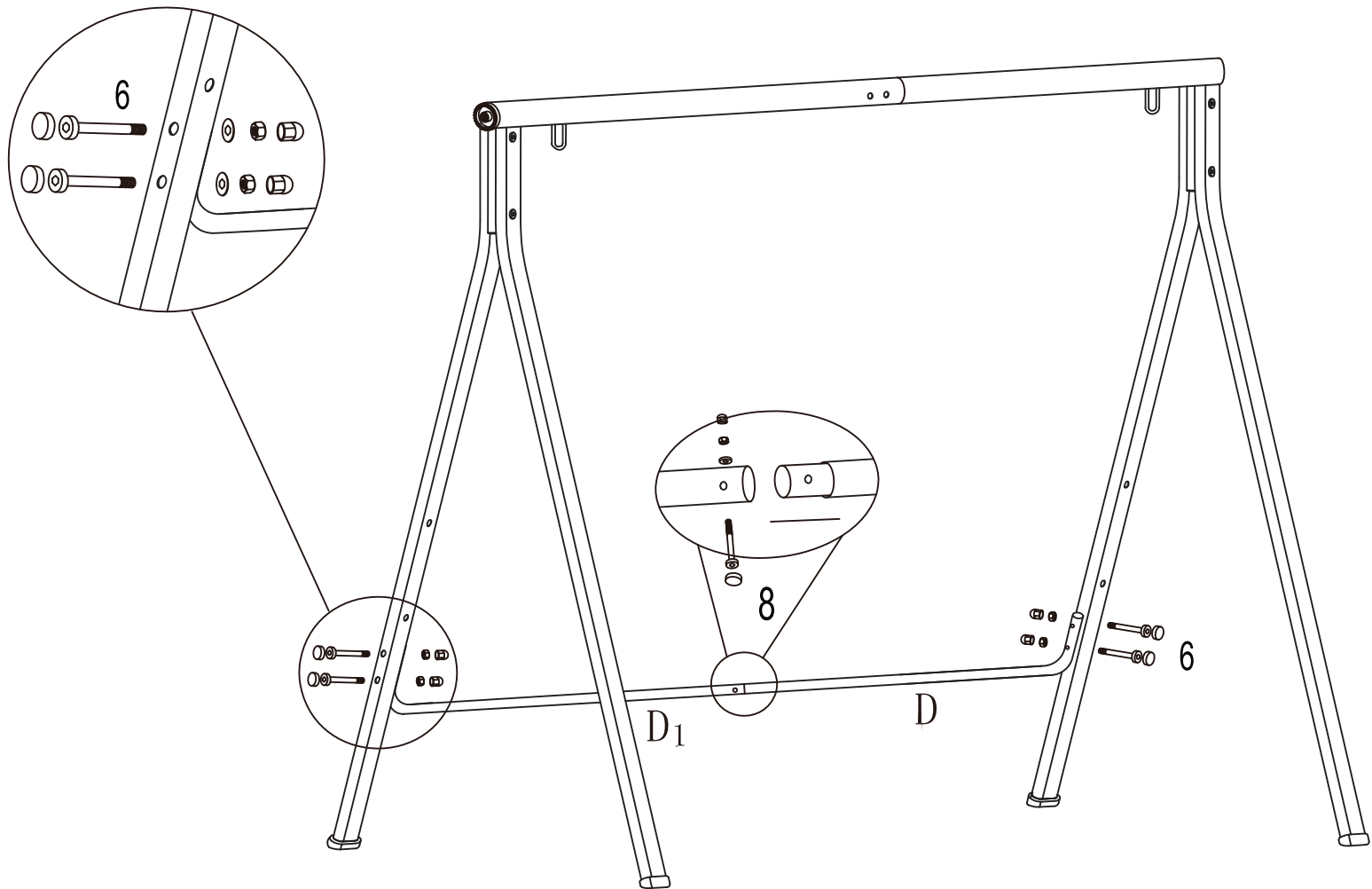
PART NO.	PART	QTY
7		2
P2		1



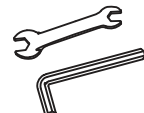
2



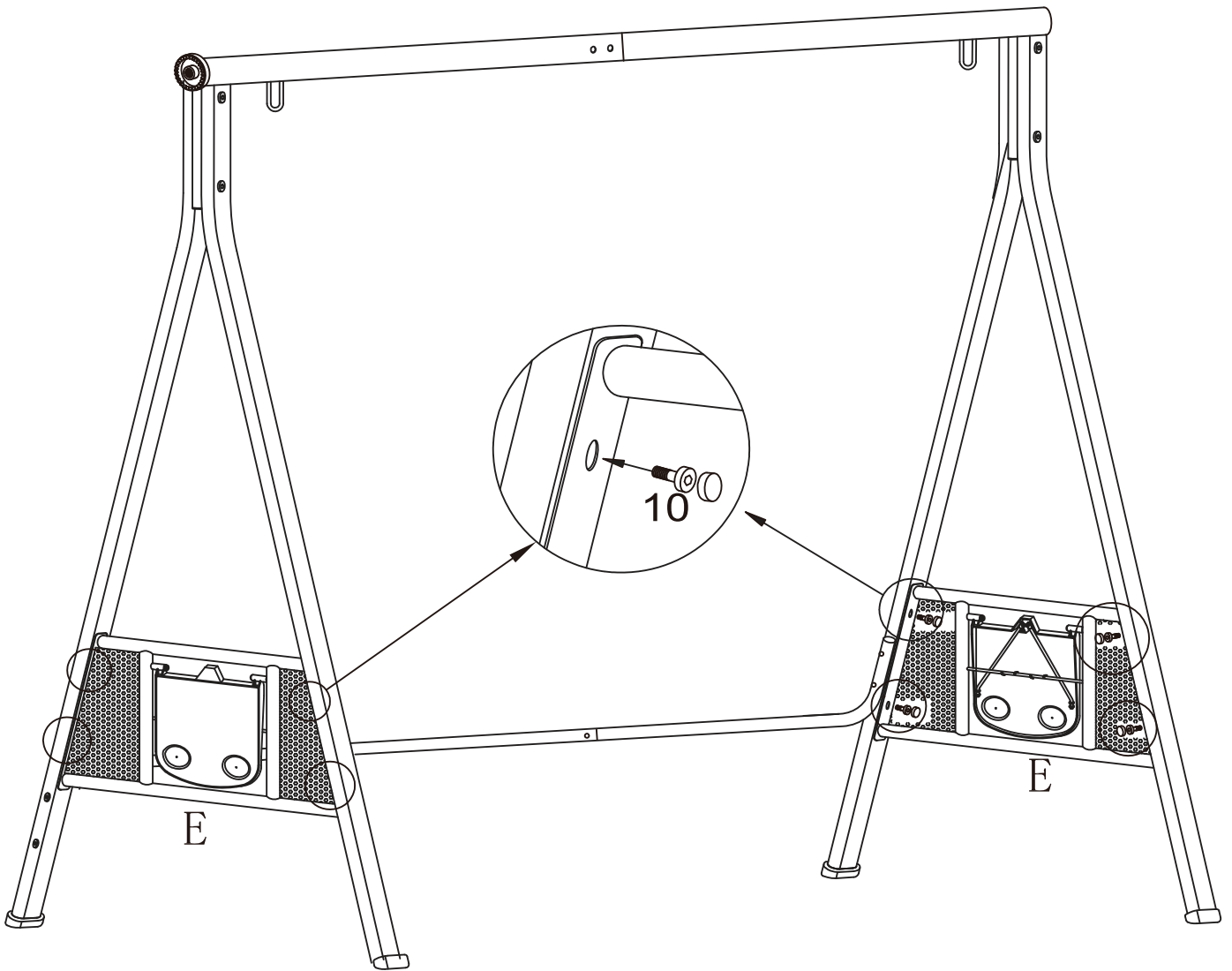
PART NO.	PART	QTY
1		6
P2		1

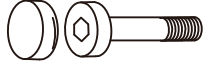

3

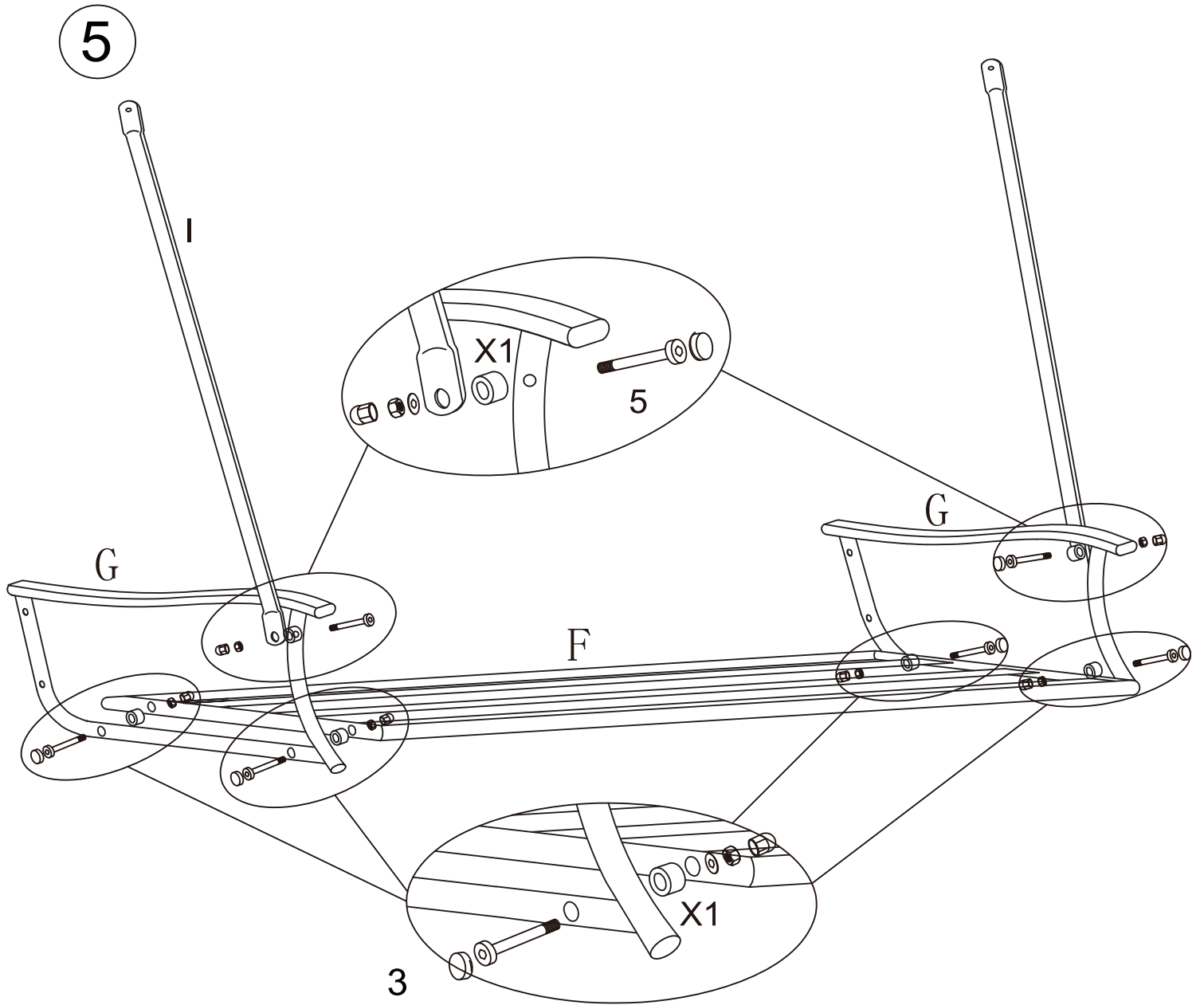





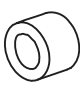
PART NO.	PART	QTY
6		4
8		1
P2		1

4

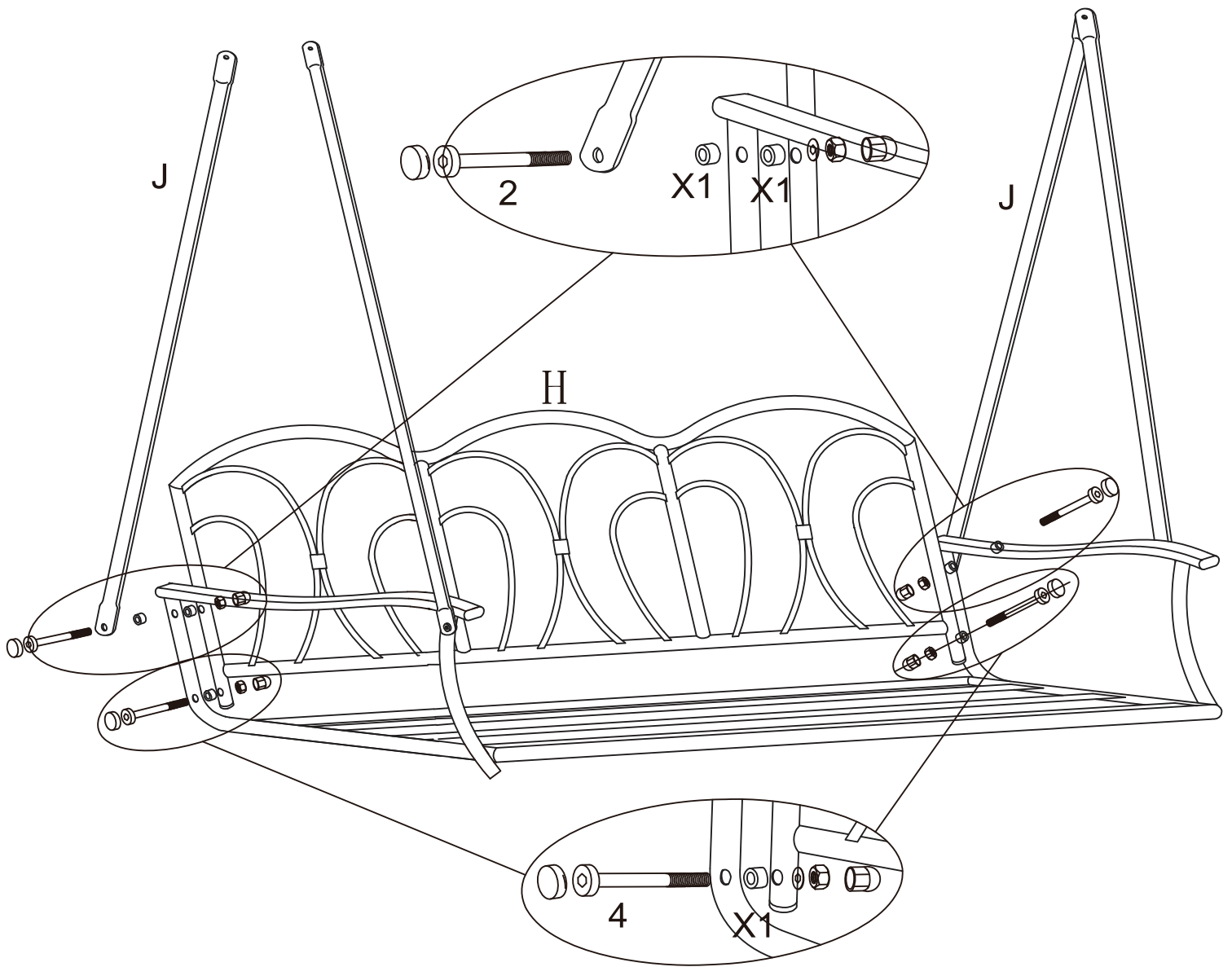






PART NO.	PART	QTY
10		8
P2		1



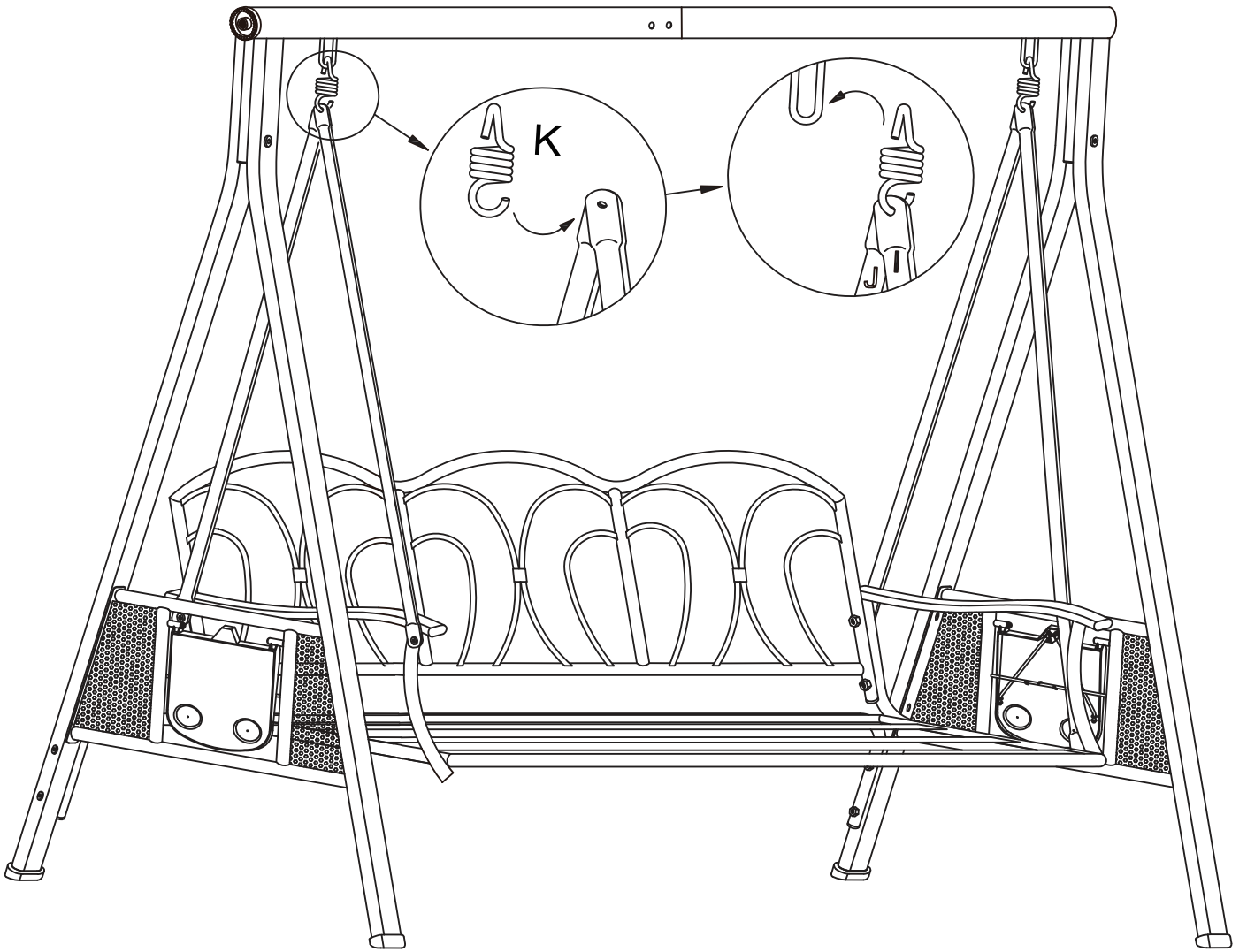
PART NO.	PART	QTY
3		4
5		2
P2		1
X1		6

6

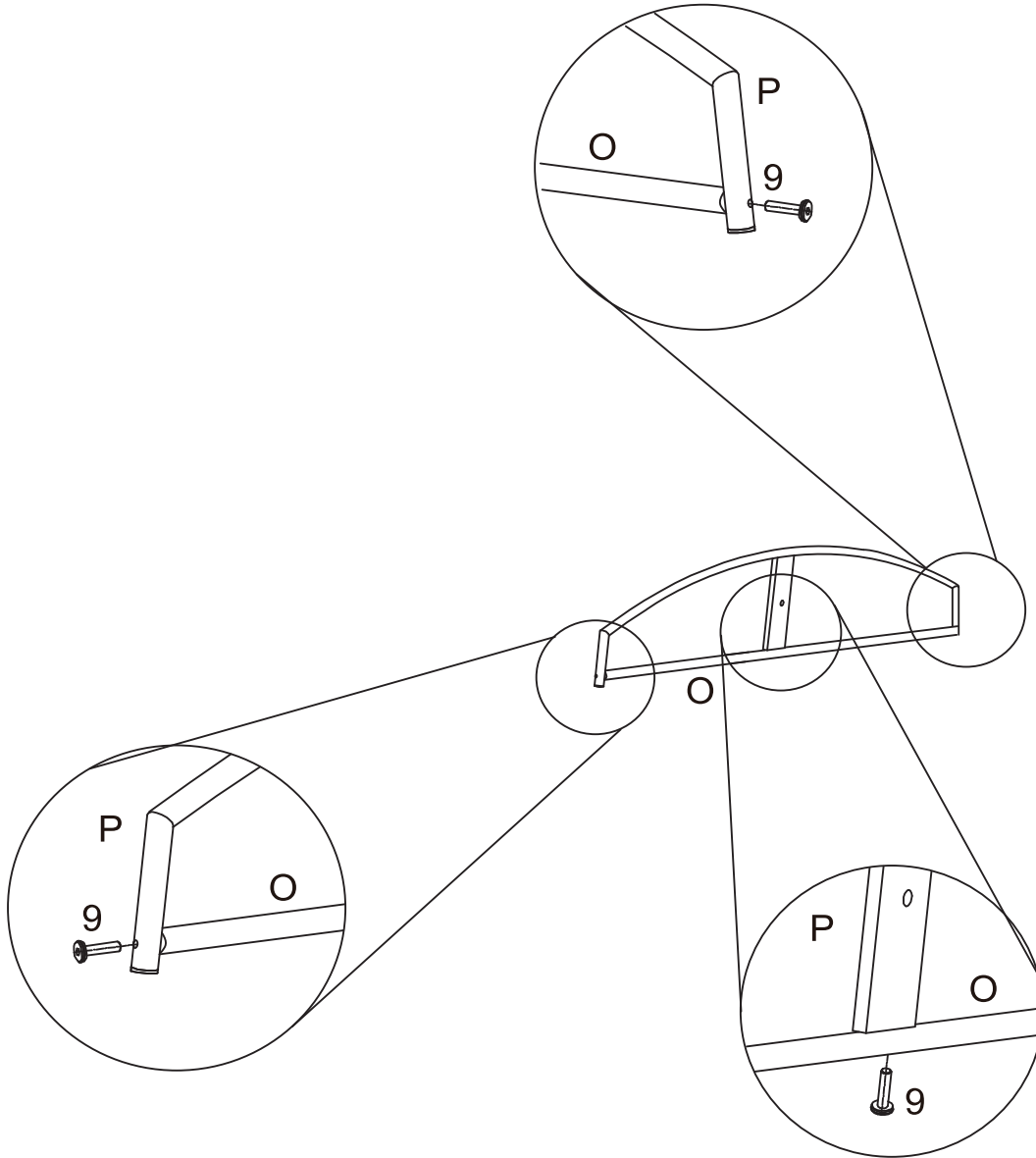


PART NO.	PART	QTY
2		2
4		2
P2		1
X1		6

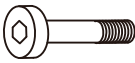

7

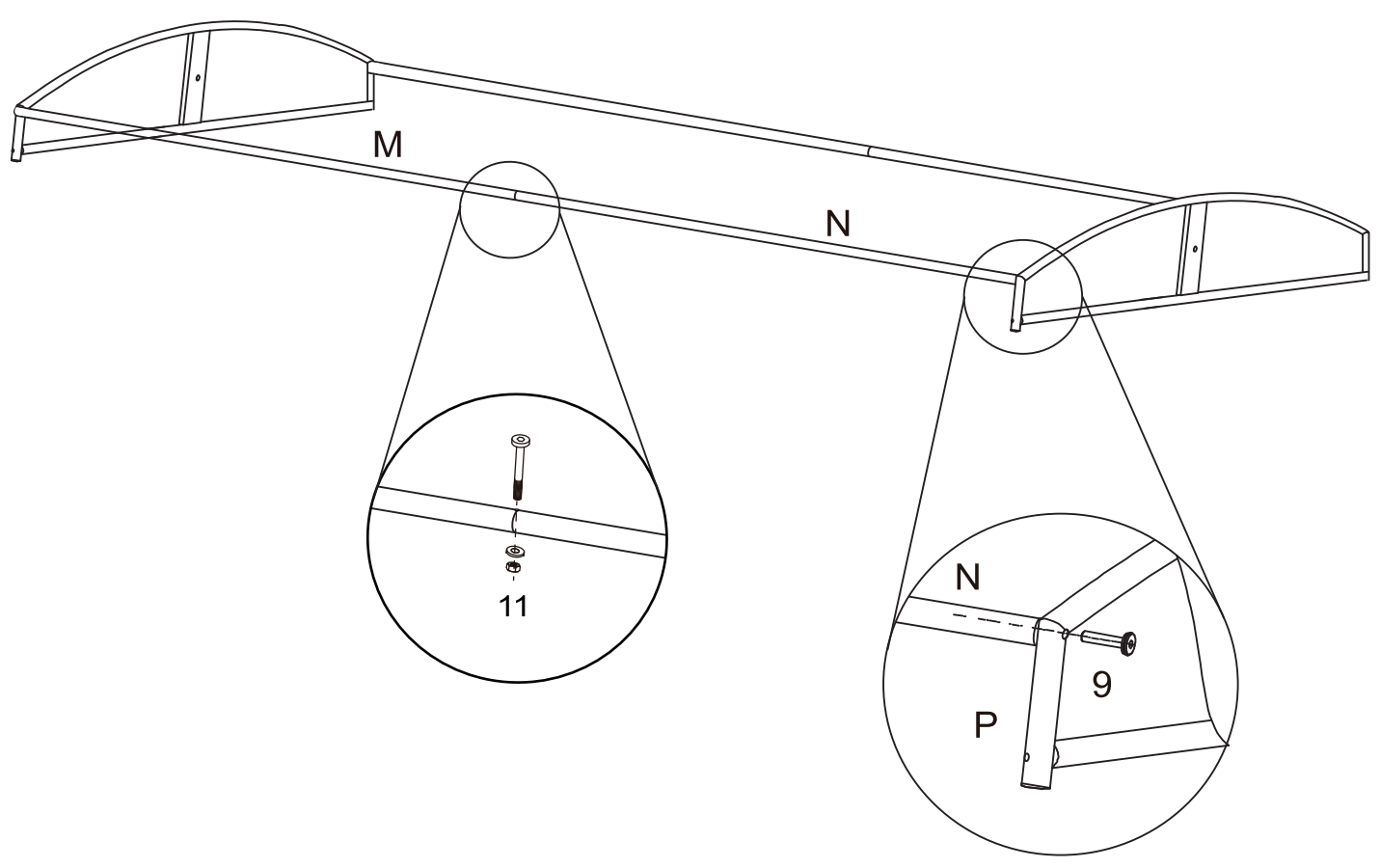


8

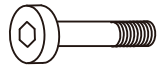




The other end is also assembled in the same way as in the illustration

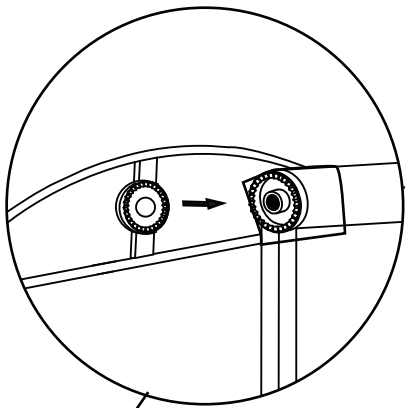
PART NO.	PART	QTY
9		6
P2		1



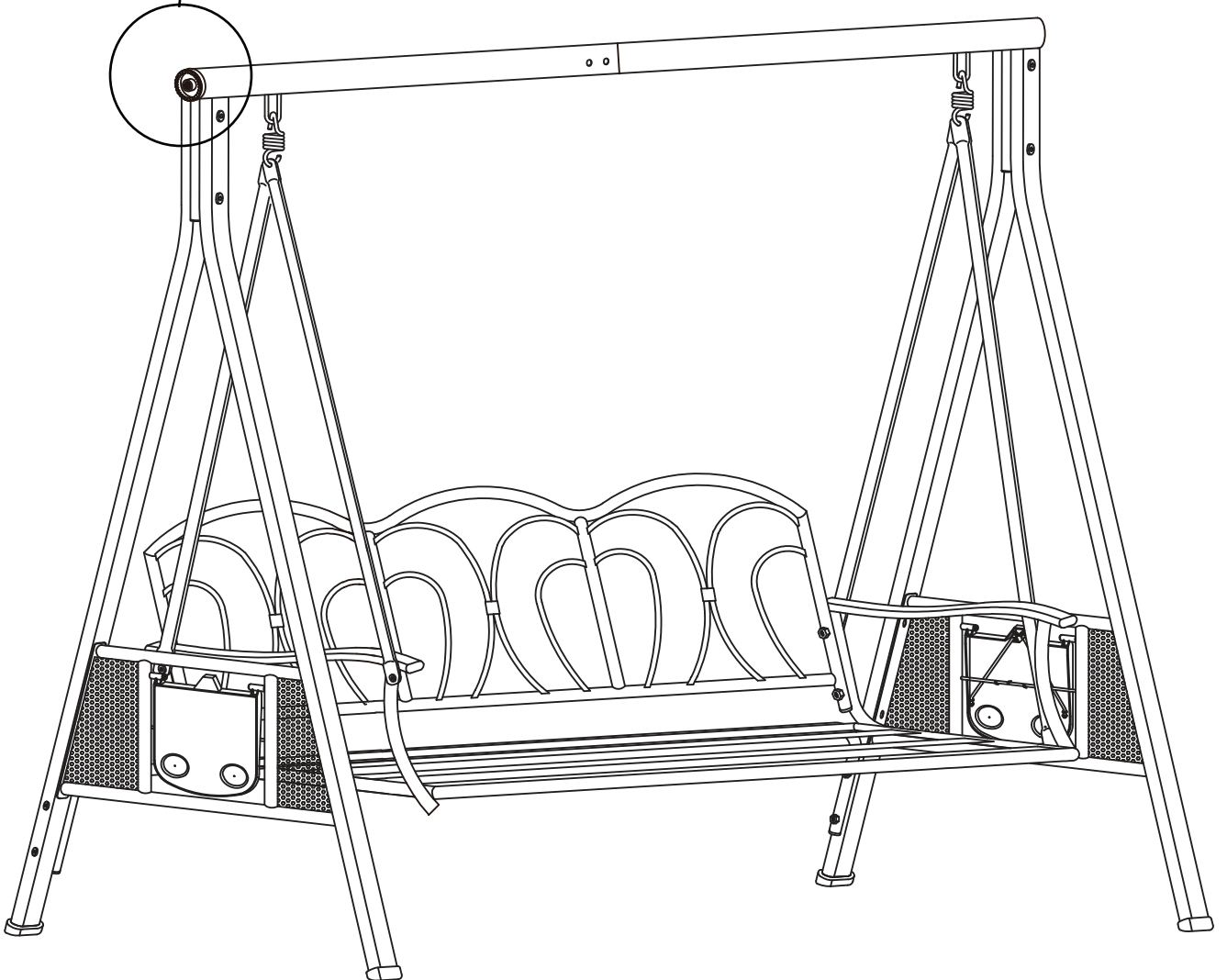
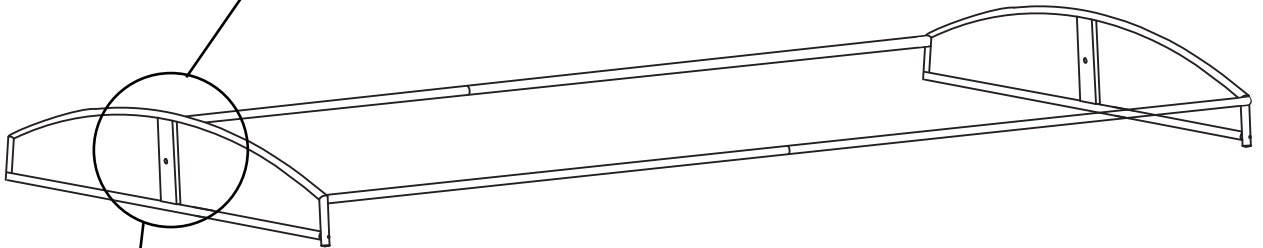
The other end is also assembled in the same way as in the illustration

PART NO.	PART	QTY
9		4
11		2
P2		1

10

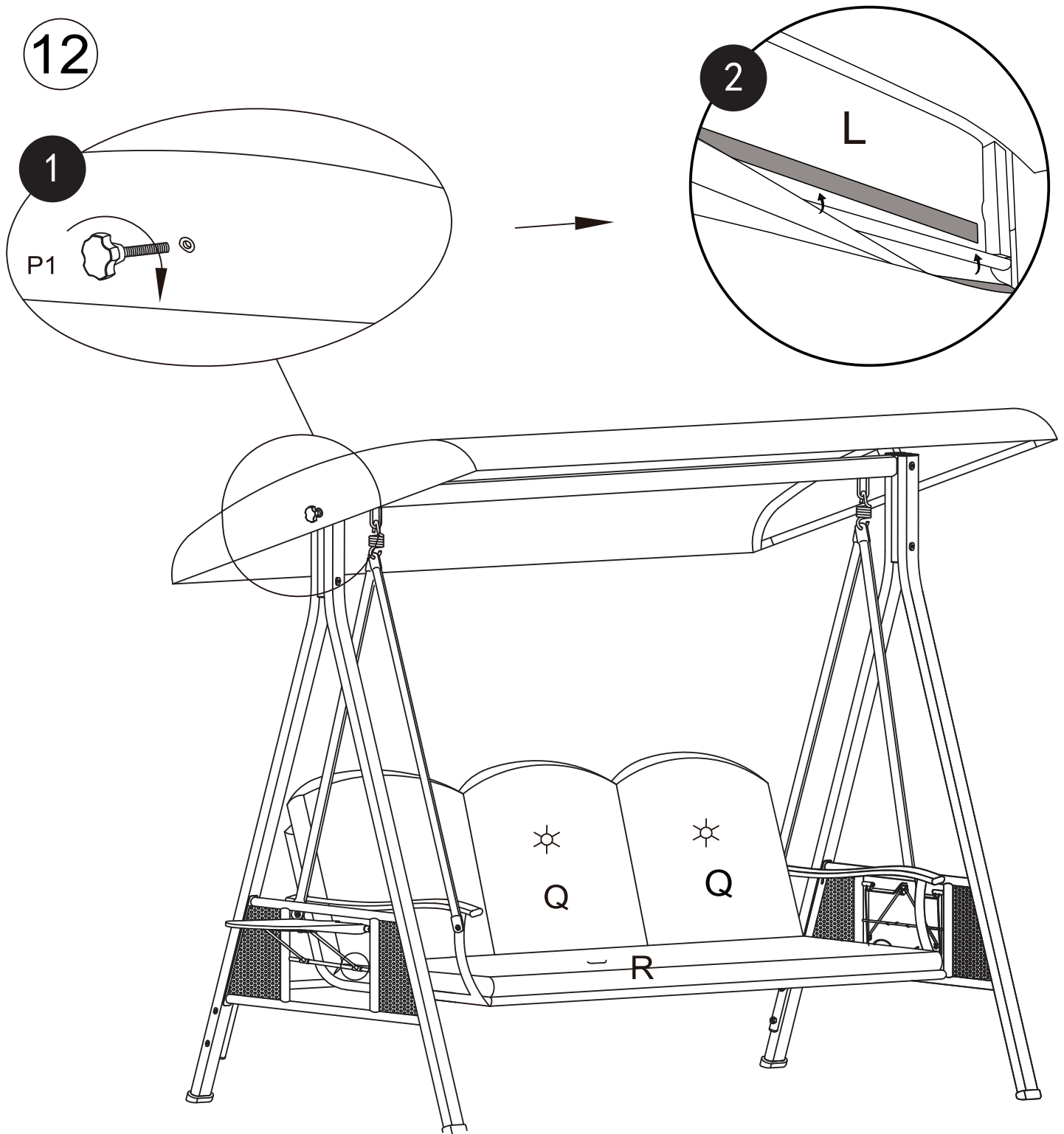


Align the two assemblies

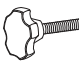


11





First is to fix the P1, then pull down the tarpaulin tightly and press the upper and lower velcro inward.

PART NO.	PART	QTY
P1		2