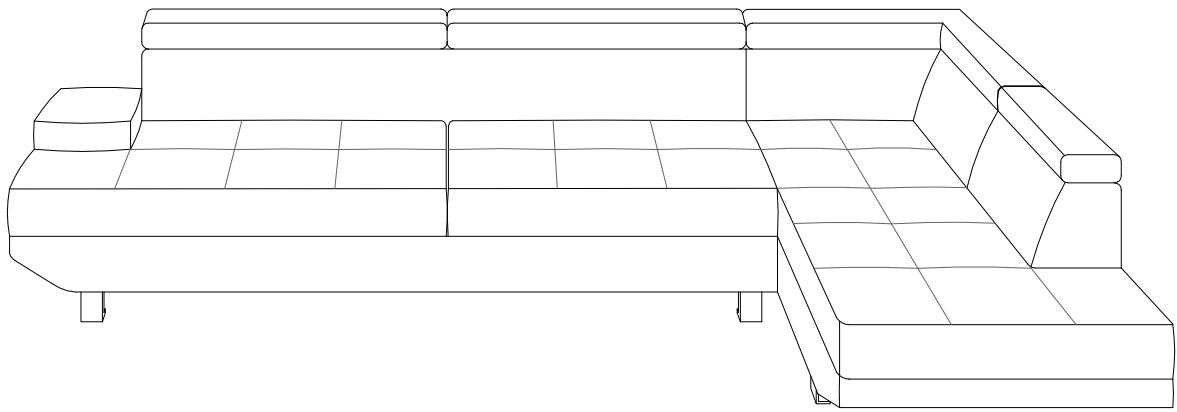
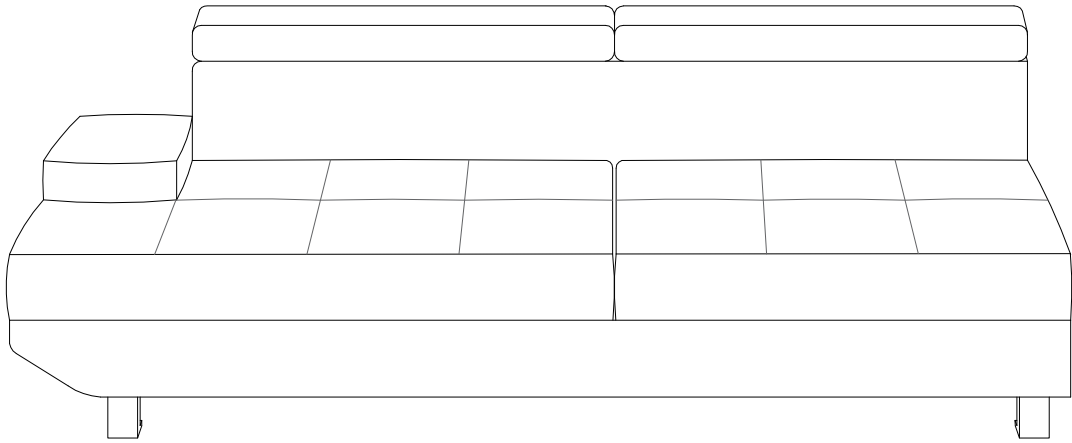


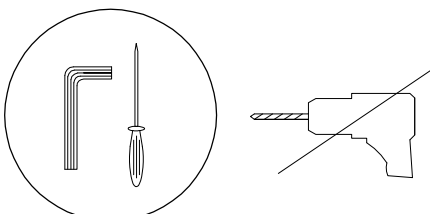

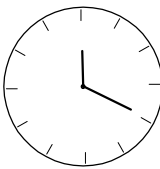
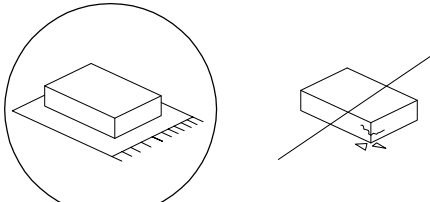
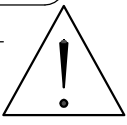
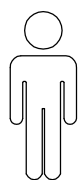
A

B



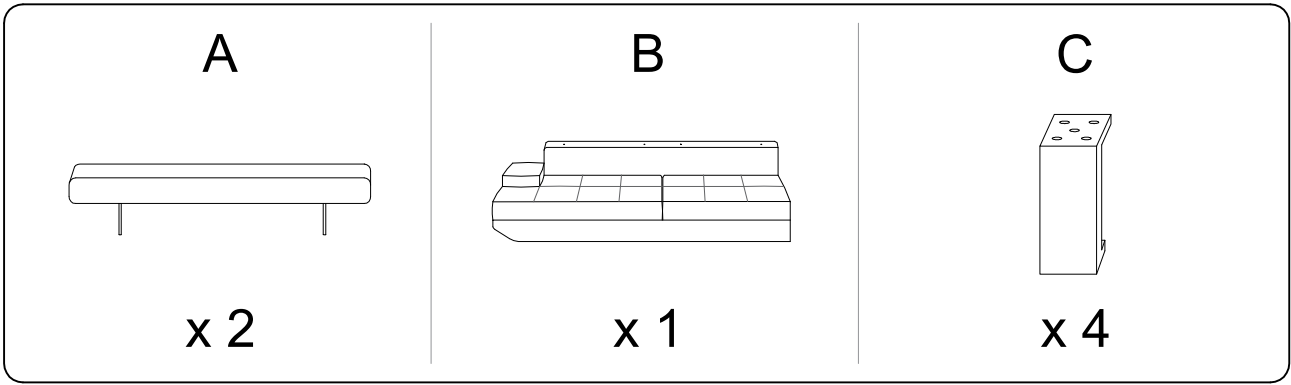
# A



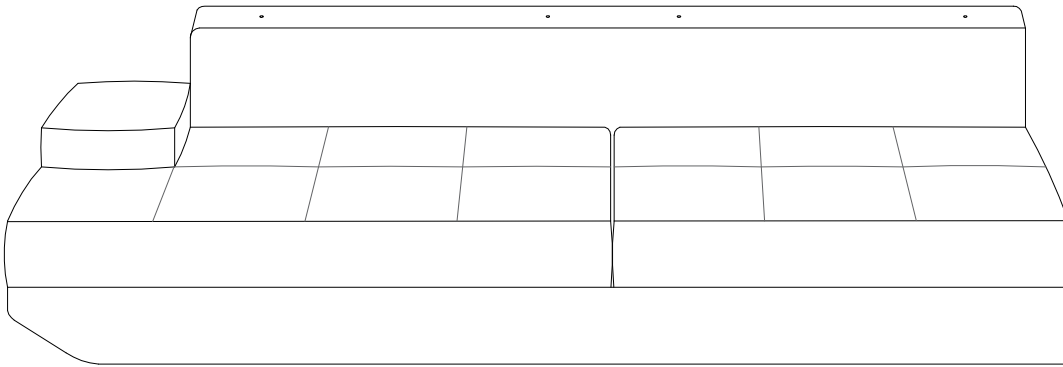
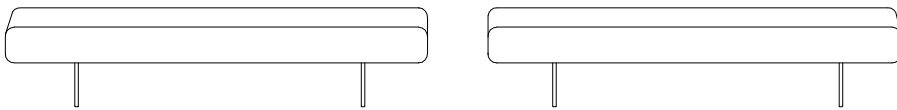
		
		

20'

1

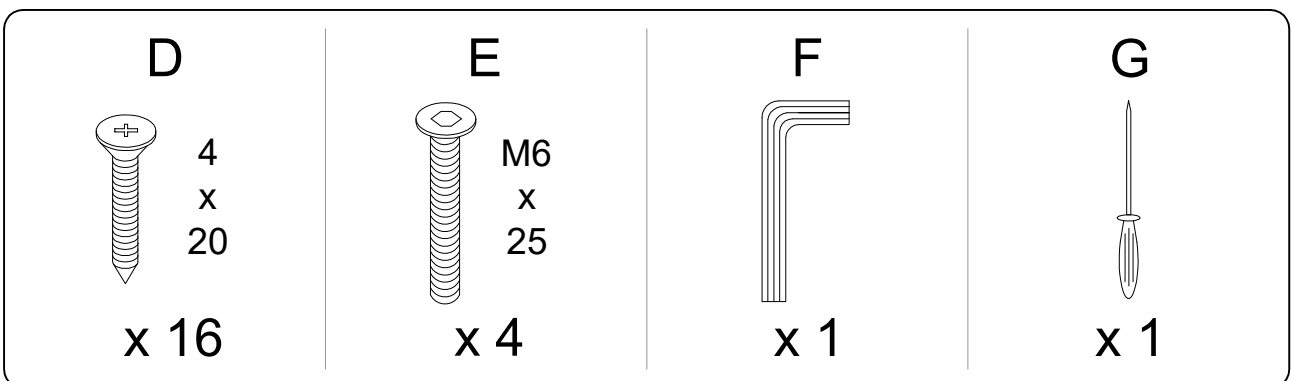
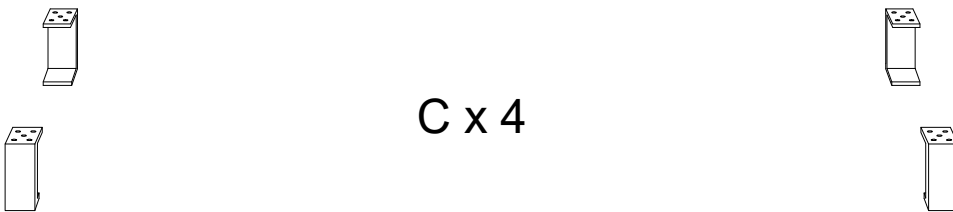


**A x 2**


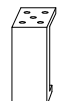
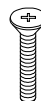
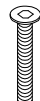
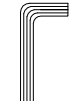



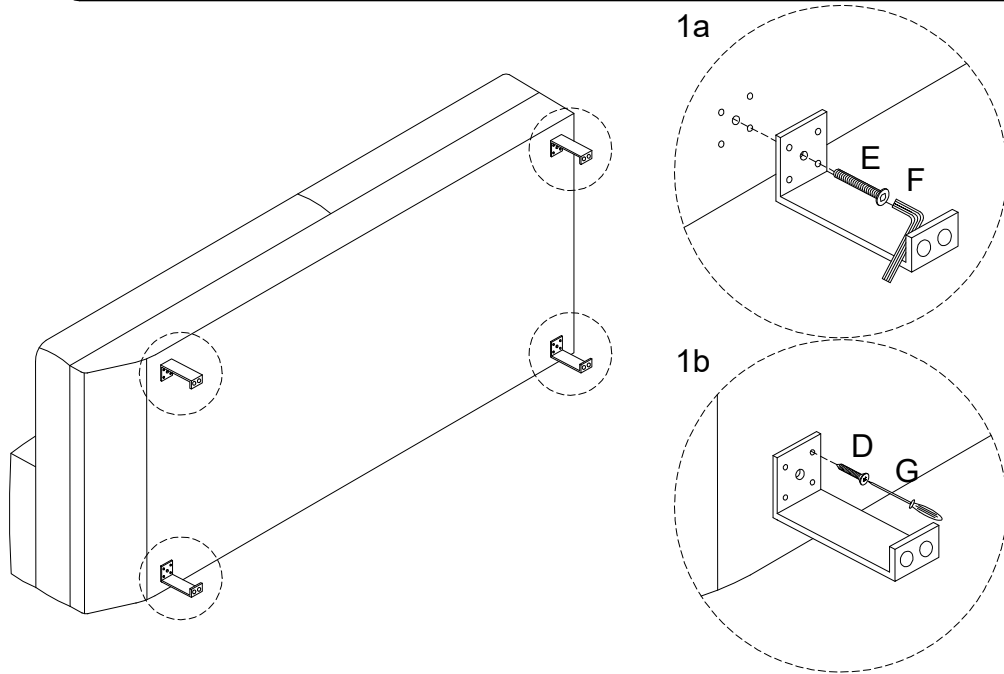
**B**

**C x 4**

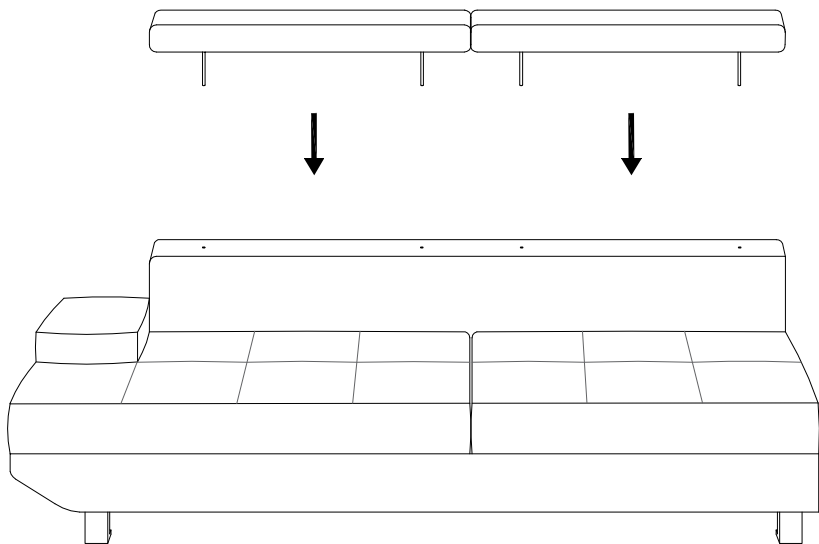
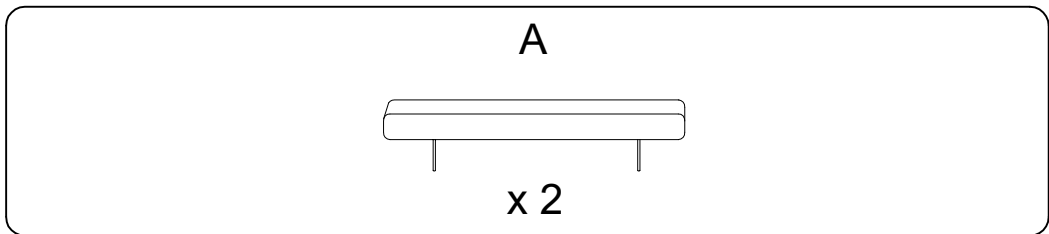


1

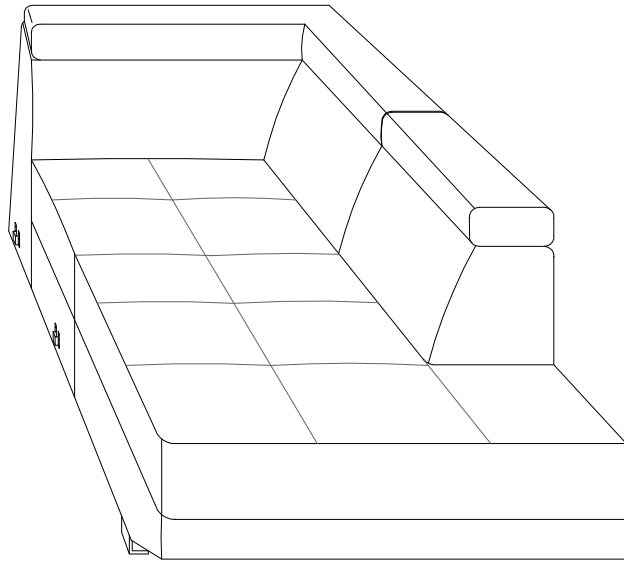
<b>B</b>  x 1	<b>C</b>  x 4	<b>D</b>  4 x 20 x 16	<b>E</b>  M6 x 25 x 4	<b>F</b>  x 1	<b>G</b>  x 1
--	--	---	---	--	--

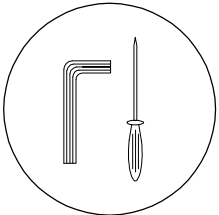
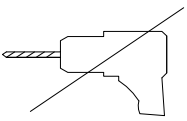

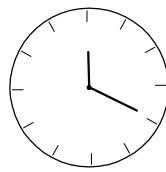
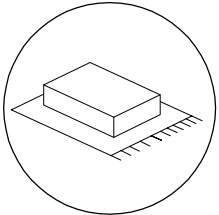
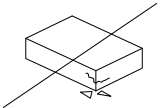
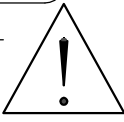



2



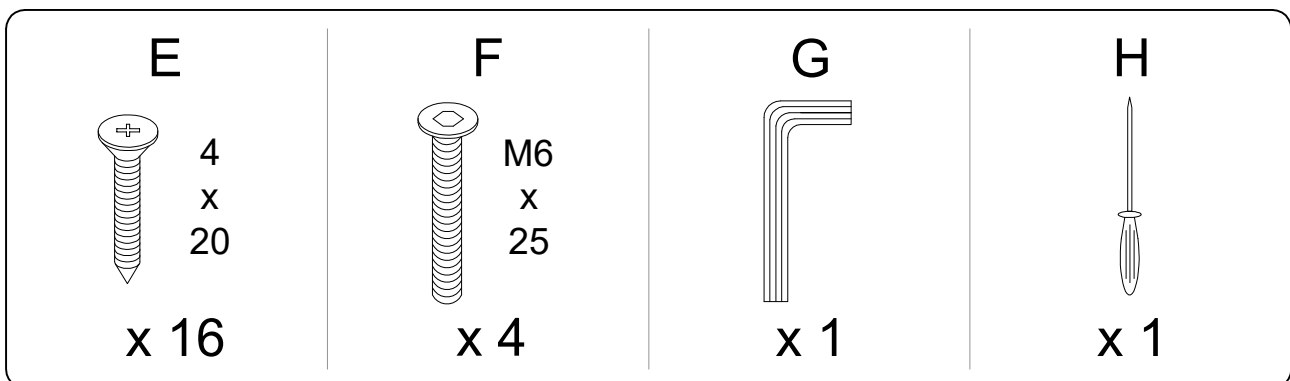
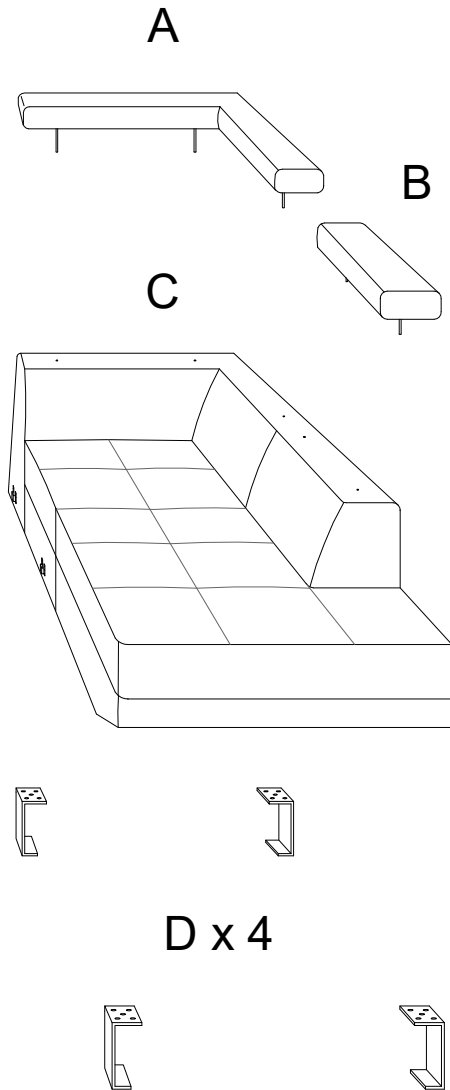
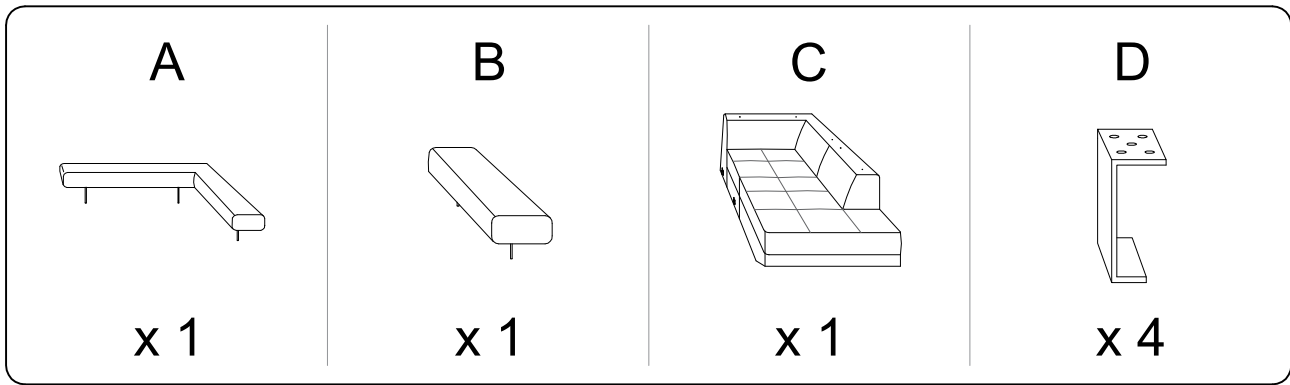
# B



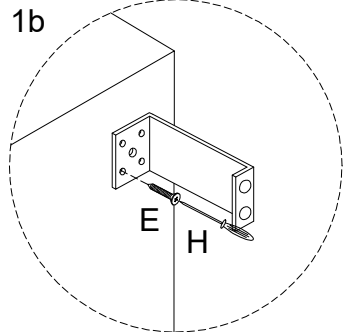
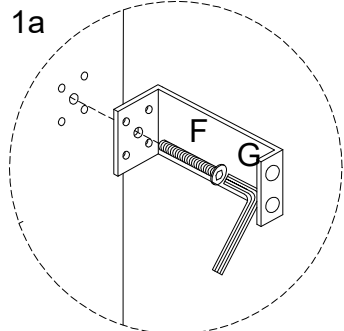
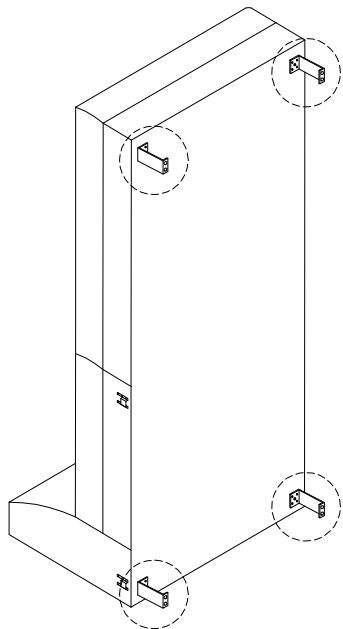
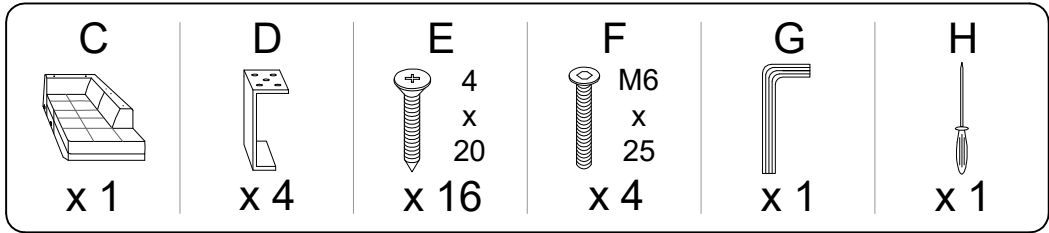
 		
 		

20'

1



1



2

