



1300 Clint St
Carrollton Tx. 75006
214-542-2780

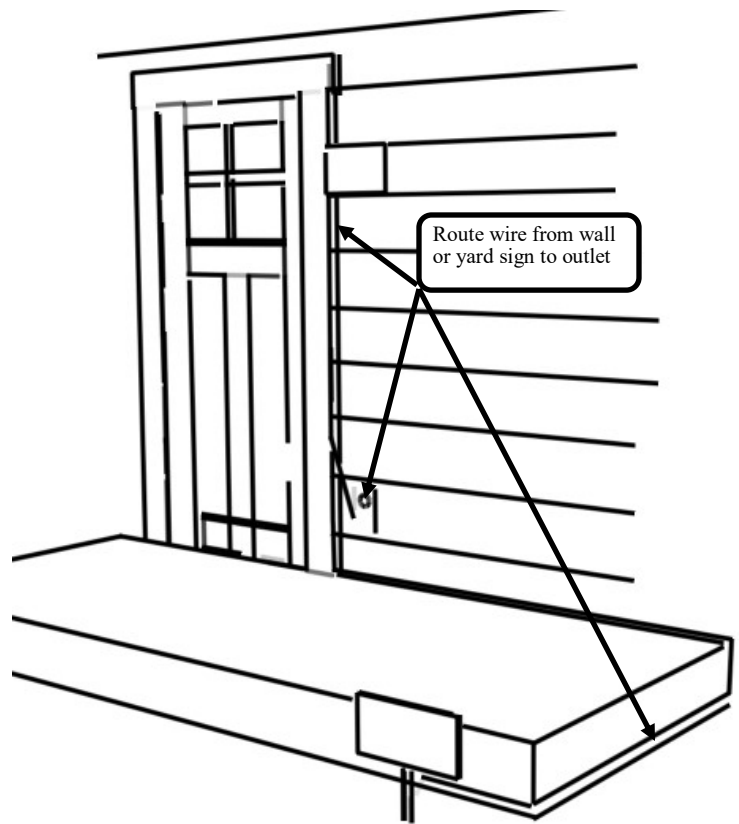
Horizontal 1 and 2 line instructions

Wall mounting instructions

1. For masonry walls drill (2) 3/16" dia. holes in the mortar line using the mounting bracket as a guide for hole locations. Install plastic inserts. For wooded walls drill a (2) 1/8" pilot holes for the mounting screws.
2. Install mounting bracket with #6x 3/4 screws provided for masonry and #6x 1/2 for wooded walls. Semi tighten, level, then tighten screws. For increased security a bead of silicone can be added to wall bracket mounting lip. Hang sign and refer below for power



Plug in transformer— Plug in transformer to sign. Route wire and plug into a dry standard 120v outlet.



Yard installation instructions

1. Install wire yard stake to back of sign using the (4) brackets and (4) #6x 3/8" screws provided (the short ones) in the indentions provided.
2. Insert sign in the ground. Note if ground is extremely hard, moisten with water. Level and refer below for power option you purchased.



1300 Clint St
Carrollton Tx. 75006
214-542-2780

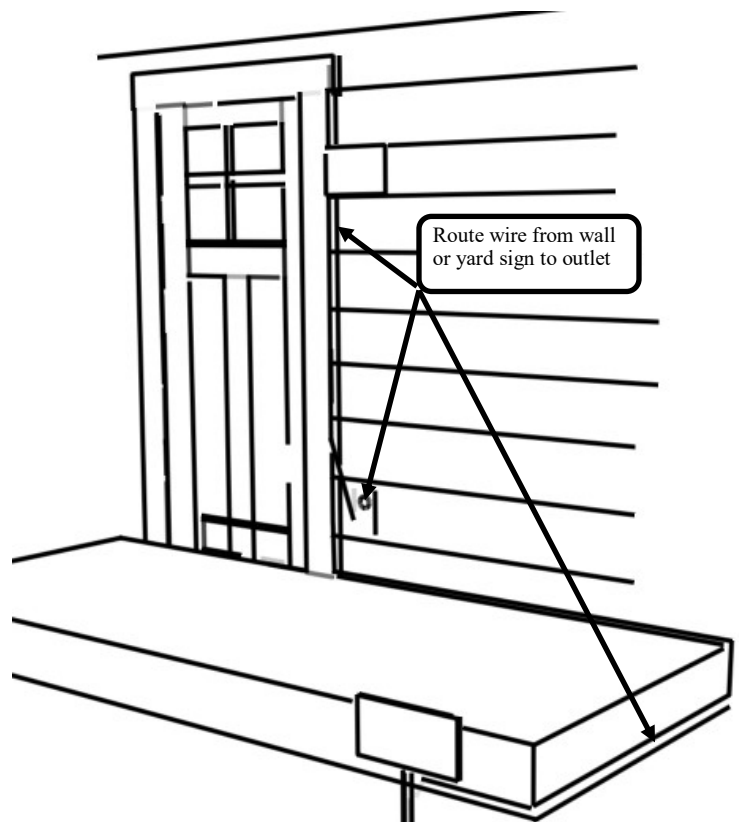
Horizontal 1 and 2 line instructions

Wall mounting instructions

1. For masonry walls drill (2) 3/16" dia. holes in the mortar line using the mounting bracket as a guide for hole locations. Install plastic inserts. For wooded walls drill a (2) 1/8" pilot holes for the mounting screws.
2. Install mounting bracket with #6x 3/4 screws provided for masonry and #6x 1/2 for wooded walls. Semi tighten, level, then tighten screws. For increased security a bead of silicone can be added to wall bracket mounting lip. Hang sign and refer below for power

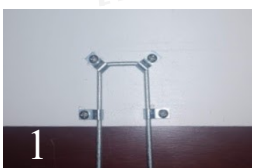


Plug in transformer— Plug in transformer to sign. Route wire and plug into a dry standard 120v outlet.



Yard installation instructions

1. Install wire yard stake to back of sign using the (4) brackets and (4) #6x 3/8" screws provided (the short ones) in the indentions provided.
2. Insert sign in the ground. Note if ground is extremely hard, moisten with water. Level and refer below for power option you purchased.



Horizontal 1 and 2 line instructions Solar panel option

Wall mounting instructions

1. For masonry walls drill (2) 3/16" dia. holes in the mortar line using the mounting bracket as a guide for hole locations. Install plastic inserts. For wooded walls drill a (2) 1/8" pilot holes for the mounting screws.
2. Install mounting bracket with #6x 3/4 screws provided for masonry and #6x 1/2 for wooded walls. Semi tighten, level, then tighten screws. For increased security a bead of silicone can be added to wall bracket mounting lip. Hang sign. and refer below for power instructions.

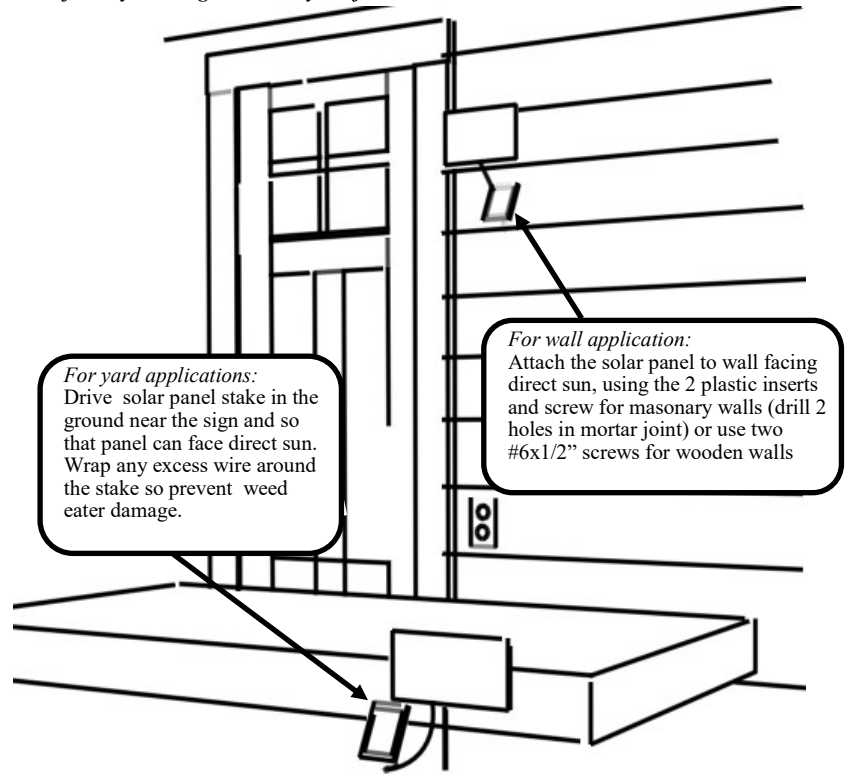


Yard installation instructions

1. Install wire yard stake to back of sign using the (4) brackets and (4) #6x 3/8" screws provided (the short ones) in the indentions provided.
2. Insert sign in the ground. Note if ground is extremely hard, moisten with water. Level and refer below for power option you purchased.



Place solar panel face down on flat surface and press button on the back of panel once for low and twice for high. Low extends battery life. The sign should light up. **Note it may take a full day to charge the battery the first time.**





1300 Clint St
Carrollton Tx. 75006
214-542-2780

Wall mounting instructions

1. For masonry walls drill (2) 3/16" dia. holes in the mortar line using the mounting bracket as a guide for hole locations. Install plastic inserts. For wooded walls drill a (2) 1/8" pilot holes for the mounting screws.
2. Install mounting bracket with #6x 3/4 screws provided for masonry and #6x 1/2 for wooded walls. Semi tighten, level, then tighten screws. For increased security a bead of silicone can be added to wall bracket mounting lip. Hang sign. and refer below for power instructions.



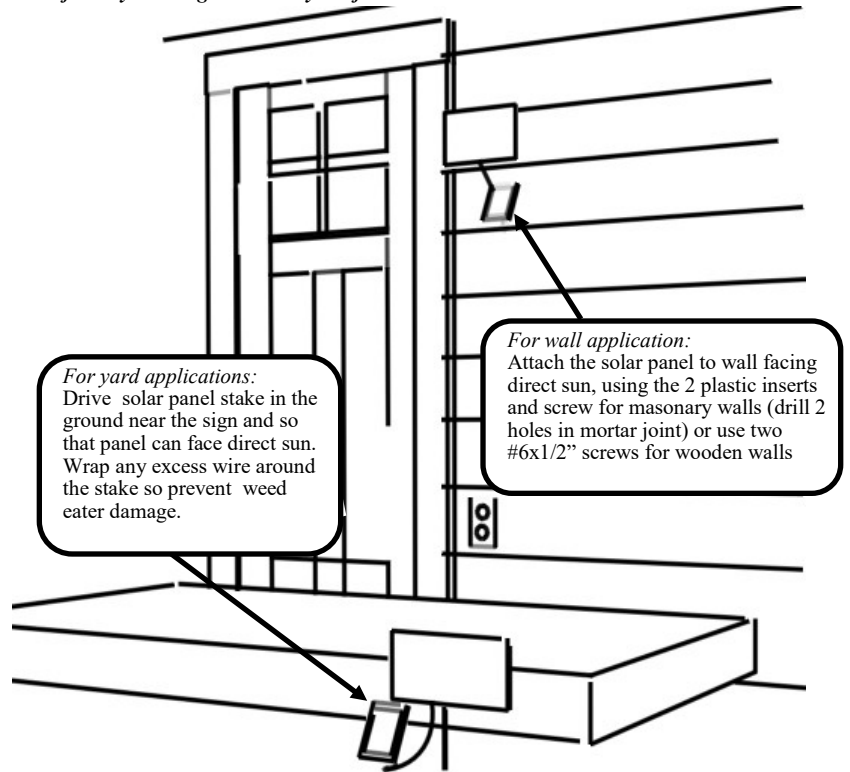
Yard installation instructions

1. Install wire yard stake to back of sign using the (4) brackets and (4) #6x 3/8" screws provided (the short ones) in the indentions provided.
2. Insert sign in the ground. Note if ground is extremely hard, moisten with water. Level and refer below for power option you purchased.



Horizontal 1 and 2 line instructions Solar panel option

Place solar panel face down on flat surface and press button on the back of panel once for low and twice for high. Low extends battery life. The sign should light up. **Note it may take a full day to charge the battery the first time.**



1300 Clint St
Carrollton Tx. 75006
214-542-2780

Wall mounting instructions

1. For masonry walls drill (2) 3/16" dia. holes in the mortar line using the mounting bracket as a guide for hole locations. Install plastic inserts. For wooded walls drill a (2) 1/8" pilot holes for the mounting screws.
2. Install mounting bracket with #6x 3/4 screws provided for masonry and #6x 1/2 for wooded walls. Semi tighten, level, then tighten screws. For increased security a bead of silicone can be added to wall bracket mounting lip. Hang sign. and refer below for power instructions.



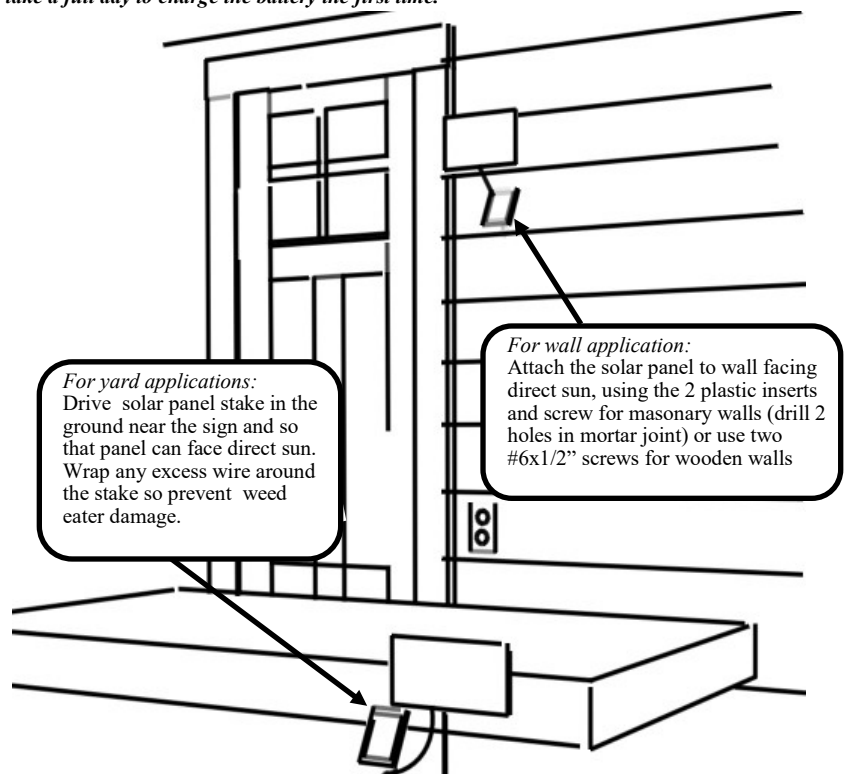
Yard installation instructions

1. Install wire yard stake to back of sign using the (4) brackets and (4) #6x 3/8" screws provided (the short ones) in the indentions provided.
2. Insert sign in the ground. Note if ground is extremely hard, moisten with water. Level and refer below for power option you purchased.



Horizontal 1 and 2 line instructions Solar panel option

Place solar panel face down on flat surface and press button on the back of panel once for low and twice for high. Low extends battery life. The sign should light up. **Note it may take a full day to charge the battery the first time.**

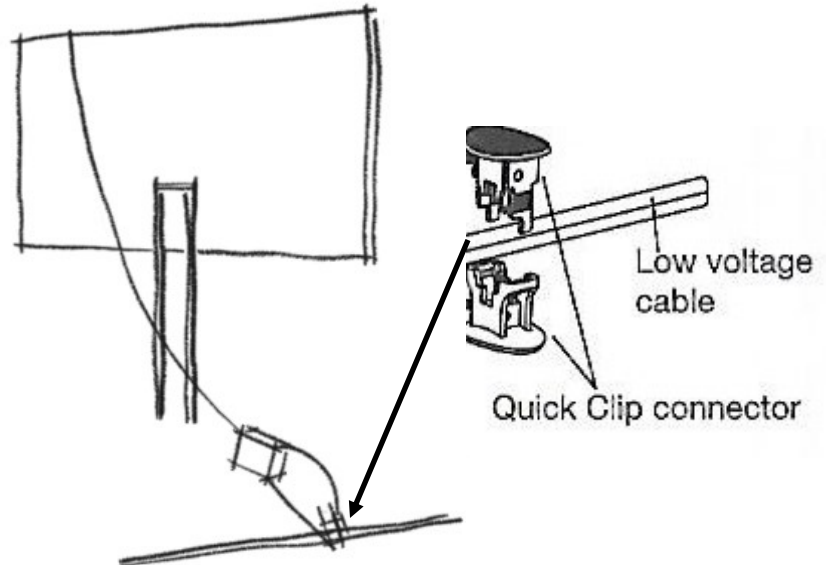


Horizontal 1 and 2 line instructions
Landscape lighting adapter option**Yard installation instructions**

1. Install wire yard stake to back of sign using the (4) brackets and (4) #6x 3/8" screws provided (the short ones) in the indentions provided.
2. Insert sign in the ground. Note if ground is extremely hard, moisten with water. Level and refer below for power option installation.

**Landscape light adapter instructions**

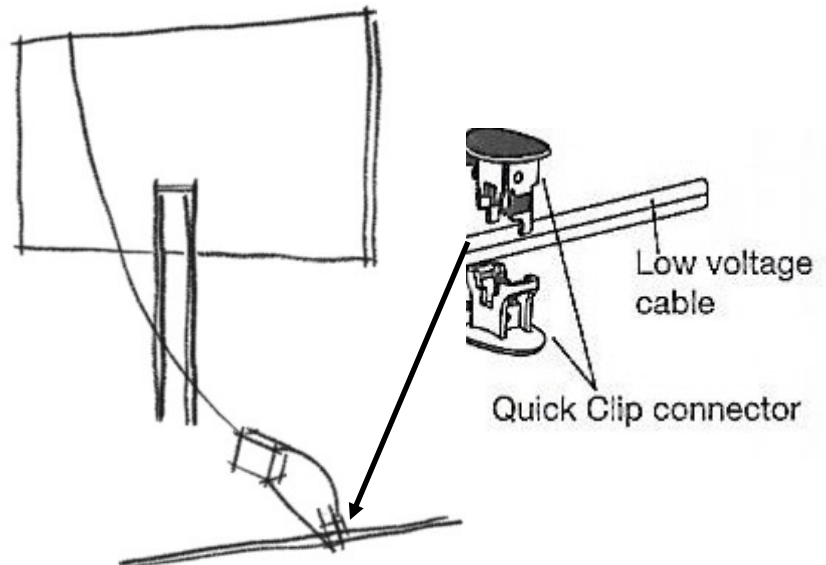
1. Place the wire connectors on opposite sides of your 12vac low voltage cable where the sign will be located.
2. Press the wire connectors together until fully seated and locked around the cable. Preset prongs will pierce the cable insulation and establish contact. Fig 1.
3. Once the connectors are in place, it is recommended to wrap it with electrical tape(not included) for additional protection.

**Horizontal 1 and 2 line instructions**
Landscape lighting adapter option**Yard installation instructions**

1. Install wire yard stake to back of sign using the (4) brackets and (4) #6x 3/8" screws provided (the short ones) in the indentions provided.
2. Insert sign in the ground. Note if ground is extremely hard, moisten with water. Level and refer below for power option installation.

**Landscape light adapter instructions**

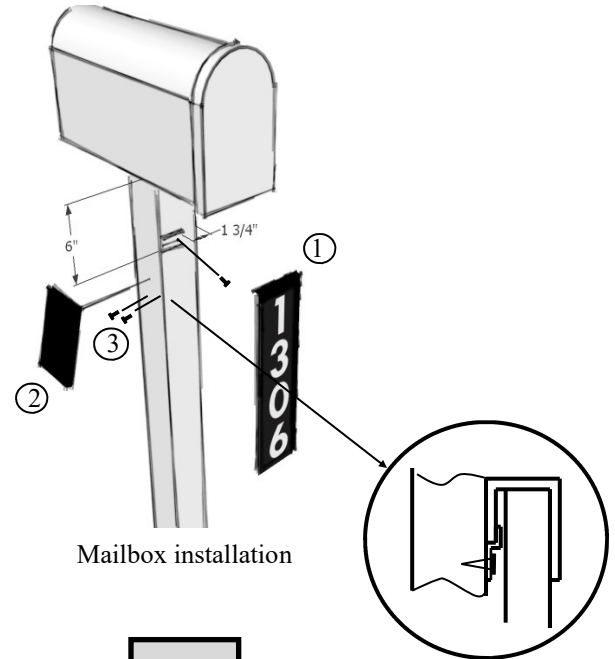
1. Place the wire connectors on opposite sides of your 12vac low voltage cable where the sign will be located.
2. Press the wire connectors together until fully seated and locked around the cable. Preset prongs will pierce the cable insulation and establish contact. Fig 1.
3. Once the connectors are in place, it is recommended to wrap it with electrical tape(not included) for additional protection.



Vertical sign instructions

Mailbox post mount

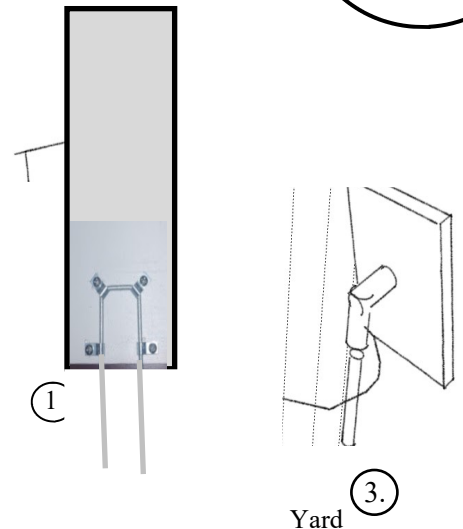
1. Attach mounting bracket to post with the raised lip up and facing out. Locate it 1-3/4" from right side of post and approximately 6" below the mailbox with (2) #6x1/2" screws provided. Hang sign on bracket (see picture). For extra security add a bead of silicone in the bracket groove.
2. Place solar panel face down on flat surface and press button on the back of panel once for low and twice for high. The sign should light up. **Note it may take a full day to charge the battery the first time.**
3. Mount solar panel on post facing the maximum sun exposure with (2) #6x1/2 screws provided. Or (B) Install solar stake in the ground so panel will face max sun and place panel on stake.
5. Route wire and plug in to sign.



Mailbox installation

Yard placement

1. Install wire stake to back of sign in holes provided with 4 brackets and 3/8" screws provided
2. Place solar panel face down on flat surface and press button on the back of panel once for low and twice for high. Low conserves battery life. The sign should light up. **Note it may take a full day to charge the battery the first time.**
3. Drive solar panel stake in ground and attach solar panel facing max sun.
4. Route wire and plug in to sign



Yard

Wall mount vertical sign

1. For **masonry walls** drill (2) 3/16" dia. holes in the mortar line using the mounting bracket as a guide for hole locations. Insert plastic inserts. For **wooded walls** drill a (2) 1/8" pilot holes using mounting bracket as guide for hole locations
2. Install mounting bracket with (2) #6x3/4" screws for masonry or (2) #6x1/2" screws for wood siding provided. Semi tighten, level, then tighten screws. Apply a bead of silicone in bracket groove for extra security and hand sign.

Power Options:

A) **Plug in transformer**—Route wire and plug into a dry standard 120v outlet. Use small nails, staples or silicone to secure wire.

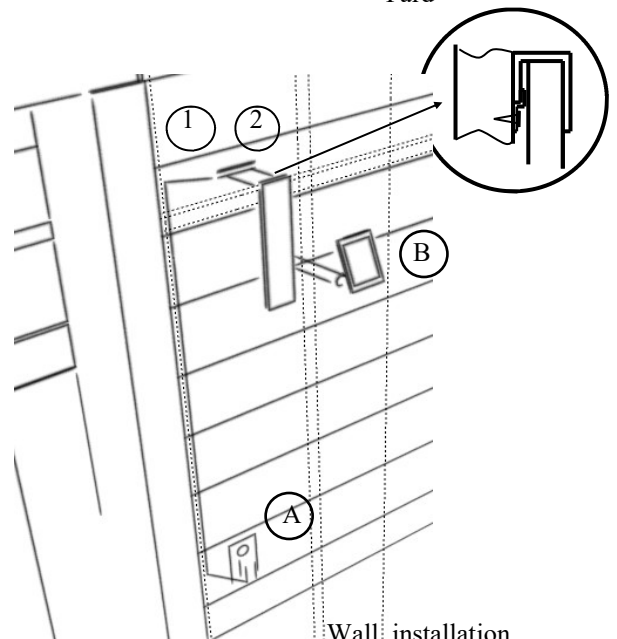
B) **Solar**—(Place solar panel face down on flat surface and press button on the back of panel once for low and twice for high. The sign should light up. **Note it may take a full day to charge the battery the first time.**

1). Attach panel to wall allowing wire to reach sign. Face max sun exposure if possible. .

For **masonry walls** drill (2) 3/16" dia. holes in the mortar line using the panel bracket as a guide for hole locations. Insert plastic inserts.

For **wooded walls** drill a (2) 1/8" pilot holes using panel bracket as guide for hole locations

2). Route wire and plug in to sign



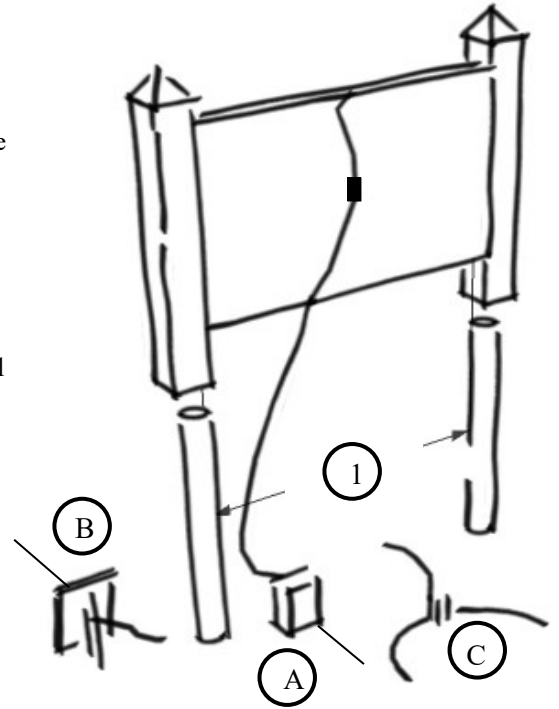
Wall installation



1300 Clint St
Carrollton Tx. 75006
214-542-2780
www.ezstreetsigns.net

Deluxe yard models instructions

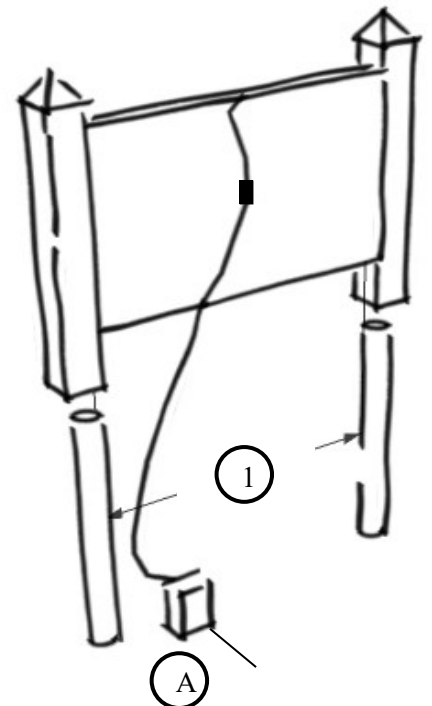
1. Drive stakes in ground using the sign for proper spacing, leaving at least 5" above grade. Place sign over stakes.
2. **Power Options:**
 - A) Plug in transformer—Route wire and plug into a dry standard 120v outlet.
 - B) Solar— (Place solar panel face down on flat surface and press button on the back of panel once for low and twice for high. The sign should light up. Low extends battery life. *Note it may take a full day to charge the battery the first time.*
 - C) Landscape light adapter—
Place sign close to existing landscape lighting system to allow wire to reach existing power line. Place supplied adapter over landscape wire and push to engage adapter to wire.



1300 Clint St
Carrollton Tx. 75006
214-542-2780
www.ezstreetsigns.net

Deluxe yard models instructions

1. Drive stakes in ground using the sign for proper spacing, leaving at least 5" above grade. Place sign over stakes.
2. **Power Options:**
 - A) Plug in transformer— Route wire and plug into a dry standard 120v outlet.





1300 Clint St
Carrollton Tx. 75006
214-542-2780
www.ezstreetsigns.net

Plug in Wall mount 1 and 2 line sign

1. For masonry walls drill (2) 3/16" dia, holes in the mortar line using the mounting bracket as a guide for hole locations. In stall plastic inserts. For wooded walls drill a (2) 1/8" pilot holes for the mounting screws.
2. Install mounting bracket with screws provided semi tight, level then tighten screws. Hang sign.

Power Options:

A) *Plug in transformer*— Plug in transformer to sign. Route wire and plug into a dry standard 120v outlet.



1300 Clint St
Carrollton Tx. 75006
214-542-2780
www.ezstreetsigns.net

Plug in Wall mount 1 and 2 line sign

1. For masonry walls drill (2) 3/16" dia, holes in the mortar line using the mounting bracket as a guide for hole locations. In stall plastic inserts. For wooded walls drill a (2) 1/8" pilot holes for the mounting screws.
2. Install mounting bracket with screws provided semi tight, level then tighten screws. Hang sign.

Power Options:

A) *Plug in transformer*— Plug in transformer to sign. Route wire and plug into a dry standard 120v outlet.





1300 Clint St
Carrollton Tx. 75006
214-542-2780
www.ezstreetsigns.net

Wall mount 1 and 2 line sign

1. For masonry walls drill (2) 3/16" dia, holes in the mortar line using the mounting bracket as a guide for hole locations. In stall plastic inserts. For wooded walls drill a (2) 1/8" pilot holes for the mounting screws.
2. Install mounting bracket with screws provided semi tight, level then tighten screws. Hang sign.

Power Options:

- A) Plug in transformer– Plug in transformer to sign. Route wire and plug into a dry standard 120v outlet.
- B) Solar- Attach panel to wall with screws provided. Face max sun exposure. Plug in solar panel to sign.

Note it may take a full day to charge the battery the first time.



1300 Clint St
Carrollton Tx. 75006
214-542-2780
www.ezstreetsigns.net

Wall mount 1 and 2 line sign

1. For masonry walls drill (2) 3/16" dia, holes in the mortar line using the mounting bracket as a guide for hole locations. In stall plastic inserts. For wooded walls drill a (2) 1/8" pilot holes for the mounting screws.
2. Install mounting bracket with screws provided semi tight, level then tighten screws. Hang sign.

Power Options:

- A) Plug in transformer– Plug in transformer to sign. Route wire and plug into a dry standard 120v outlet.
- B) Solar- Attach panel to wall with screws provided. Face max sun exposure. Plug in solar panel to sign.

Note it may take a full day to charge the battery the first time.



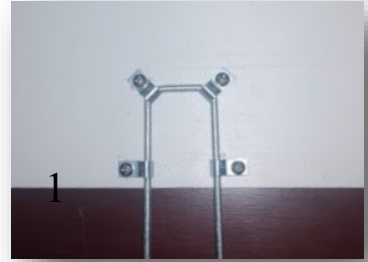


1300 Clint St
Carrollton Tx. 75006
214-542-2780
www.ezstreetsigns.net

1 and 2 line sign yard installation instructions

1. Install wire yard stake to back of sign using the (4) brackets and (4) #6x 3/8" screws provided.
2. Insert sign in the ground. Note if ground is extremely hard, moisten with water. Level and refer below for power option you purchased.

Power option Landscape lighting adapter- Install adapter wire to existing 12v ac landscape lighting system.



1300 Clint St
Carrollton Tx. 75006
214-542-2780
www.ezstreetsigns.net

1 and 2 line sign yard installation instructions

1. Install wire yard stake to back of sign using the (4) brackets and (4) #6x 3/8" screws provided.
2. Insert sign in the ground. Note if ground is extremely hard, moisten with water. Level and refer below for power option you purchased.

Power option Landscape lighting adapter- Install adapter wire to existing 12v ac landscape lighting system.





1300 Clint St
Carrollton Tx. 75006
214-542-2780
www.ezstreetsigns.net

Landscape lighting connection

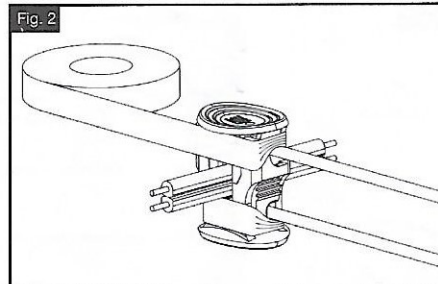
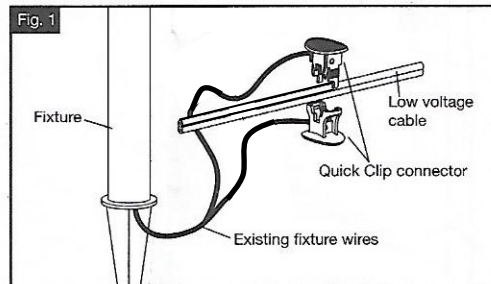
WARNING: Risk of Electric Shock. Install 10 feet or more from a pool, spa or fountain. Be protected by routing in close proximity to the luminaire or fitting or next to a building structure such as a house or deck; Not to be buried except for a maximum 6 inches in order to connect the main low voltage cable; and have the length cut off so that it is connected to a connector within 6 inches from a building structure, a luminaire or fitting.

FOR USE WITH LANDSCAPE LIGHTING SYSTEMS ONLY

THIS DEVICE IS ACCEPTED AS A COMPONENT OF A LANDSCAPE LIGHTING SYSTEM WHERE THE SUITABILITY OF THE COMBINATION SHALL BE DETERMINED BY CSA OR LOCAL INSPECTION AUTHORITIES HAVING JURISDICTION

EASY TO INSTALL

1. The Quick Clip connector replaces existing connectors and allows installation anywhere along the low voltage cable.
- 2.
3. Place the wire connector on opposite sides of the low voltage cable where the fixture will be located. (Fig. 1)
4. Press the wire connector together until fully seated and locked around the cable. Pre-set prongs will pierce the cable insulation and establish contact.
5. Once the connector is in place, it is recommended to wrap it with electrical tape (not included) for additional protection. (Fig. 2)



Additional wire can be purchased at your local hardware retailer.



1300 Clint St
Carrollton Tx. 75006
214-542-2780
www.ezstreetsigns.net

Landscape lighting connection

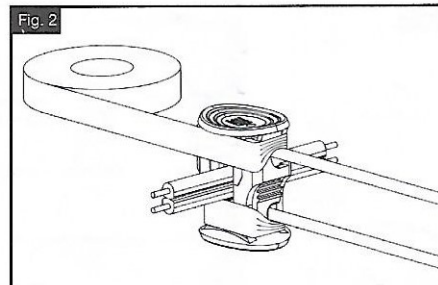
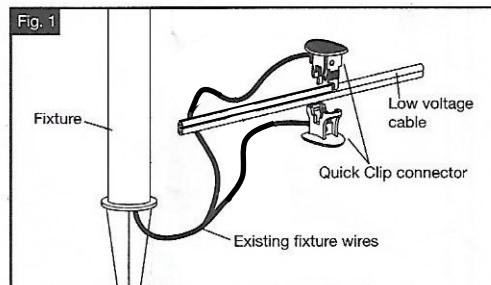
WARNING: Risk of Electric Shock. Install 10 feet or more from a pool, spa or fountain. Be protected by routing in close proximity to the luminaire or fitting or next to a building structure such as a house or deck; Not to be buried except for a maximum 6 inches in order to connect the main low voltage cable; and have the length cut off so that it is connected to a connector within 6 inches from a building structure, a luminaire or fitting.

FOR USE WITH LANDSCAPE LIGHTING SYSTEMS ONLY

THIS DEVICE IS ACCEPTED AS A COMPONENT OF A LANDSCAPE LIGHTING SYSTEM WHERE THE SUITABILITY OF THE COMBINATION SHALL BE DETERMINED BY CSA OR LOCAL INSPECTION AUTHORITIES HAVING JURISDICTION

EASY TO INSTALL

1. The Quick Clip connector replaces existing connectors and allows installation anywhere along the low voltage cable.
- 2.
3. Place the wire connector on opposite sides of the low voltage cable where the fixture will be located. (Fig. 1)
4. Press the wire connector together until fully seated and locked around the cable. Pre-set prongs will pierce the cable insulation and establish contact.
5. Once the connector is in place, it is recommended to wrap it with electrical tape (not included) for additional protection. (Fig. 2)



Additional wire can be purchased at your local hardware retailer.



1300 Clint St
Carrollton Tx. 75006
214-542-2780
www.ezstreetsigns.net

Yard mount 1 and 2 line sign

1. Drive stake in ground stake so sign is visible from the street,
2. Attach sign to stake with screws provided.

3. **Power Options:**

A) Plug in transformer-

Plug in transformer to sign. Route wire and plug into a dry standard 120v outlet.

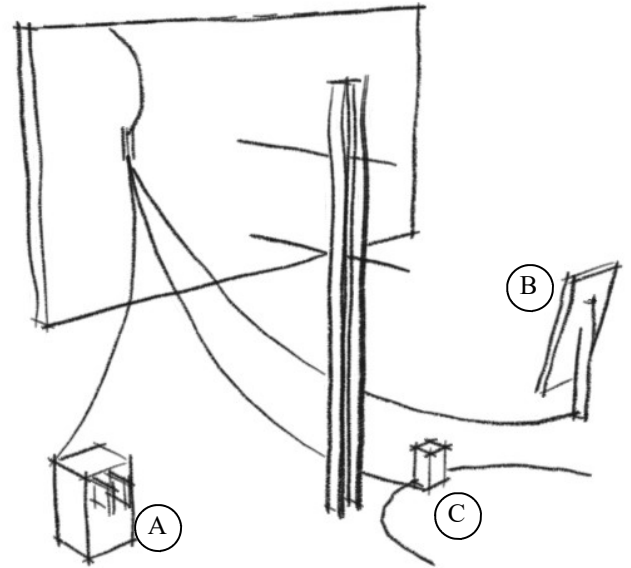
B) Solar-

Drive solar panel stake provided. Face panel for max sun Exposure. Plug in solar panel into sign.

Note it may take a full day to charge the battery the first time.

C) Landscape light adapter-

Place sign close to existing landscape lighting system. Place supplied adapter over landscape wire and push to engage adapter to wire. Plug in adapter wire to sign



1300 Clint St
Carrollton Tx. 75006
214-542-2780
www.ezstreetsigns.net

Yard mount 1 and 2 line sign

1. Drive stake in ground stake so sign is visible from the street,
2. Attach sign to stake with screws provided.

3. **Power Options:**

A) Plug in transformer-

Plug in transformer to sign. Route wire and plug into a dry standard 120v outlet.

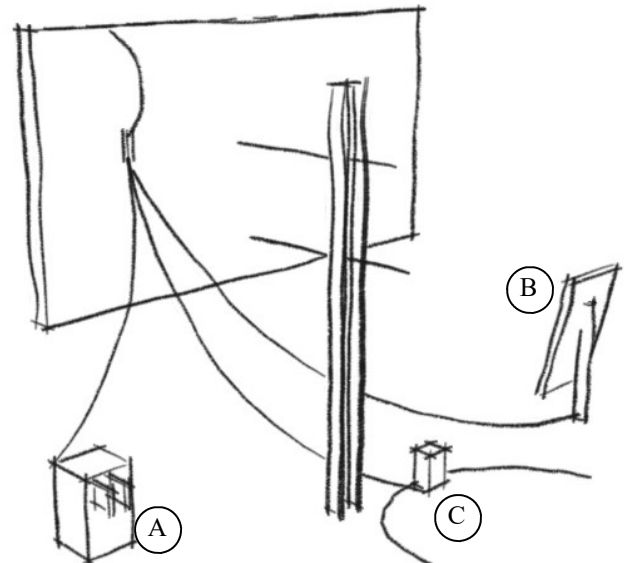
B) Solar-

Drive solar panel stake provided. Face panel for max sun Exposure. Plug in solar panel into sign.

Note it may take a full day to charge the battery the first time.

C) Landscape light adapter-

Place sign close to existing landscape lighting system. Place supplied adapter over landscape wire and push to engage adapter to wire. Plug in adapter wire to sign



1300 Clint St
 Carrollton Tx. 75006
 214-542-2780
 Www.ezstreetsigns.net

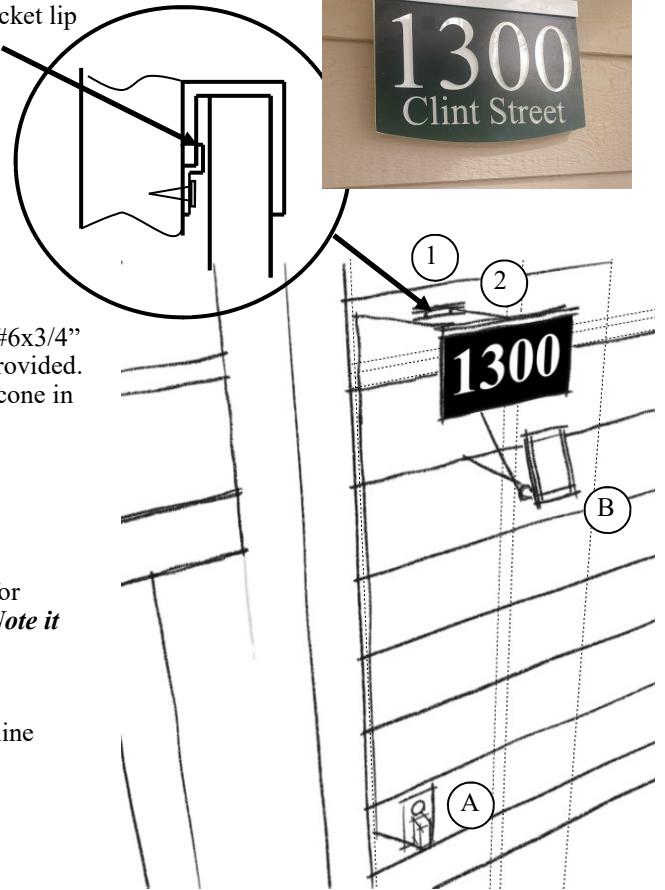
Wall mount 1 and 2 line sign

- For **masonry walls** drill (2) 3/16" dia. holes in the mortar line using the mounting bracket as a guide for hole locations. Insert plastic inserts.
 For **wooded walls** drill a (2) 1/8" pilot holes using mounting bracket as guide for hole locations
- Install mounting bracket with lip facing up and top, with (2) #6x3/4" screws for masonry or (2) #6x1/2" screws for wood siding provided. Semi tighten, level, then tighten screws. Apply a bead of silicone in bracket lip for extra security and hang sign on lip provided.

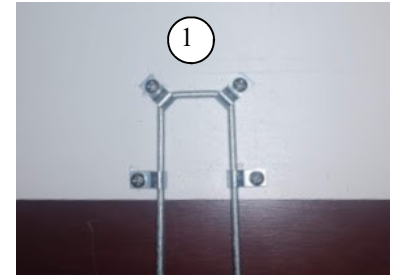
Power Options:

- Plug in transformer**—Route wire and plug into a dry standard 120v outlet. Use small nails, staples or silicone to secure wire.
- Solar**— (Place solar panel face down on flat surface and press button on the back of panel once for low and twice for high. Low extends battery life The sign should light up. **Note it may take a full day to charge the battery the first time.**
 - Attach panel to wall allowing wire to reach sign. Face max sun exposure if possible.
 - For **masonry walls** drill (2) 3/16" dia. holes in the mortar line using the panel bracket as a guide for hole locations. Insert plastic inserts.
 - For **wooded walls** drill a (2) 1/8" pilot holes using panel bracket as guide for hole locations
 - Route wire and plug in to sign

Mount bracket lip facing up



Yard mount 1 and 2 line sign

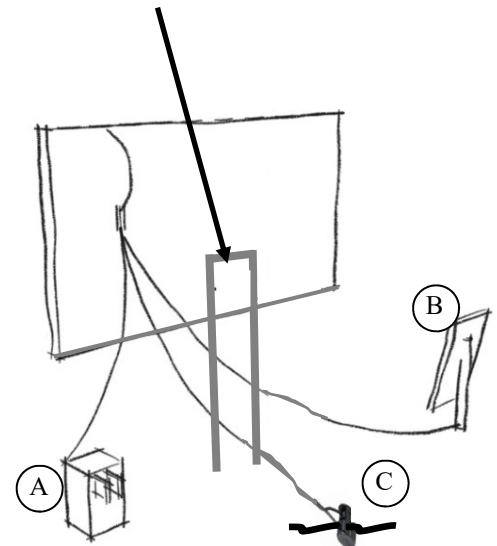


Install wire stake with screws provided

- Install wire stake to back of sign with (4) short screws in holes provided. Do not over tighten. Insert sign stake in ground with numbers facing the street, in a level position both side to side and front to back position. If ground is dry apply a little water to soften.

2. Power Options: power option ordered is circled below

- Plug in transformer**—Route wire and plug into a dry standard 120v outlet.
- Solar**— (Place solar panel face down on flat surface and press button on the back of panel once for low and twice for high. Low extends battery life. The sign should light up. **Note it may take a full day to charge the battery the first time.** Drive solar panel stake provided in ground to allow wire to reach sign. Face panel for max sun exposure. Plug in solar panel into sign.
- Landscape light adapter**— **this option is intended for yard installation only**
 Place sign close to existing landscape lighting system to allow wire to reach existing power line. Install existing landscape lighting cable vertically between the 2 adapter parts in the slot provided and press firmly together to connect to existing cable. The sign will be controlled by your landscape light transformer.





1300 Clint St
Carrollton Tx. 75006
214-542-2780
www.ezstreetsigns.net

1) Enclosed is a new transformer and light strip. Please unplug your existing transformer and plug in the new one. Be sure to install the plug correctly so the red and black wires are aligned.

2) If the light does not come on after the new transformer is installed it will be necessary to change out the light strip also. To do so unplug the unit, remove the 2 screws on the top of the unit and remove the LED strip under the lens. Start at one end and peel the strip out. Once removed reinstall the new strip. It is not necessary to remove the green adhesive covering. Slide the new strip under the lens and align it. Once installed replace the screws and plug in.

If the unit does not work or if there is an issue replacing the LED strip please contact us at email listed above.

Thank you and we sorry for any inconvenience.



1300 Clint St
Carrollton Tx. 75006
214-542-2780
www.ezstreetsigns.net

1) Enclosed is a new transformer and light strip. Please unplug your existing transformer and plug in the new one. Be sure to install the plug correctly so the red and black wires are aligned.

2) If the light does not come on after the new transformer is installed it will be necessary to change out the light strip also. To do so unplug the unit, remove the 2 screws on the top of the unit and remove the LED strip under the lens. Start at one end and peel the strip out. Once removed reinstall the new strip. It is not necessary to remove the green adhesive covering. Slide the new strip under the lens and align it. Once installed replace the screws and plug in.

If the unit does not work or if there is an issue replacing the LED strip please contact us at email listed above.

Thank you and we sorry for any inconvenience.