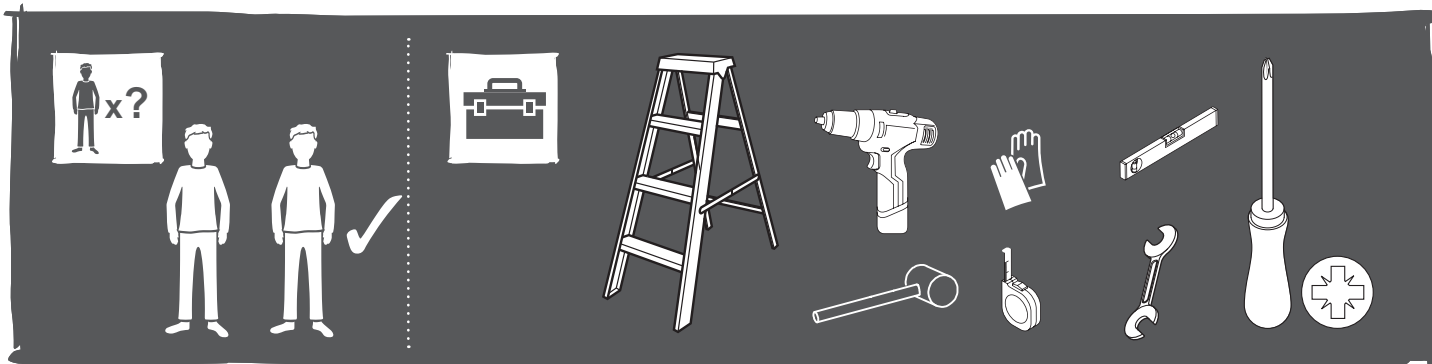

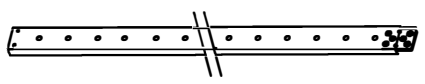

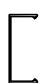


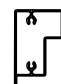
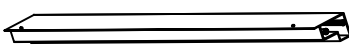

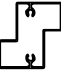
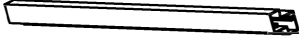
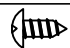
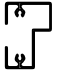
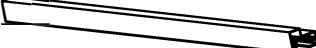





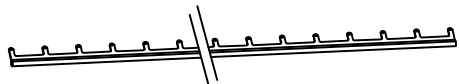
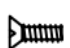

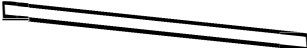
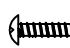










Alu. turnover louvered wall



A		 2 pcs	III	5		4 pcs	
B		 2 pcs		6		4 pcs	
C		 1 pcs		IV	7		4 pcs
D		 1 pcs			8	 st4. 2x10	4 pcs
E		 1 pcs	9		 st4. 8x20	8 pcs	
F		 30 pcs	V	10	 st4. 8x40	4 pcs	
G		 2 pcs		11	 M5x12	6 pcs	
H		 6 pcs	VI	12	 st2.2x14	30 pcs	
I	1	 2 pcs		VII	13		2 pcs
	2	 4 pcs			14	 st4.2x16	4 pcs
	3	 4 pcs		VII	15	 st4.2x25	2pcs for 90cm 3pcs for 123cm
II	4	 60 pcs	16		 st4.2x38	2 pcs	



EN Installation

01



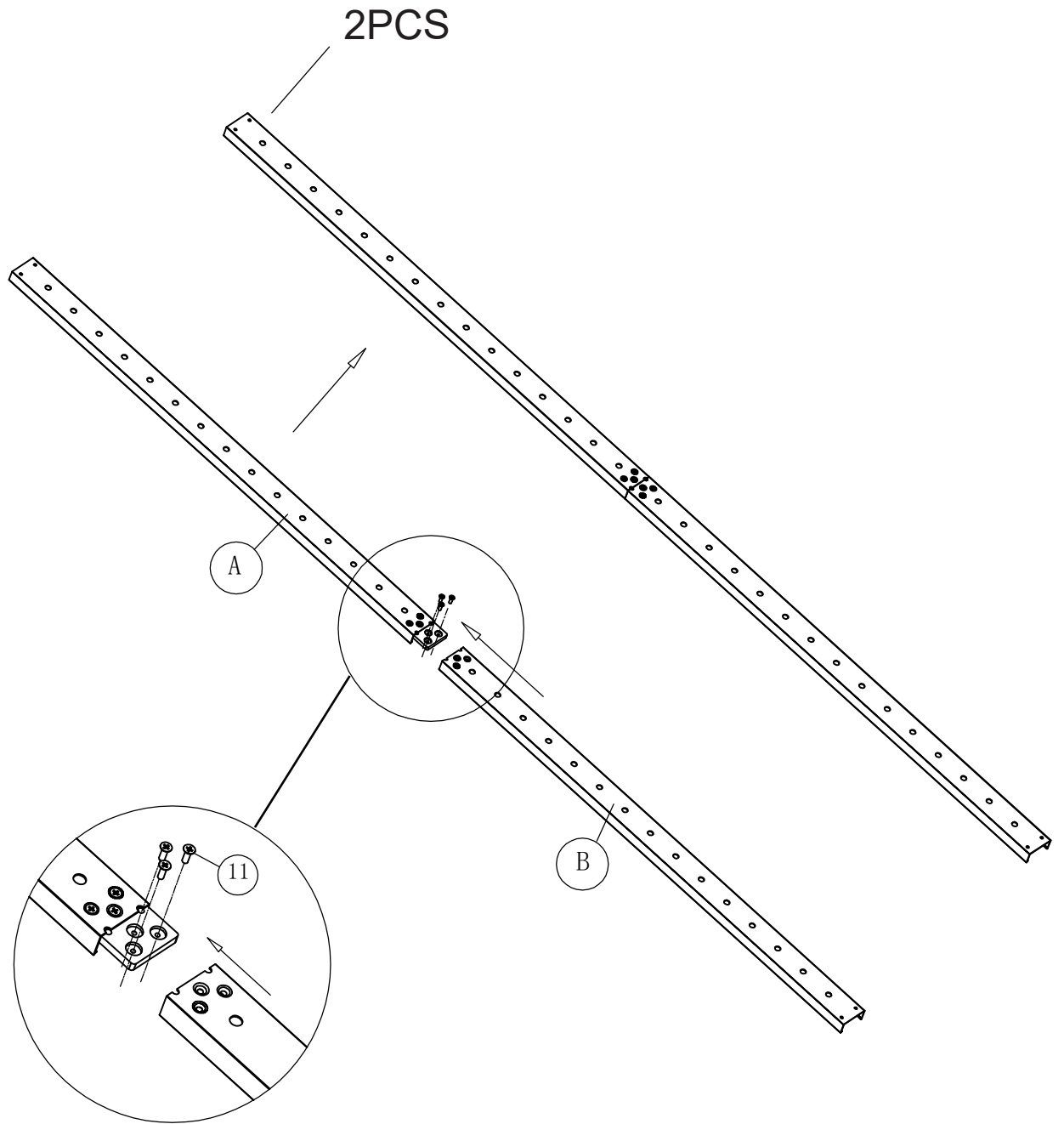
A x2



B x2

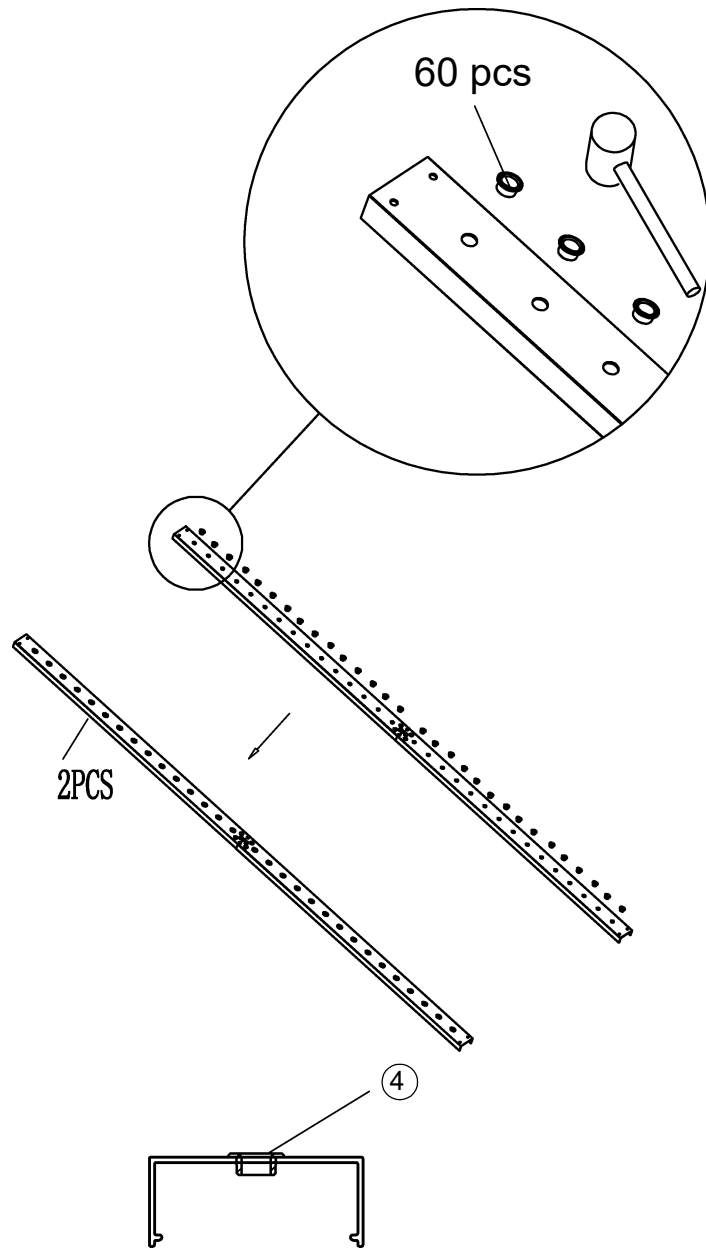
⌀ M5x12

11 x6



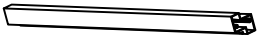
02

④ x60



Tips:
When installing the sleeve④, it must be attached to the frame. Make sure it is flat and not wrapped.

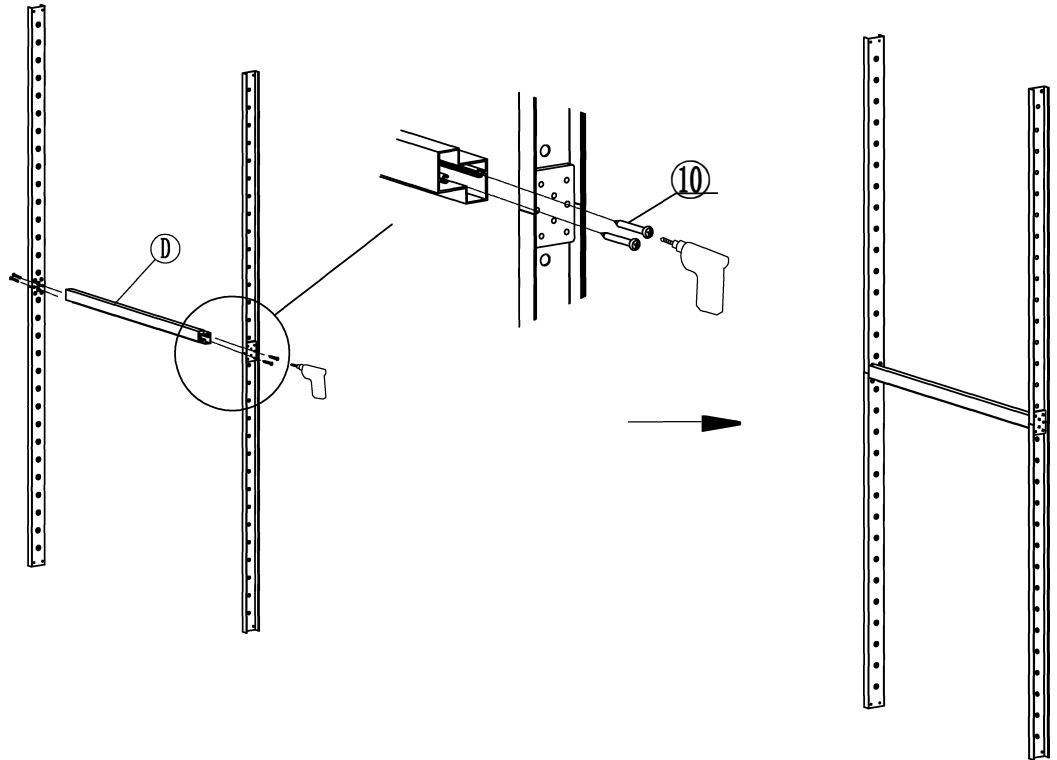
03



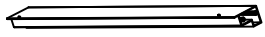
D x1

st4.8x40

10 x4



04



C x1



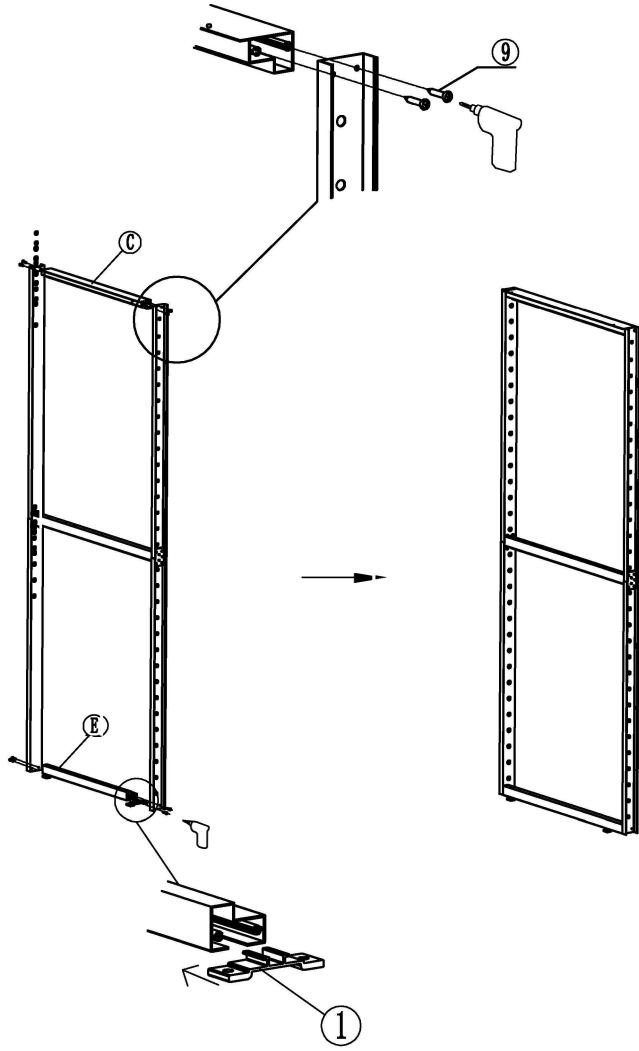
E x1



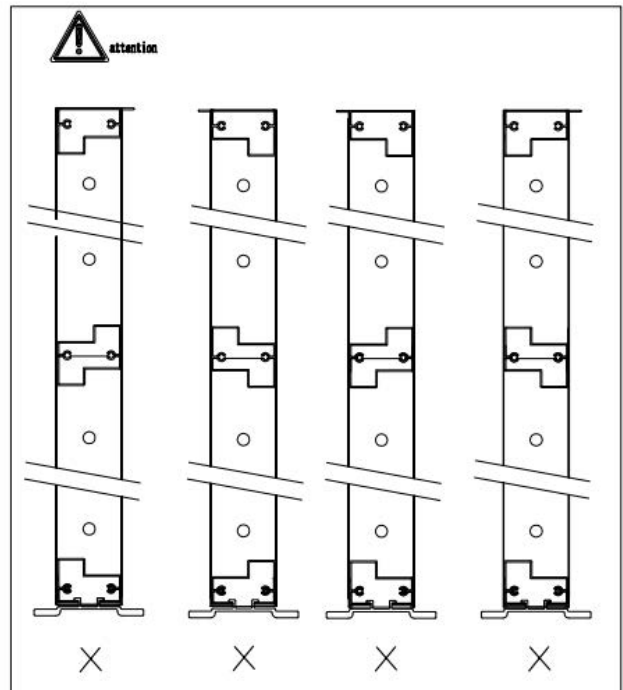
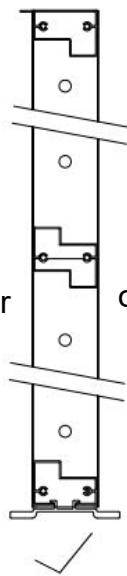
1 x2

st4.8x20

9 x8



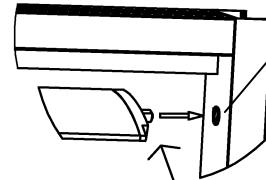
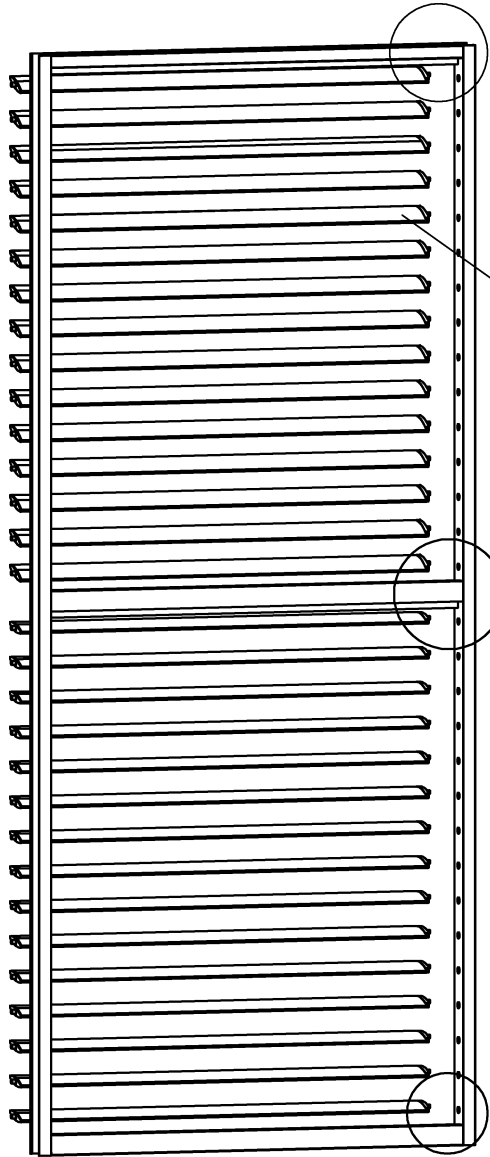
in door out door



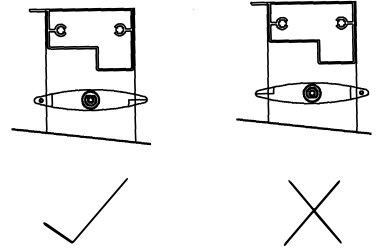
05



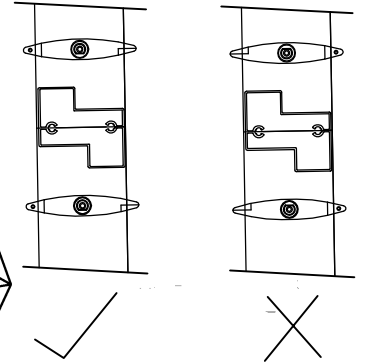
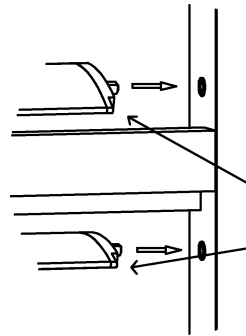
F x30



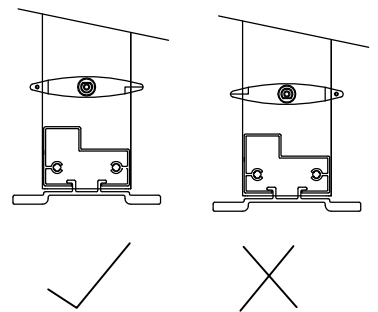
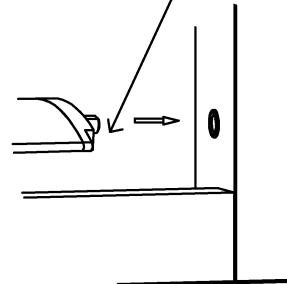
Insert the fixed shaft end of the louver into the shaft hole of side beam first



F

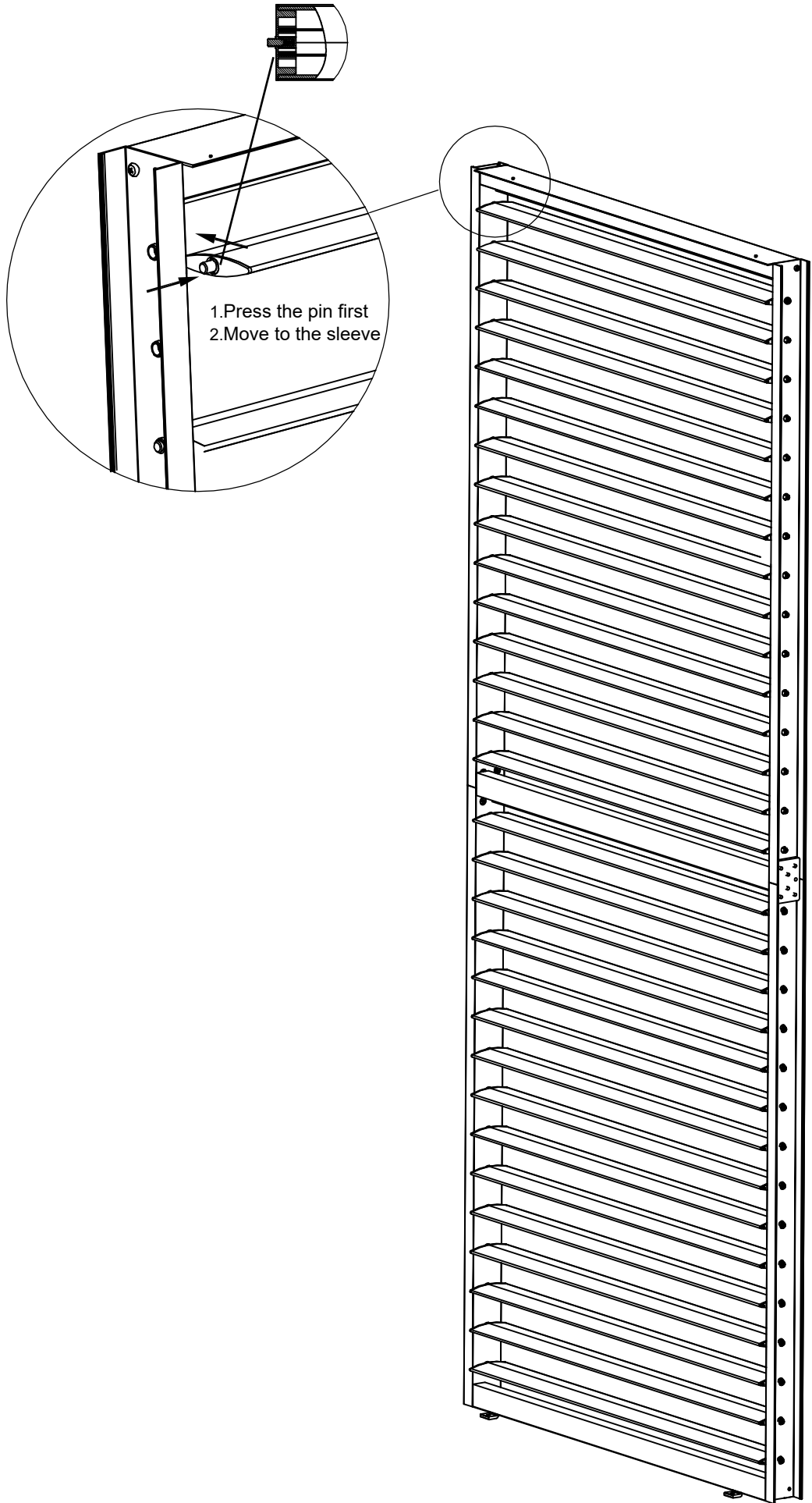


TIPS: WHEN INSTALL THESE 4 LOUVERS, PLEASE PAY ATTENTION TO THE DIRECTION OF THE SCREW HOLE OF THE COVER TO FACILITATE THE INSTALLATION OF THE CONNECTING ROD.



06

Spring retractable inside the shaft



07



5 x4



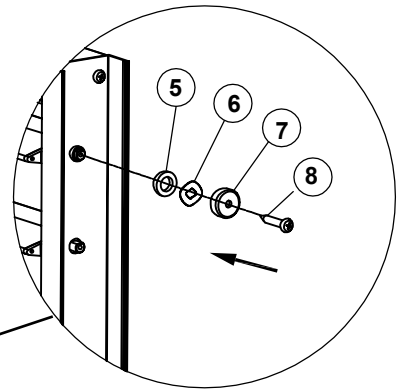
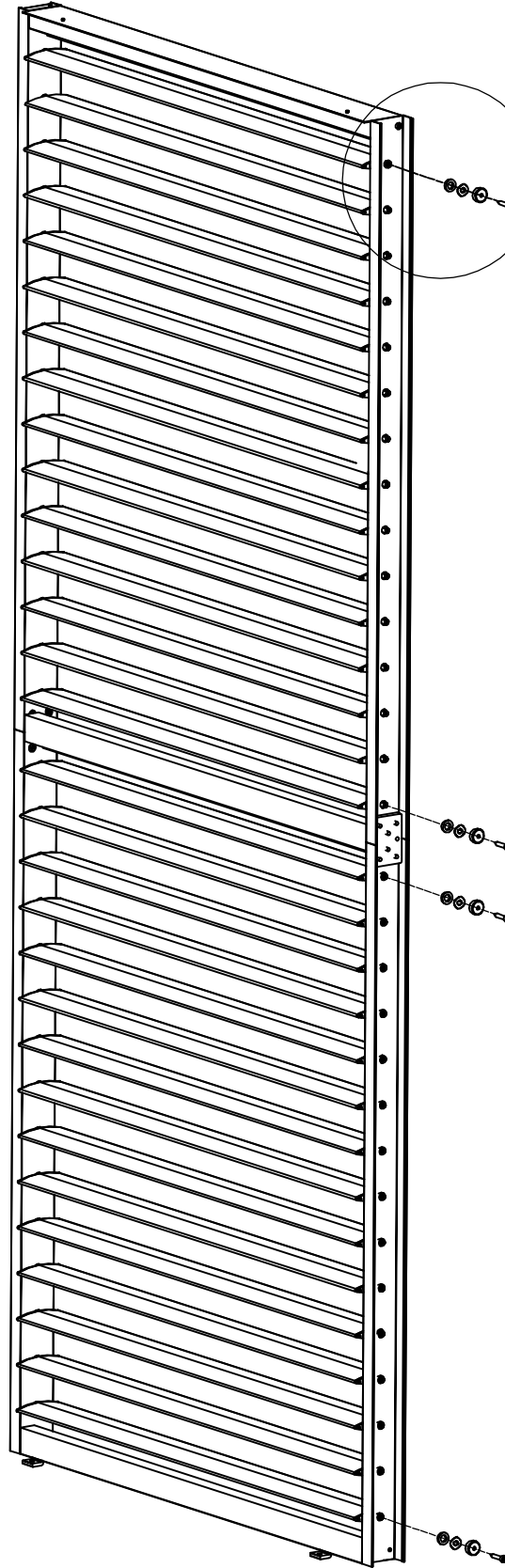
6 x4



7 x4

st4. 2x10

8 x4



NOTE:
WHEN INSTALLING THE
DAMPING DEVICE, THE
TIGHTNESS OF THIS SCREW
NEEDS TO BE ADJUSTED
DURING INSTALLATION, SO AS
TO AVIOD THE SITUATION THAT
THE LOUVER DOES NOT
ROTATE DUE TO THE INCREASE
OF THE DAMPING.

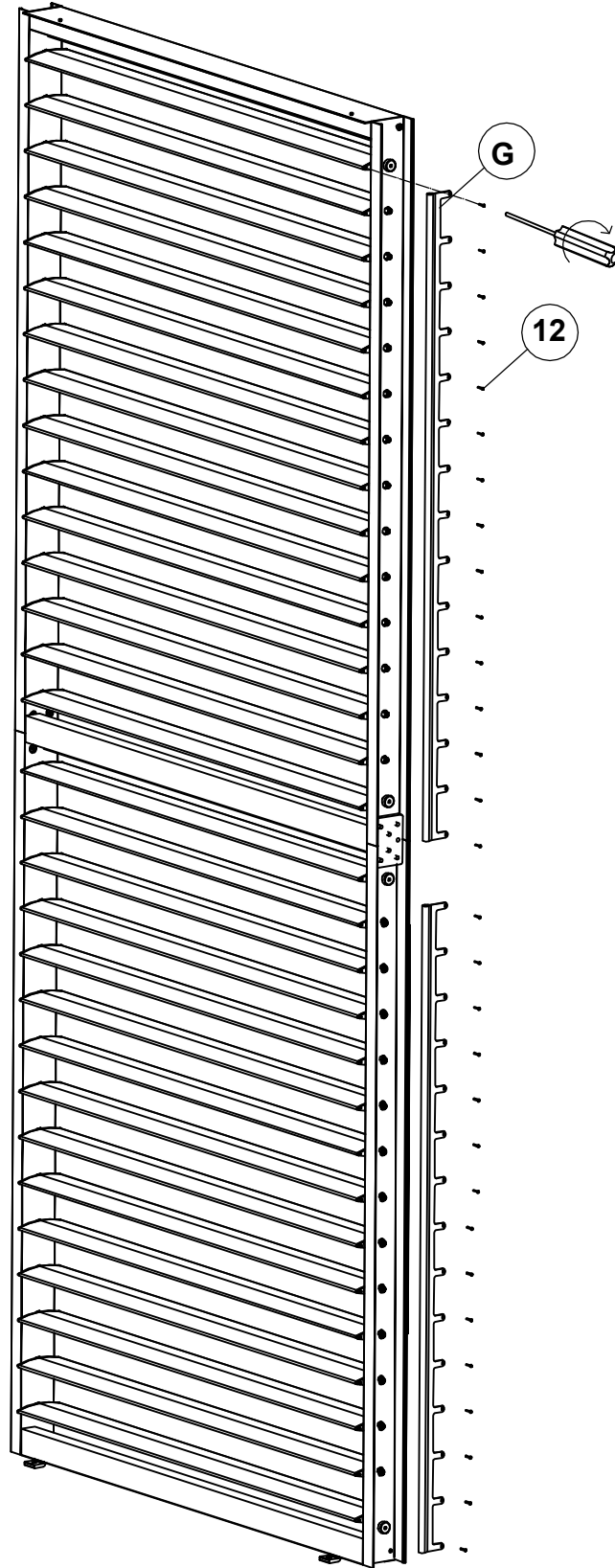
08



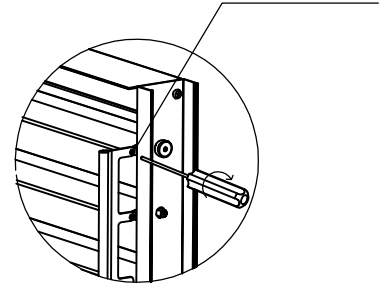
G x2

st2.2x14

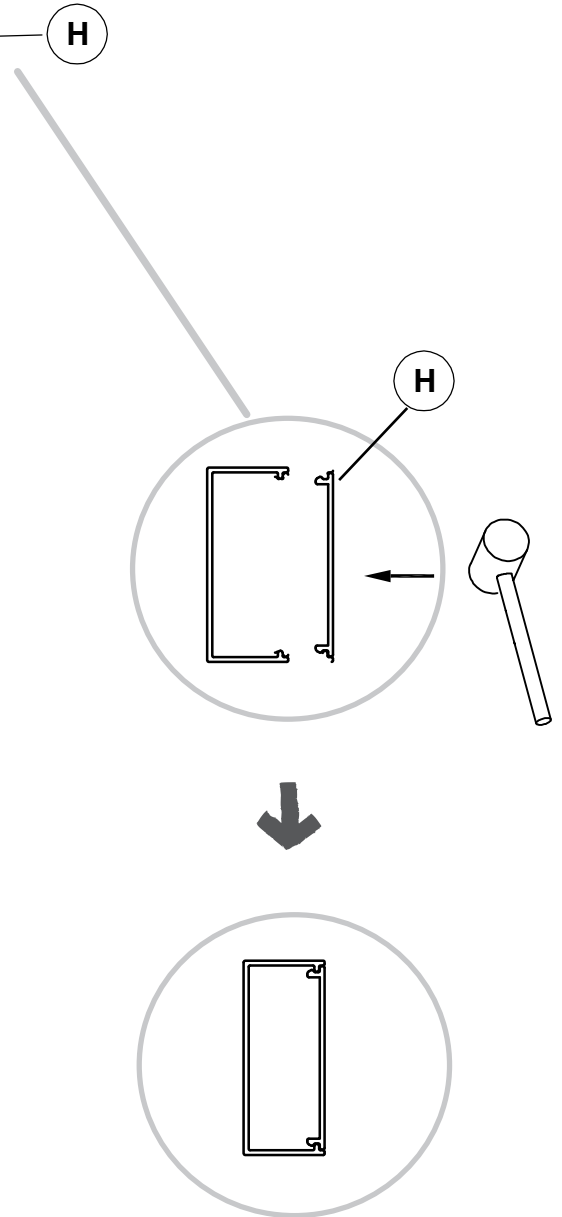
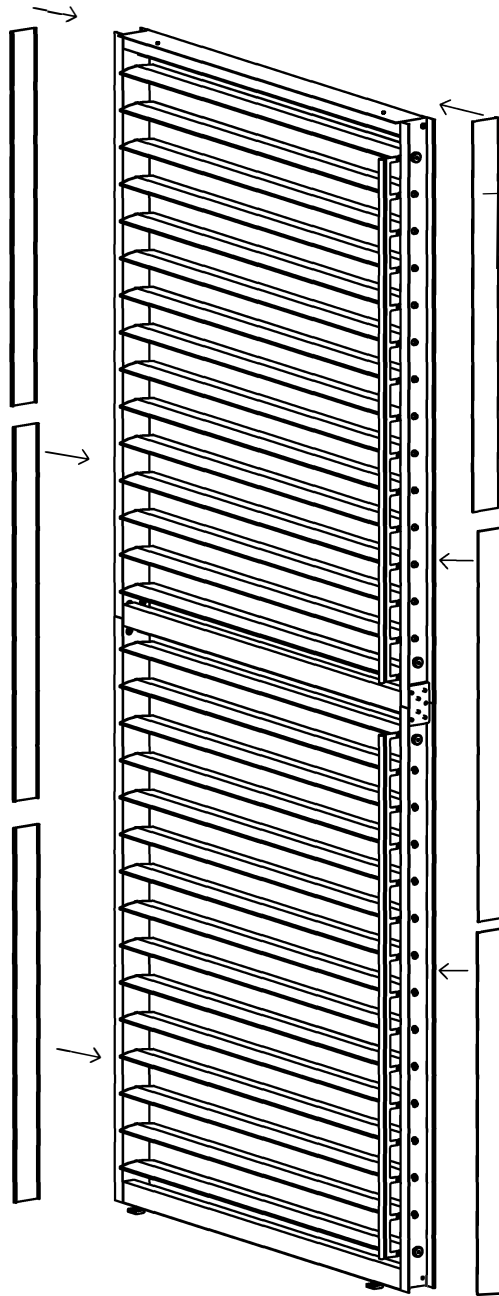
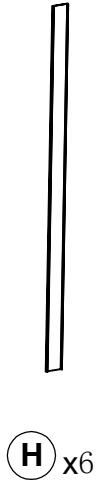
12 x30



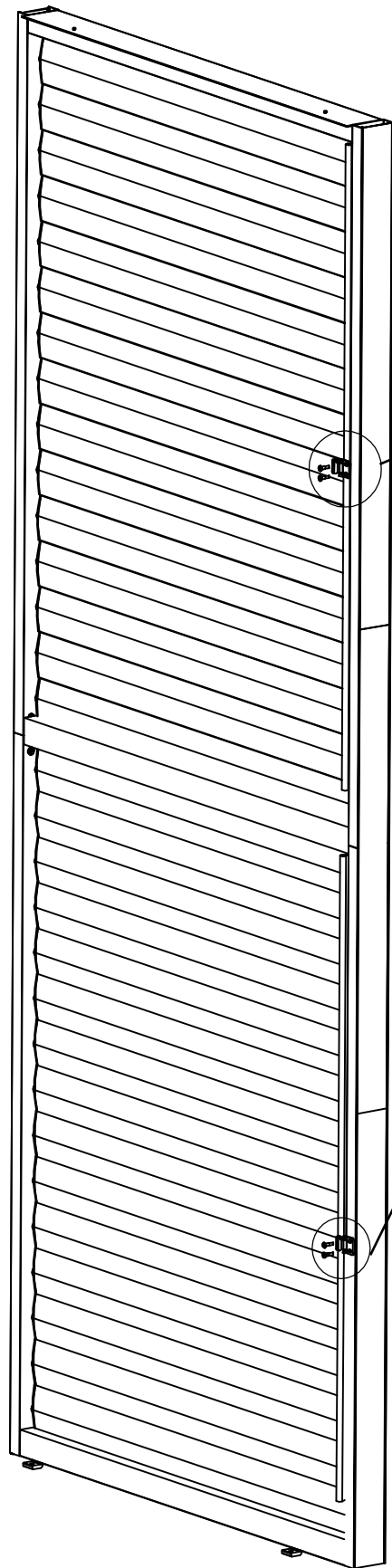
! DO NOT OVERTIGHTEN THE SCREW OR THE LOUVERS MAY NOT WORK SMOOTHLY.



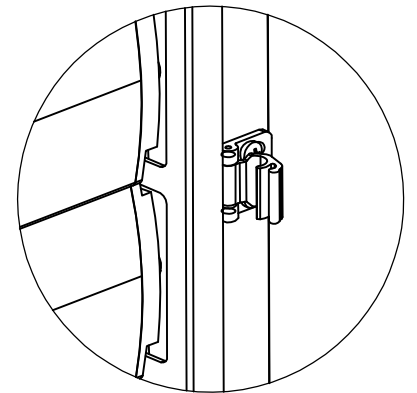
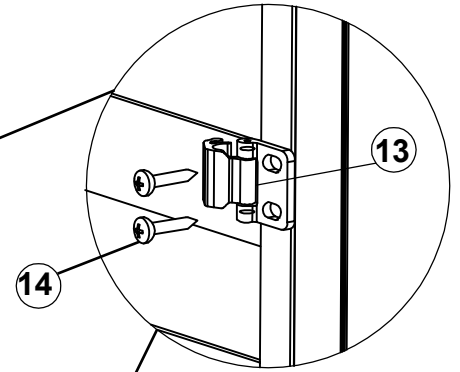
09



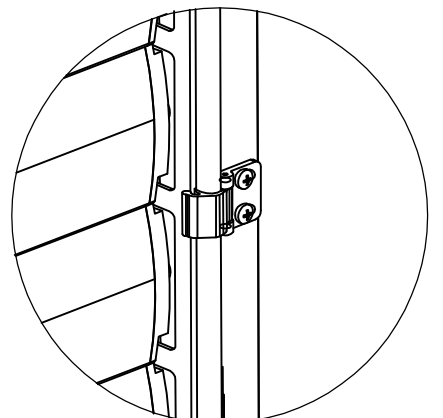
10



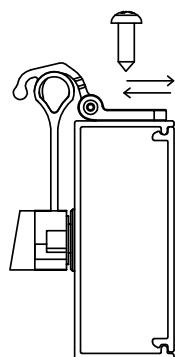
Close the louver when install the locker



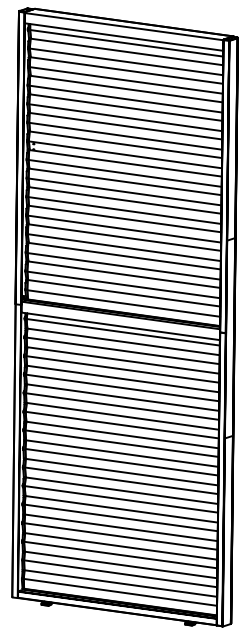
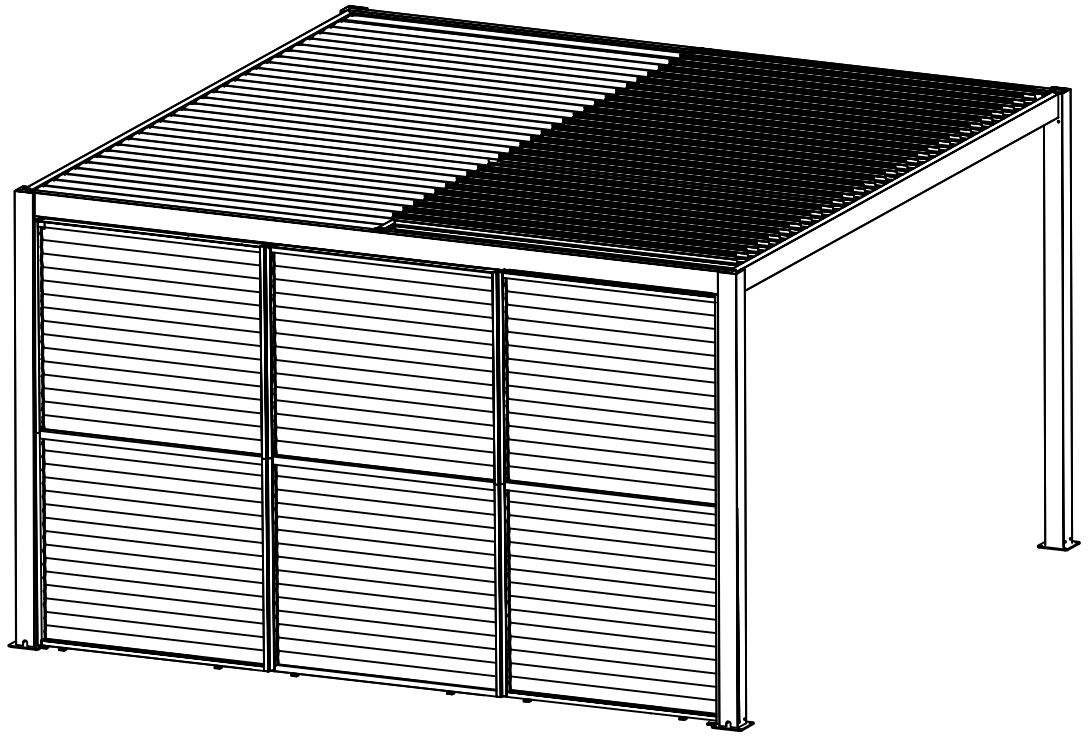
locker open, louver could be moved



locker closed, louver could not be moved



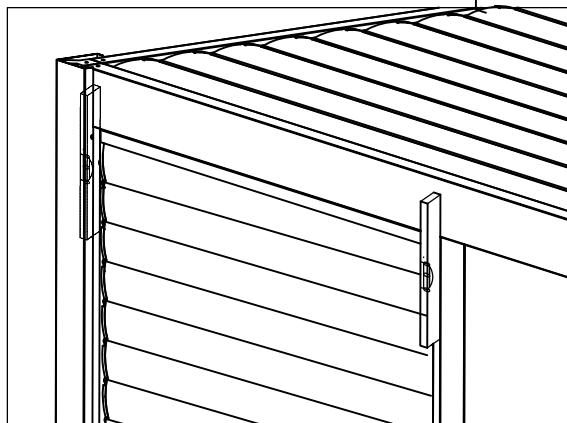
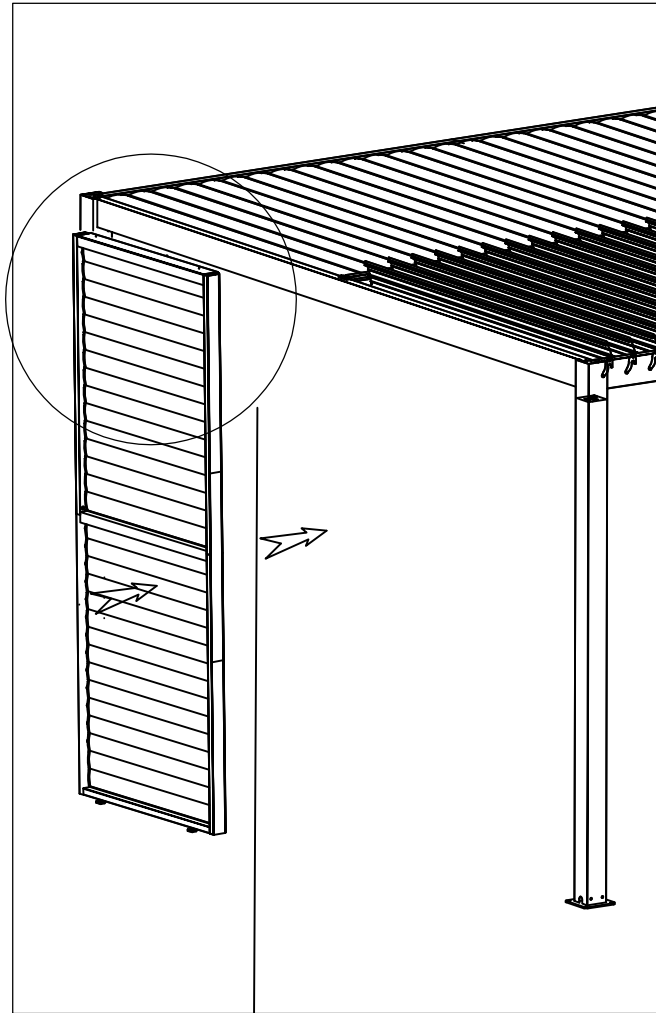
Tips: when installing the locker, it is necessary to adjust the distance with the connecting rod, so that when the lock is closed, there is a damping with the connecting rod, so as to achieve the locking function.



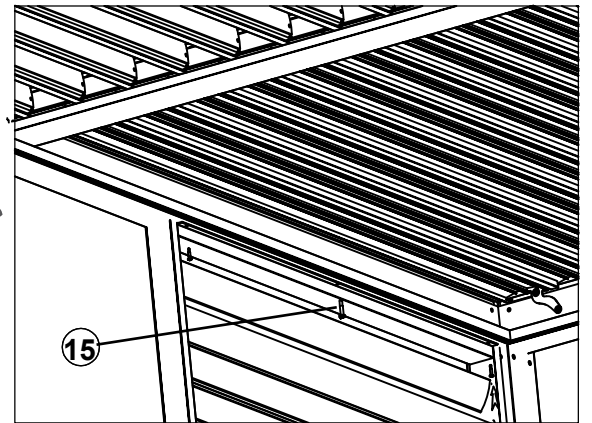
12

Install the louvered wall on the pergola

- st4. 2x25
- 15
x2) for 90x218
x3) for 123x218

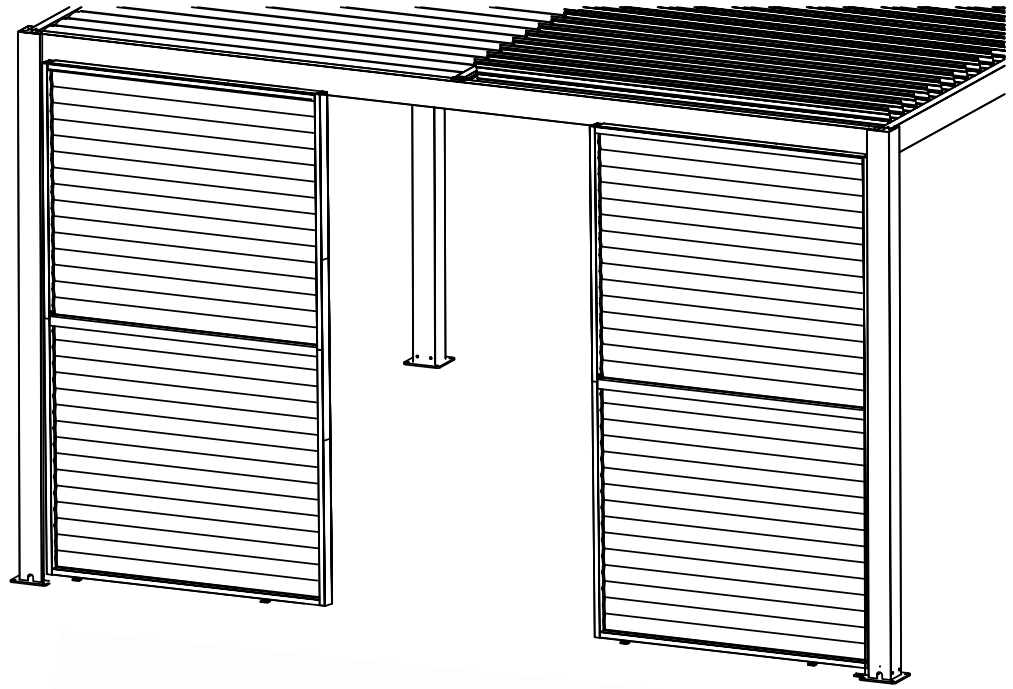


Outside

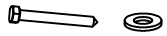


Inside

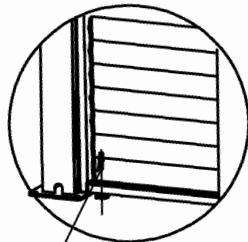
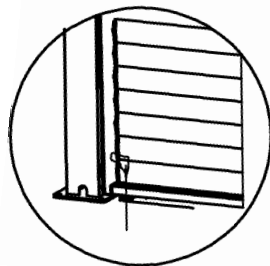
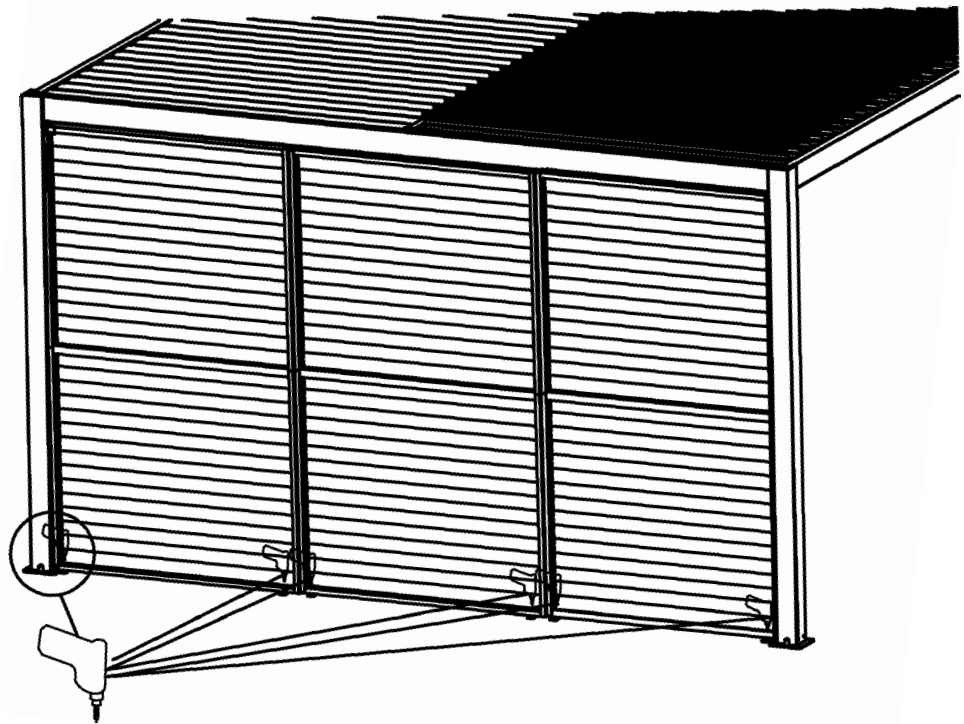
13



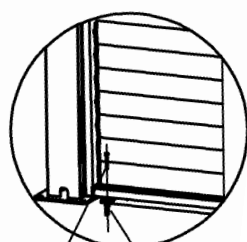
②x4



③x4



②



③

②

14

If this product is to be installed with one pc on each side, you need to replace the screw M5x12 with st4.2x38 which to be fixed to the column to prevent shaking.

