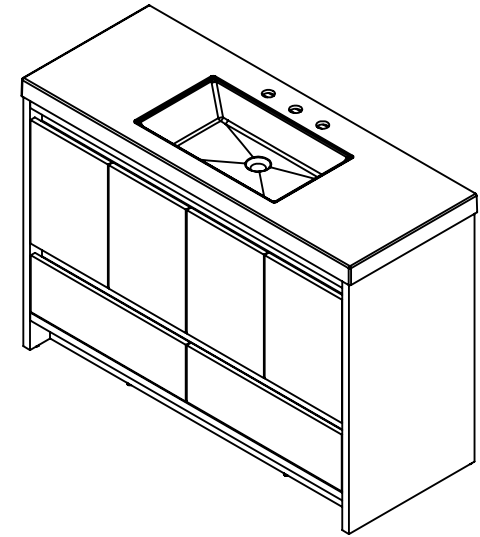
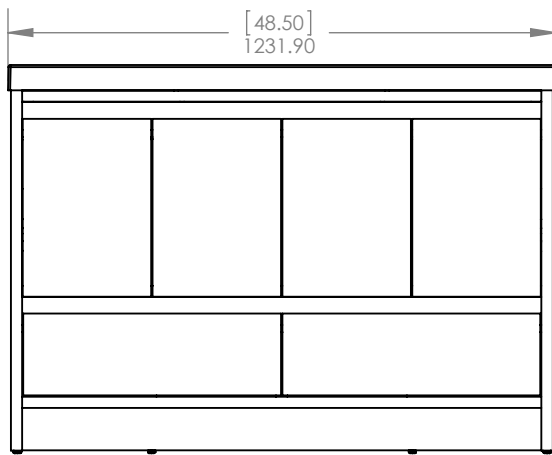


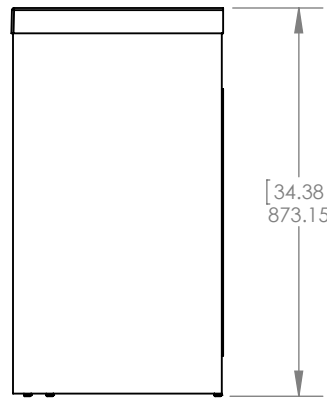
Top View / Vista Superior



Isometric View / Vista Isometrica



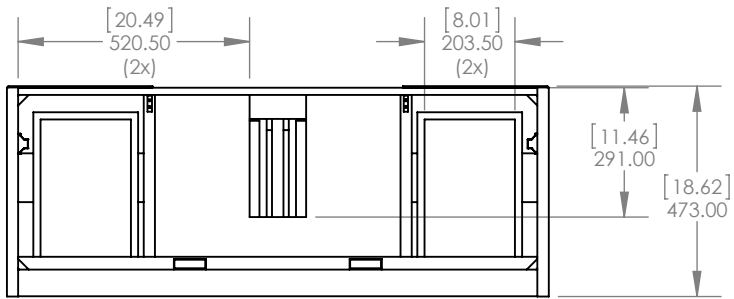
Front view / Vista Frontal



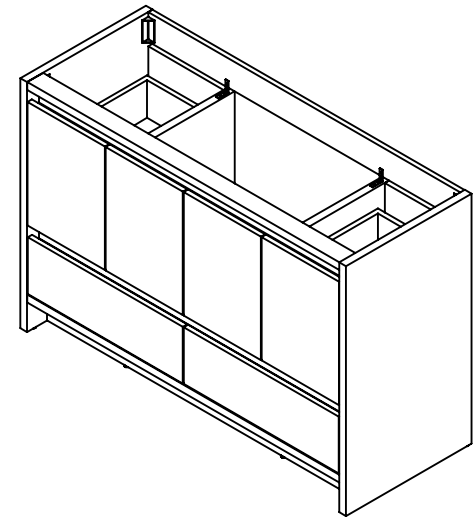
Side View / Vista Lateral



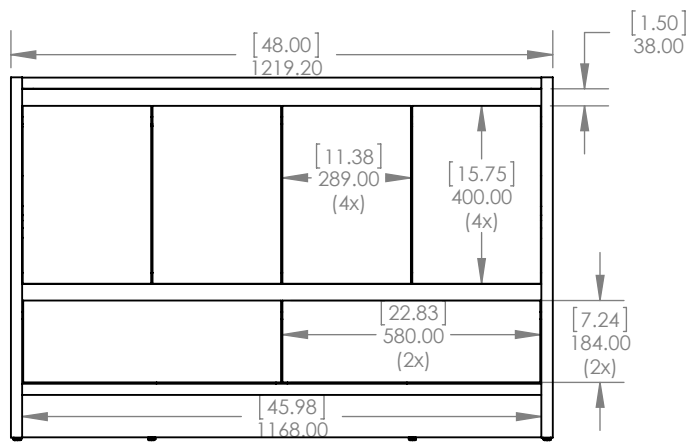
Back View / Vista Trasera



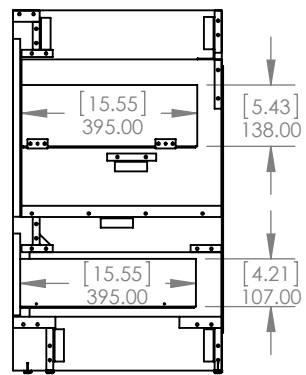
Top View / Vista Superior



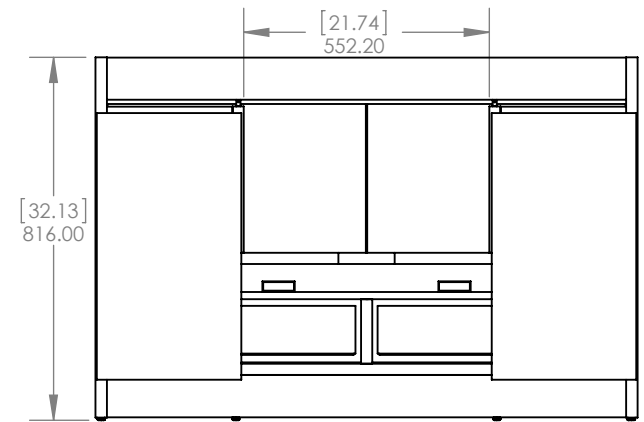
Isometric View / Vista Isometrica



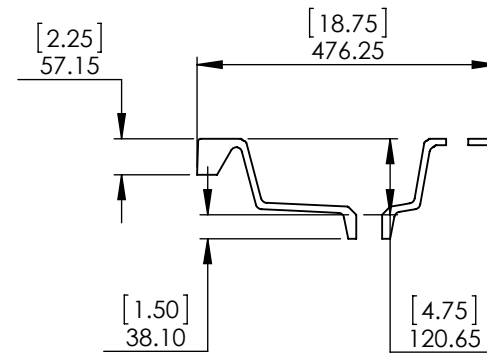
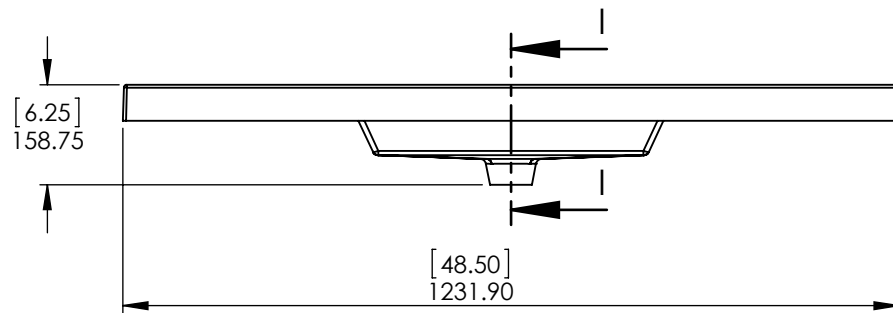
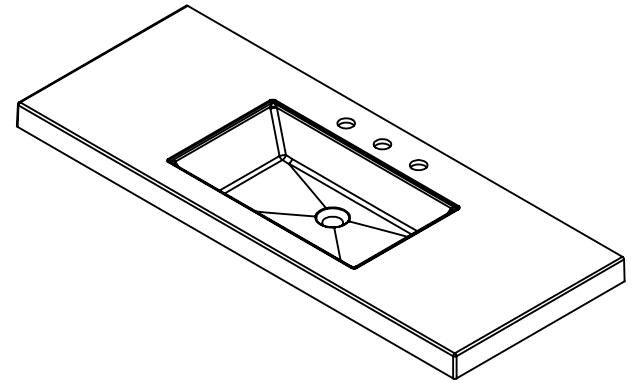
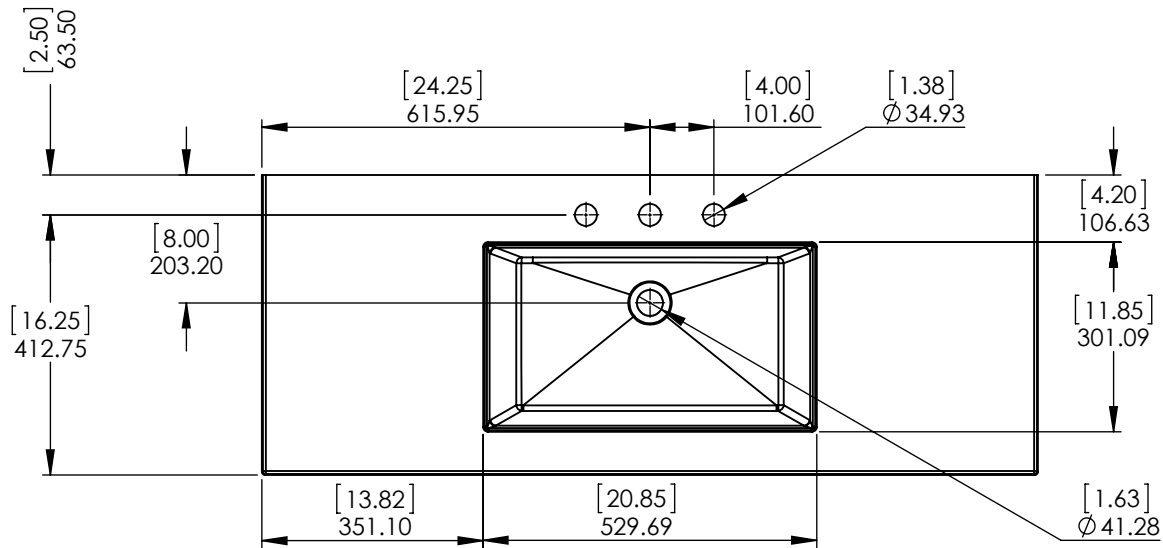
Front view / Vista Frontal



Side View / Vista Lateral



Back View / Vista Trasera



NOTE: MAX. WARPAGE  
TOLERANCE 1/8"