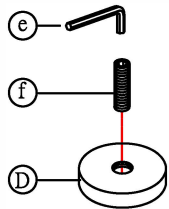


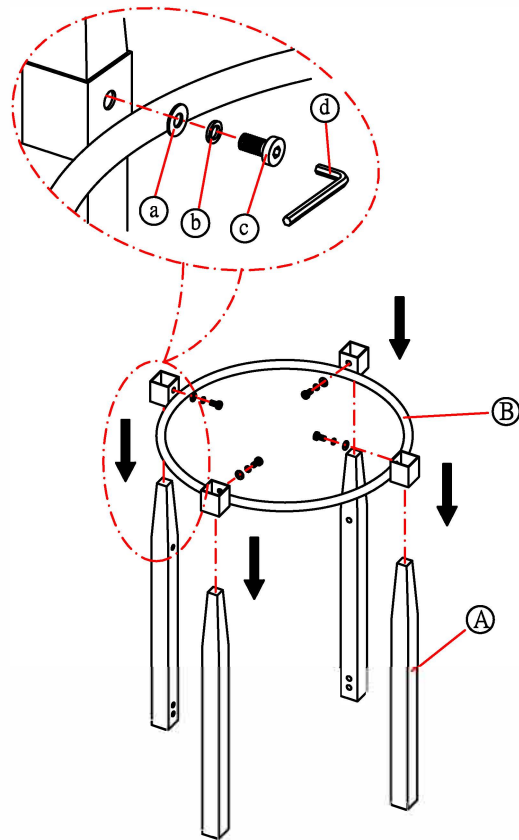
THANK YOU FOR PURCHASING THIS QUALITY PRODUCT.

BE SURE TO CHECK ALL PACKING MATERIAL CAREFULLY FOR SMALL PARTS THAT MAY HAVE COME LOOSE INSIDE THE CARTON DURING TRANSIT.

Step 1



Step 2



Assemble the stretch , fasten the screws 80% tight.

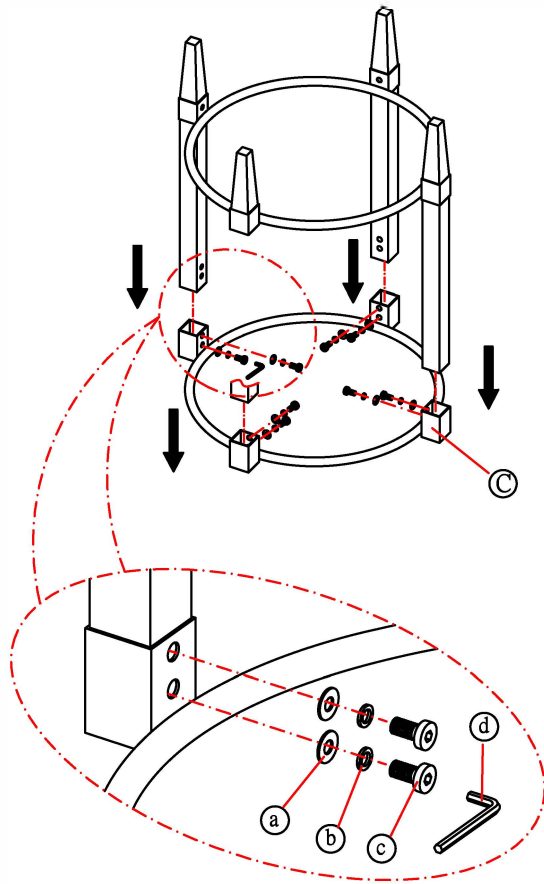
PARTS LIST:

NO	DESCRIPTION	SIZE(mm)	SKETCH	QTY
A	POLE	33*33		4PCS
B	FRAME	540*540		1PC
C	STRECTH	540*540		1PC
D	PUCK	φ38*12		4PCS

HARDWARE LIST:

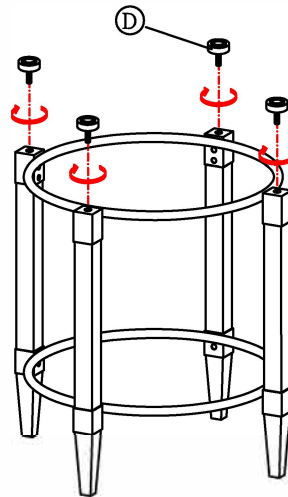
NO	DESCRIPTION	SIZE(mm)	SKETCH	QTY
a	WASHER	φ6.5		12PCS
b	SPRING WASHER	φ6.5		12PCS
c	BOLT	1/4"x18		12PCS
d	ALLEN KEY	4		1PC
e	ALLEN KEY	3		1PC
f	SHORT SCREW	1/4"*20		4PCS

Step 3



Assemble the frame , and tighten the screw of stretch .

Step 4



FINISH

