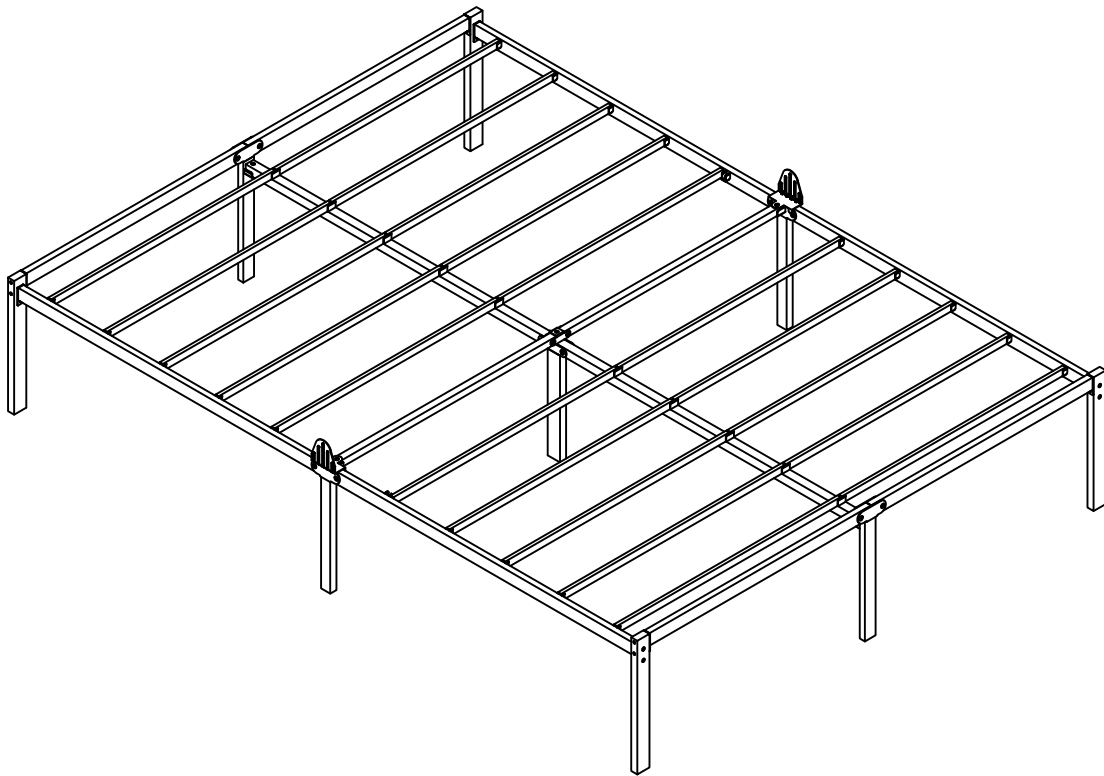


# ASSEMBLY INSTRUCTION

**Notice: This instruction manual applies to Full/Queen/King.**



**Excellent Customer Service-Please Contact Us Before  
Return Our Product!**

All of our products have been tested before packed, but If any parts are missing or damaged, please contact us, we will reply to you ASAP. When replacing parts or hardware, please log in to your account and message the seller. It will better to include applicable photos or provide the part number and quantity.

# PLEASE READ BEFORE ASSEMBLY

## Read Before Beginning Assembly

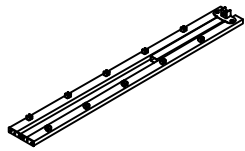
- 1. Clearing a area:** Please assemble in a spacious area near the product's final location, preferably on a carpet or protected surface to safeguard both your floor and the product.
- 2. Recommend team assembling:** It is recommended that at least 2 people assemble this product. Having an extra hand can make the process faster easier.
- 3. Check for all parts:** Most parts are labeled or stamped on the raw edge. Ensure all parts are included before starting.
- 4. Read each step carefully:** Follow the assembly steps in the correct order. Skipping steps or changing the sequence can lead to difficulties.
- 5. Tighten after complete:** Do not fully tighten any bolts before the entire assembly is completed. Final tightening all together ensures greater stability.
- 6. You can contact us:** If you encounter any questions or difficulties during installation, please contact us through marketplace.

## Caution

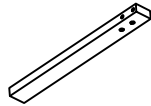
- 1. Choking hazard:** This product contains small parts. Keep out of reach of children.
- 2. Use power tools with caution:** Overloading or improper operation of power tools can strip or damage parts and void the warranty.

## Warranty Information

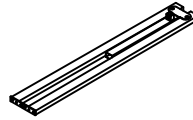
1. This product is warranted against defects in materials and manufacture for 3 years from the purchase date (proof of purchase required).
2. Warranty covers defective parts only. Assembly labor not included.
3. Not valid for misuse, improper assembly, alterations, or unauthorized repairs. No liability for consequential damages where permitted by law.



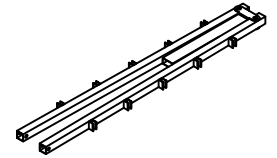
① Side bracket  
2pc



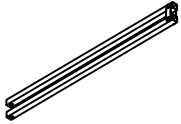
④ Bed post  
4pc



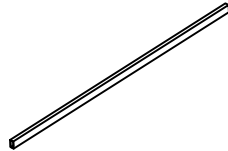
⑤ Bedhead bracket  
2pc



⑥ Center Support Rail  
1pc



⑧ Center Support Bar  
1pc



⑩ Slat  
20pc



⑪ Mattress Gasket  
2pc

This product only includes the parts numbered above,  
and the missing numbers are not used in this product.

**Hardware Kit:**



A × 12PCS  
M8×32



B × 1PCS  
M8×56



C × 8PCS  
M6×50



H × 1PCS  
4mm

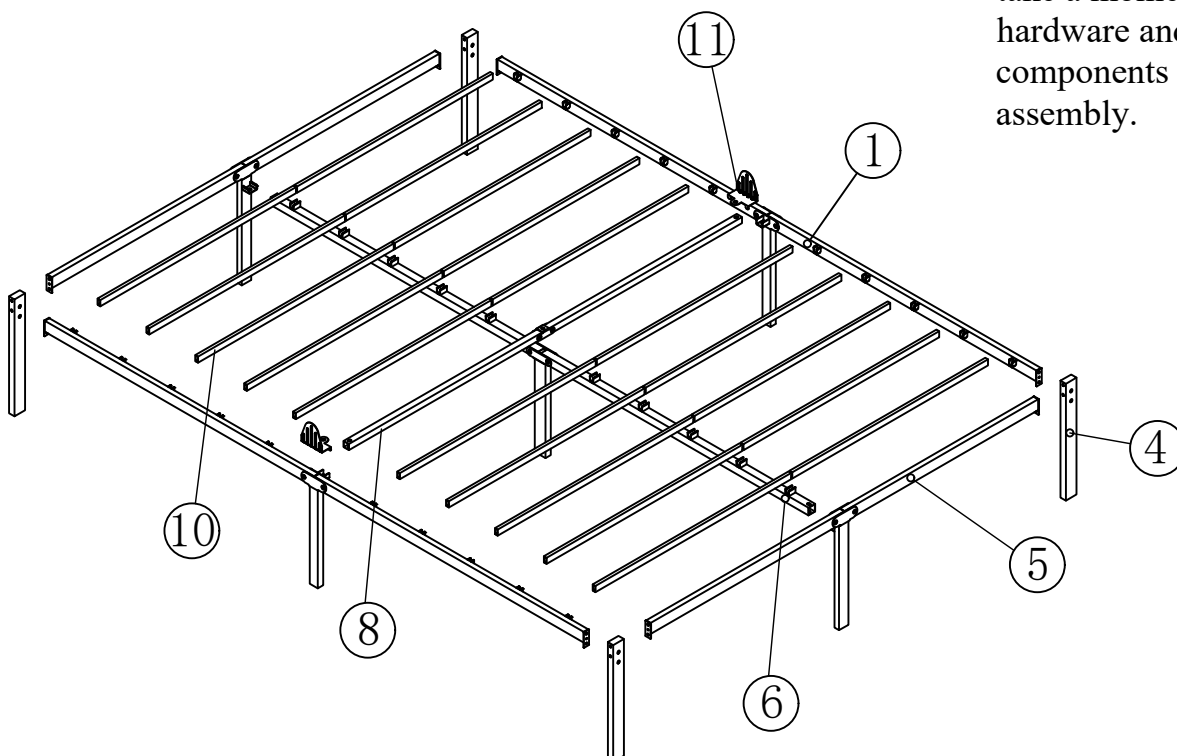
**Spares:**

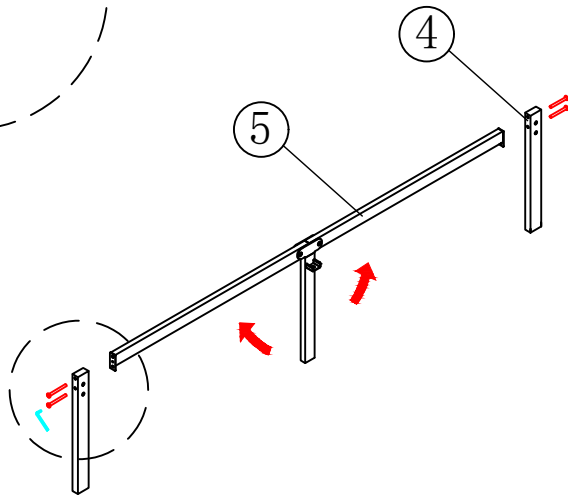
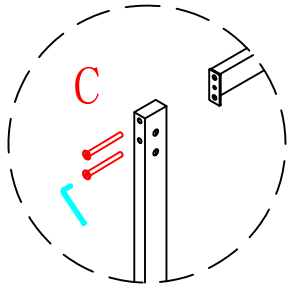
A × 1PCS

C × 1PCS

## Parts

This page lists all the items included in this package. Please take a moment to identify the hardware and individual components before beginning assembly.



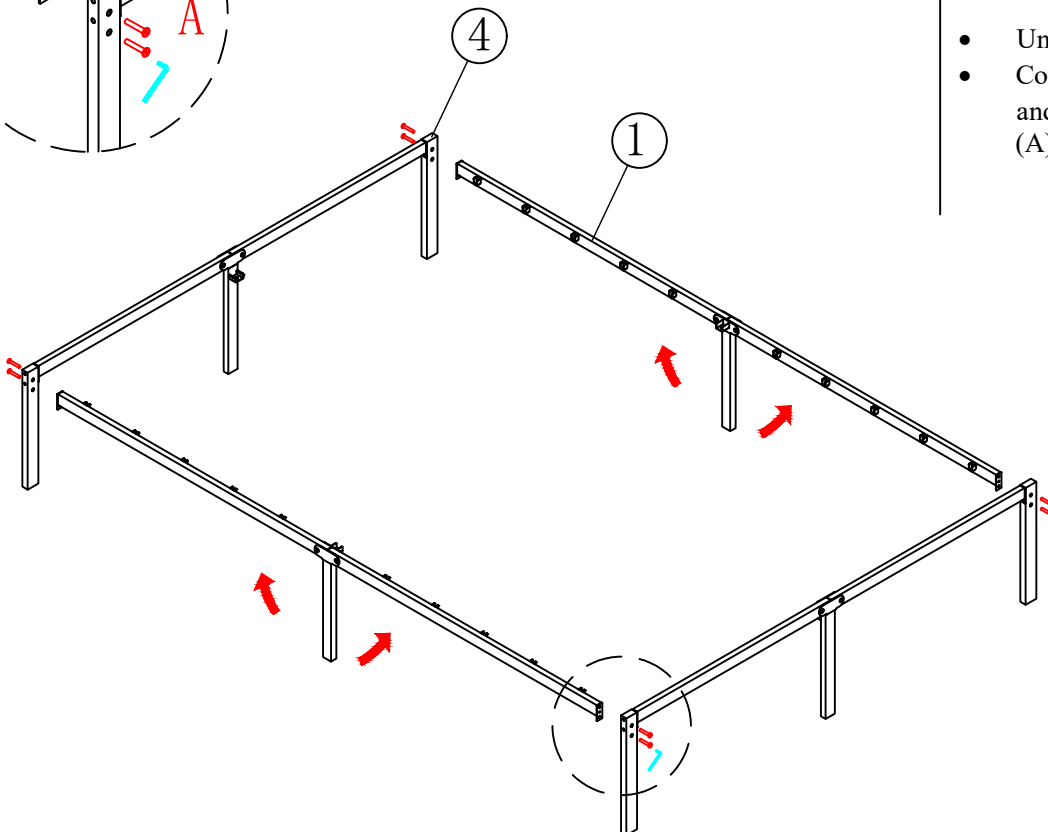
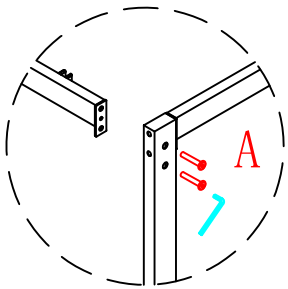


C × 4PCS  
M6\*50

# Step 1

## Assemble Bedhead Brackets and Bed Posts

- Unfold the bedhead brackets ⑤;
- Connect the bedhead brackets ⑤ and the bed post ④ with bolts (C).



A × 8PCS  
M8\*32

# Step 2

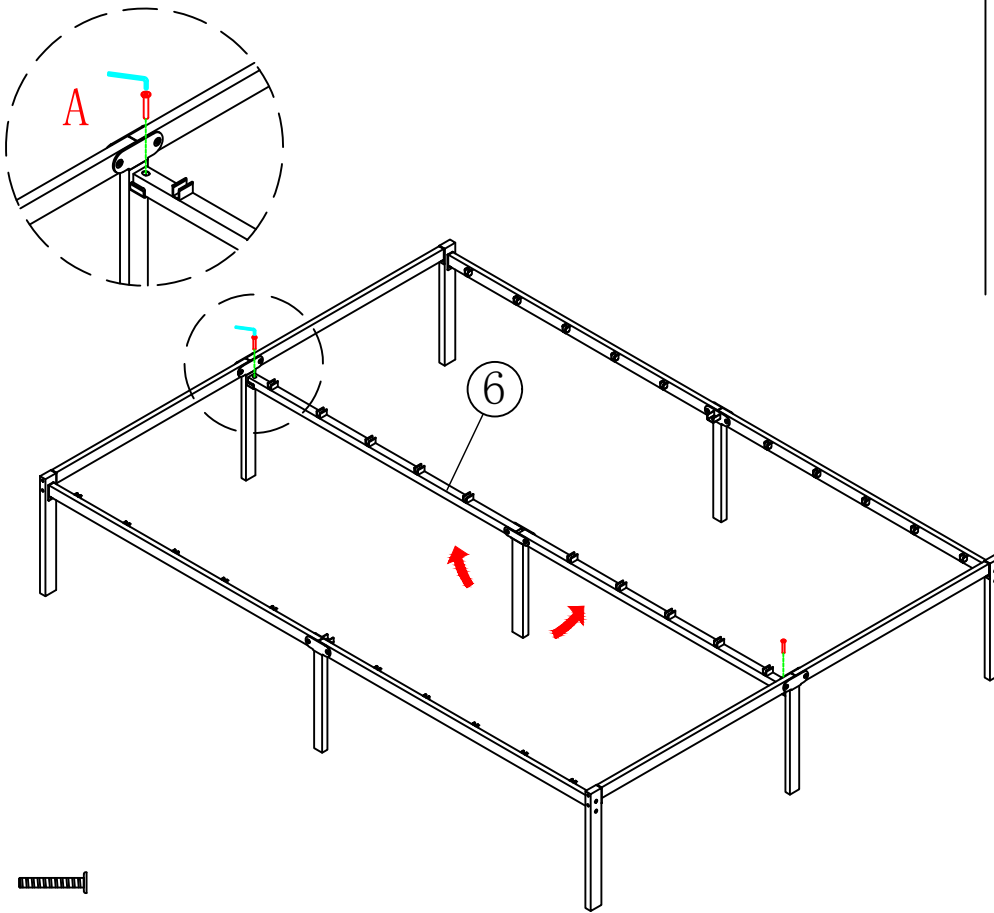
## Assemble Side Brackets

- Unfold the side brackets ①;
- Connect the side brackets ① and the bed posts ④ with bolts (A).

# Step 3

## Assemble Center Support Rail

- Unfold the center support rail ⑥ and assemble it with bolts (A) as shown in the figur.

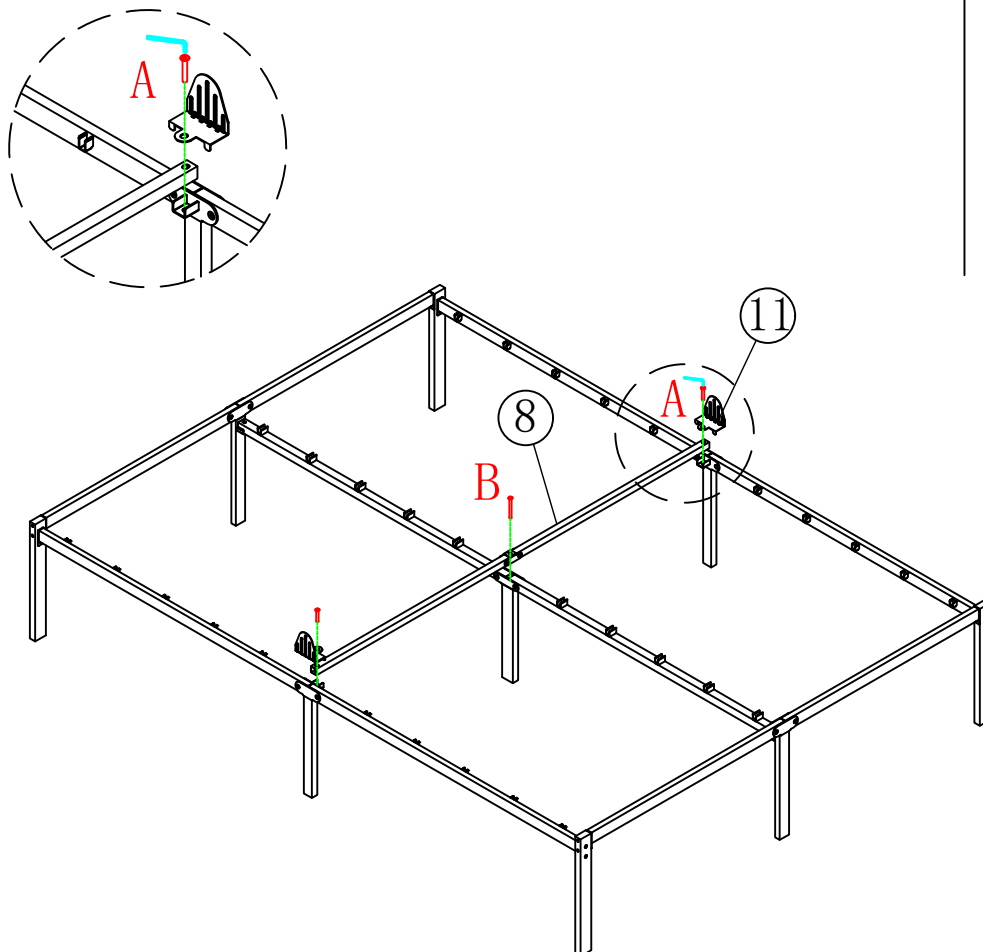


A × 2PCS  
M8\*32

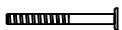
# Step 4

## Assemble Center Support Bar

- Unfold the center support bar ⑧;
- Assemble it and the mattress gasket ⑪ with bolts (A) as shown in the figur.
- Finally, assemble the middle position of the center support bar with screws (B)



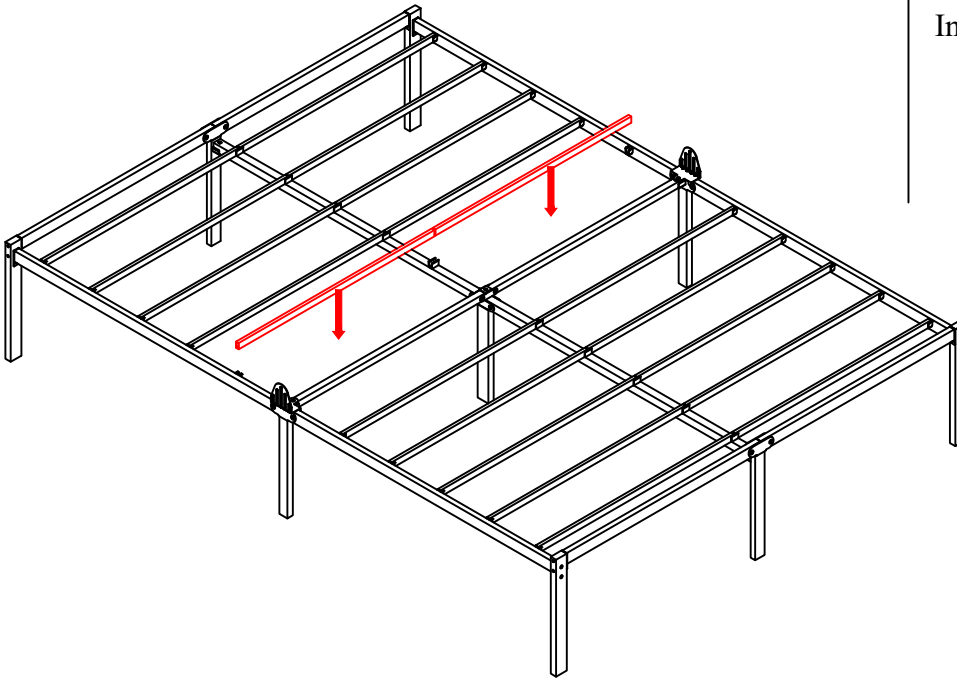
A × 2PCS  
M8\*32



B × 1PCS  
M8\*56

## Step 5

Install the Slats as shown



# IMPORTANT INFORMATION

## Warning

- 1. Age Restriction:** The bed is not designed for children under 4 years old.
- 2. For your safety:** Jumping, rough play, or other vigorous activities on the bed are not recommended as they may cause injury or damage to the bed frame.
- 3. Weight Limit:** The maximum combined weight on the bed should not exceed 1000 lbs. This includes the weight of the bed itself, mattresses, bedding, and people.
- 4. Do not drag or push the bed frame:** Always use two people to lift and reposition the bed frame to avoid damage to the frame or the floor.

## Cleaning&Care

- 1. Cleaning method:** Use a dry or slightly damp soft cloth for cleaning. Avoid abrasive cleaners, which can damage the finish.
- 2. Hardware maintenance:** Over time, hardware can loosen. Regularly check and tighten all connections to maintain the bed's stability and prevent damage.

**Please keep these instructions for future reference!**