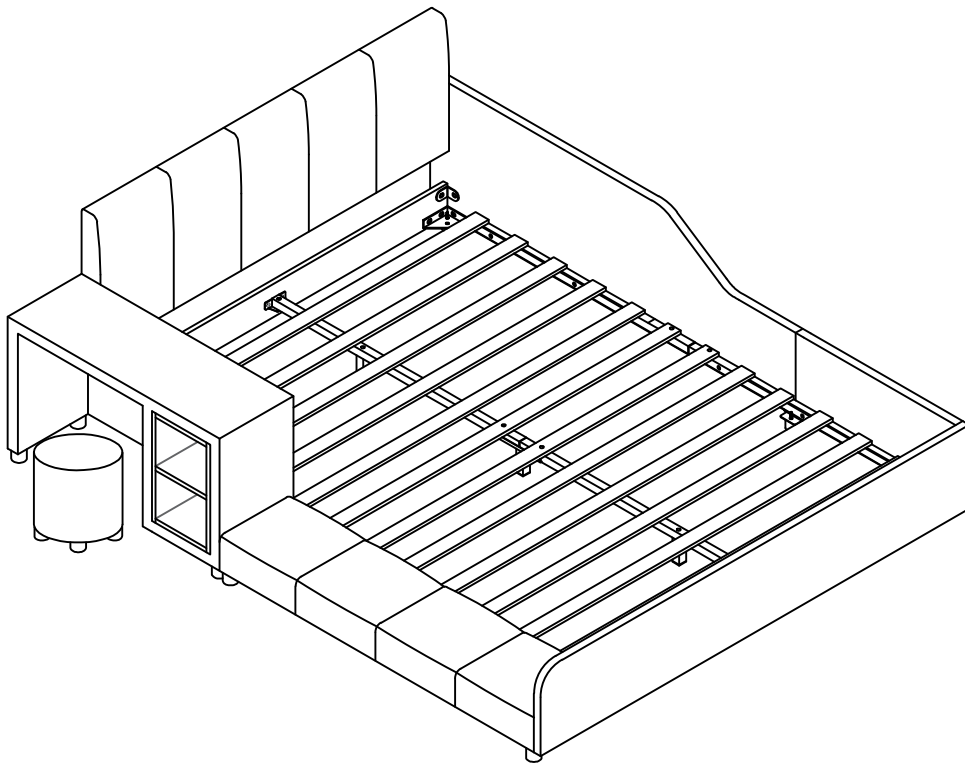
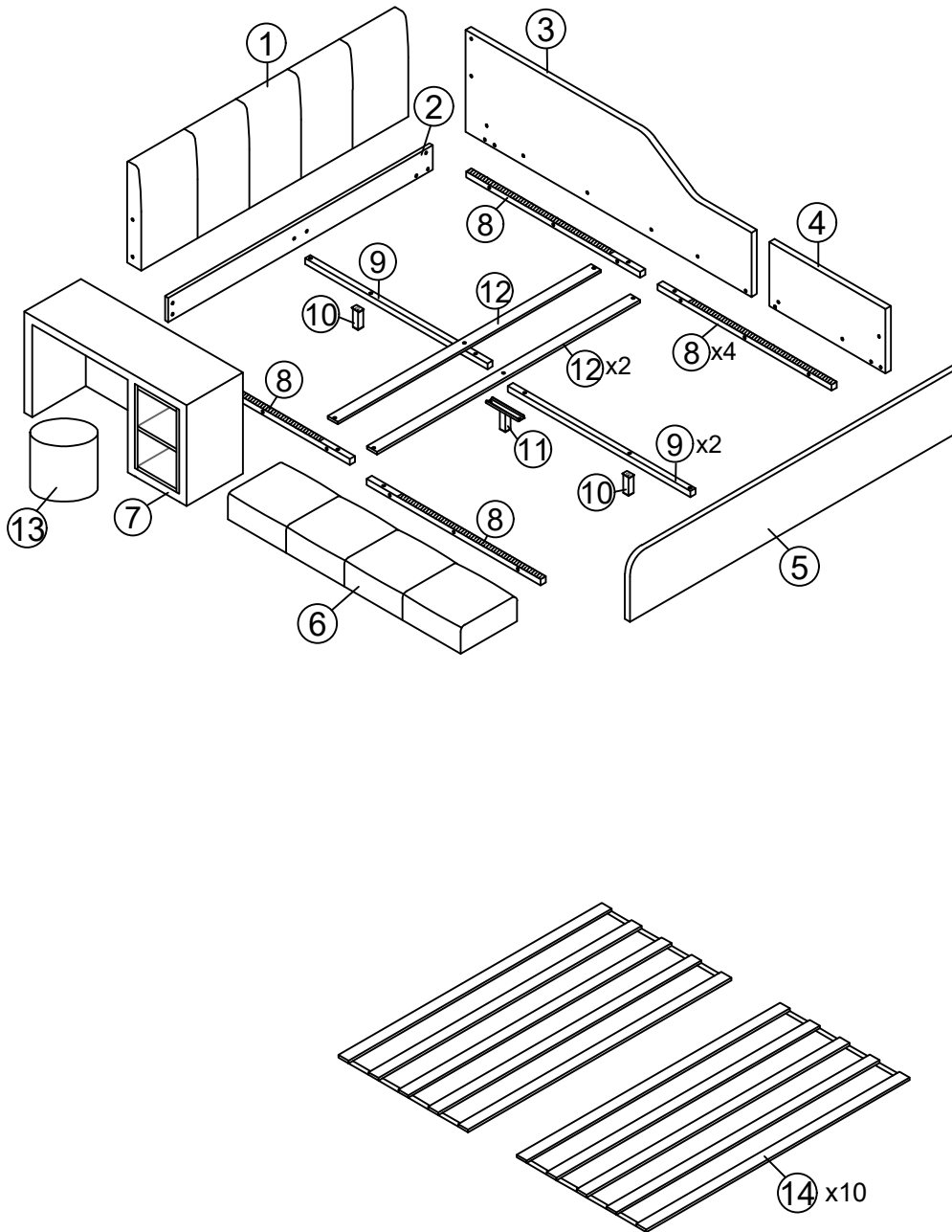


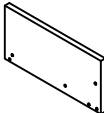
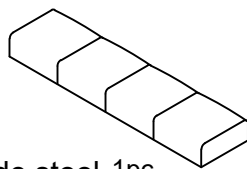
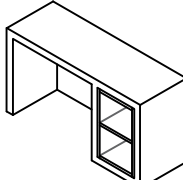
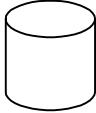
ASSEMBLY INSTRUCTION



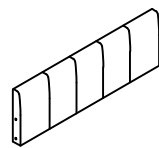
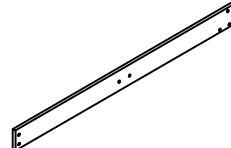
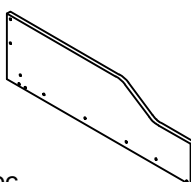
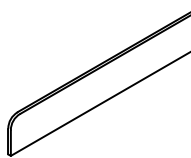
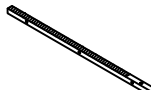
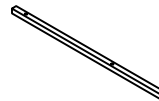

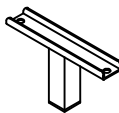
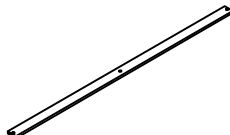
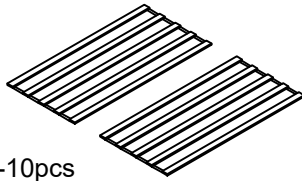
Detail View






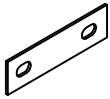

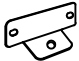


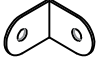


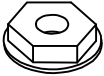

Part List

<p>4</p>  <p>Siderail-1pc</p>	<p>6</p>  <p>Bedside stool-1pc</p>	<p>7</p>  <p>Desk-1pc</p>
<p>13</p>  <p>Stool-1pc</p>		

Hardware List + Part list WF316446

<p>1</p>  <p>Head board-1pc</p>	<p>2</p>  <p>Cross board-1pc</p>	<p>3</p>  <p>Siderails-1pc</p>
<p>5</p>  <p>Foot board -1pc</p>	<p>8</p>  <p>Side rails support bar-4pc</p>	<p>9</p>  <p>Center support bar -2pc</p>
<p>10</p>  <p>Middle support leg-2pc</p>	<p>11</p>  <p>Middle support leg-1pc</p>	<p>12</p>  <p>Cross bar -2pc</p>
<p>14</p>  <p>Slats -10pcs</p>		

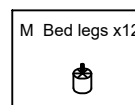
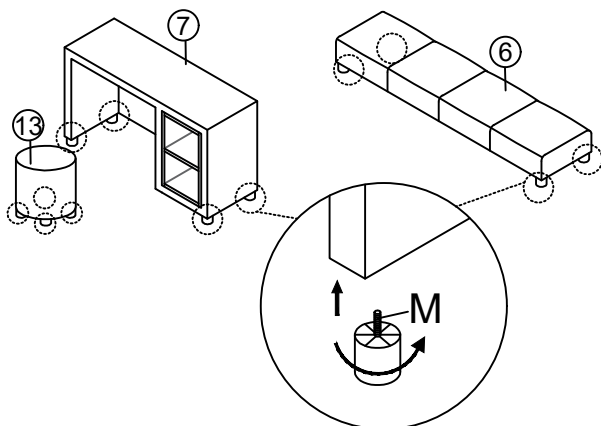
Hardware List

<p>A</p>  <p>Allen Key(1pc)</p>	<p>B</p>  <p>Ø8*45mm</p> <p>Bolts(16pcs)</p>	<p>C</p>  <p>Ø8*18mm</p> <p>Bolts(28pcs)</p>
<p>D</p>  <p>Two hole iron(1pc)</p>	<p>E</p>  <p>Ø8*50mm</p> <p>Bolts(2pcs)</p>	<p>F</p>  <p>86*32*28*2mm</p> <p>Center support bar fittings(3pcs)</p>
<p>G</p>  <p>77*33**33*2mm</p> <p>"7" Connector(2pcs)</p>	<p>H</p>  <p>Ø8*30mm</p> <p>Bolts(8pcs)</p>	<p>I</p>  <p>Little "7" Connector (2pcs)</p>
<p>J</p>  <p>Metal Corner (2pcs)</p>	<p>K</p>  <p>Spanner (1pc)</p>	<p>L</p>  <p>Nuts(2pcs)</p>
<p>M</p>  <p>H:40mm</p> <p>Bed legs(15pcs)</p>		

Attention: Do not tighten the screws before completing the entire installation. If you have any difficulty with the installation process, please feel free to contact us.

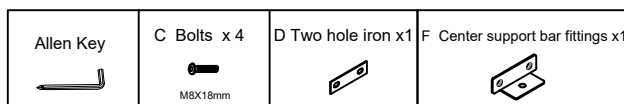
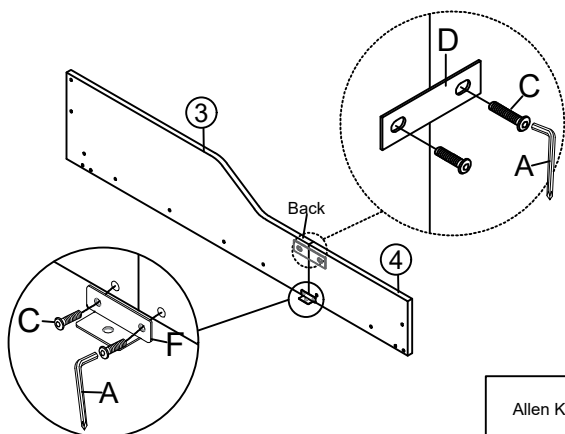
Step 1

Fix the Bed legs M to the Bedside stool ⑥ ,Desk ⑦ and Stool ⑬.



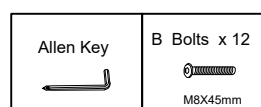
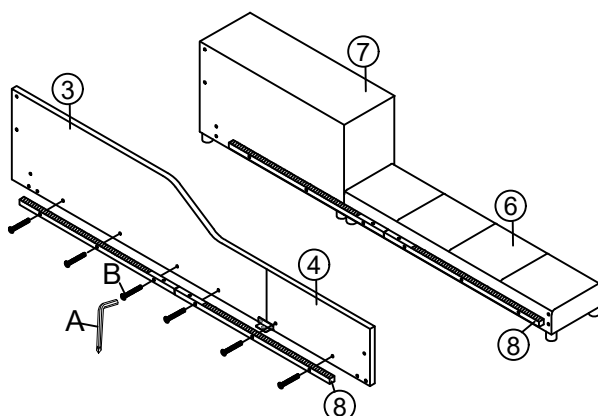
Step 2

Fix Siderail ③ and siderail ④ together with Two hole Iron D, center support bar fittings F and Bolts C by using Allen Key A.



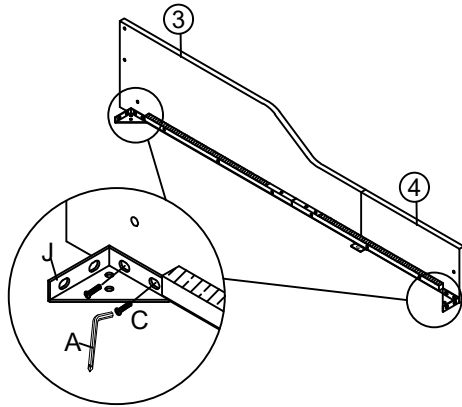
Step 3


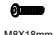

Fix the Siderails support bar ⑧ to the Siderail ③ ,Siderail ④, Bedside stool ⑥ and Desk ⑦ with Bolts B by using Allen key A.



Step 4

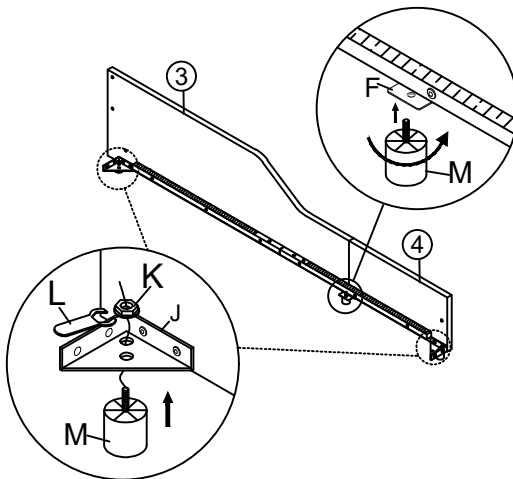
Fix the Metal Corner J to the siderails ③ and ④ with Bolts C by using Allen key A.






Allen Key 	C Bolts x 4  M8X18mm	J Metal Corner x 2 
--	---	---

Step 5

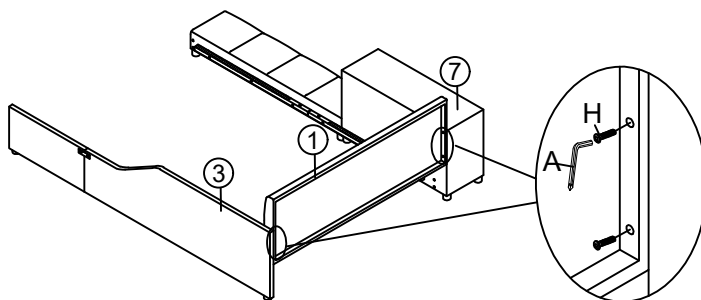
Fix the legs M to the Metal Corner J and Center Support bar fittings F with Nuts L by using Spanner K.


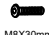


K Spanner x1 	L Nuts x2 	M Bed legs x 3 
---	--	---

Step 6

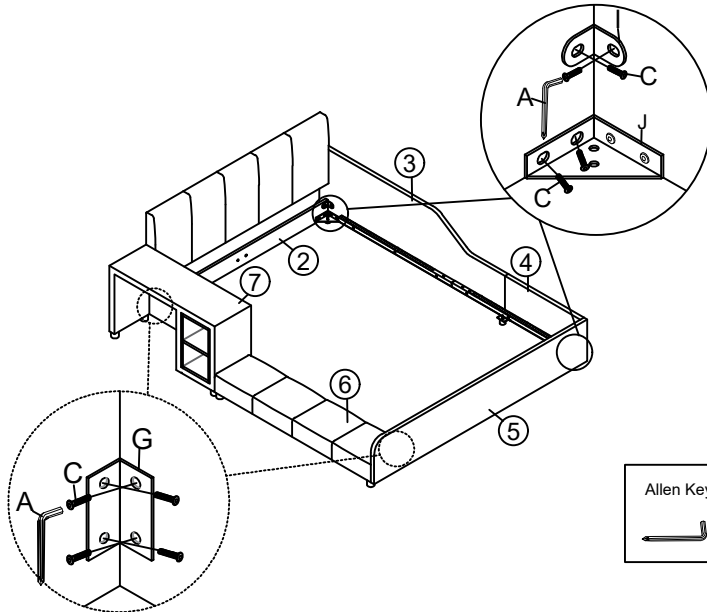
Fix the Headboard ① to the Siderail ③ and Desk ⑦ with Bolts H by using Allen key A.



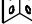
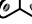


Allen Key 	H Bolts x 4  M8X30mm
--	---

Step 7

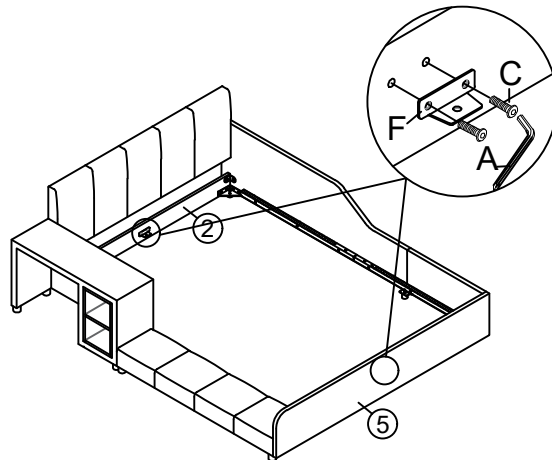
Fix the Cross board ② to the Siderail ③ and Desk ⑦ with Metal Corner J and Little "7" Connector I and Bolts C by using Allen key A.
 Fix Foot board ⑤ to Side rail ④ and Bedside stool ⑥ with "7" Connector G and Bolts C by using Allen key A.


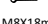



Allen Key 	C Bolts x 16 M8X18mm 	G "7" Connector x 2 	I Little "7" Connector x 2 
--	--	--	---

Step 8 x3

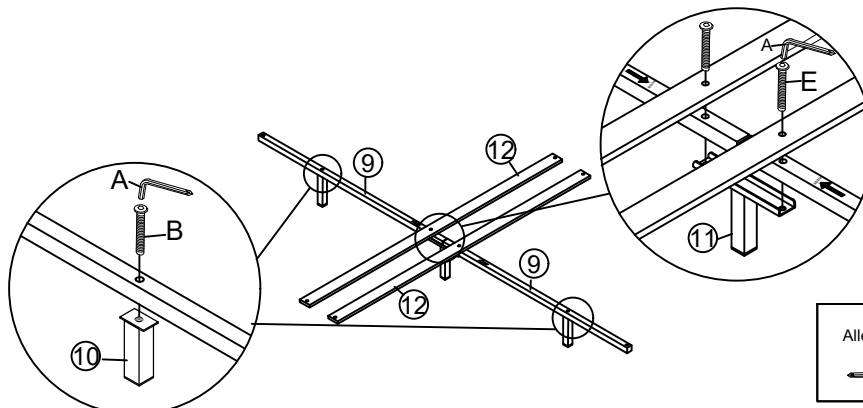
Fix the Center support bar fittings F to the Cross board ② and Foot board ⑤ with Bolts C by using Allen key A.






Allen Key 	C Bolts x 4 M8X18mm 	F Center support bar fittings x 2 
--	---	--

Step 9

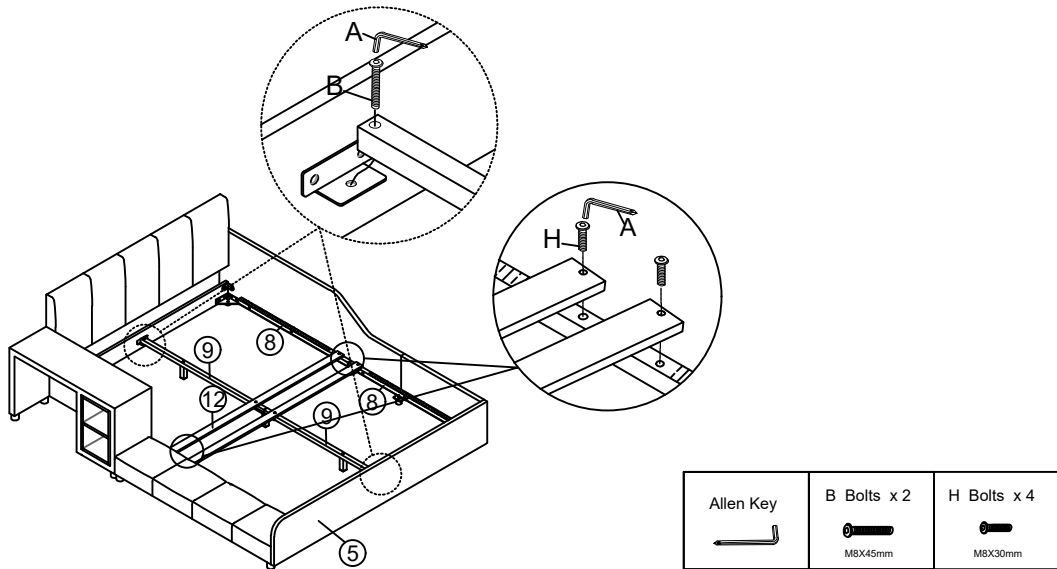
Fix the Cross bar ⑫ to the Center support bar ⑨ and Connected support leg ⑪ with Bolts E by using Allen key A.
 Fix the Middle support leg ⑩ to the Center support bar ⑨ with Bolts B by using Allen key A.



Allen Key 	B Bolts x 2 M8X45mm 	E Bolts x 2 M8X50mm 
--	---	---

Step 10

Fix the Center support bar ⑨ to the Center support bar fitting F with Blots B by using Allen key A.
Fix the Cross bar ⑫ to the Siderails bar ⑧ with Blots H by using Allen key A.



Step 11

Fix the slats ⑭ to the side support bar ⑧, then please tighten all of the hardware and enjoy your bed.

