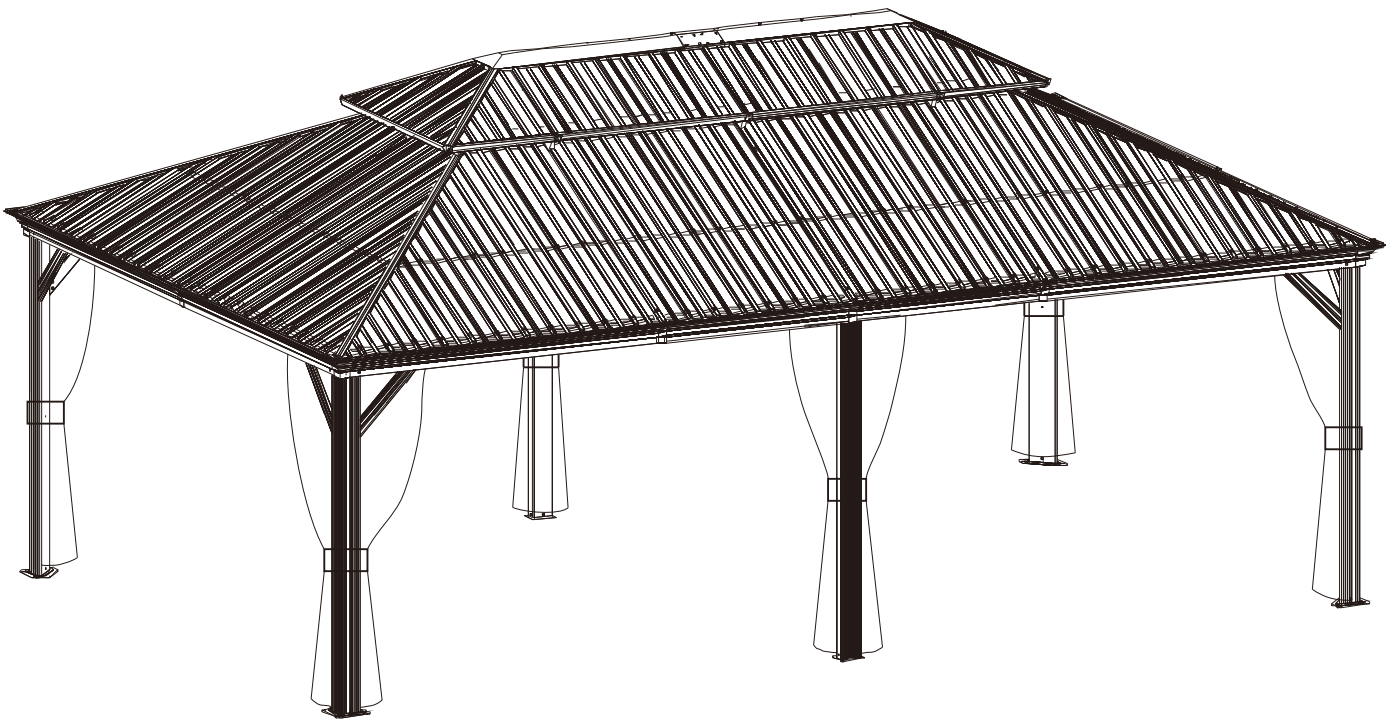


14' × 22' HARDTOP GAZEBO WITH DOUBLE ROOF

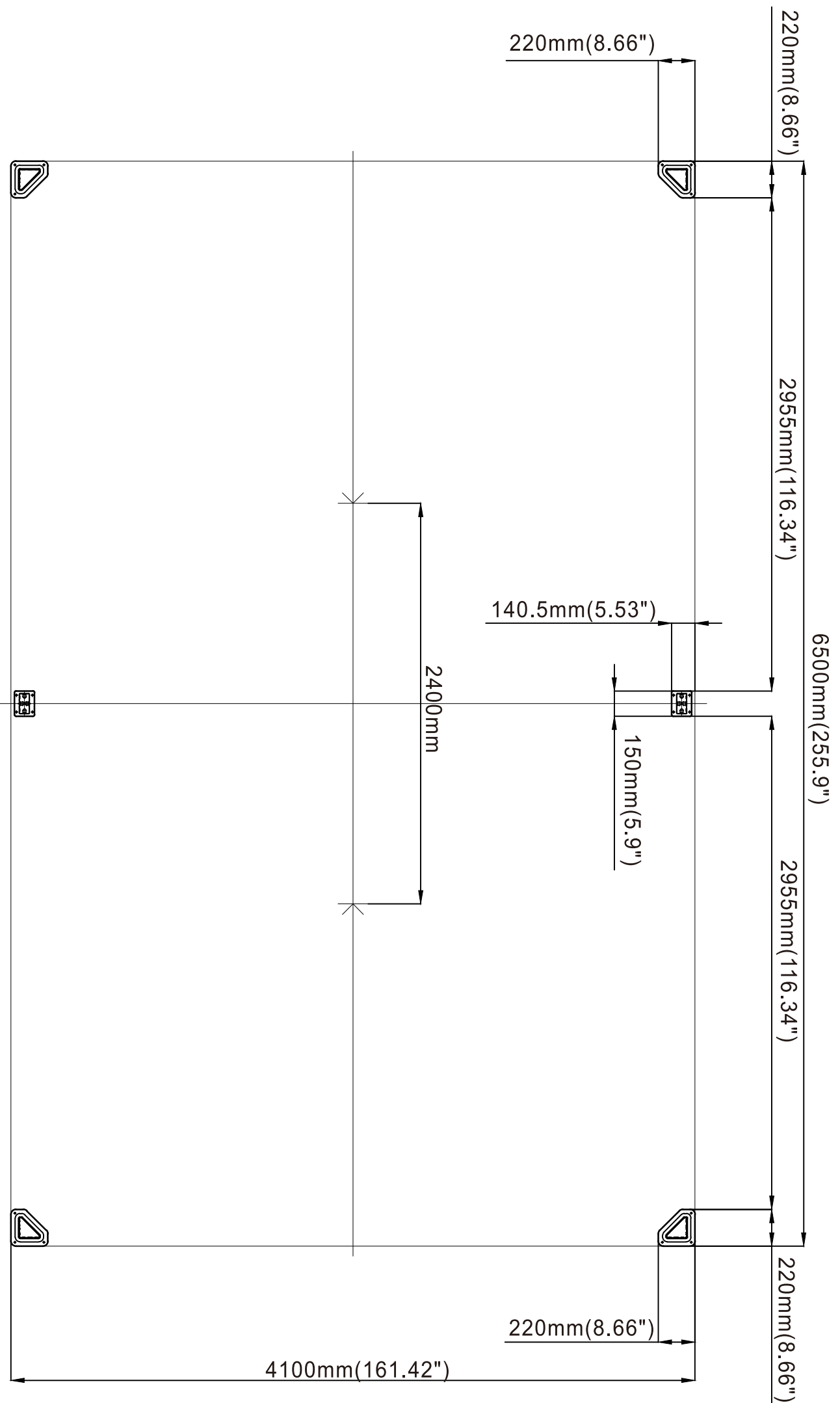
ASSEMBLY MANUAL



MODEL#: LGMF 1642

Missing part? Damaged? Contact us via email at

service@domioutdoorliving.com



1642 1

LGMF1642

Pre-assembly



1. Two or more people are required for assembly.



2. You will need one or more stepladders.



3. Wearing protective gloves is recommended.



4. You may need a safety hat.



5. Please use a Phillips screw driver.



6. For ease of construction, you may need a drill.



7. You may need a safety goggle.



8. Do not fully tighten screws prior to complete assembly.

Warning & Attention

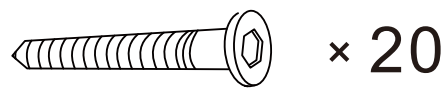
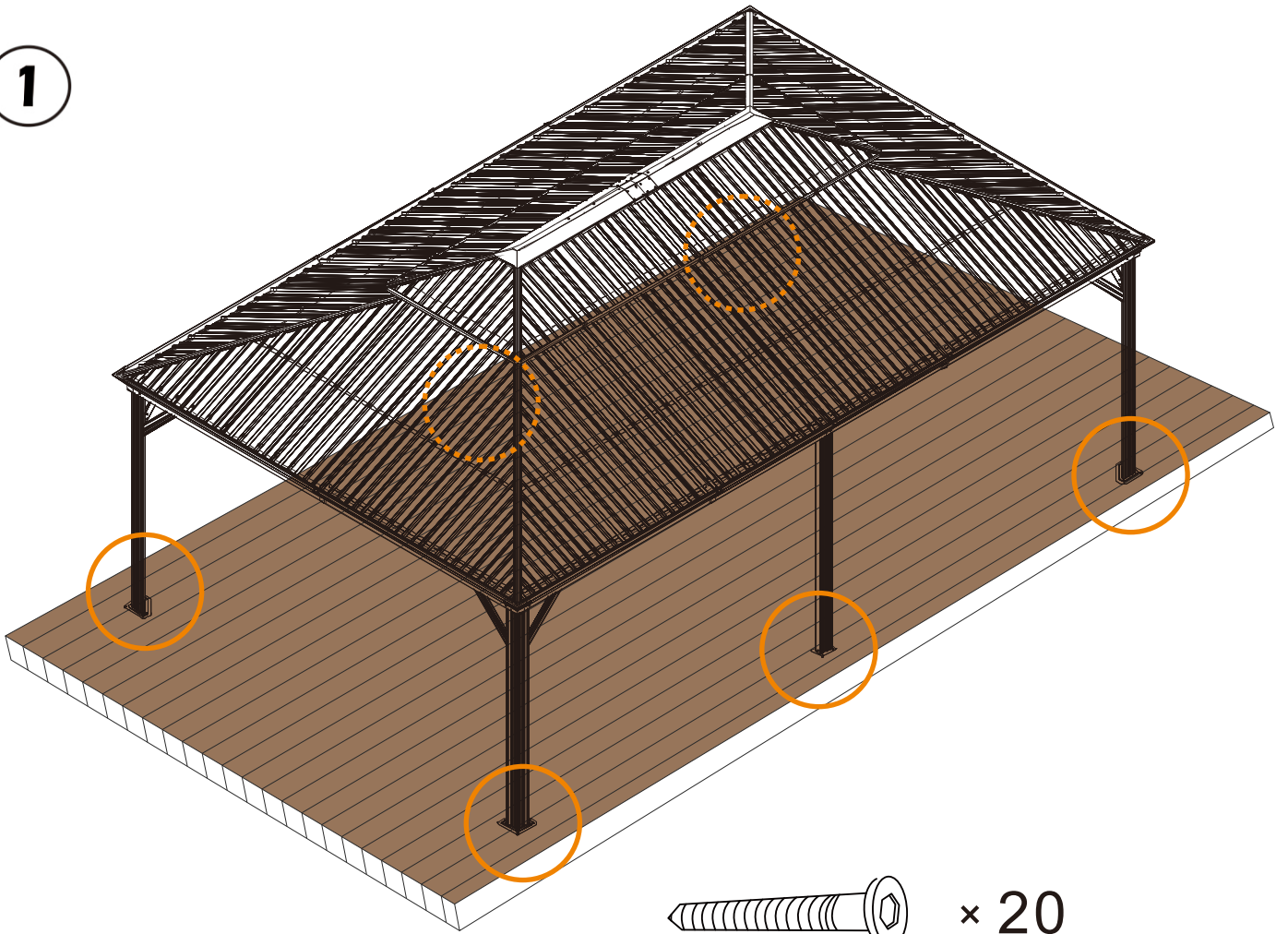
-Try to assemble this product on the flat ground, otherwise it is difficult to carry out;

-It would be much easier to assemble the product with three or more people;

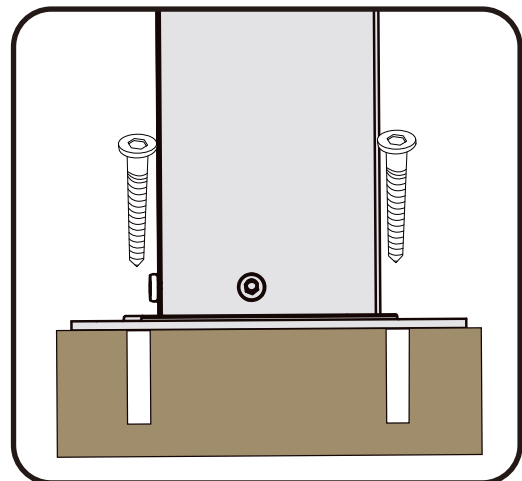
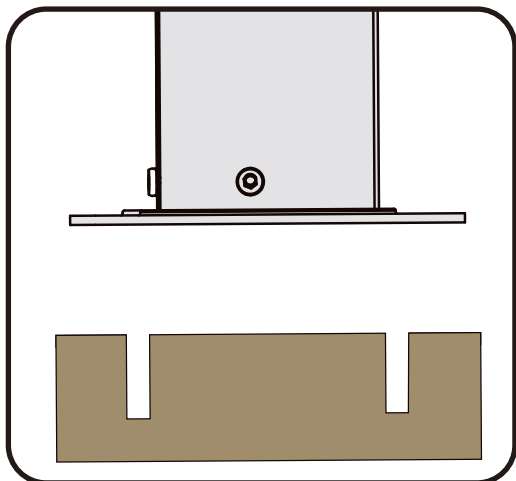
-After assembly, please check whether all screws are tightened, to prevent parts from falling apart.

▲ Use bolts to secure the frame to the ground to against the strong wind.

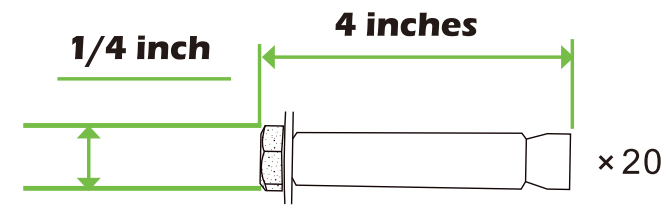
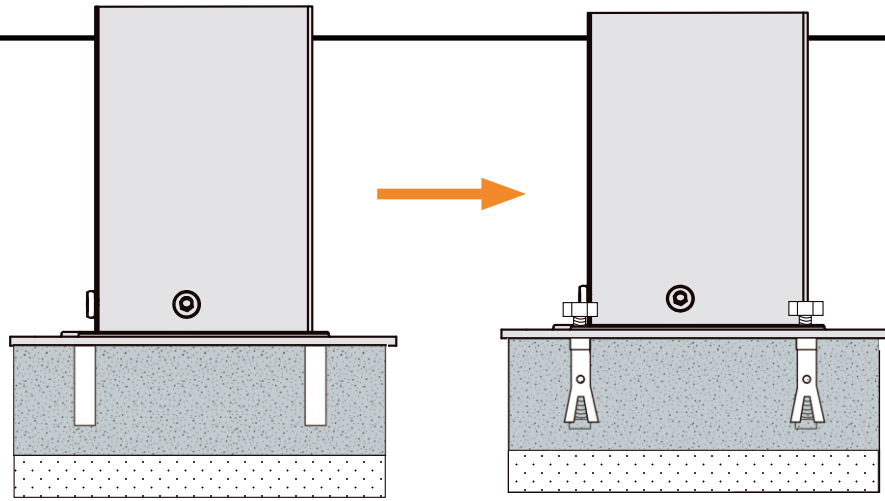
1



If the deck is hard wood and the depth of it is over 3 inch, you can use **5/16 in. x4 in. Structural Wood Screw** to mount the gazebo.

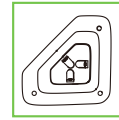
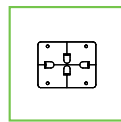
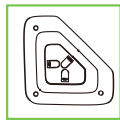
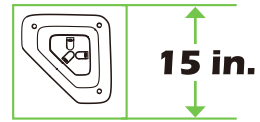
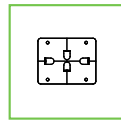
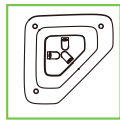


2



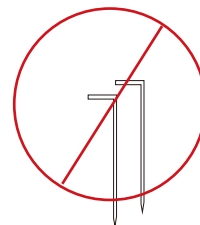
If the ground is concreted and the depth of it is over 3 inch, you can use 1/4 inch expansion bolts to mount the gazebo






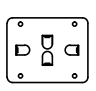



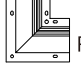


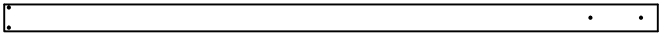




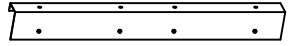
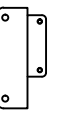

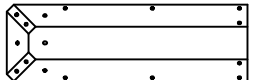
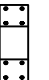

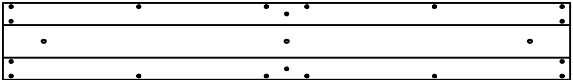

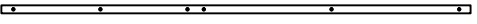

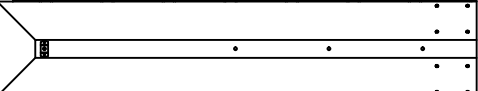
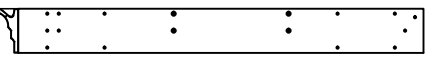
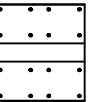
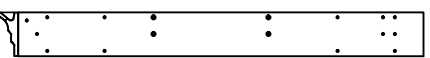



3



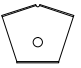
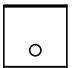
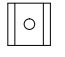
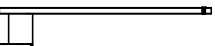
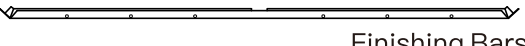
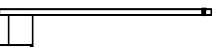
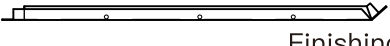
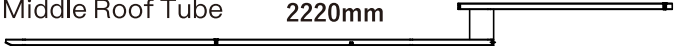
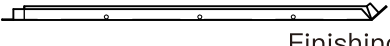
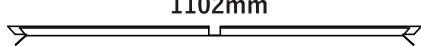
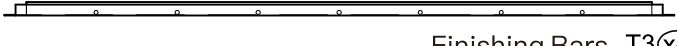
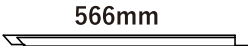
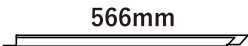
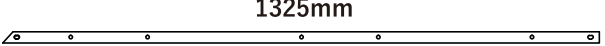
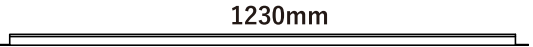
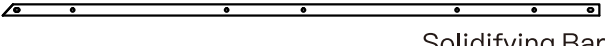
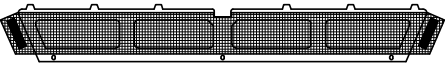
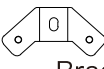


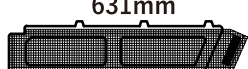
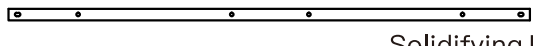
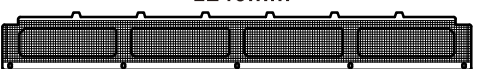
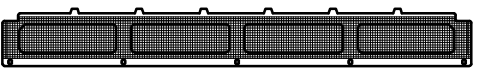
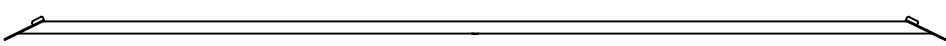











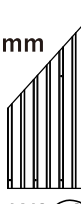
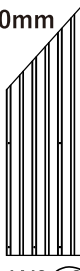
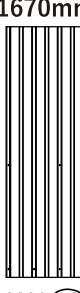
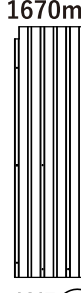
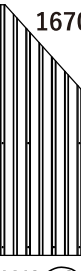





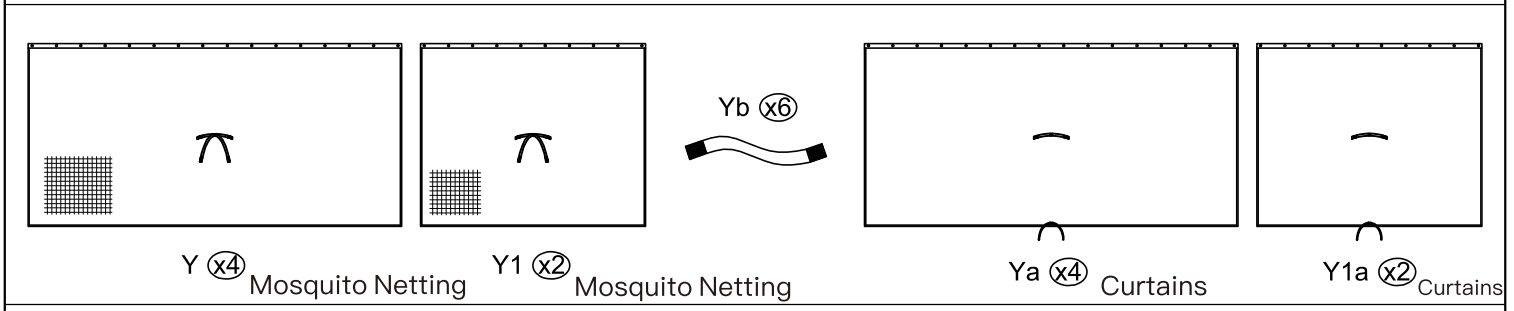
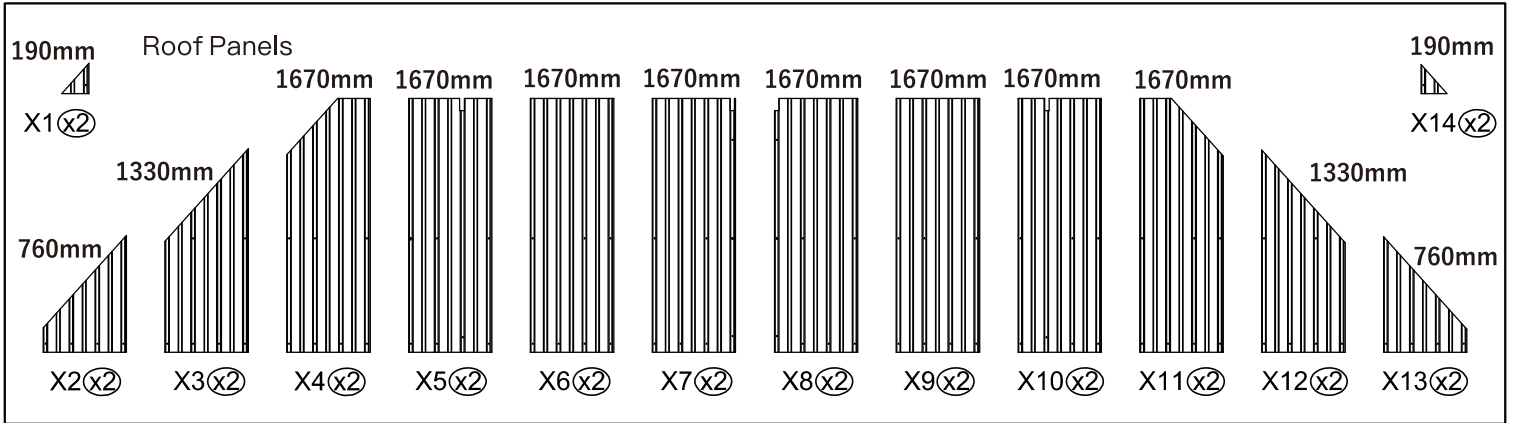
Or you can make a concrete footing for gazebo, **15×15×15 inches** is recommended. use expansion bolts to mount the pergola like (2) shows.

IMPORTANT:
Anchor is not recommended

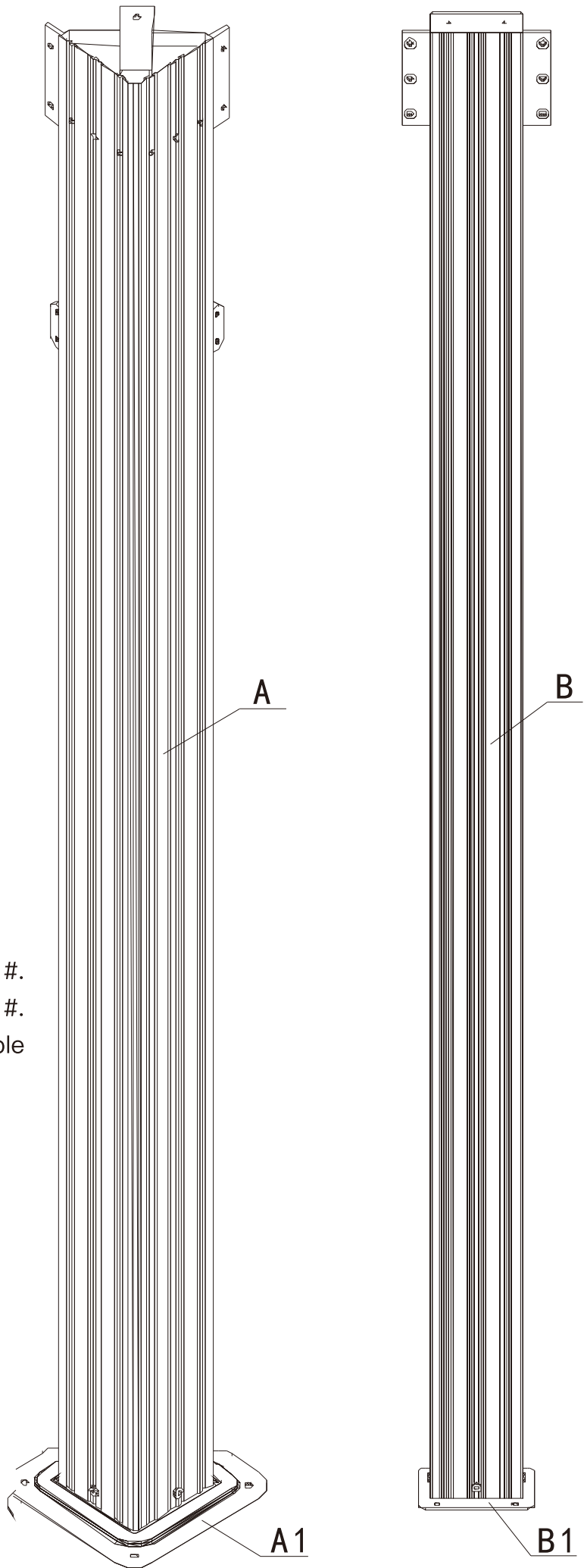
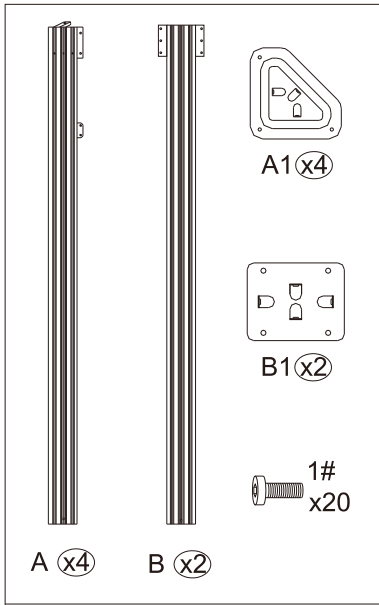


 <p>2080mm Corner Post A (x4)</p>		 <p>1126mm Joint Bar E5(x2)</p>	
 <p>2080mm Middle Post B (x2)</p>		 <p>1126mm Joint Bar E6(x2)</p>	
 <p>Base A1(x4)</p>	 <p>Base B1(x2)</p>	 <p>600mm Union Bar F(x6)</p>	 <p>600mm Union Bar F1(x2)</p>
 <p>2000mm Beam C(x4)</p>		 <p>Corner Roof Cover G(x4)</p>	 <p>Joint Cover H(x8)</p>
 <p>1877mm Sidewall Track C1(x4)</p>		 <p>1936mm Middle Support Tube J(x2)</p>	
 <p>1896mm Joint Bar C2(x2)</p>		 <p>555mm Corner Solidifying Bar J1(x4)</p>	 <p>555mm Corner Solidifying Bar J2(x4)</p>
 <p>1896mm Joint Bar C3(x2)</p>		 <p>Union Bar J3(x2)</p>	 <p>Bracket J4(x2)</p>
 <p>2000mm Beam D(x4)</p>		 <p>594mm Inside Roof K(x2)</p>	 <p>Roof Connector K1(x2)</p>
 <p>1877mm Sidewall Track D1(x4)</p>		 <p>1400mm Inside Roof K2(x1)</p>	
 <p>1896mm Joint Bar D2(x2)</p>		 <p>1158mm Solidifying Bar K3(x4)</p>	
 <p>1896mm Joint Bar D3(x2)</p>		 <p>1333mm Outside Roof L(x2)</p>	
 <p>1200mm Short Beam E1(x2)</p>		 <p>Roof Connector L1(x1)</p>	
 <p>1200mm Short Beam E2(x2)</p>		 <p>1400mm Solidifying Bar L2(x1)</p>	
 <p>1133mm Sidewall Track E3(x2)</p>			
 <p>1133mm Sidewall Track E4(x2)</p>			

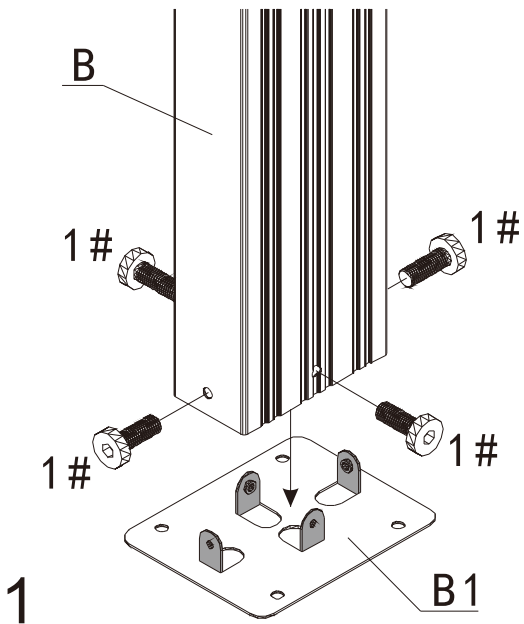
<p>Corner Roof Tube  Mb(x4)</p> <p> Ma(x4)</p> <p>M(x4)</p>	 R(x8)	 R1(x6)	 S(x184)
<p>Middle Roof Tube  N(x2)</p>	<p> Finishing Bars T(x2)</p>		
<p>Middle Roof Tube  N1(x4)</p>	<p> Finishing Bars T1(x2)</p>		
<p>Middle Roof Tube  N2(x2)</p>	<p> Finishing Bars T2(x2)</p>		
<p>Finishing Bars  P(x2)</p>	<p> Finishing Bars T3(x4)</p>		
<p>Finishing Bars  P1(x2)</p>	<p>Finishing Bars  P2(x2)</p>	<p> Solidifying Bar U1(x4)</p>	
<p>Finishing Bars  P3(x4)</p>		<p> Solidifying Bar U2(x4)</p>	
<p>Net Frame  Q(x2)</p>		<p>Bracket  U3(x4)</p>	<p>Bracket  U4(x8)</p>
<p>Net Frame  Q1(x2)</p>	<p>Net Frame  Q2(x2)</p>	<p> Solidifying Bar U5(x4)</p>	
<p>Net Frame  Q3(x2)</p>			
<p>Net Frame  Q4(x2)</p>			
<p>Solidifying Bar  O(x3)</p>		<p>J-Hooks  O1(x3)</p>	
<p>Roof Panels  V1(x2)  V2(x2)  V3(x2)  V4(x2)</p>	<p>Roof Panels  V5(x2)  V6(x2)  V7(x2)  V8(x2)  V8(x2)</p>		
<p>Roof Panels  W1(x2)  W2(x2)  W3(x2)  W4(x2)  W5(x2)  W6(x2)  W7(x2)  W8(x2)</p>		<p>Roof Panels  W8(x2)</p>	

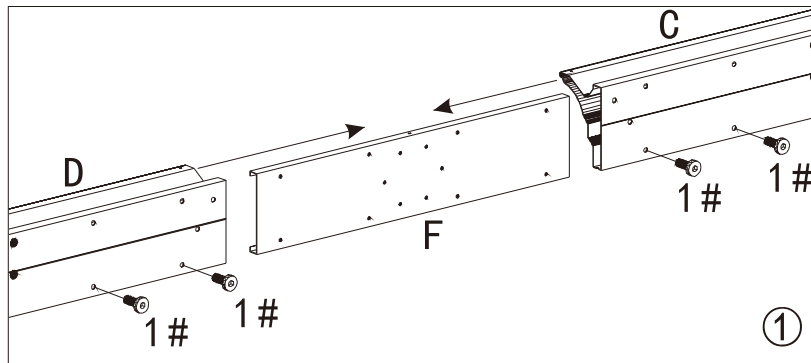
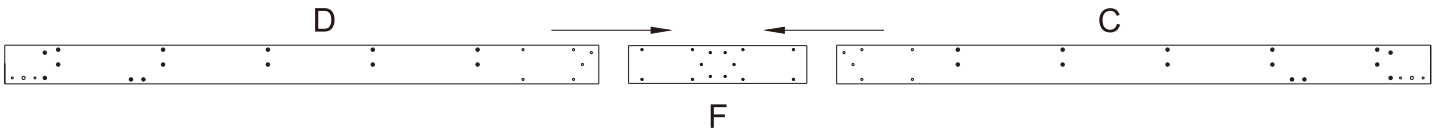
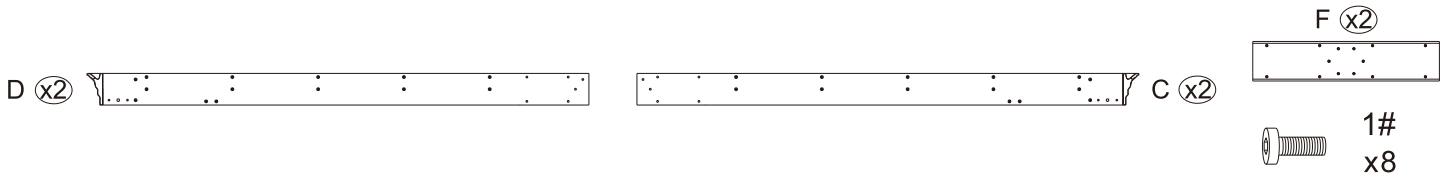


	M6x16	Bolts	1# x401
	M6x20	Bolts	2# x24
		Bolts	3# x16
		Hooks	4# x168
	M6x28	Bolts	5# x112
	M6x45	Bolts	6# x12
	M6x50	Bolts	7# x56
	M5x16	Bolts	8# x8
	ST4.8x13	Screws	9# x32
	M6x25	Bolts	10# x4
	M6x10	Bolts	11# x48
	Silicone Sealant		12# x1
	ST6.3x16	Screws	13# x4
	Stakes	x1	
	Stakes	x2	
	Wrench	x1	
	Wrench	x1	

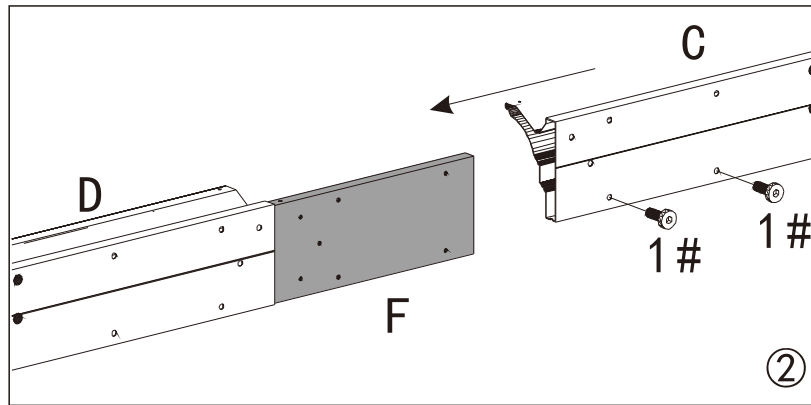


- (1) Attach Part #A1 to Part #A with 3 Bolts 1#.
- (2) Attach Part #B1 to Part #B with 4 Bolts 1#.
- (3) Repeat the above procedures to assemble the other 3 Part #A and 1 Part #B.

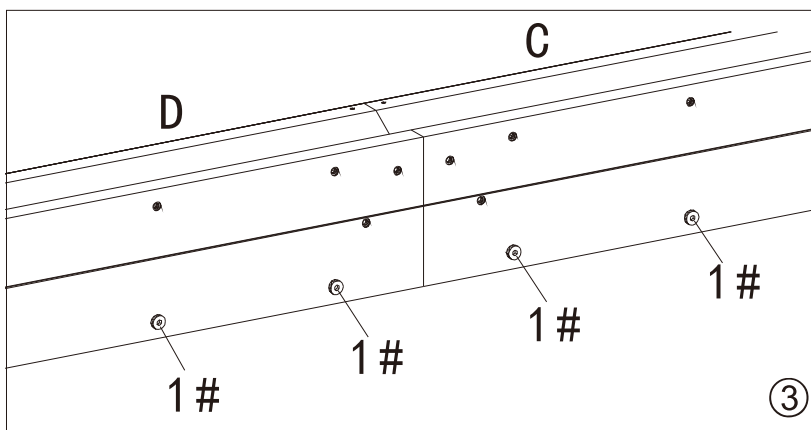




(1) Insert Part #F into Part #D and secure with 2 Bolts 1#.

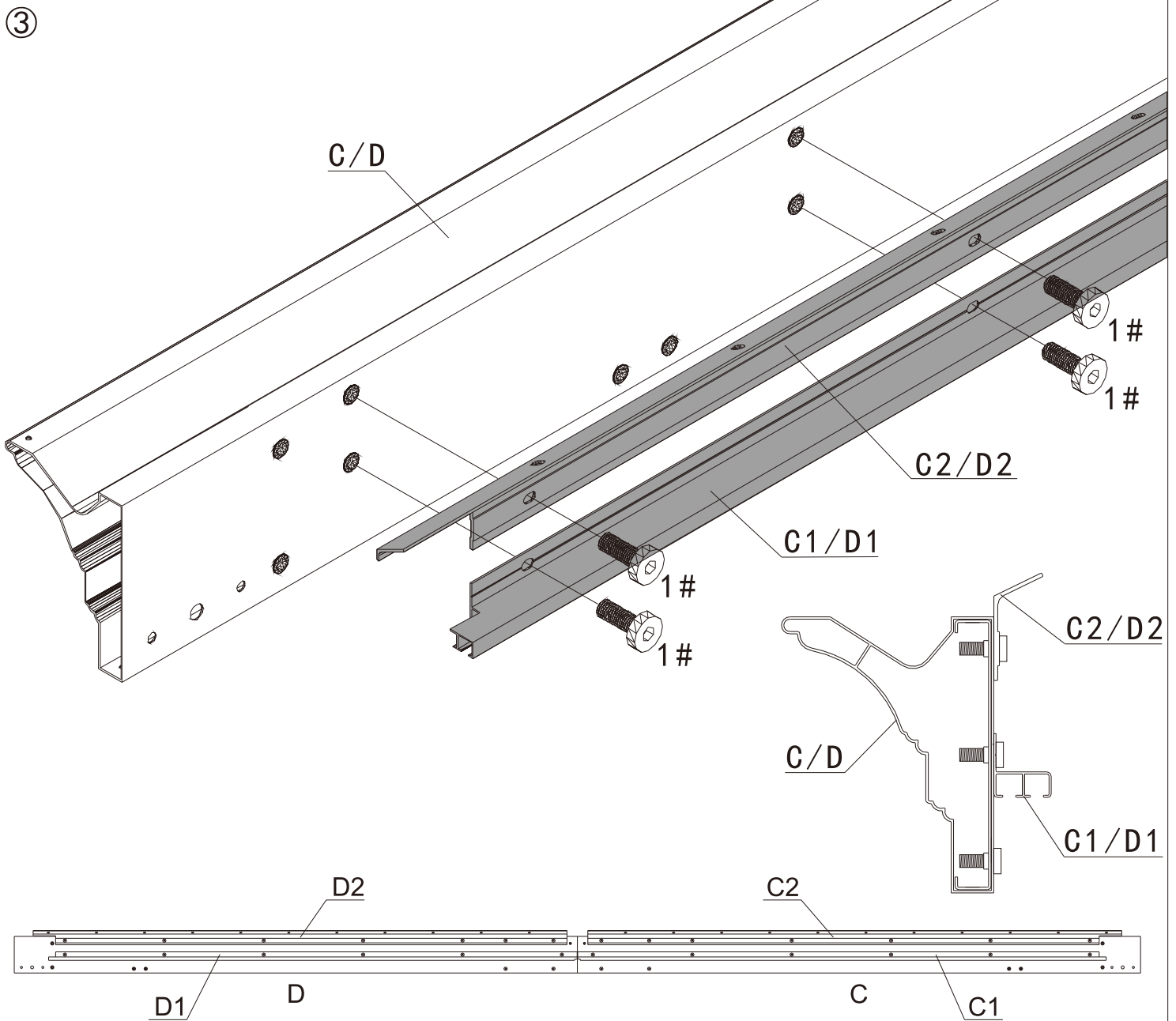
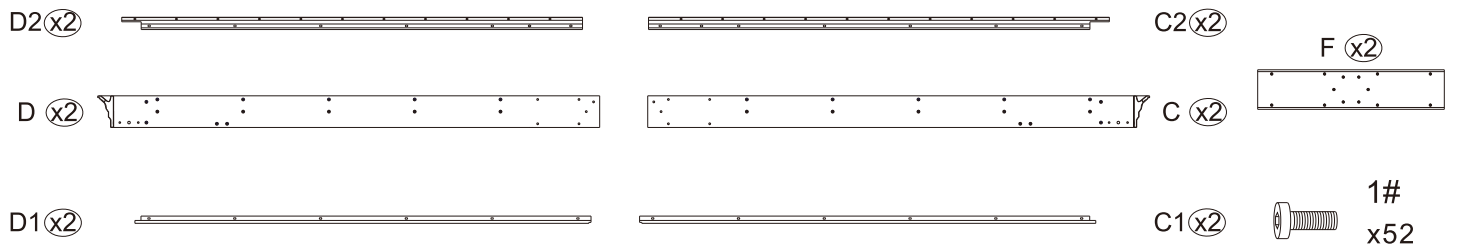


(2) Insert the other side of Part #F into Part #C and secure with 2 Bolts 1#.



2

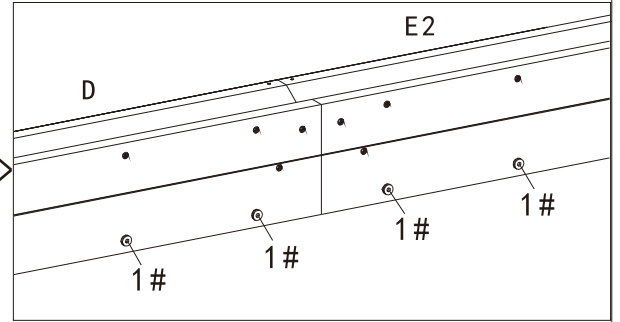
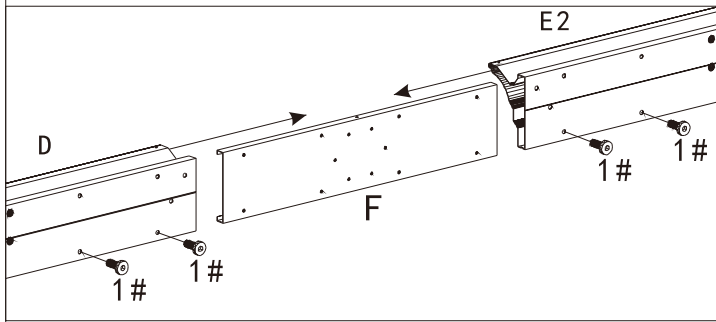
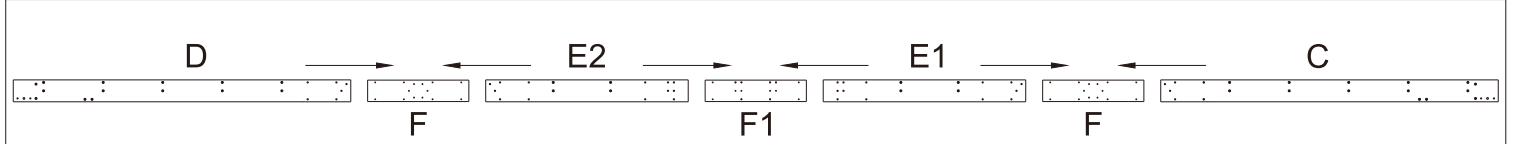
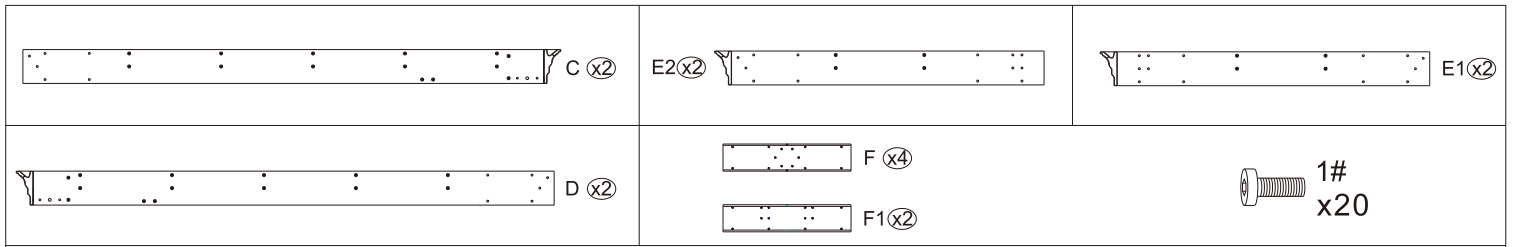
(3) Repeat the above procedures to assemble another Part #D, Part #C and Part #F.



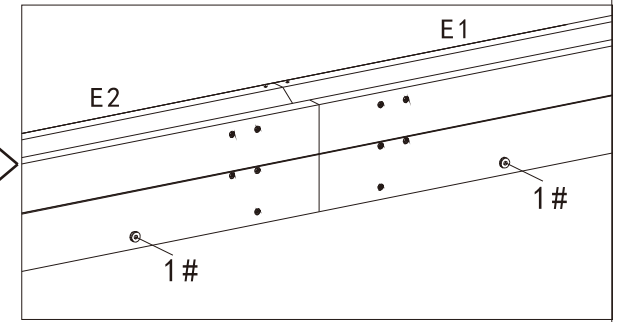
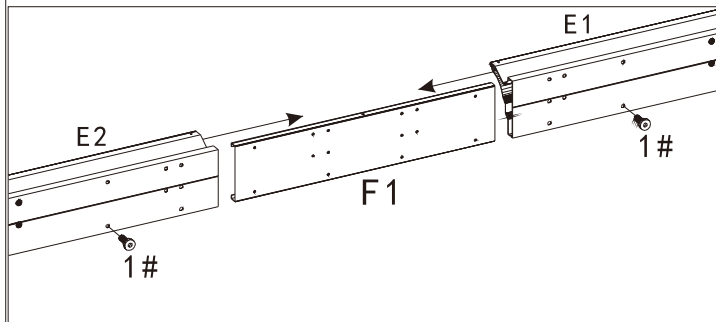
(1) Attach Part #D2 to Part #D with 7 Bolts 1#; Attach Part #D1 to Part #D with 6 Bolts 1# as shown.

(2) Attach Part #C2 to Part #C with 7 Bolts 1#; Attach Part #C1 to Part #C with 6 Bolts 1# as shown.

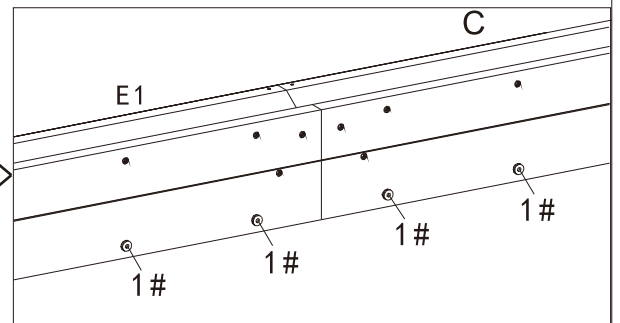
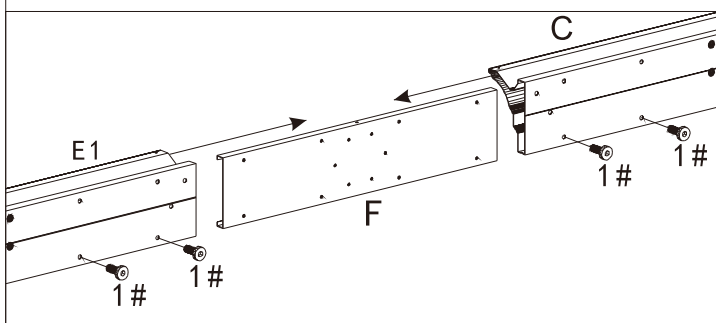
(3) Repeat the above procedures to assemble another Part #D and Part #C.



(1) Use Part #F to connect Part #D and Part #E2, and secure with 4 Bolts 1#.



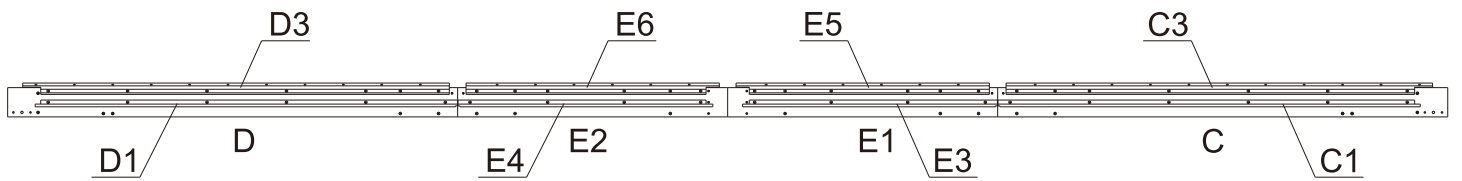
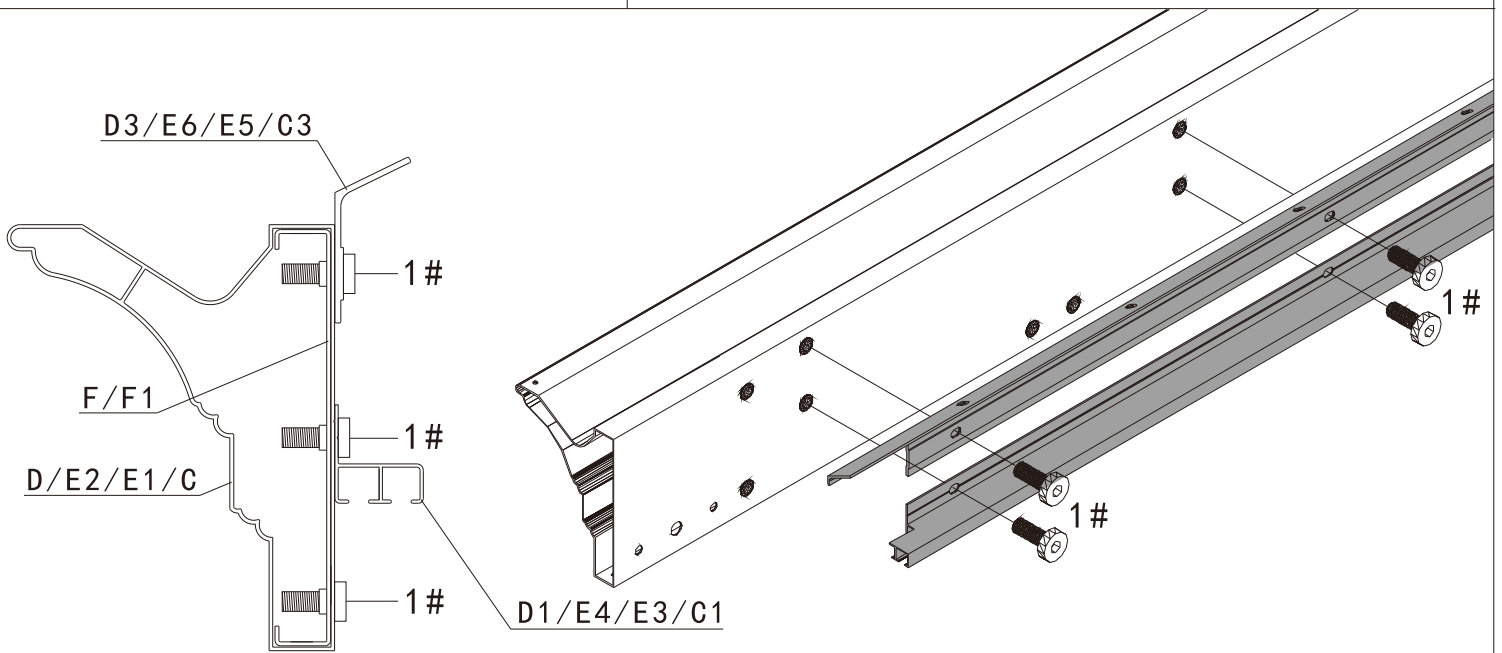
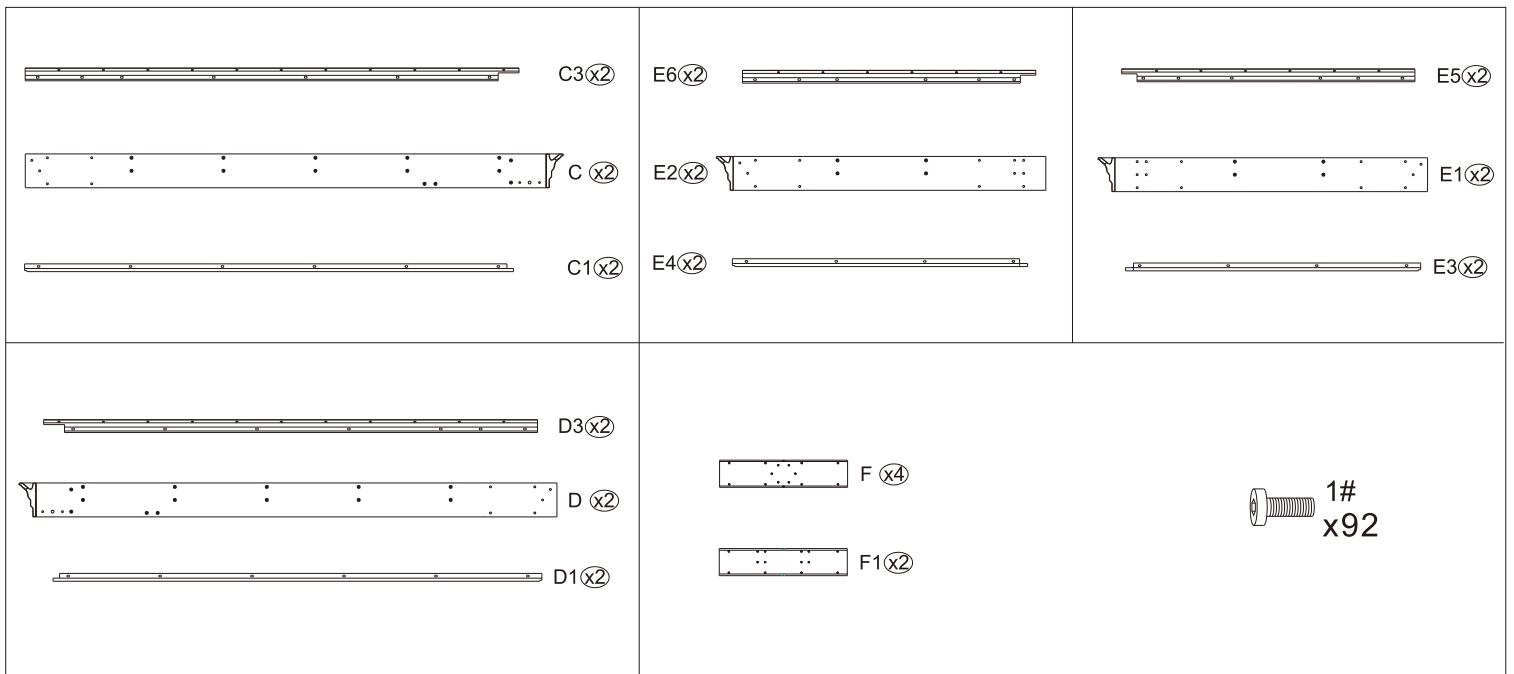
(2) Use Part #F1 to connect Part#E2 and Part #E1, and secure with 2 Bolts 1#.



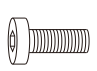
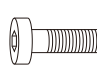
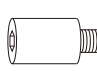
(3) Use Part #F to connect Part #E1 and Part #C, and secure with 4 Bolts 1#.

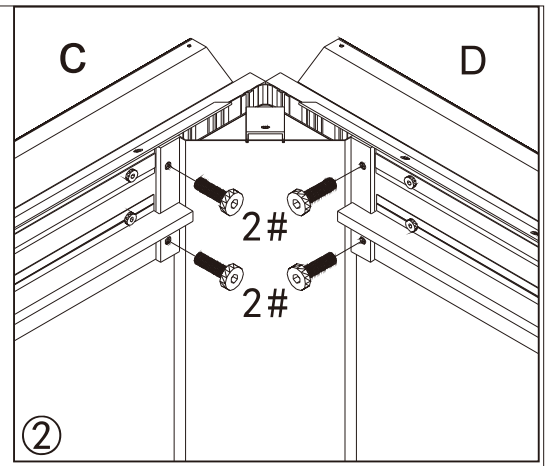
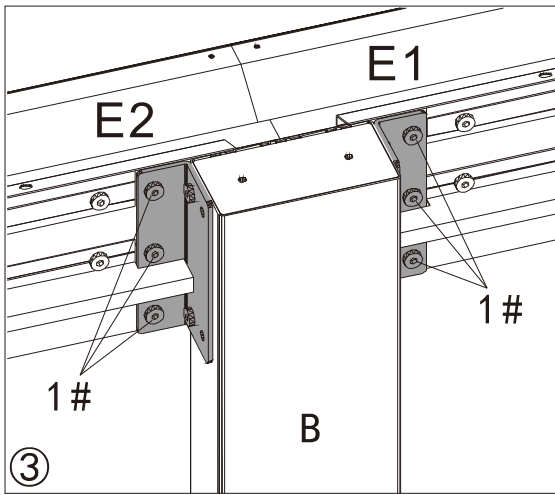
(4) Repeat the above procedures to assemble another Part #D, Part #E2, Part #E1,

4 Part #C.

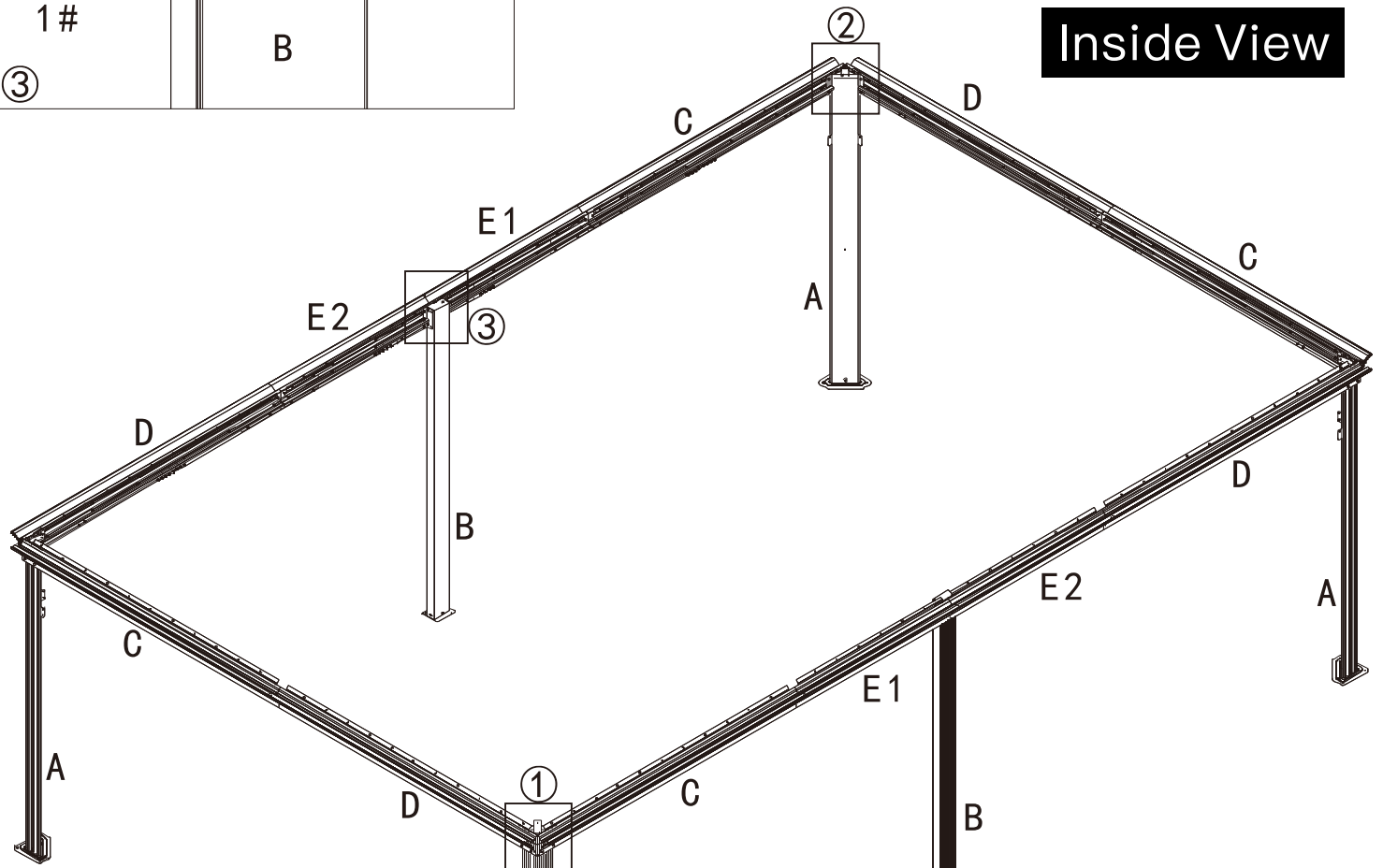


- (1) Attach Part #D1 to Part #D with 6 bolts 1#; Attach Part #D3 to Part #D with 7 Bolts 1#.
- (2) Attach Part #E4 to Part #E2 with 4 bolts 1#; Attach Part #E6 to Part #E2 with 6 Bolts 1#.
- (3) Attach Part #E3 to Part #E1 with 4 bolts 1#; Attach Part #E5 to Part #E1 with 6 Bolts 1#.
- (4) Attach Part #C1 to Part #C with 6 bolts 1#; Attach Part #C3 to Part #C with 7 Bolts 1#.
- (5) Repeat the above procedures to assemble another Part #D, Part #E2, Part #E1, Part #C.

-  1# x12
-  2# x16
-  3# x16



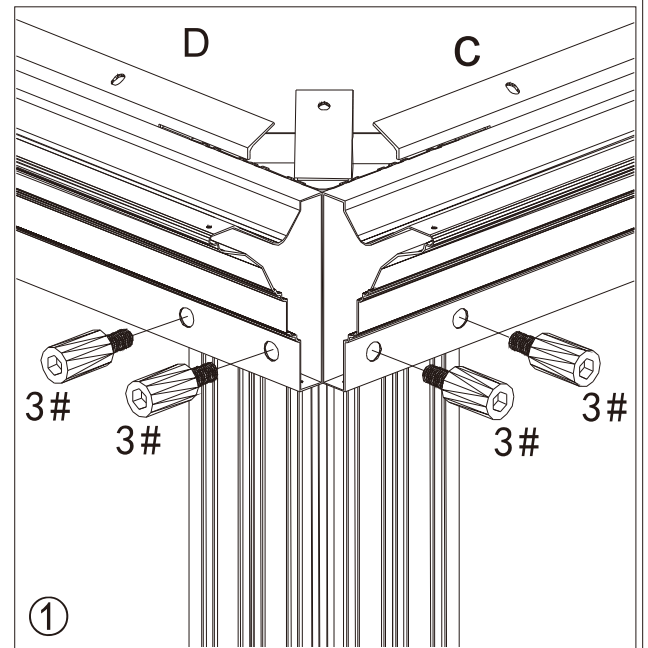
Inside View

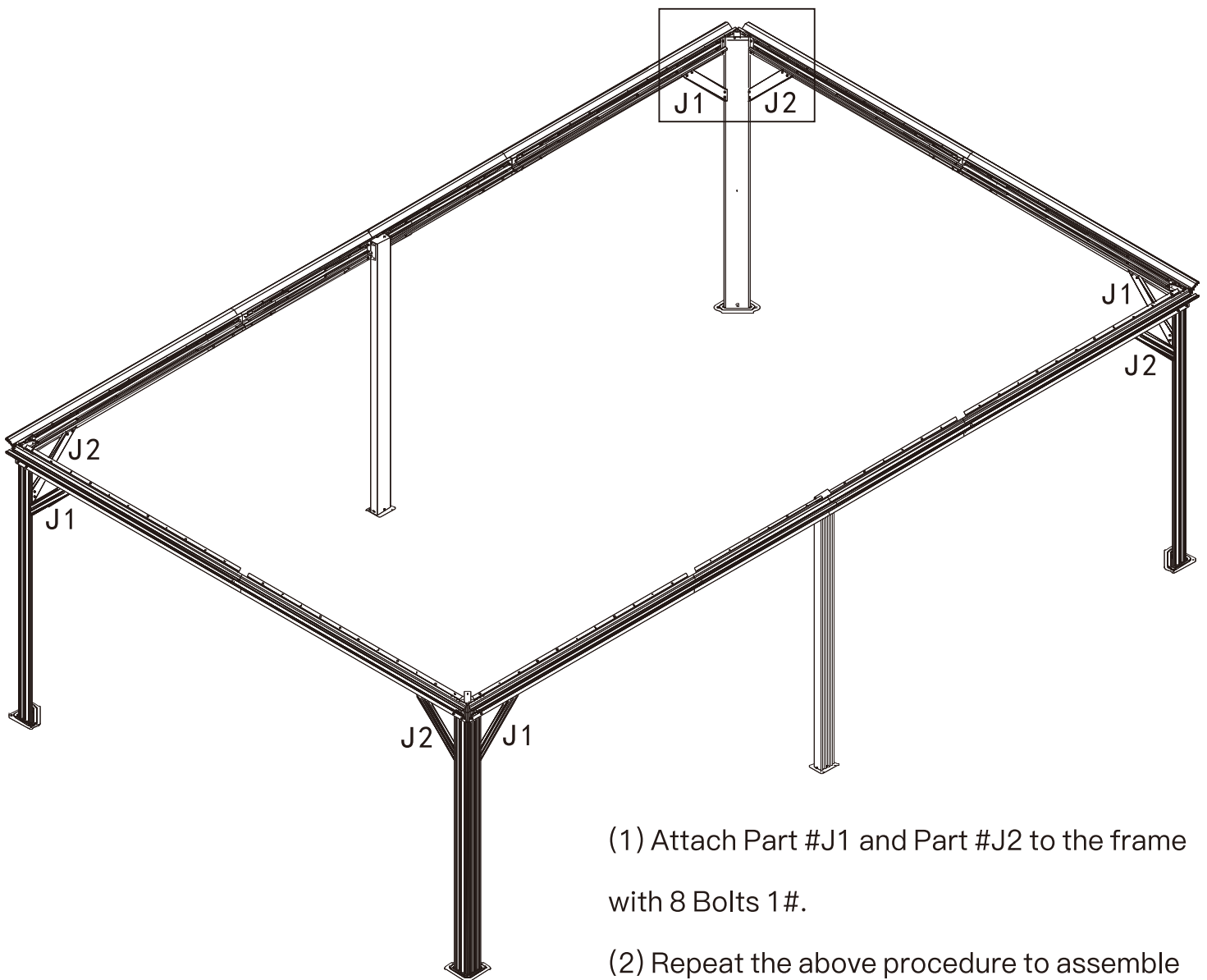
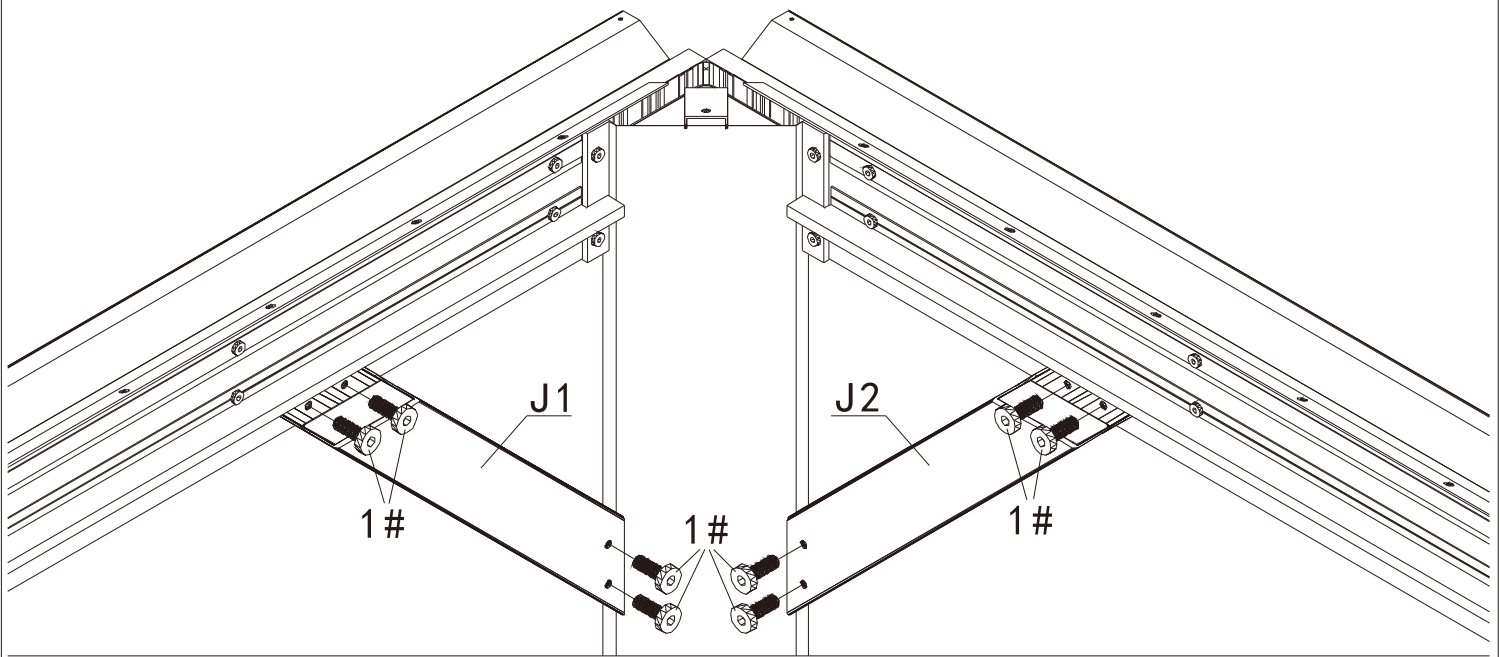
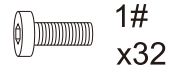


Outside View

- ① Connect Part #C and Part #D to Part #A with 4 Bolts 3#. (From Outside)
- ② Connect Part #C and Part #D to Part#A with 4 Bolts 2#. (From Inside)
- ③ Connect Part #B to assembled Part #E1&#E2 with 6 Bolts 1#. (From Inside)

Repeat the above procedures to assemble the other 3 Parts #A and another Part #B.





(1) Attach Part #J1 and Part #J2 to the frame with 8 Bolts 1#.

(2) Repeat the above procedure to assemble the other 3 corners.

J (x2)

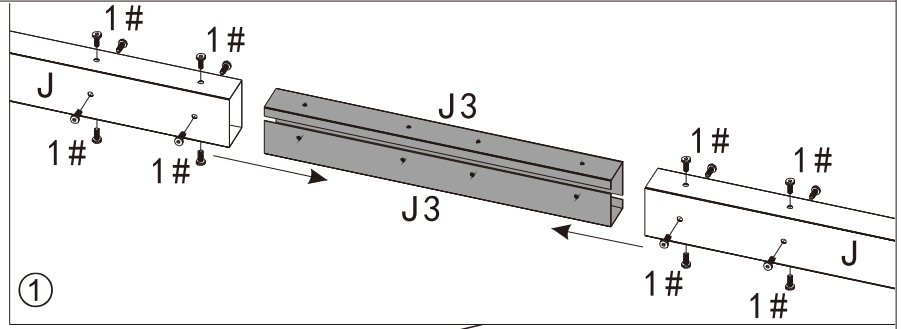
J3 (x2)

J4 (x2)

1#
x32



(1) Use part #J3 to connect two middle support tubes #J, and secure with 16 Bolts 1#.

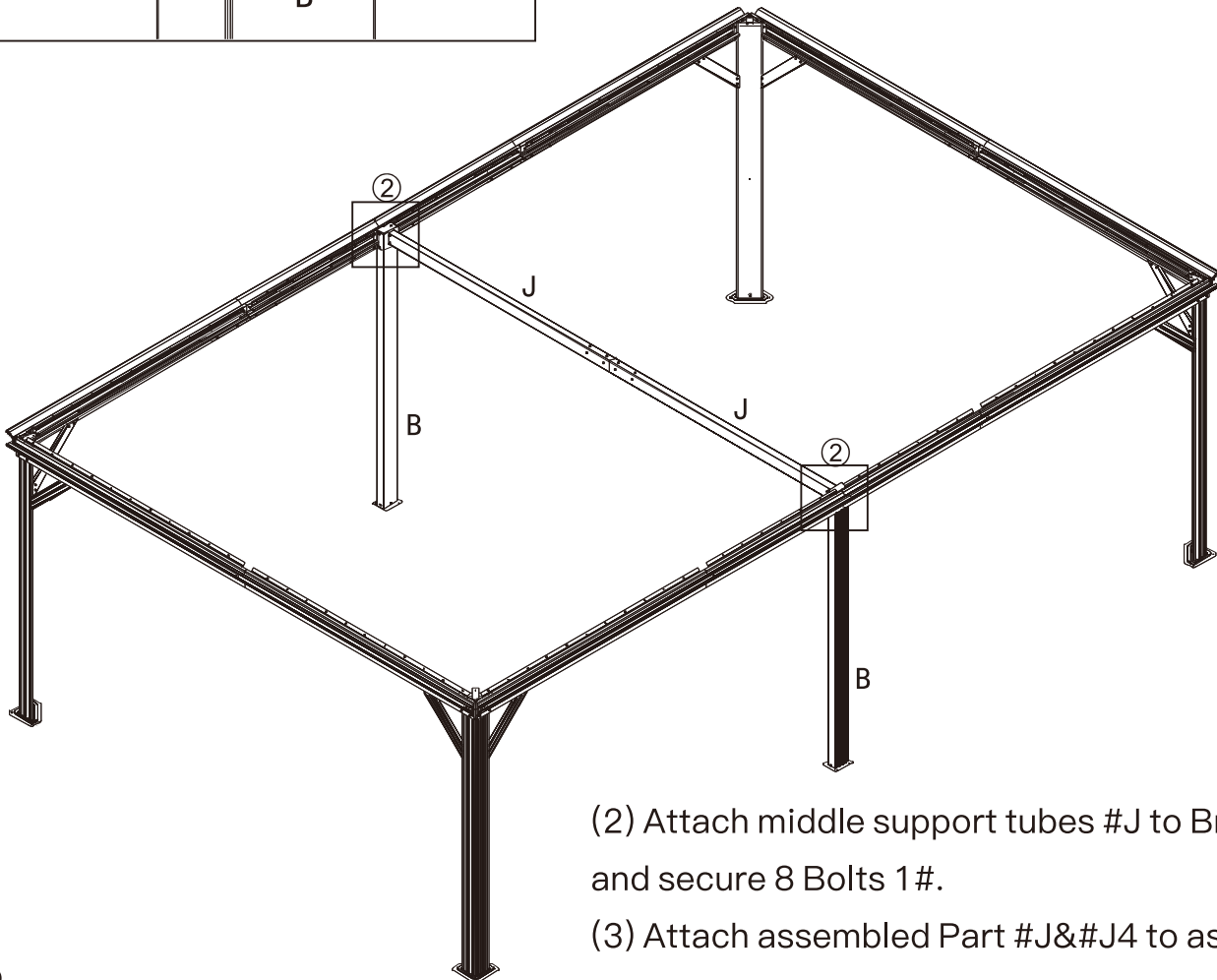
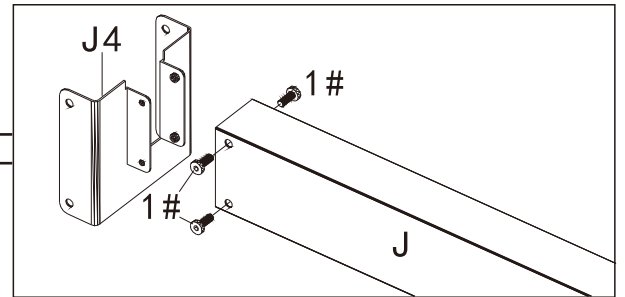
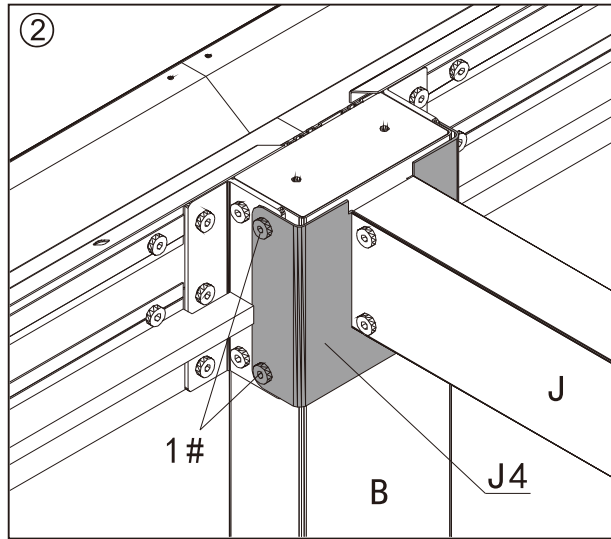
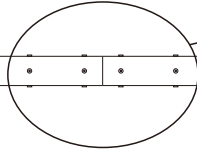


J4

J

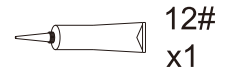
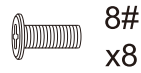
J

J4

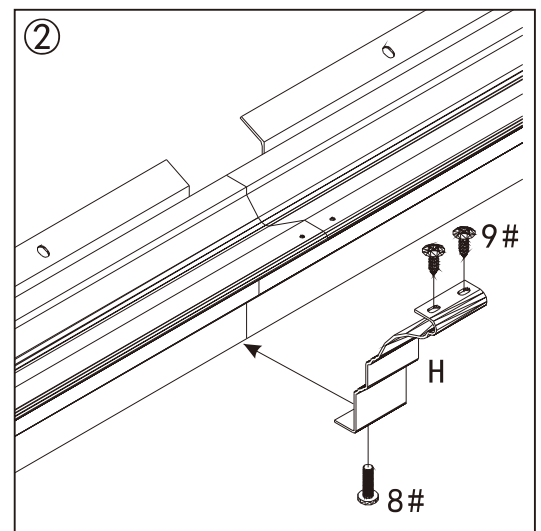
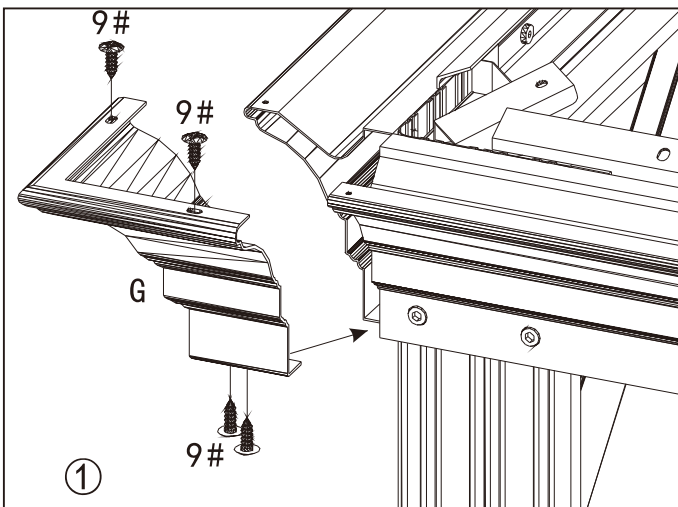
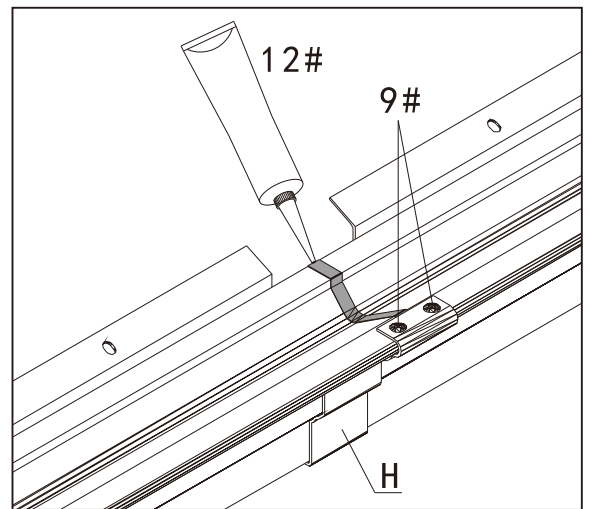
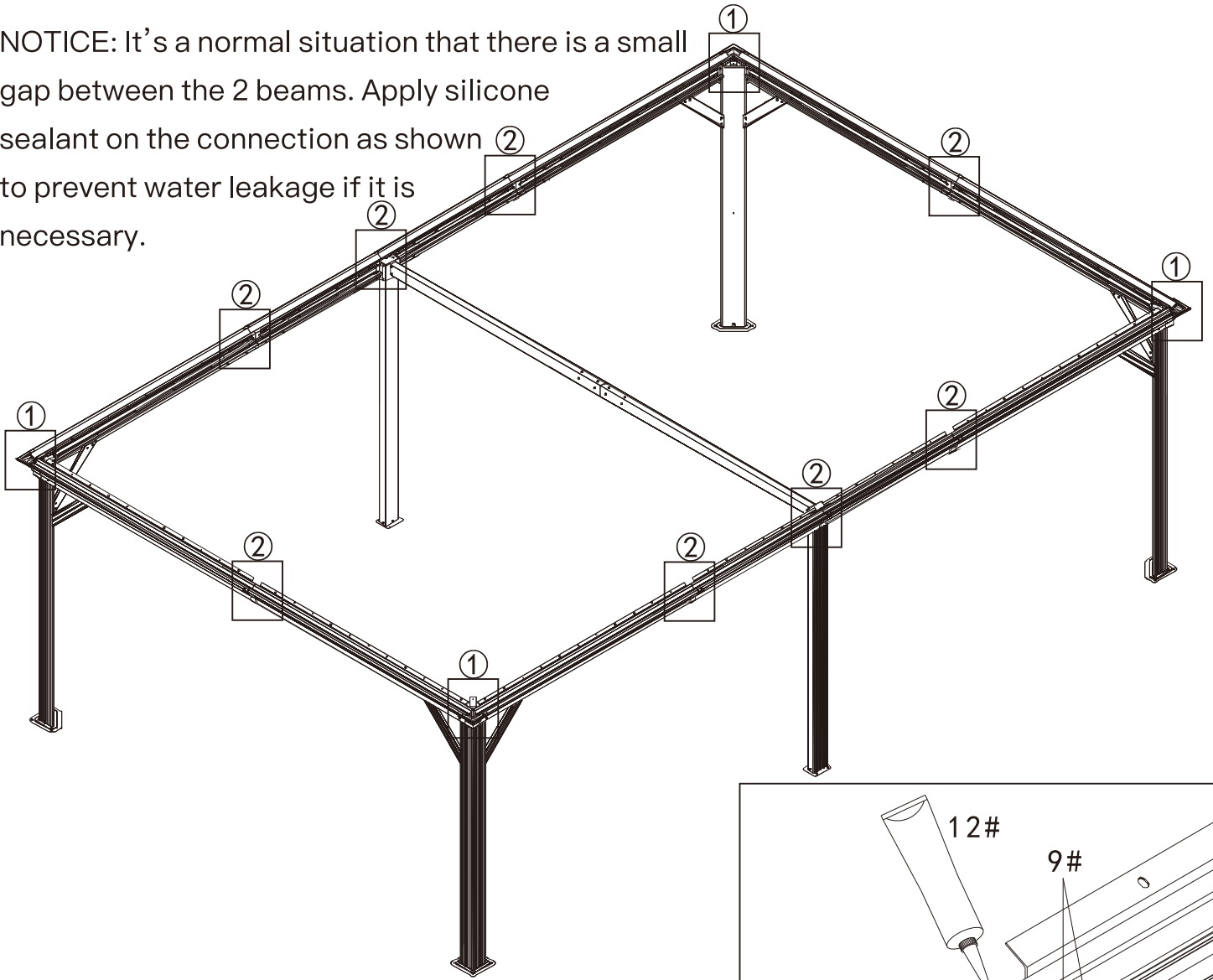


(2) Attach middle support tubes #J to Bracket #J4 and secure 8 Bolts 1#.

(3) Attach assembled Part #J&#J4 to assembled Beams #E1&E2 and secure 8 Bolts 1#.

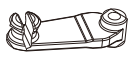


NOTICE: It's a normal situation that there is a small gap between the 2 beams. Apply silicone sealant on the connection as shown to prevent water leakage if it is necessary.



(1) Cover the corner with Part#G and secure with 4 Screws 9#.

(2) Cover Part #H over the connection, secure with 2 Bolts #9 and 1 Bolt 8#.

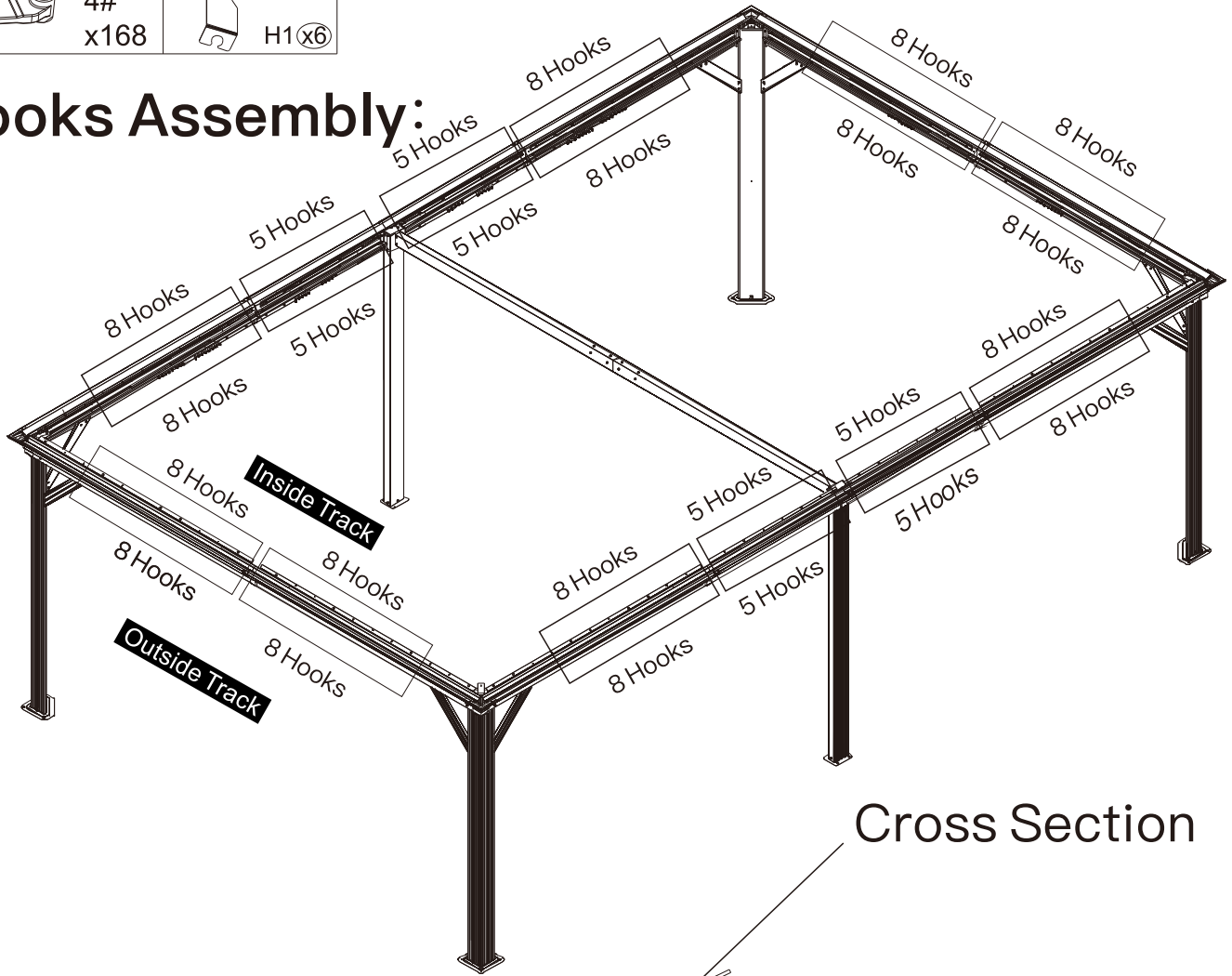


4#
x168

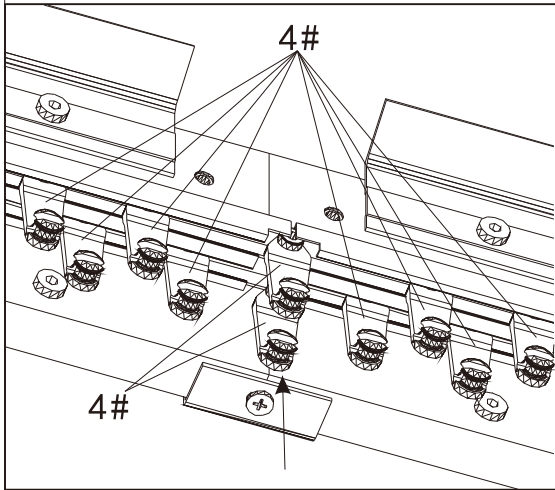


H1 (x6)

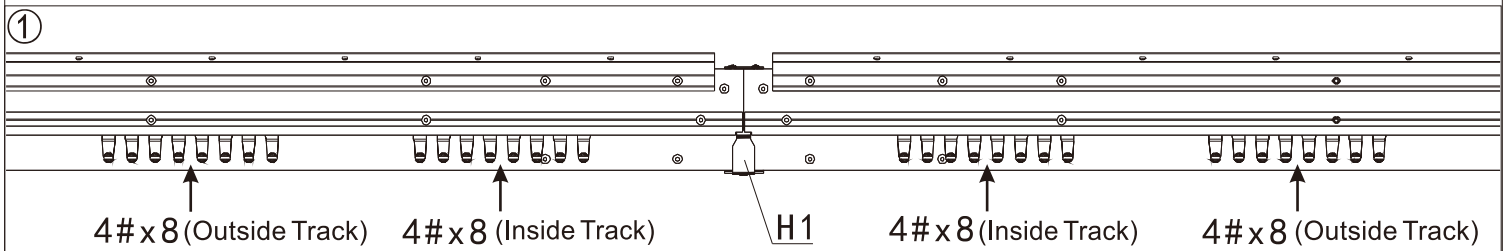
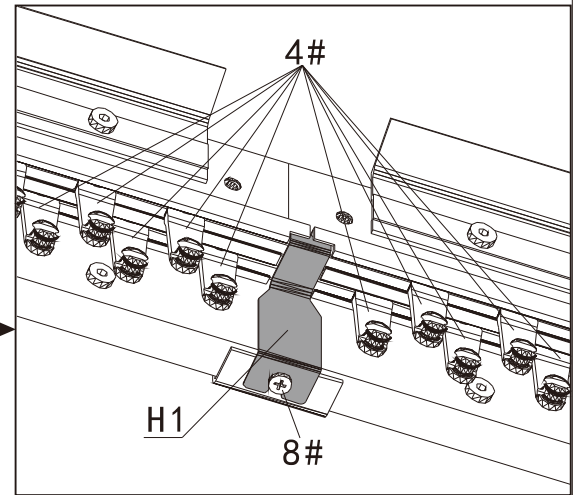
Hooks Assembly:



Cross Section



4#(Outside Track)
4#(Inside Track)



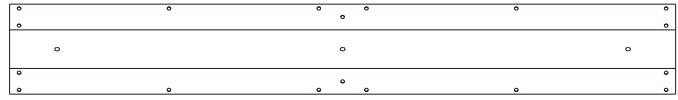
After inserting hooks into tracks, use Part #H1 and Bolt 8# to lock them as shown.



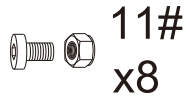
K x2



K1 x2

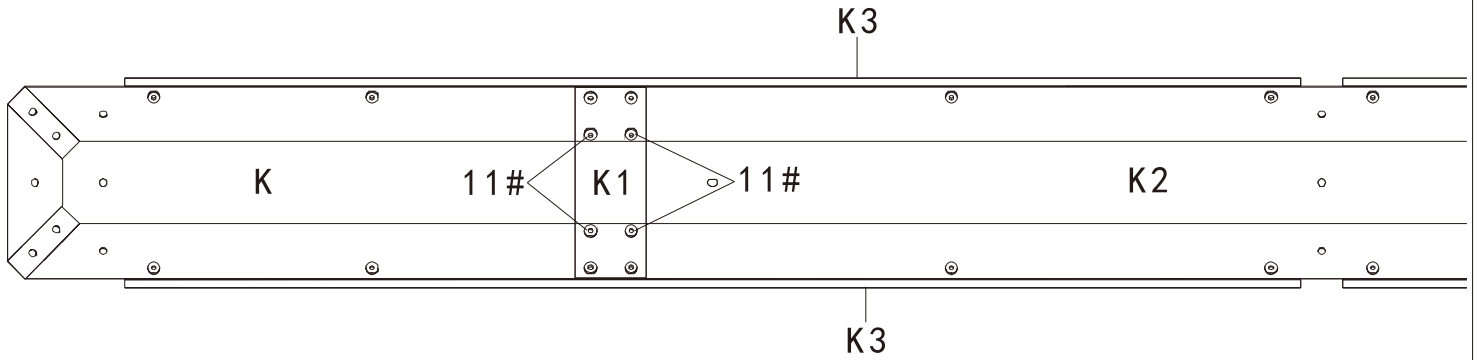


K2 x1

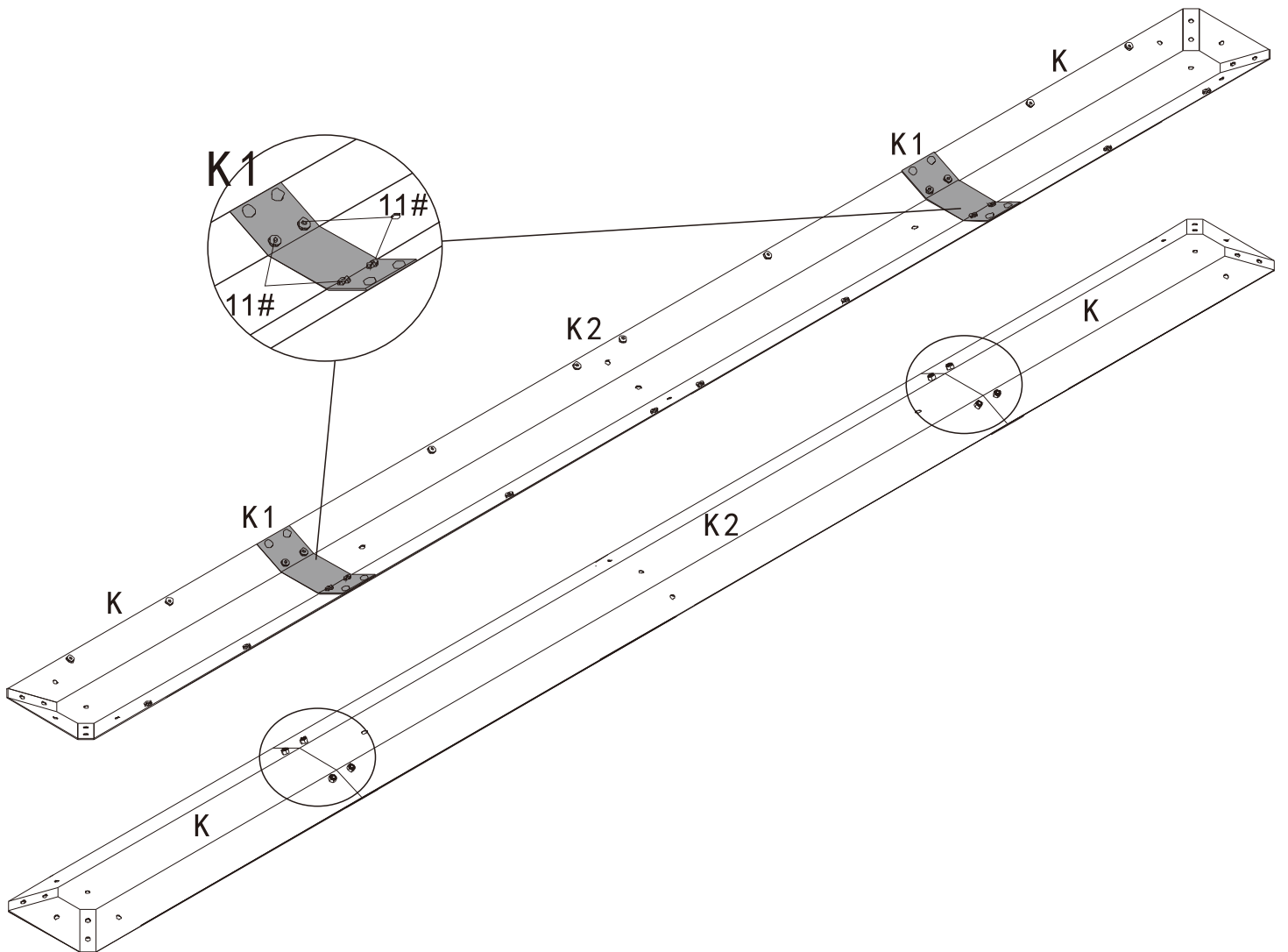


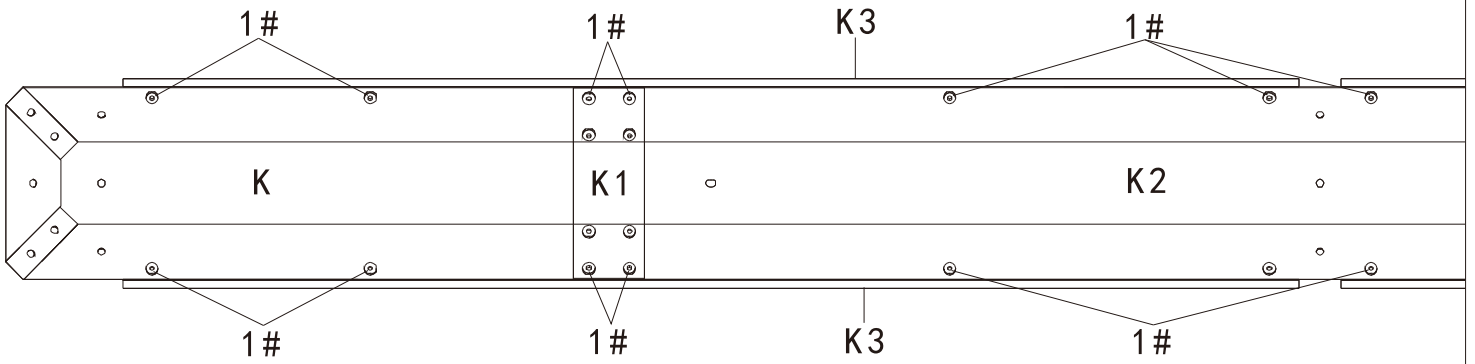
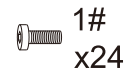
11#

x8



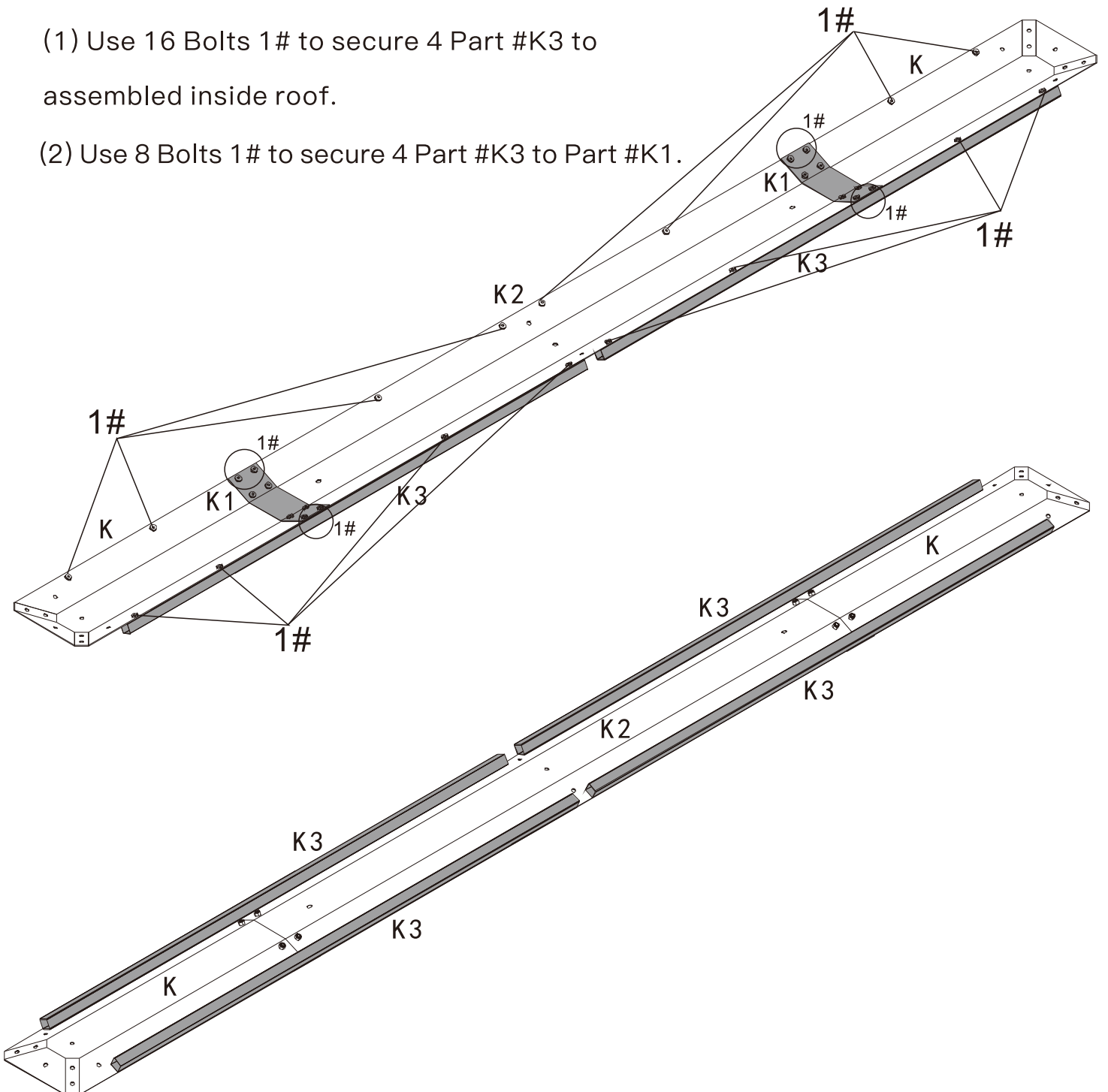
(1) The 2 Parts #K and Part #K2 are connected by 2 Parts #K1, then secure with 8 Bolts 11# and nuts.





(1) Use 16 Bolts 1# to secure 4 Part #K3 to assembled inside roof.

(2) Use 8 Bolts 1# to secure 4 Part #K3 to Part #K1.



Mb (x4)

Ma (x4)

2#
x8

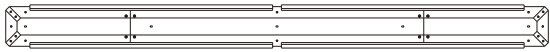
Corner Roof Bars Assembly:



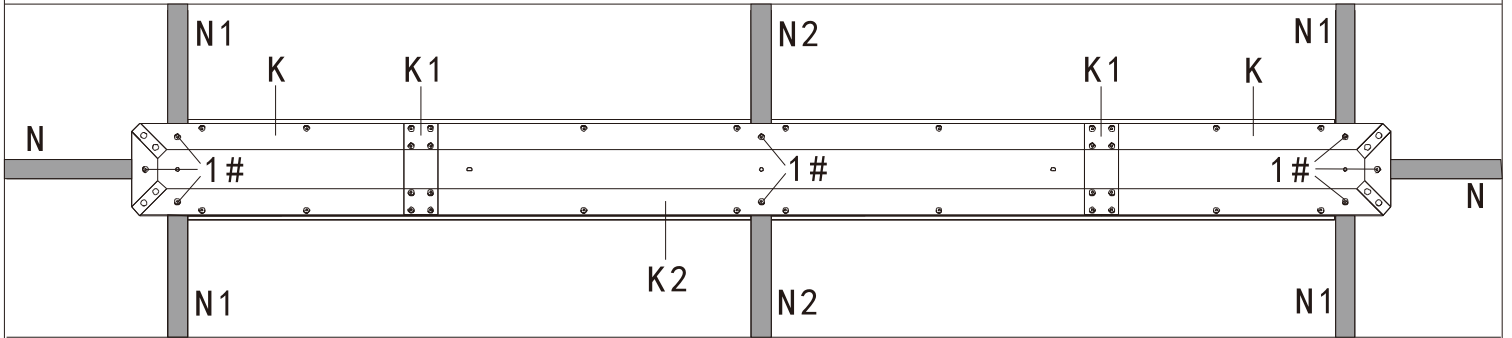
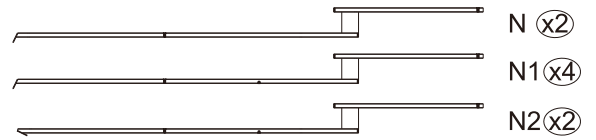
M

(1) Connect Part #Ma and Part #Mb with 2 Bolts 2# .

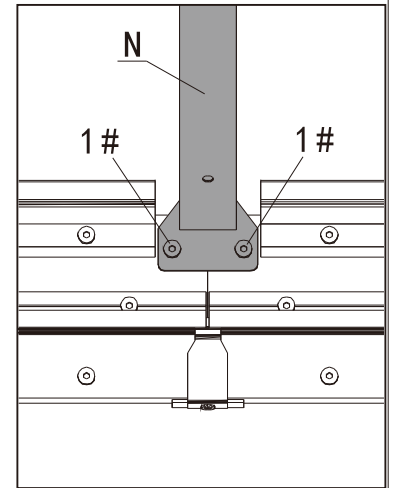
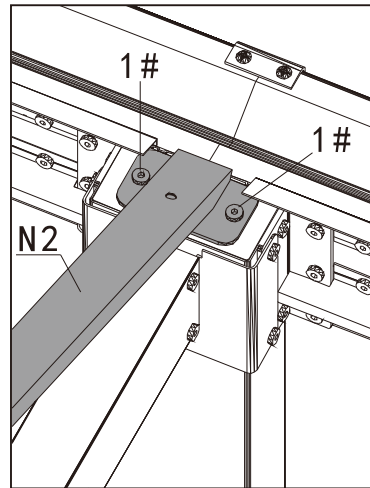
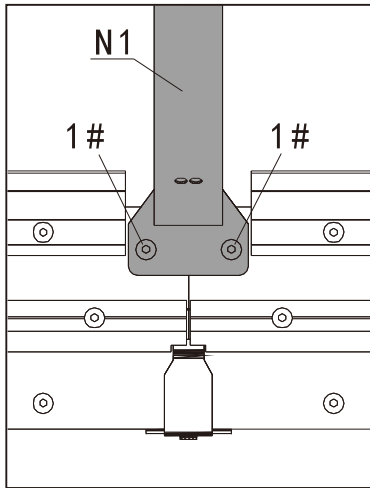
(2) Repeat the above procedure to assemble the other 3 corner roof bars.



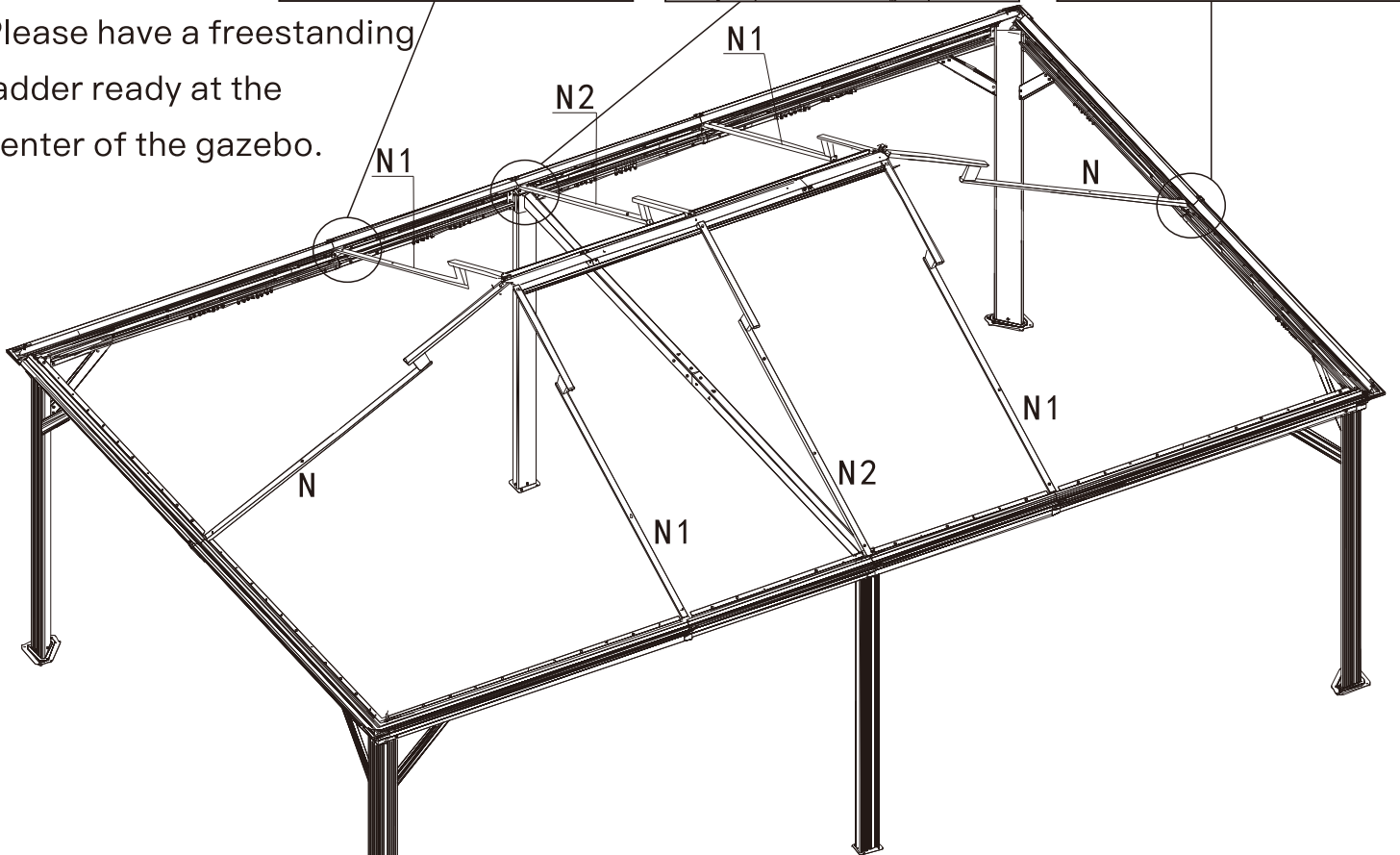
1#
x24



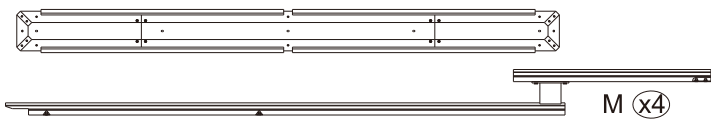
Middle Roof Tube #N&N1&N2 Assembly:



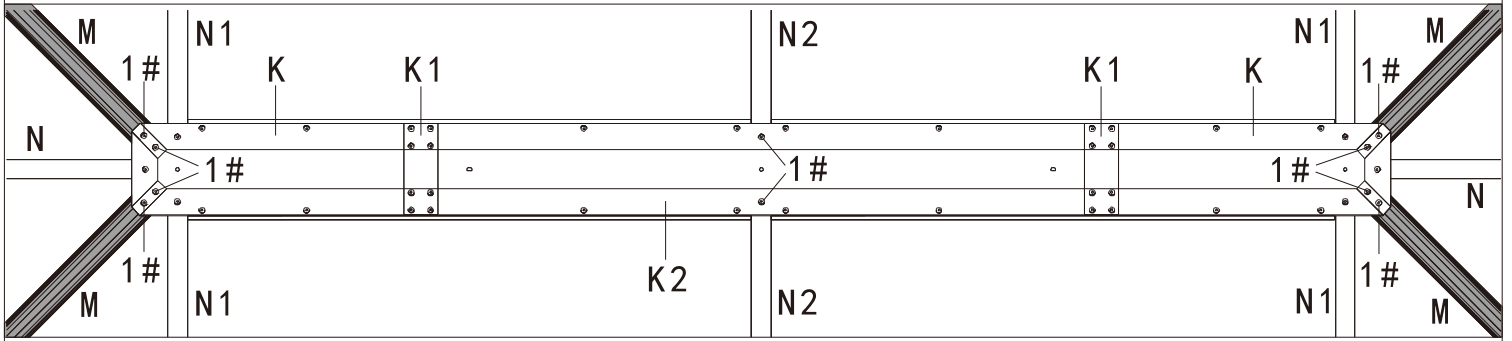
Please have a freestanding ladder ready at the center of the gazebo.



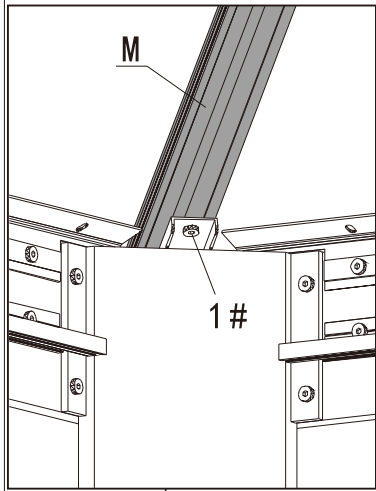
- (1) Place assembled Middle Roof Tubes #N&N1&N2 on the Inside Roof (Parts #K&K2) with 8 Bolts 1#.
- (2) Place assembled Corner Roof Tubes #N&N1&N2 on the assembled beams with 16 Bolts 1#.



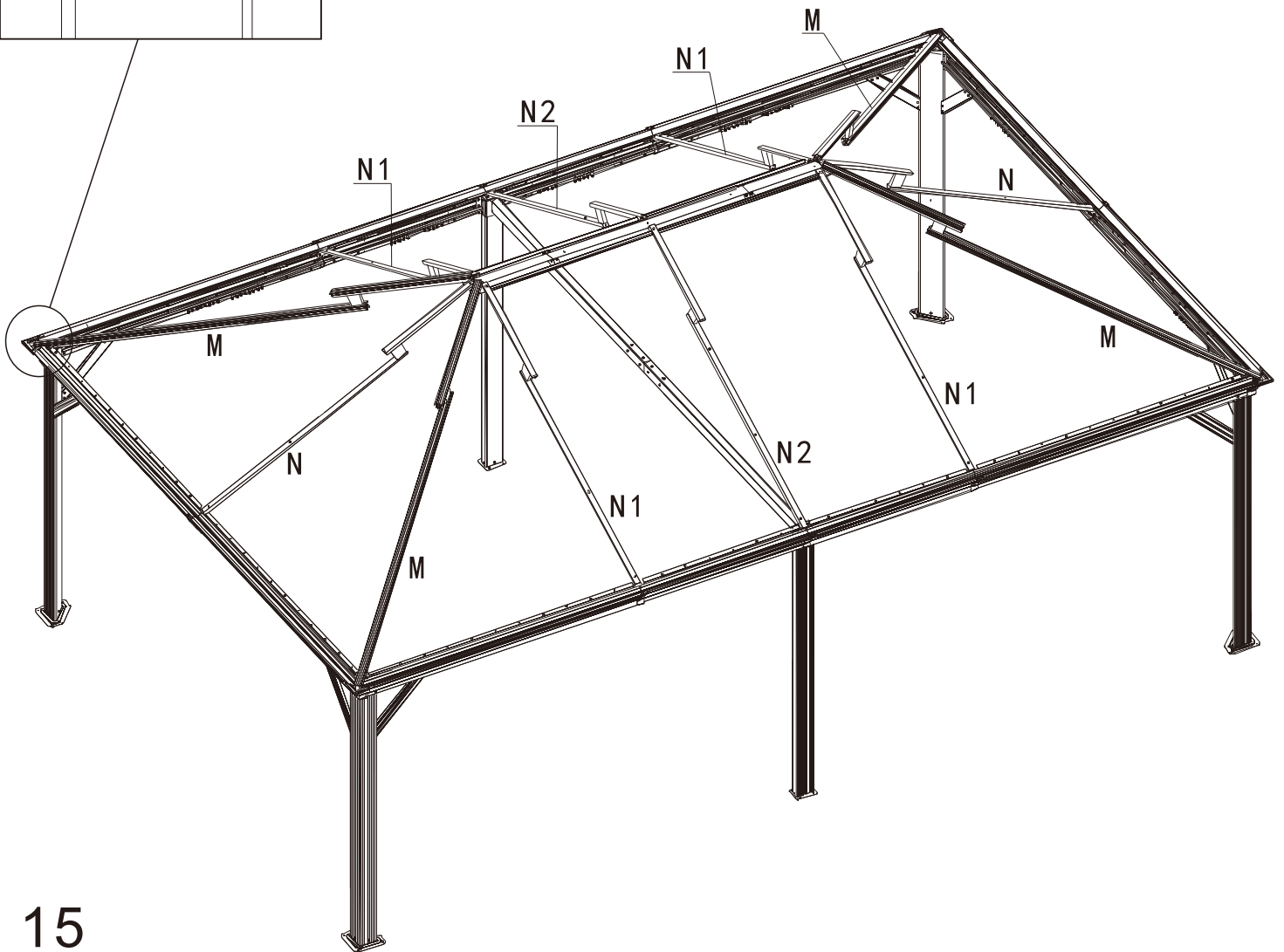
1#
x12

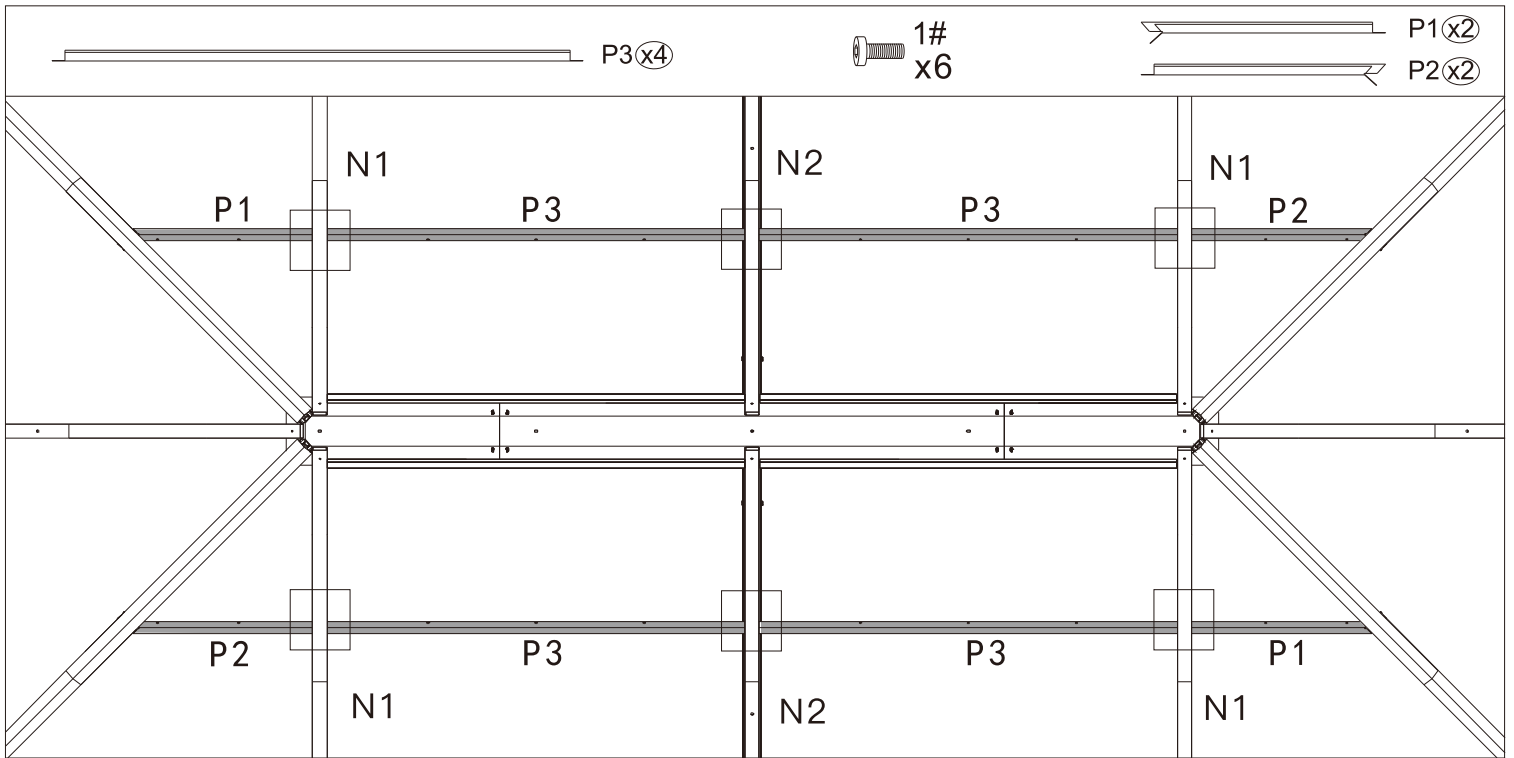


Corner Roof Tubes #M Assembly:



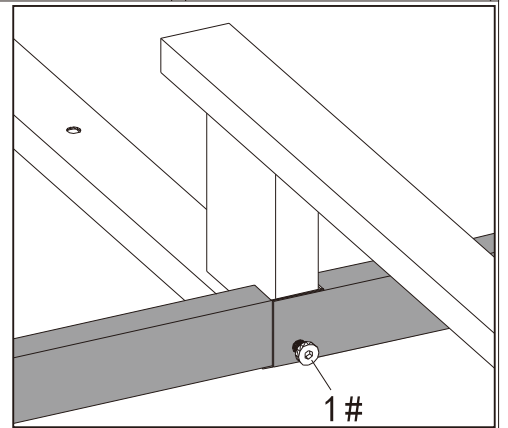
- (1) Place Corner Roof Tubes #M on the assembled Inside Roof and secure with 2 Bolts 1# as shown.
- (2) Place Corner Roof Tubes #M on the corner and secure with 1 Bolt 1# as shown.
- (3) Repeat the above procedures to assemble the other 3 Parts #M.



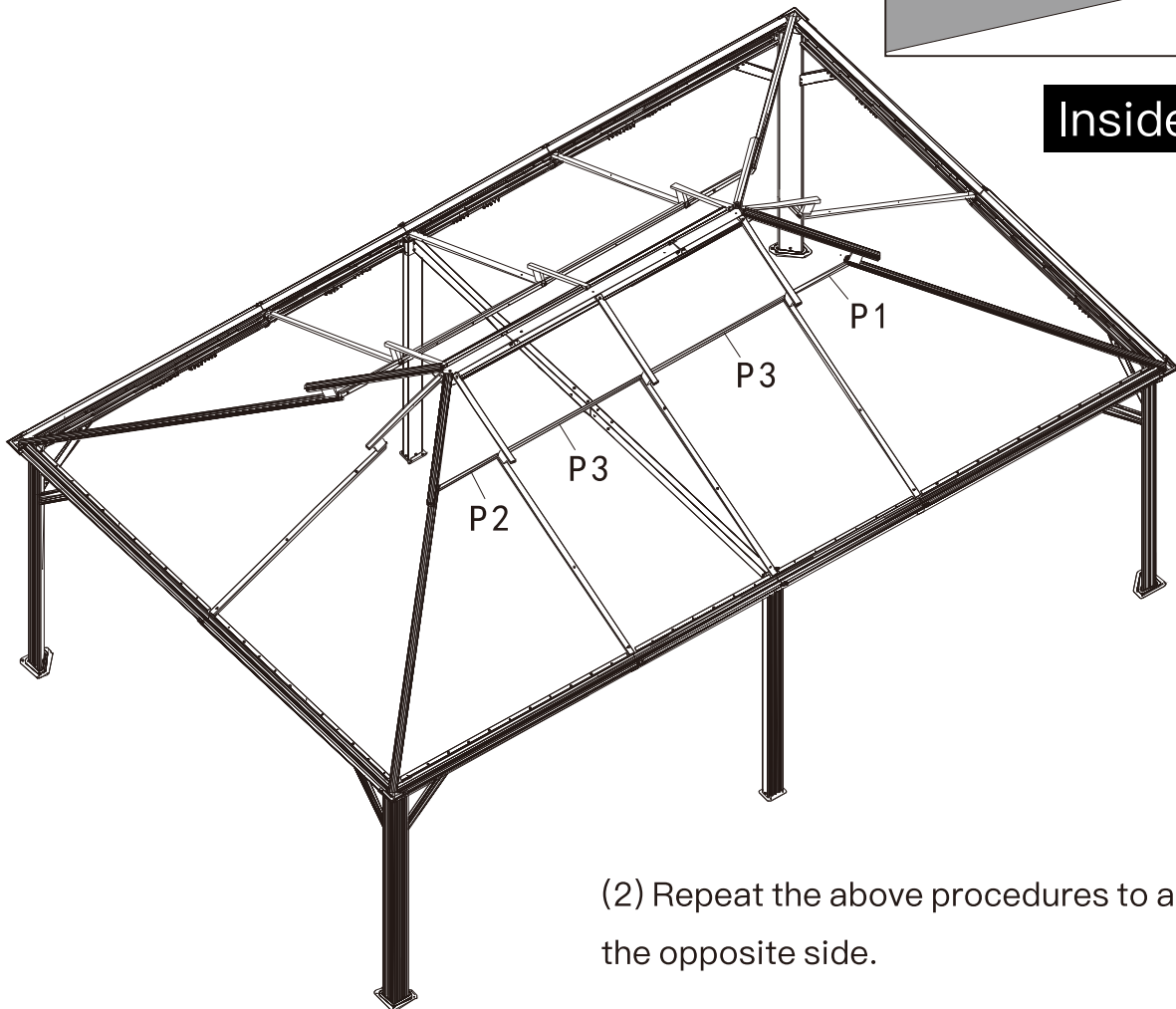


(1) Attach the solidifying bars (Part #P1 & Part #P2 & Part #P3) to the roof tubes (Part #N1 & Part #N2) with 3 Bolts 1#.

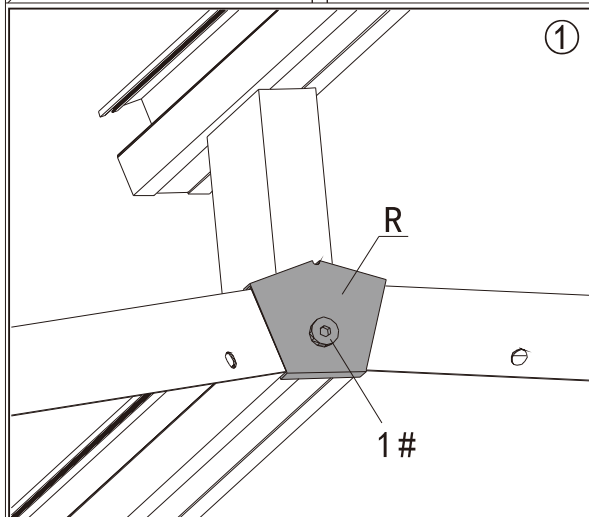
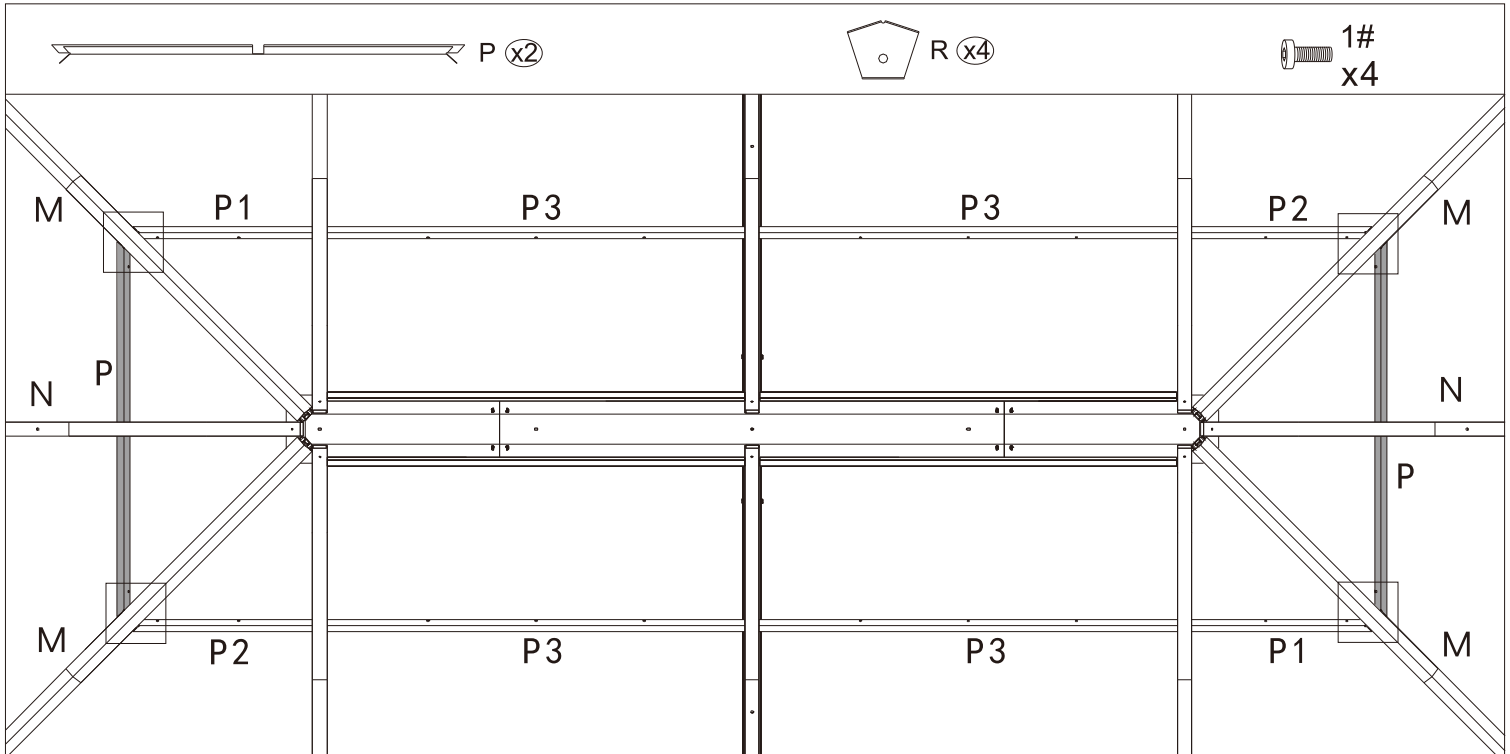
Attention: You can temporarily reinforce this position with Bolts 1#, and tighten it when the next installation is made.



Inside View



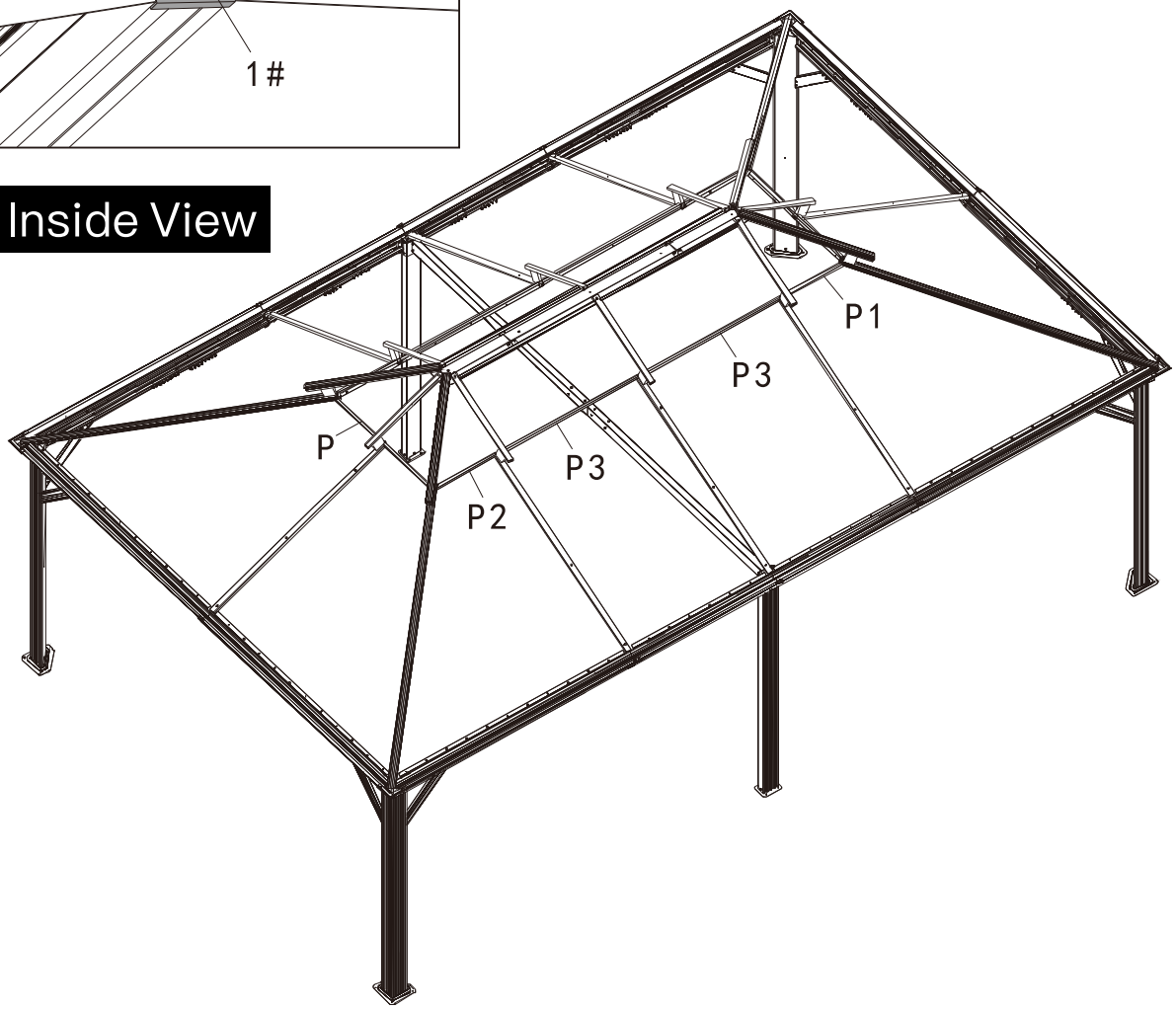
(2) Repeat the above procedures to assemble the opposite side.

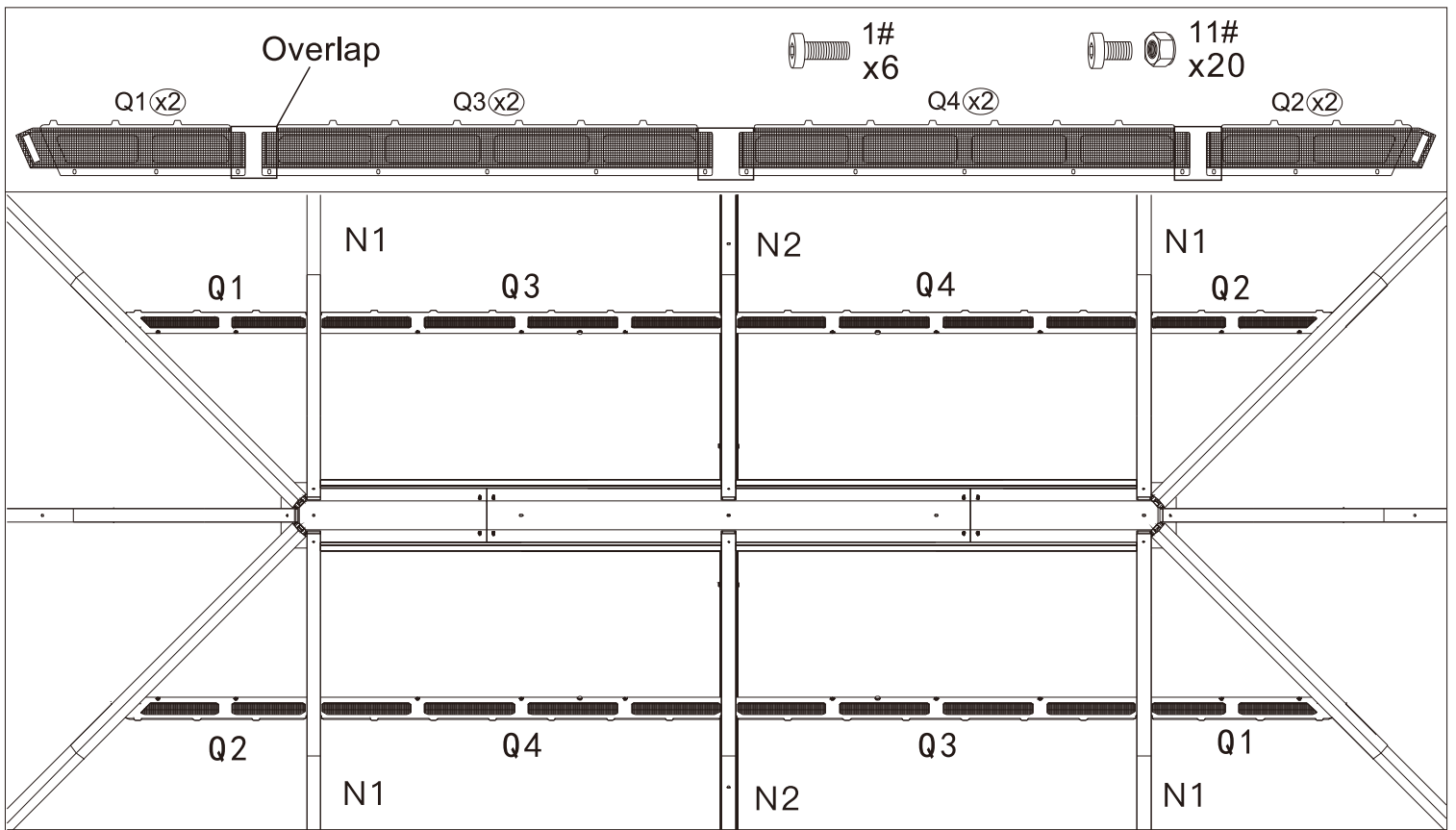


(1) Place the solidifying bars (Part #P & Part #P1/P2) on the corner roof bar (Part #M); Put on Part #R and secure with 1 Bolt 1#.

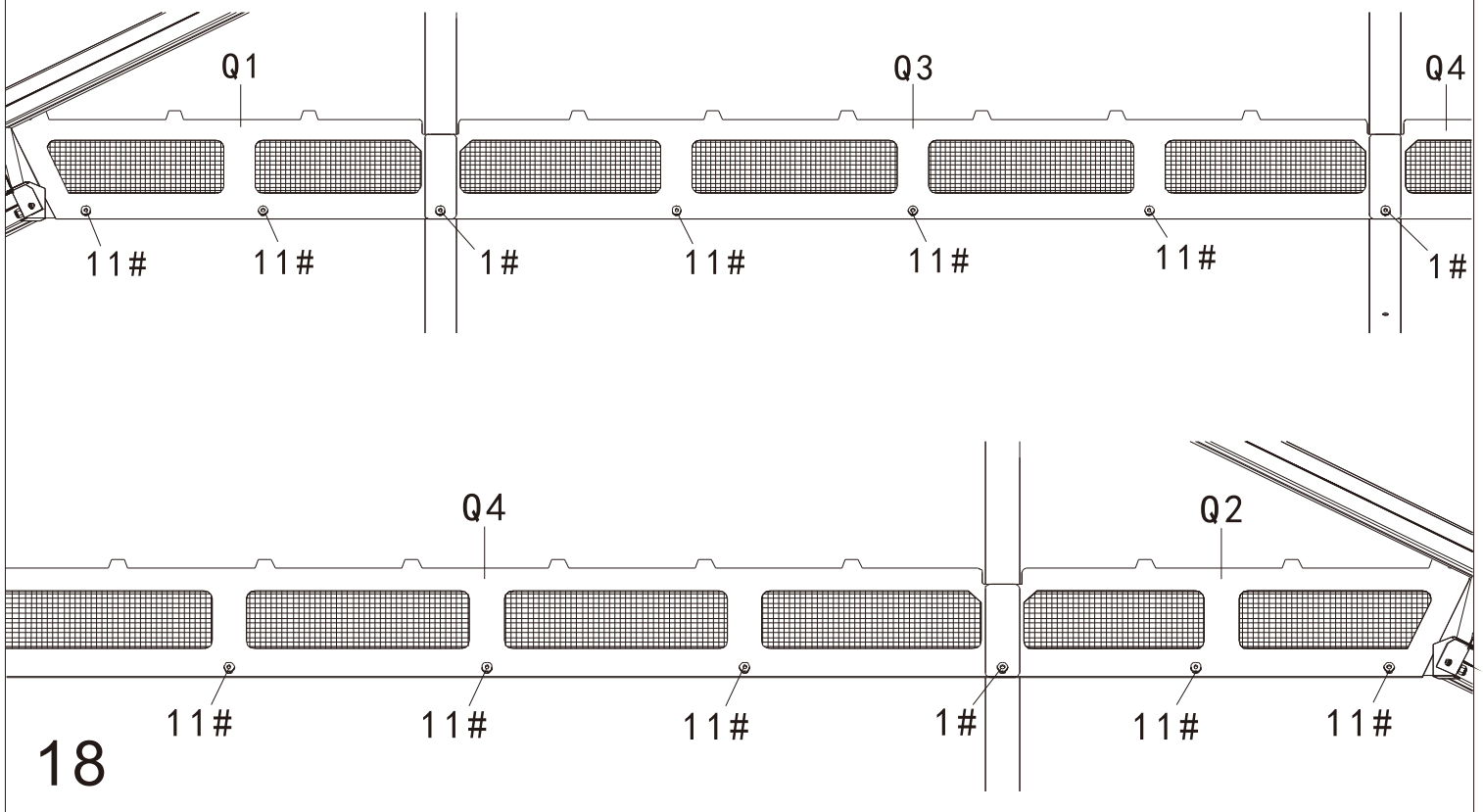
(2) Repeat the above procedures to assemble the other 3 corners.

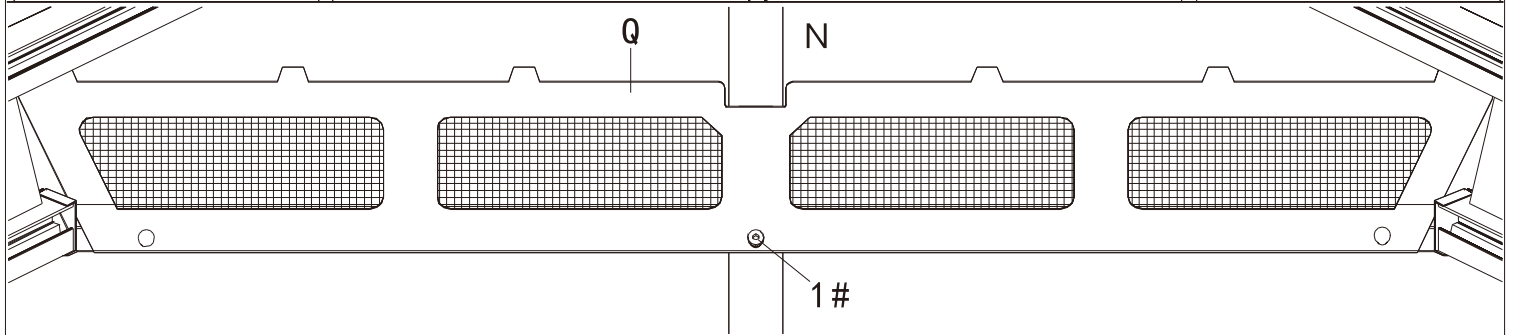
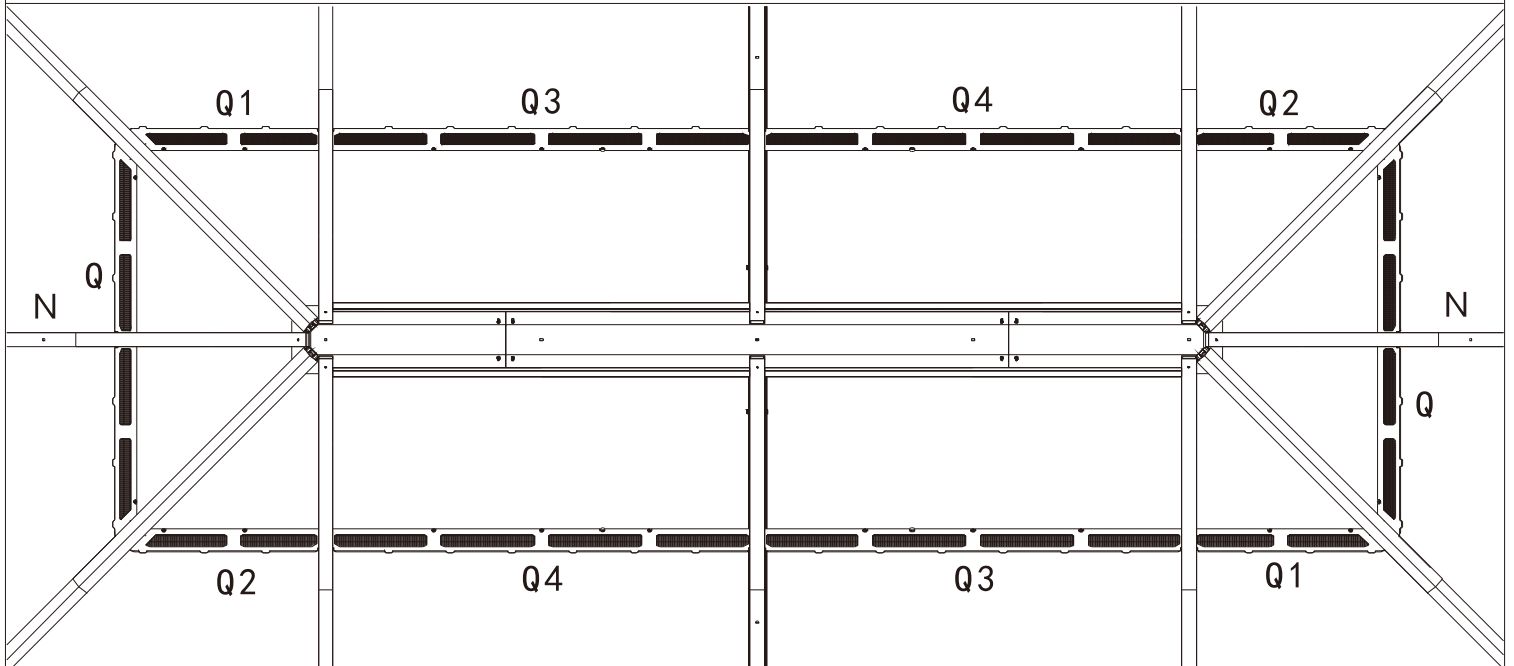
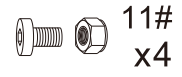
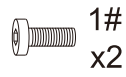
Inside View



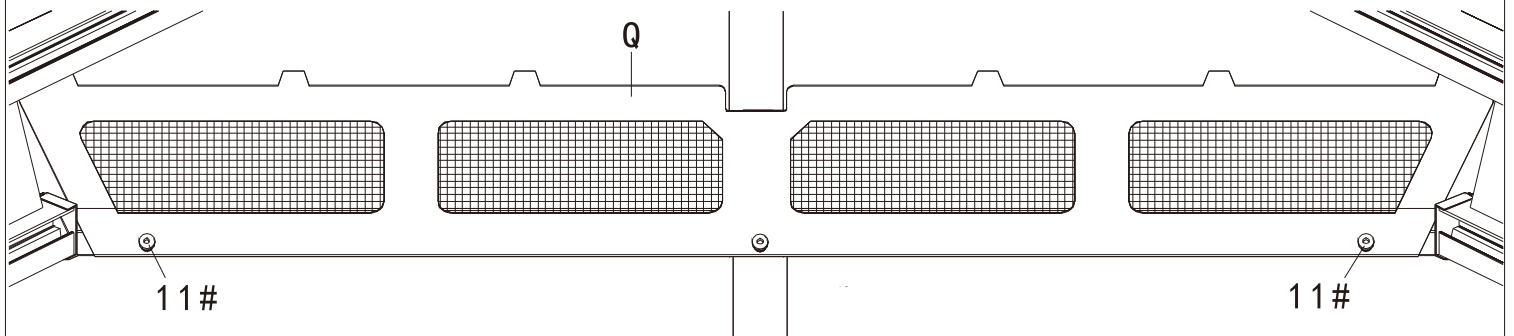


- (1) Connect the solidifying bars (Part #P1 & Part #P2 & Part #P3) and net frames (Part #Q1 & Part #Q2 & Part #Q3 & Part #Q4) with 10 Bolts 11#.
- (2) Attach the net frames to the roof bars (Part #N1 & Part #N2) with 3 Bolts 1#.
- (3) Repeat the above procedures to assemble the opposite side.



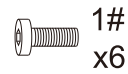
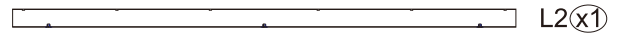
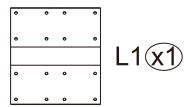
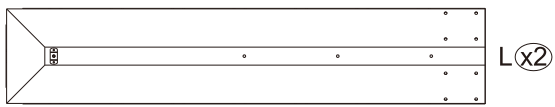


(1) Attach the net frame Part #Q to the roof bar Part #N with 1 Bolt 1#.

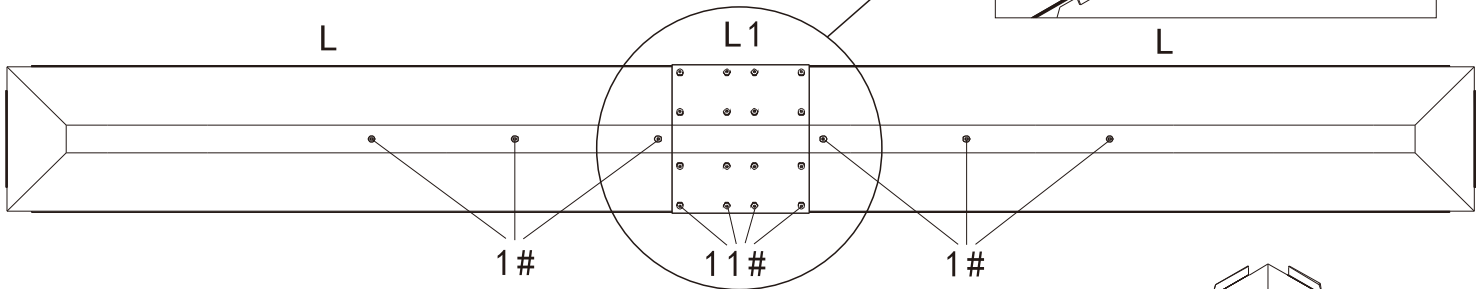
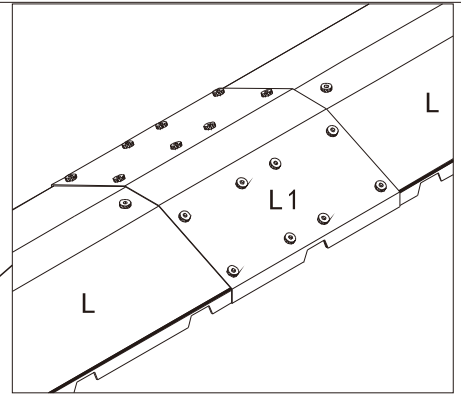


(2) Connect the solidifying bar Part #P and net frame Part #Q with 2 Bolts 11#.

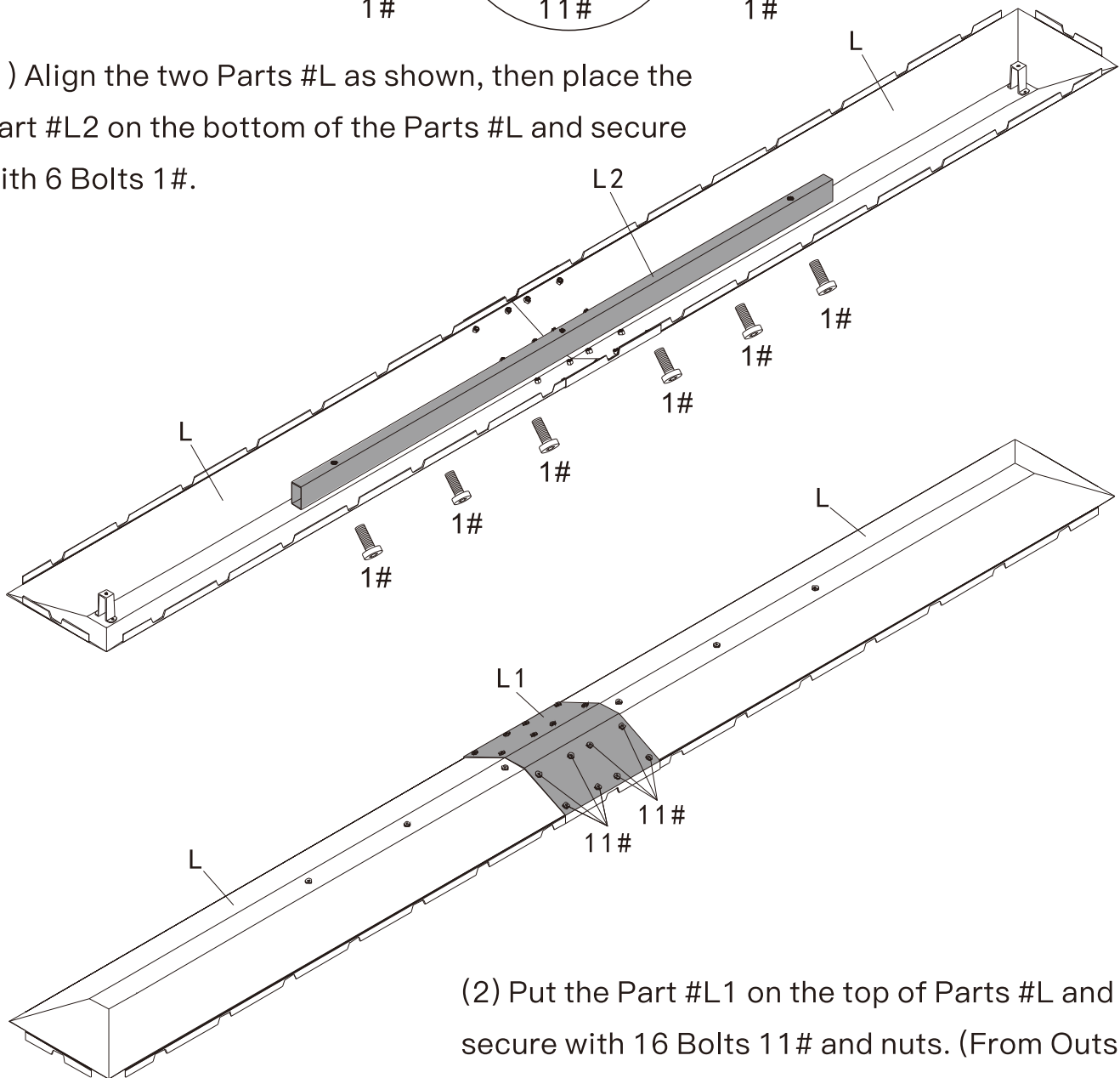
(3) Repeat the above procedures to assemble the opposite side.



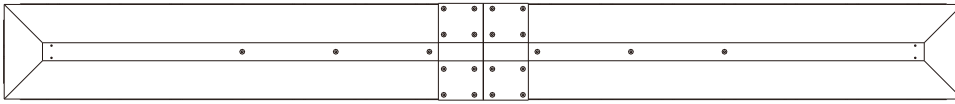
Outside Roof Cover Assembly:



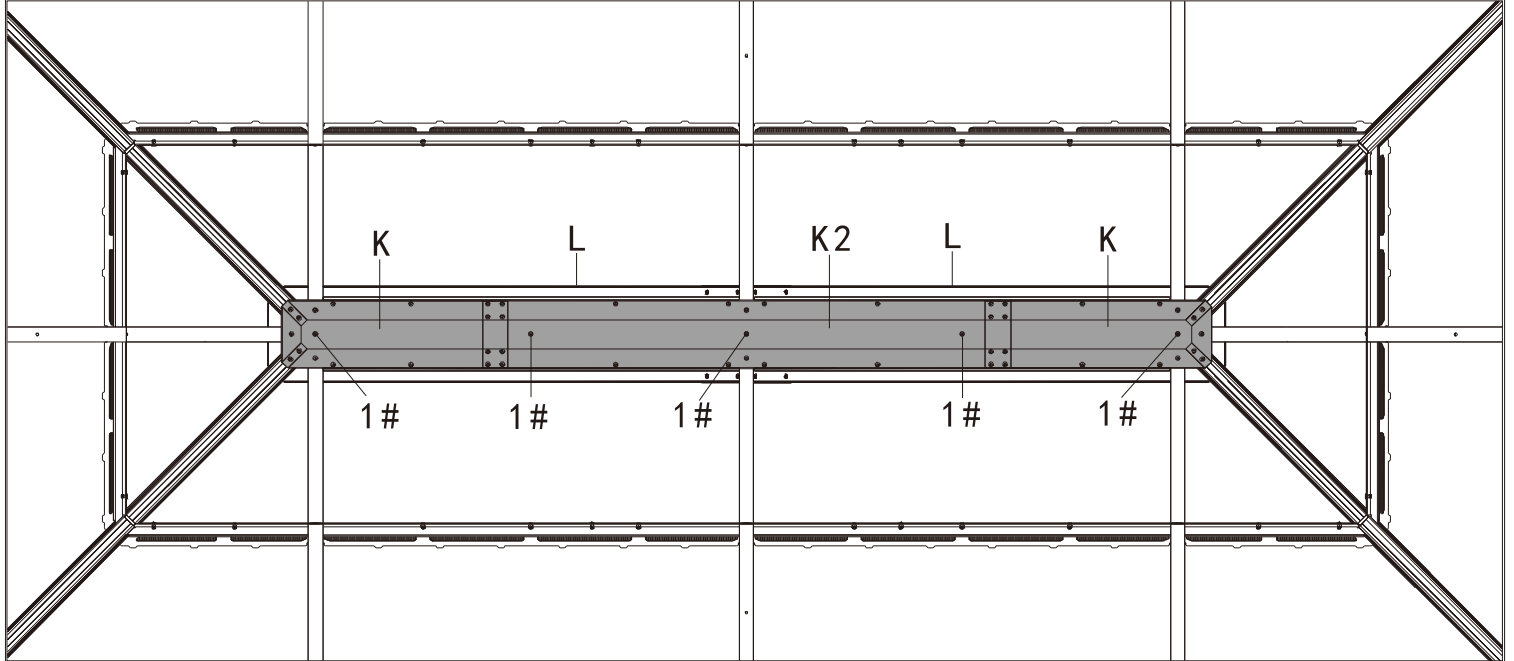
(1) Align the two Parts #L as shown, then place the Part #L2 on the bottom of the Parts #L and secure with 6 Bolts 1#.



(2) Put the Part #L1 on the top of Parts #L and secure with 16 Bolts 11# and nuts. (From Outside)

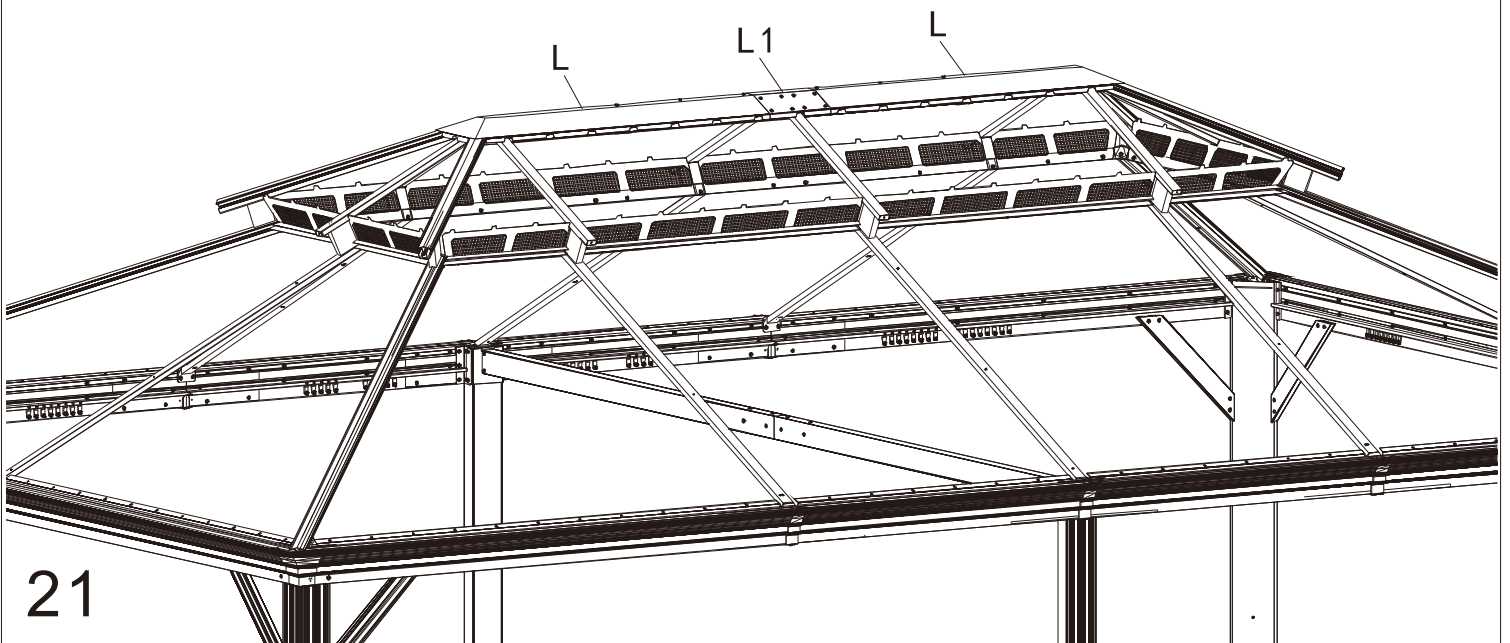


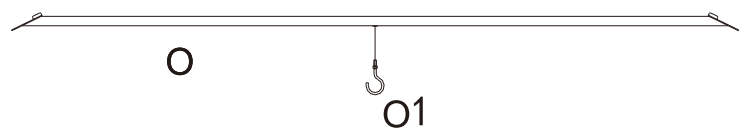
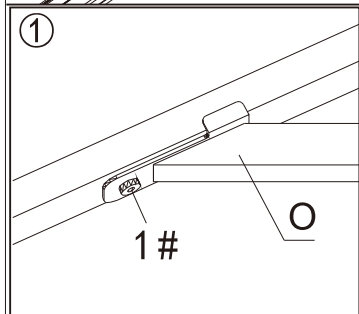
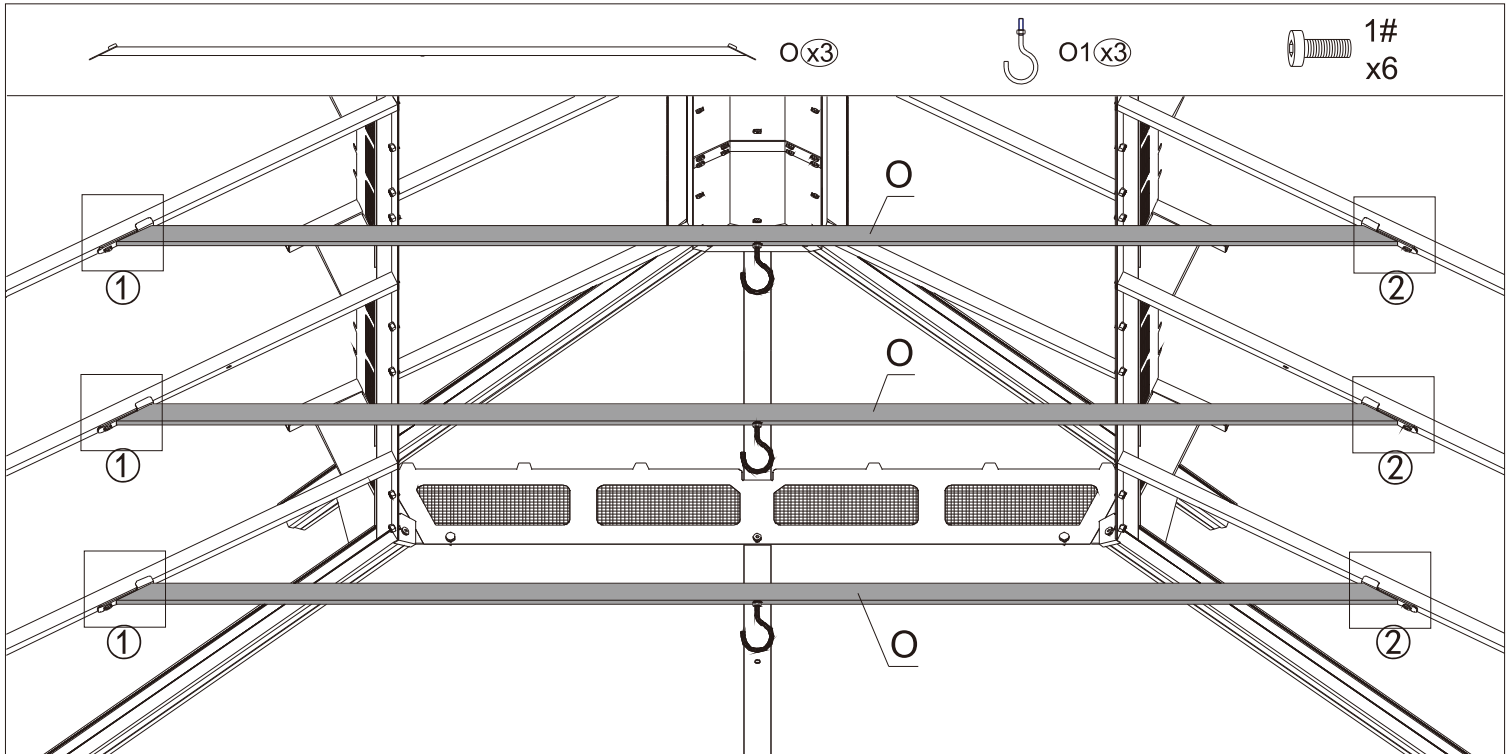
1#
x5



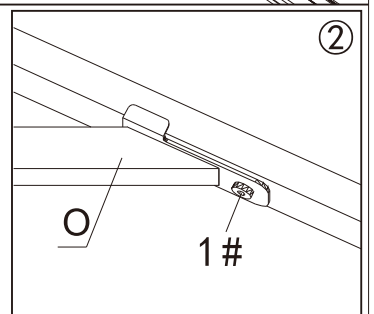
Bottom View

Place the outside roof cover on the inside roof cover, align the holes and secure with 5 Bolts 1#(from bottom to top).



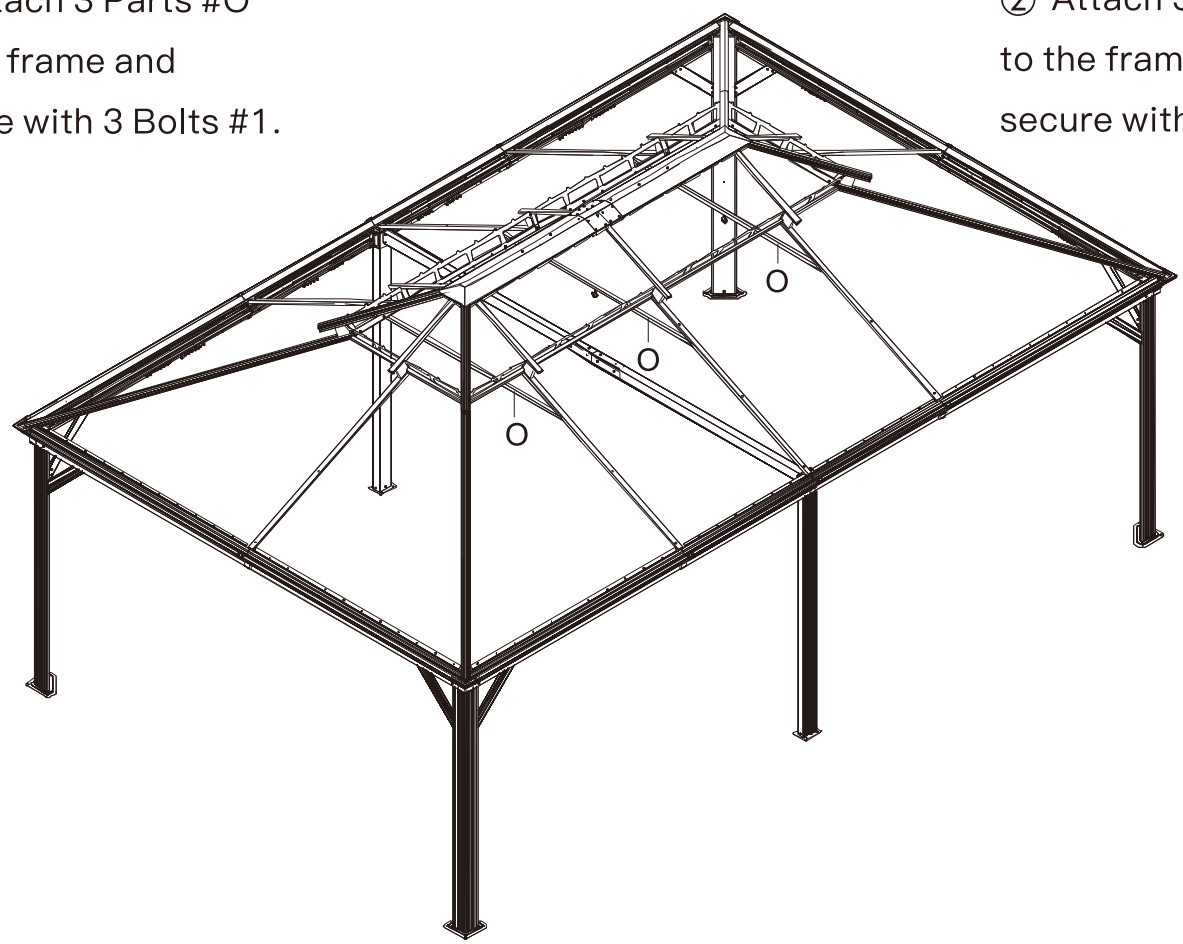


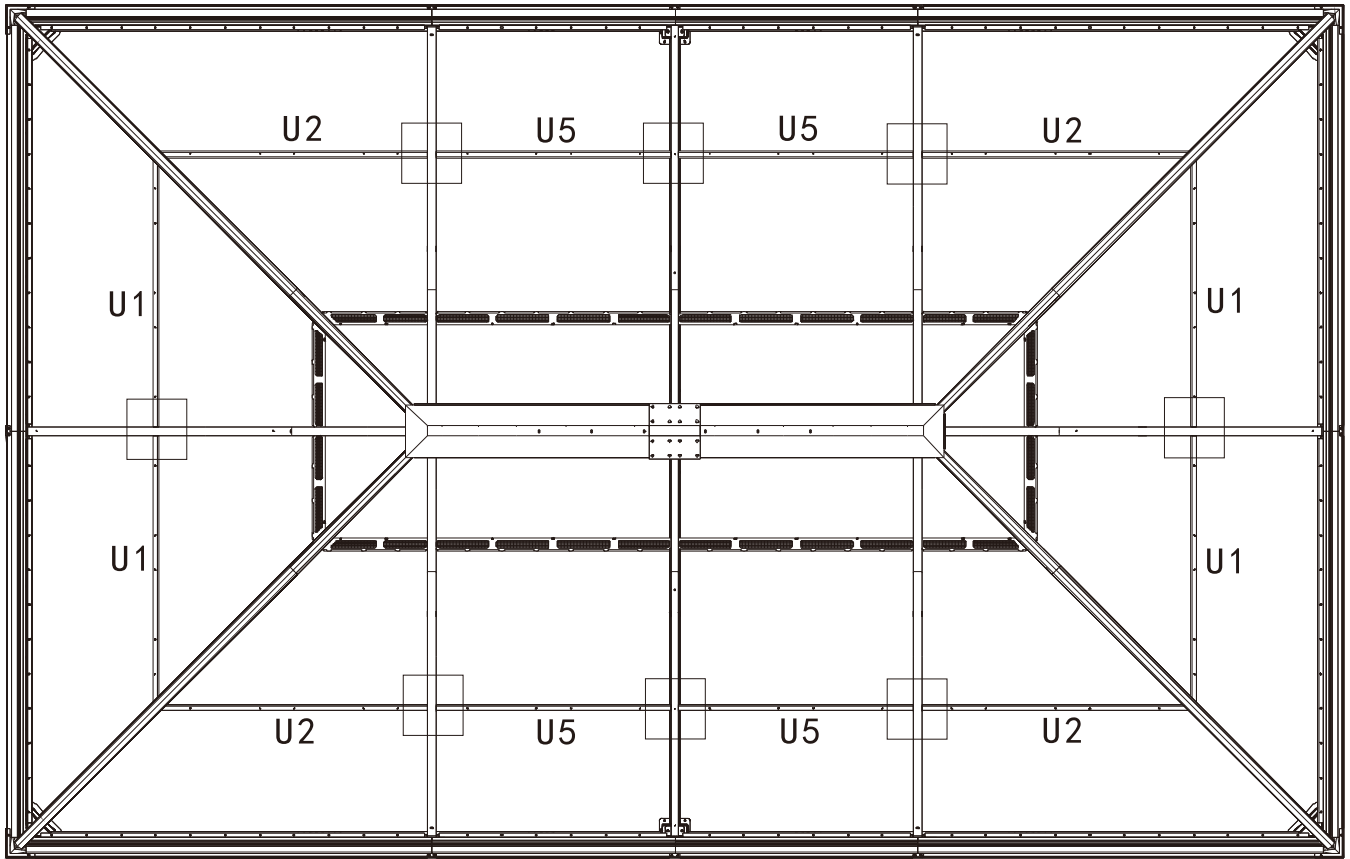
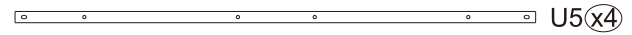
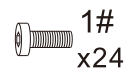
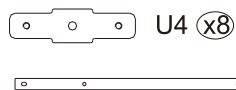
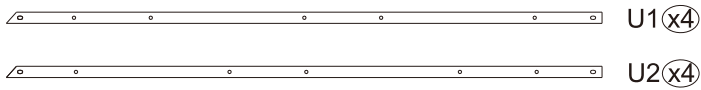
Screw the Part #O1 into the Part #O.



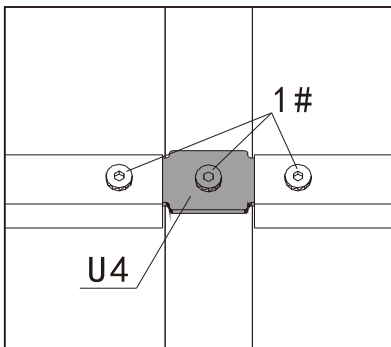
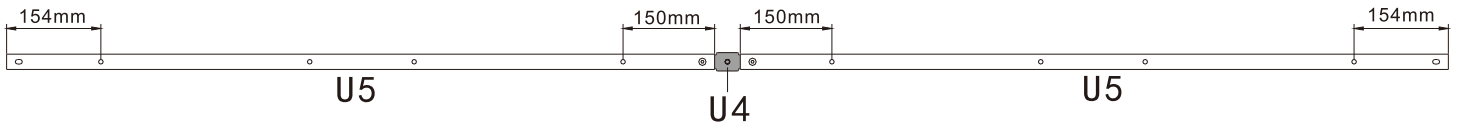
① Attach 3 Parts #O to the frame and secure with 3 Bolts #1.

② Attach 3 Parts #O to the frame and secure with 3 Bolts #1.

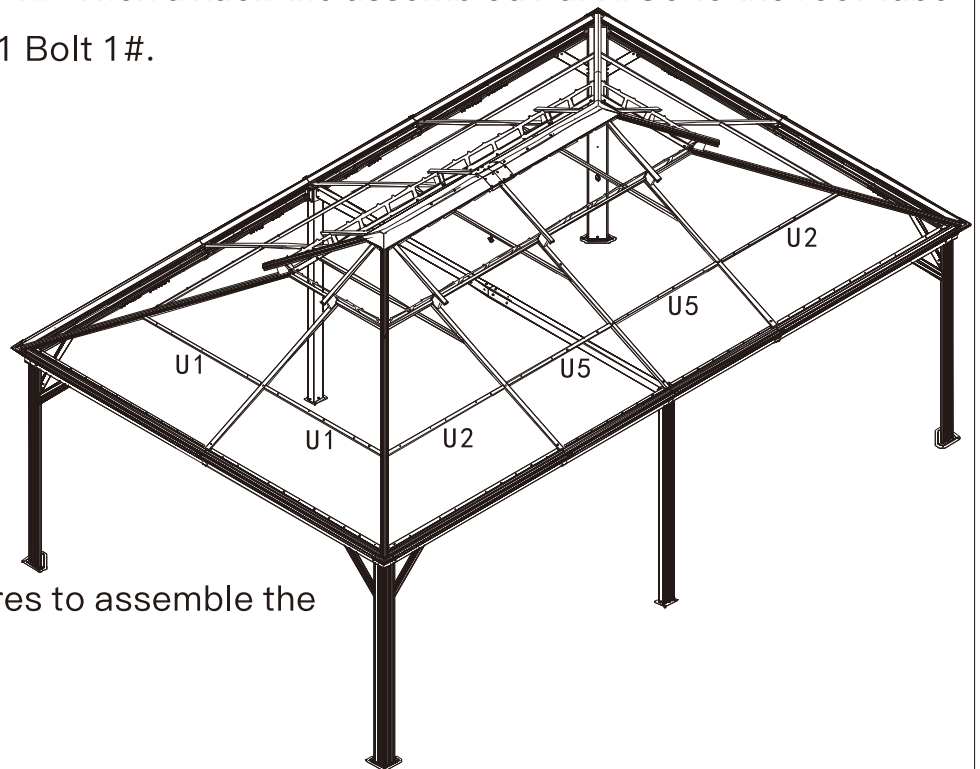




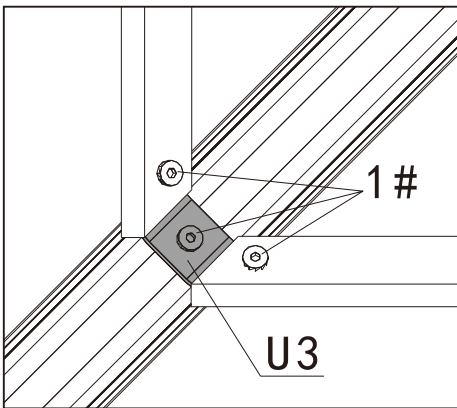
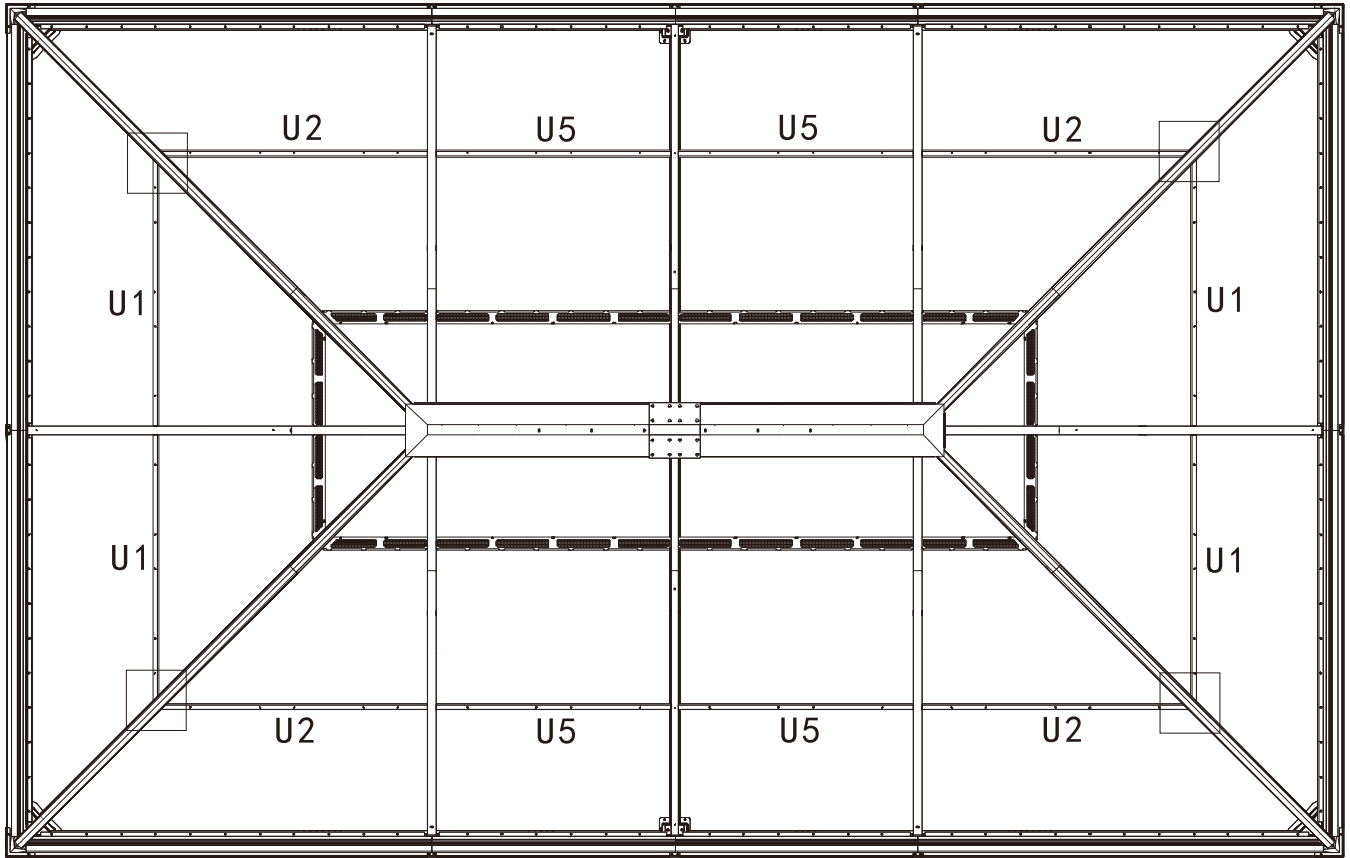
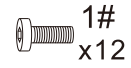
Notice: If Part #U5 doesn't fix well, please note if the two ends of the solidifying bars have been installed upside down.



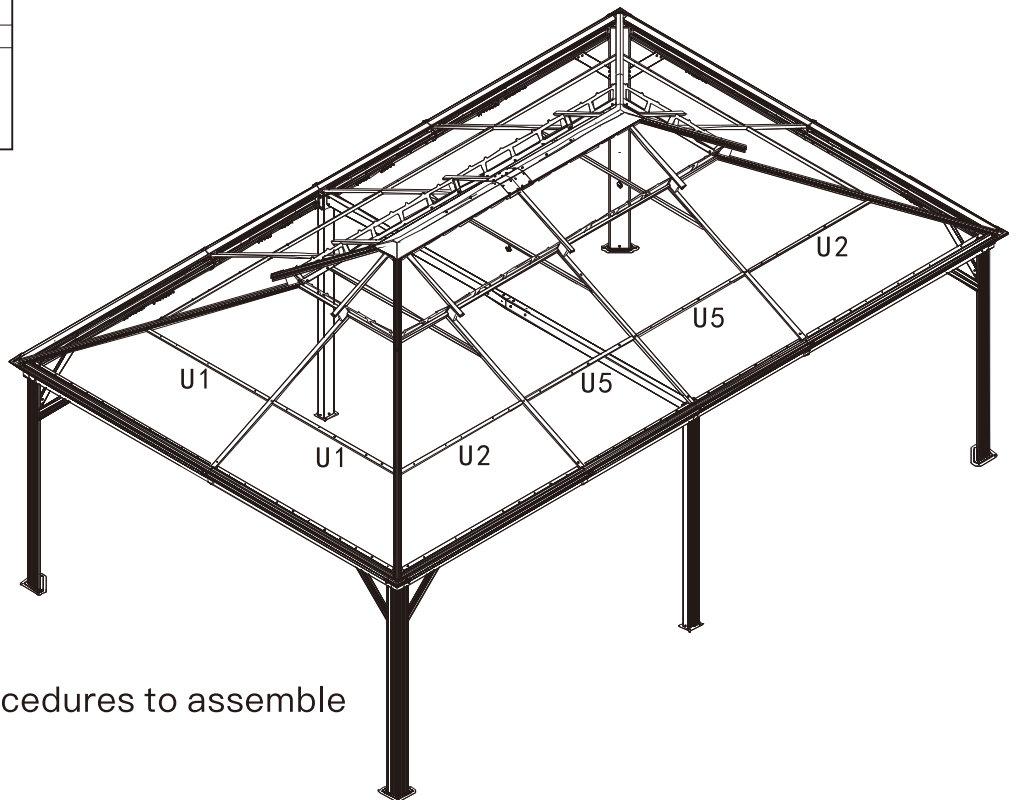
(1) Insert the Part #U4 into the 2 Parts #U5 and secure with 2 Bolts 1#. Then attach the assembled Part #U5 to the roof tube with 1 Bolt 1#.



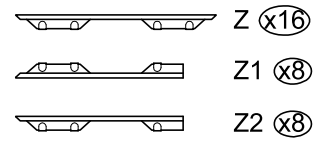
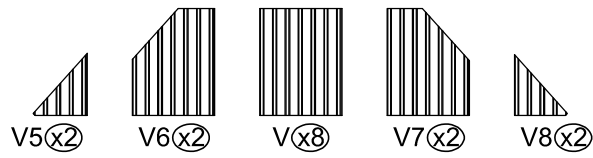
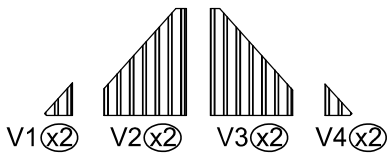
(2) Repeat the above procedures to assemble the other 7 parts.



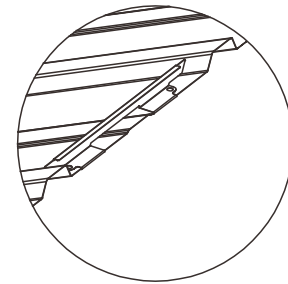
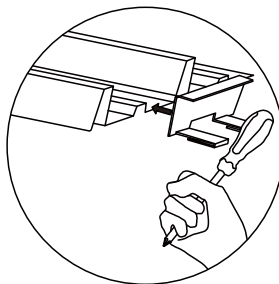
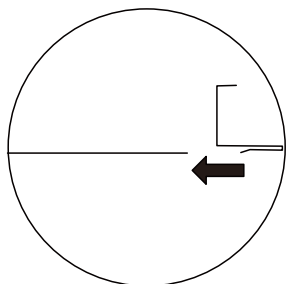
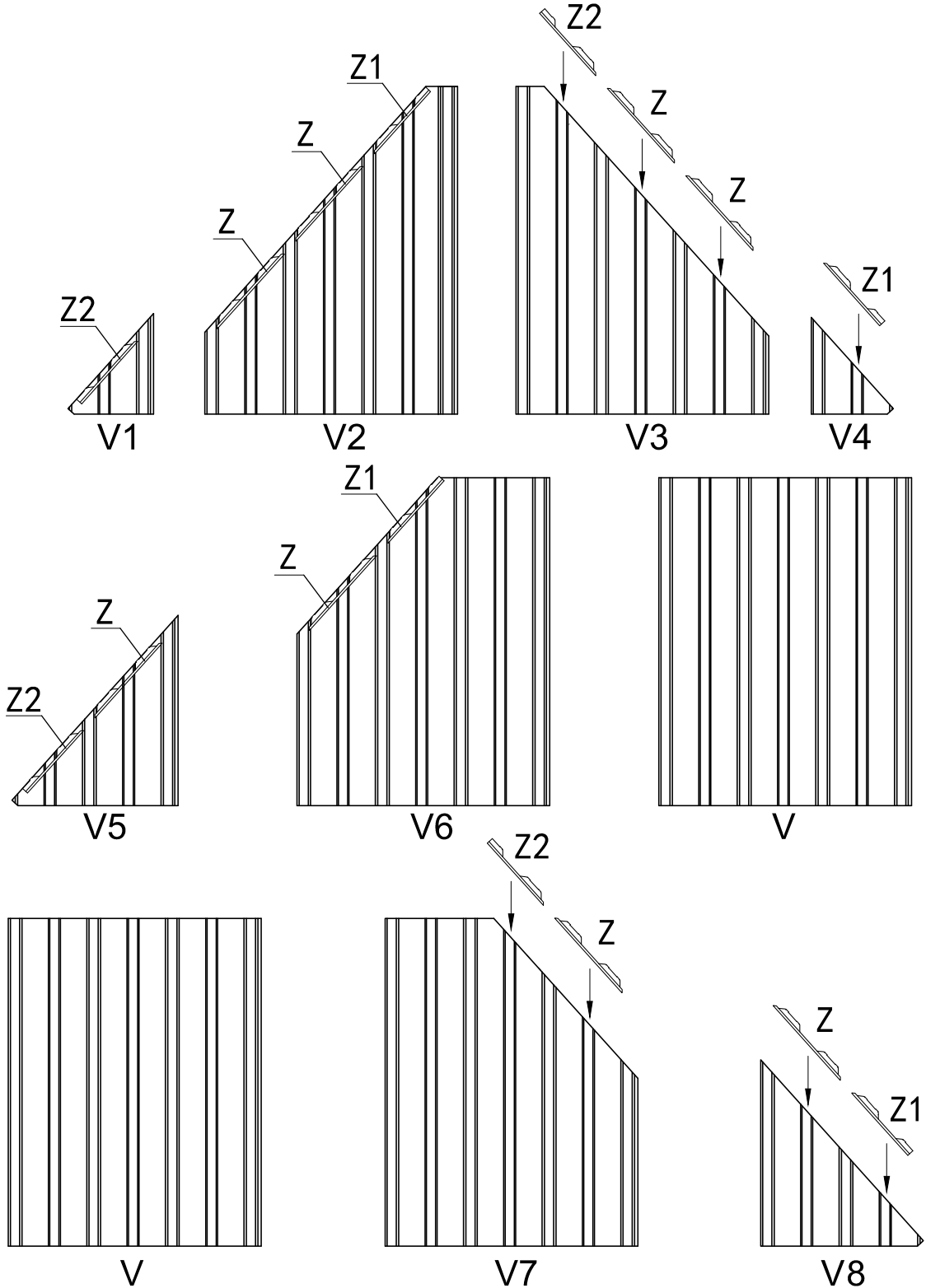
(1) Insert the Part #U3 into the Part #U1 and Part #U2 , secure with 2 Bolts 1# . Then attach to the corner roof tube with 1 Bolt 1#.

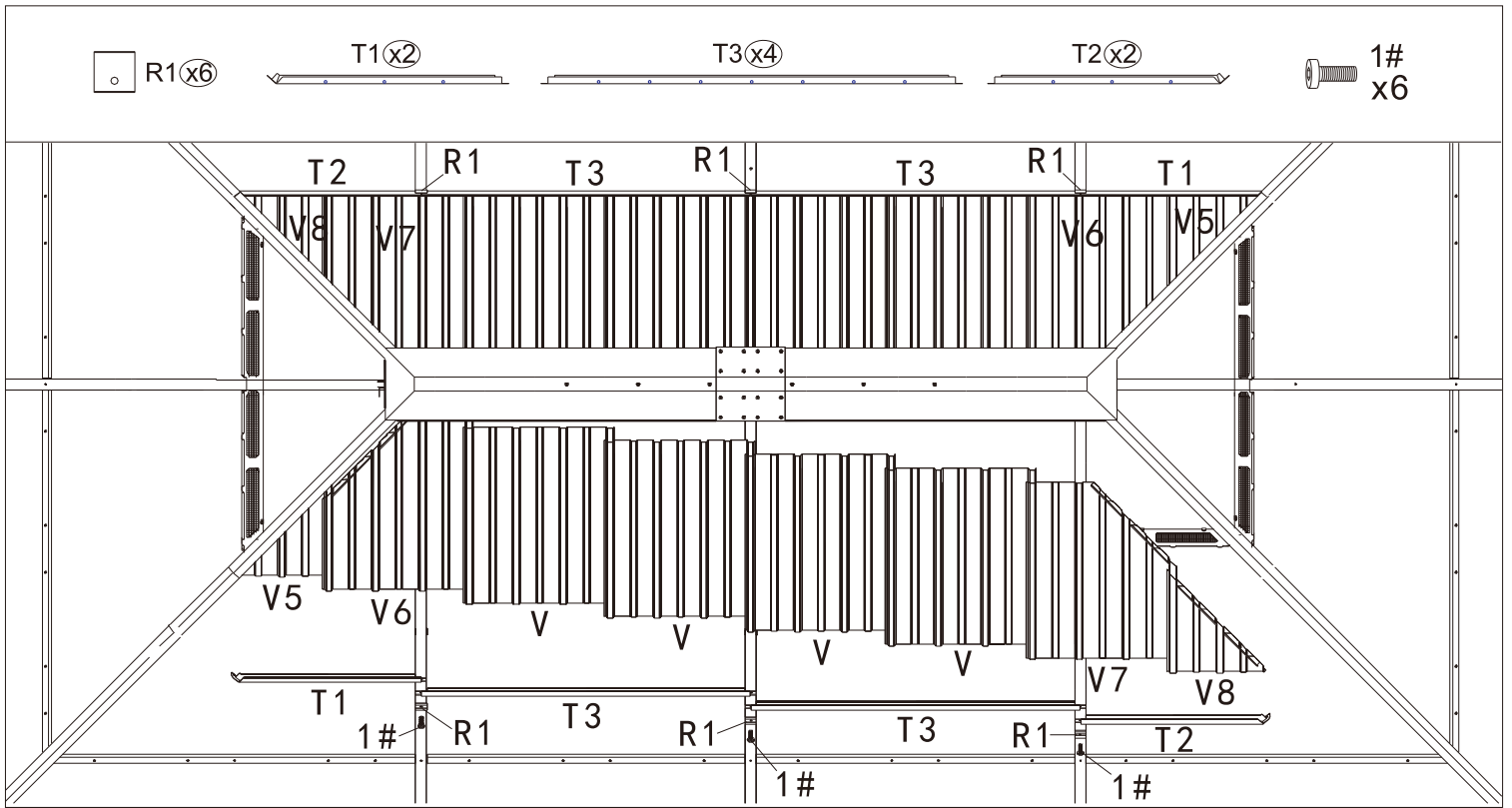


(2) Repeat the above procedures to assemble the other 3 corners.

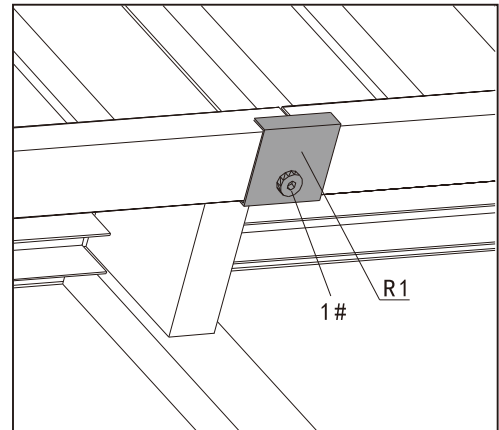
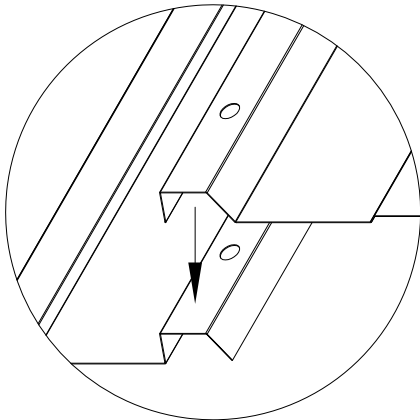


Insert Part #Z, #Z1 & #Z2 to Roof Panels





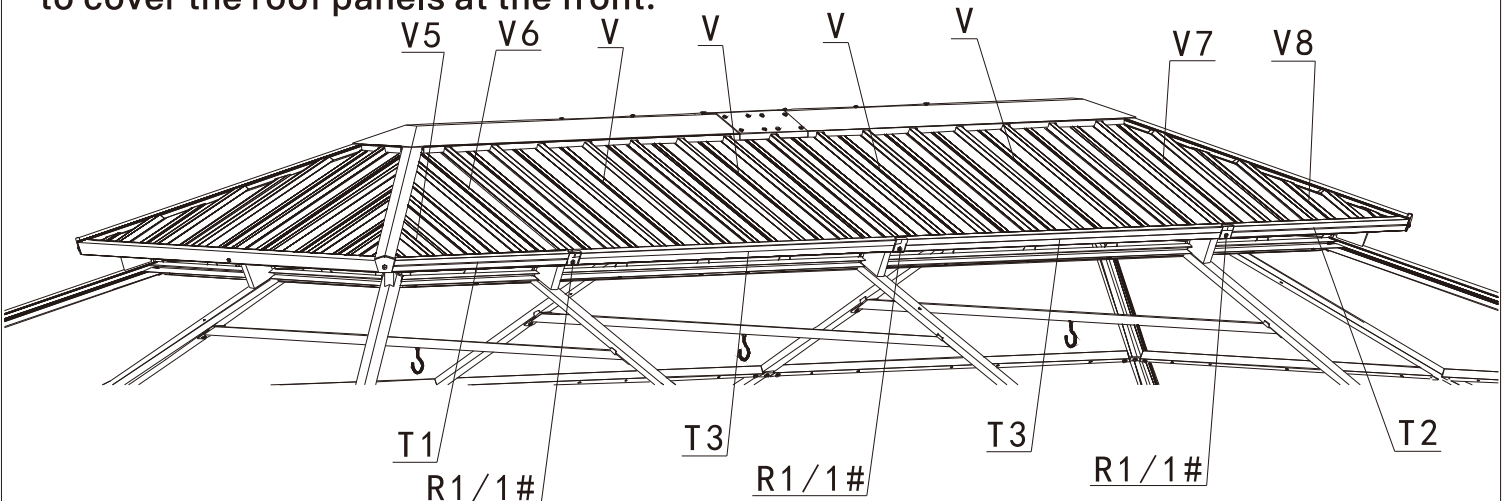
If you can't install the roof panels, push the outside roof cover up and try to insert them again.



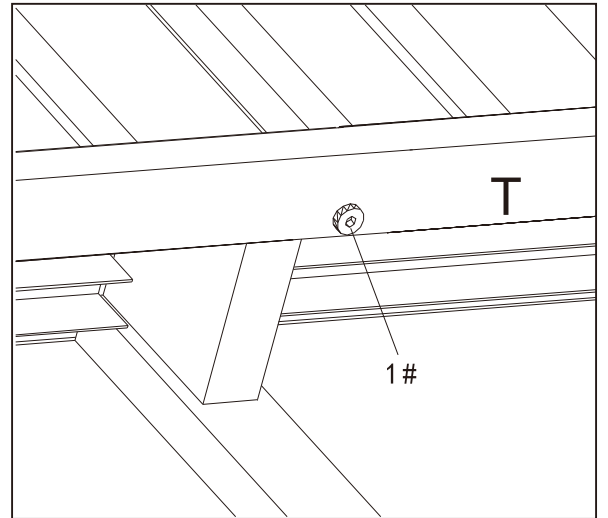
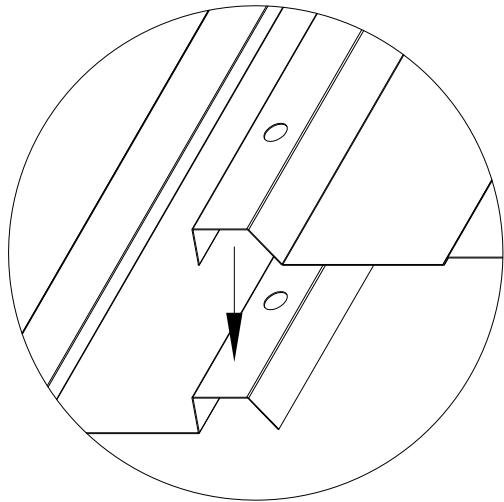
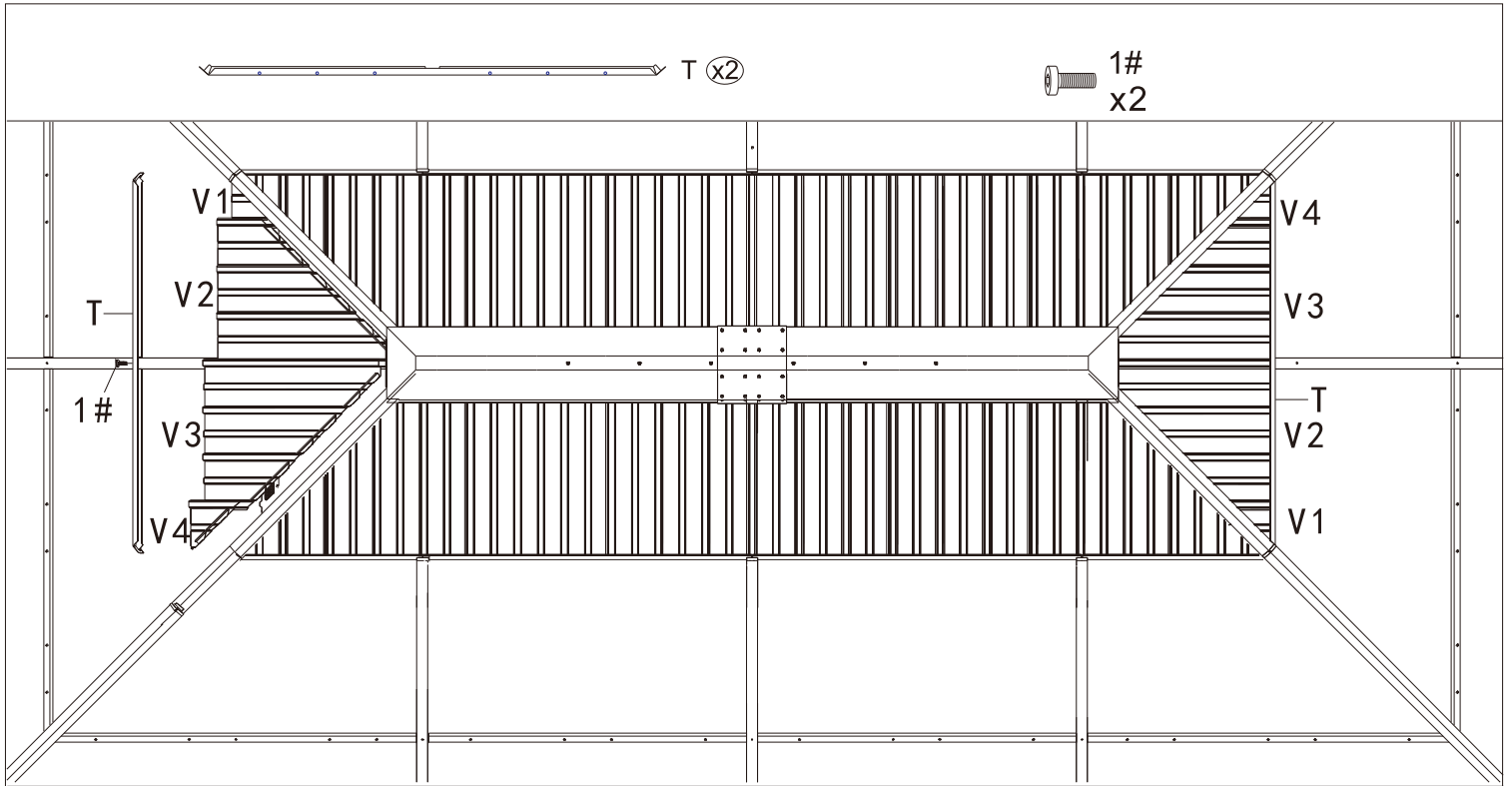
(1) Insert the roof panels into the top frame in order as shown.

NOTE: The roof panels at the back need to cover the roof panels at the front.

(2) Attach Part #T1 & #T2 & #T3 to the top roof with Part #R1 and secure with 3 Bolts 1#.



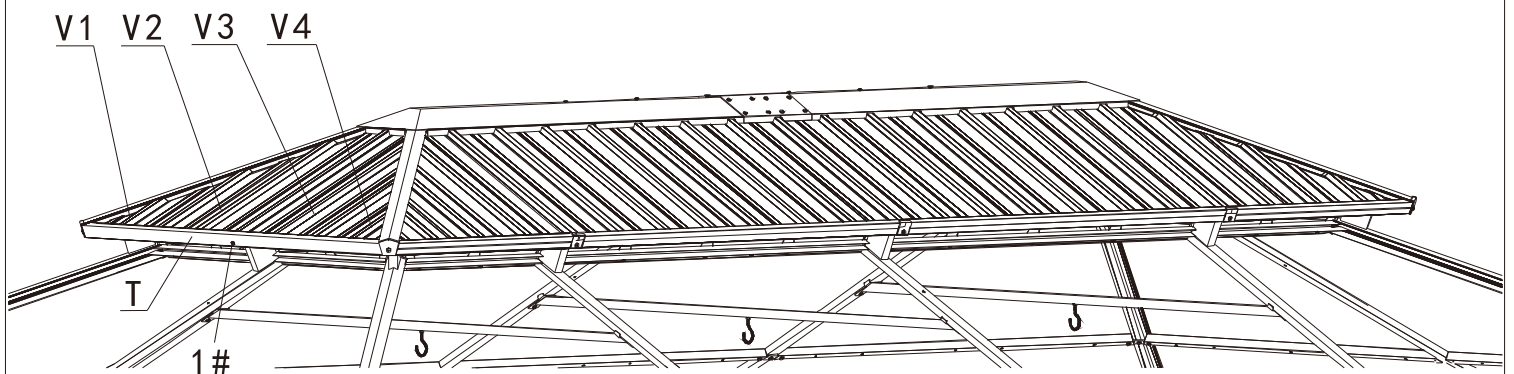
(3) Repeat the above procedures to assemble the opposite side.



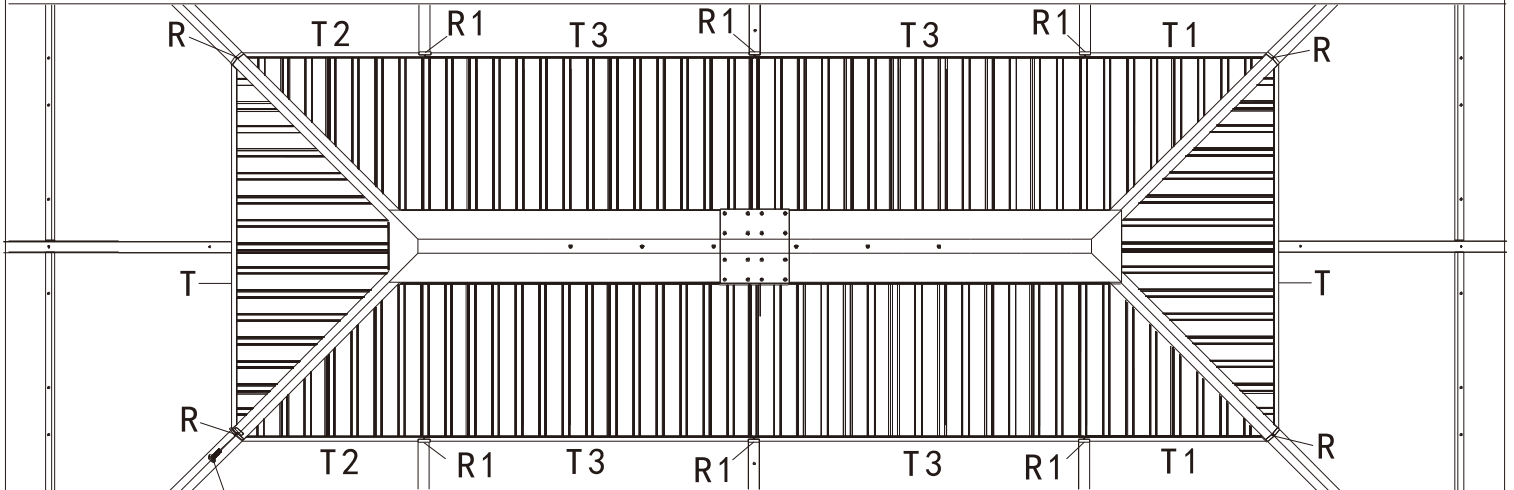
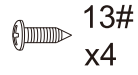
(1) Insert the roof panels into the top frame in order.

NOTE: The roof panel at the back needs to cover the roof panel at the front.

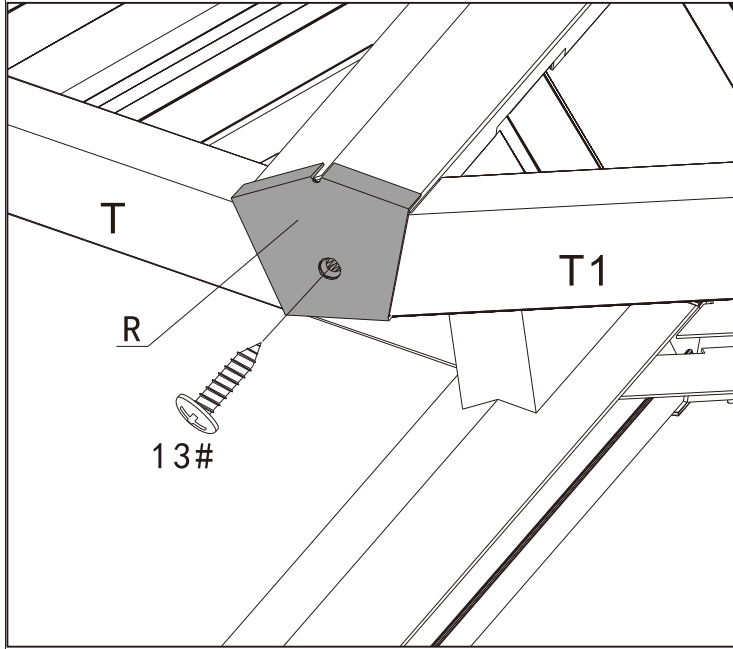
(2) Attach Part #T to the top roof and secure with 1 Bolts 1#.



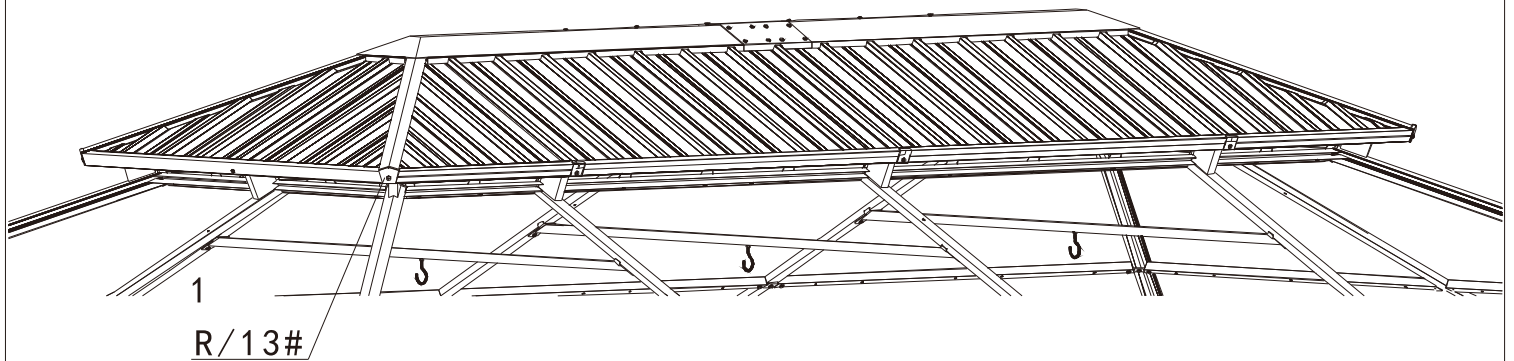
27 (3) Repeat the above procedures to assemble the opposite side.

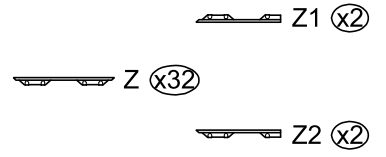
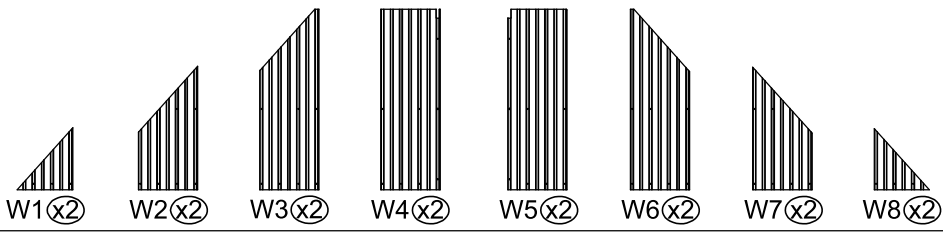


13#

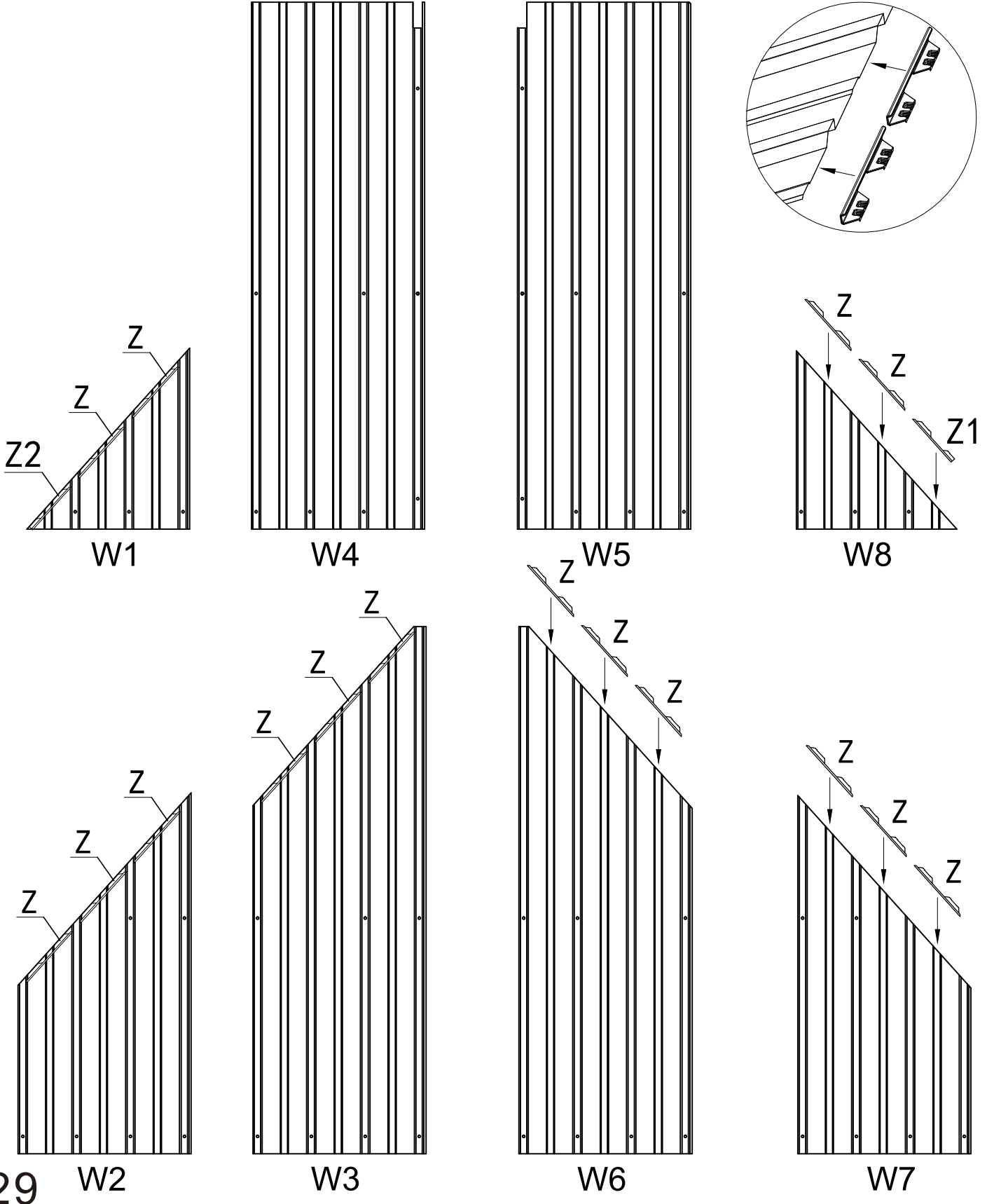


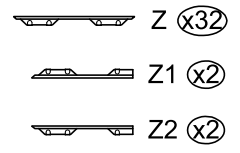
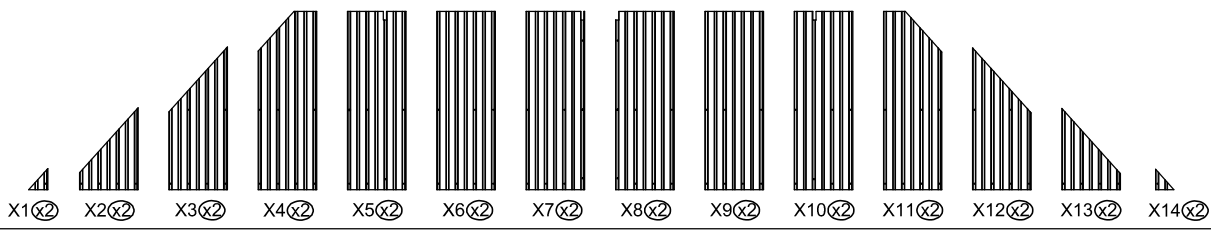
- (1) Attach Part #T and Part #T1 to the top roof with Part #R and secure with 1 Bolts 13#.
- (2) Repeat the above procedures to assemble the other 3 corners.



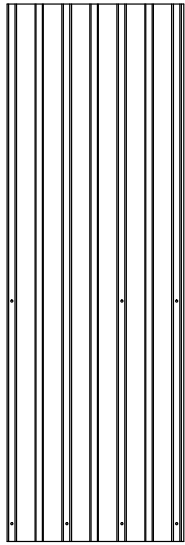


Insert Part #Z, #Z1 & #Z2 to Roof Panels

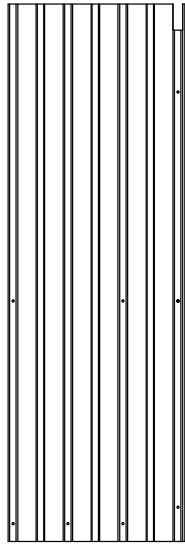




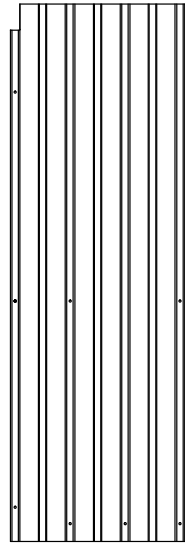
Insert Part #Z, #Z1 & #Z2 to Roof Panels



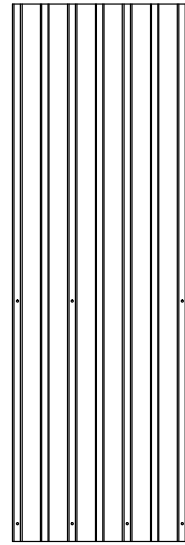
X6



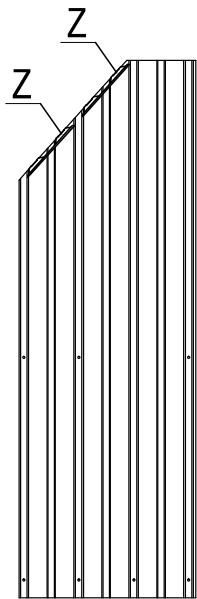
X7



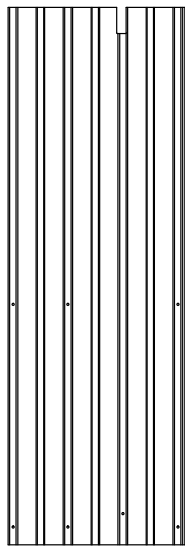
X8



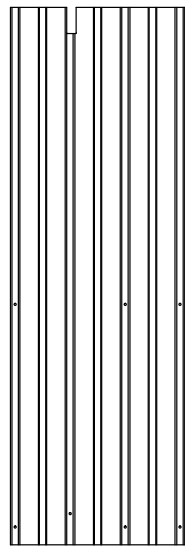
X9



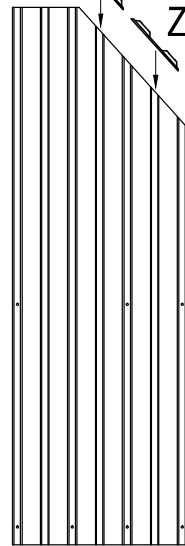
X4



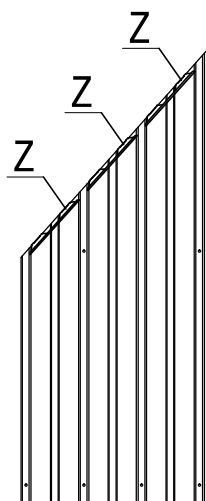
X5



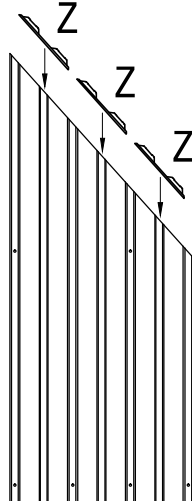
X10



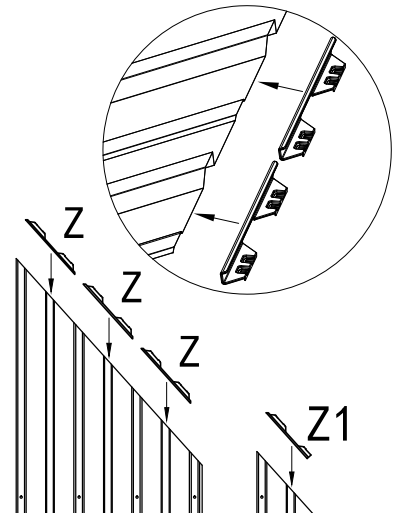
X11



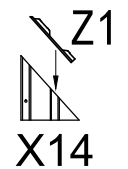
X3



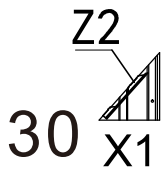
X12



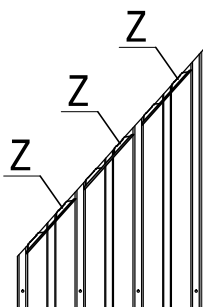
X13



X14



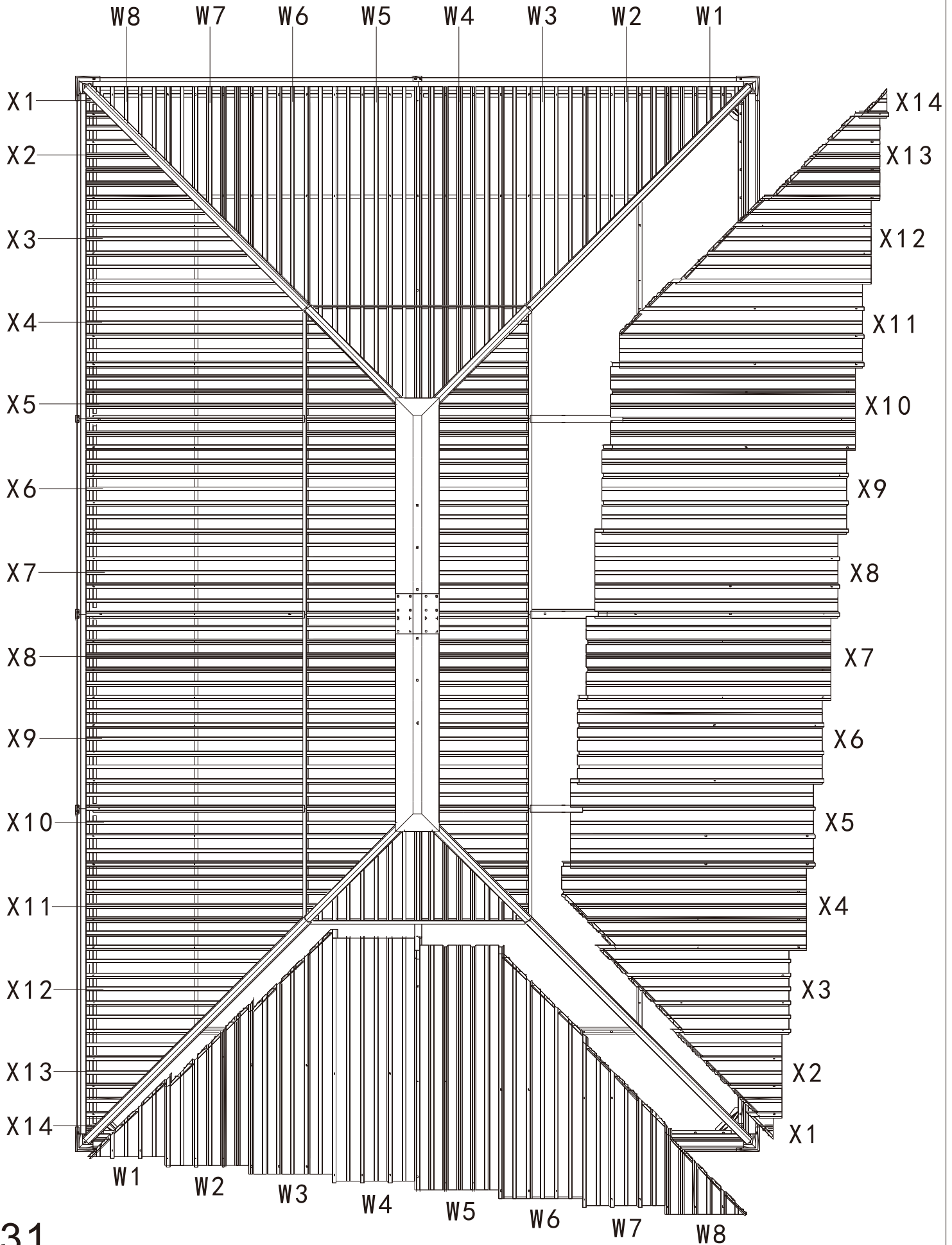
30 X1

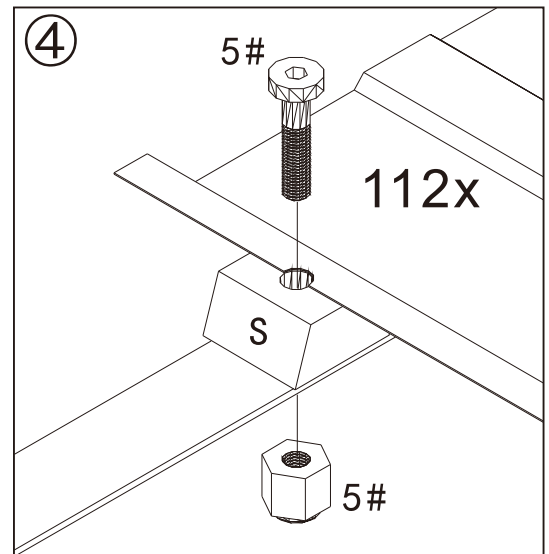
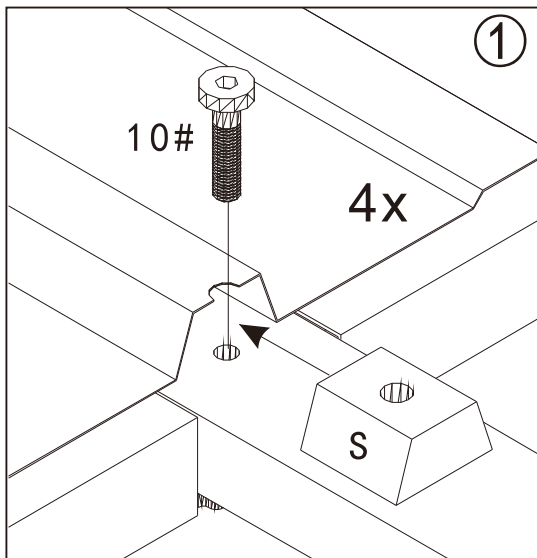
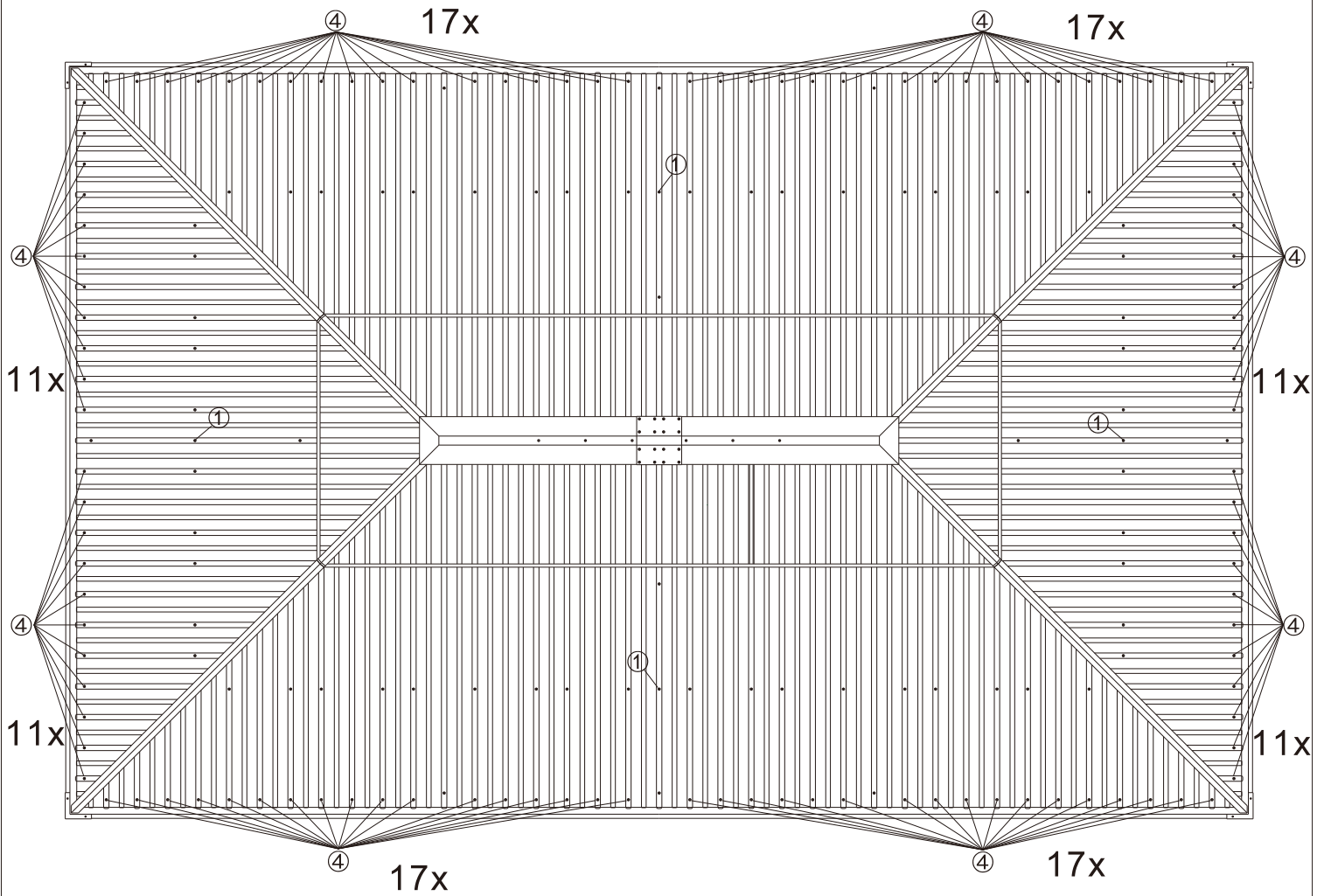
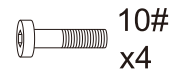
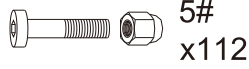


X2

Overall Roof Assembly:

Please put the roof panels on the frame in order as shown.

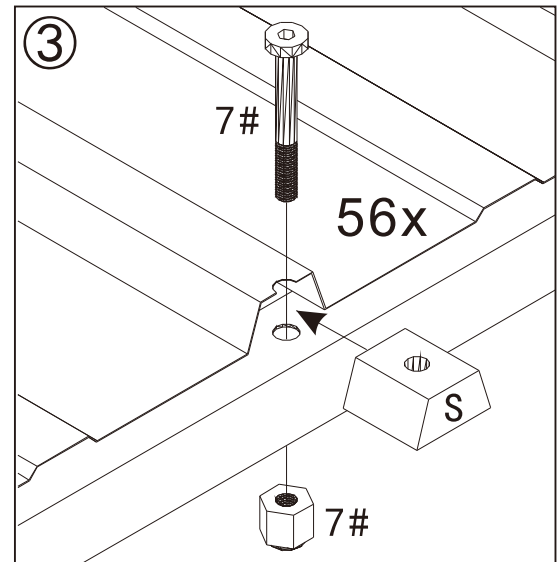
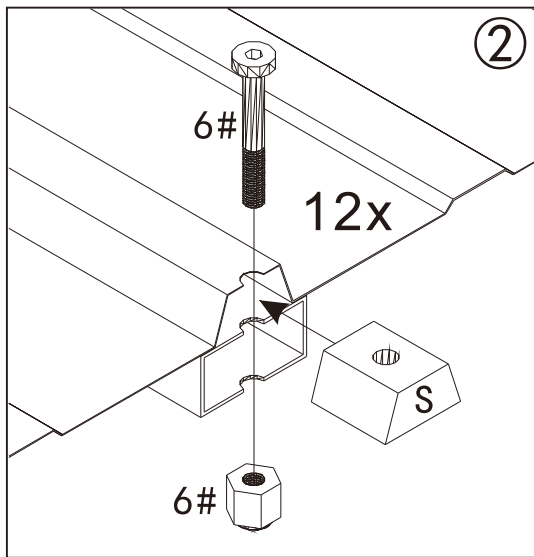
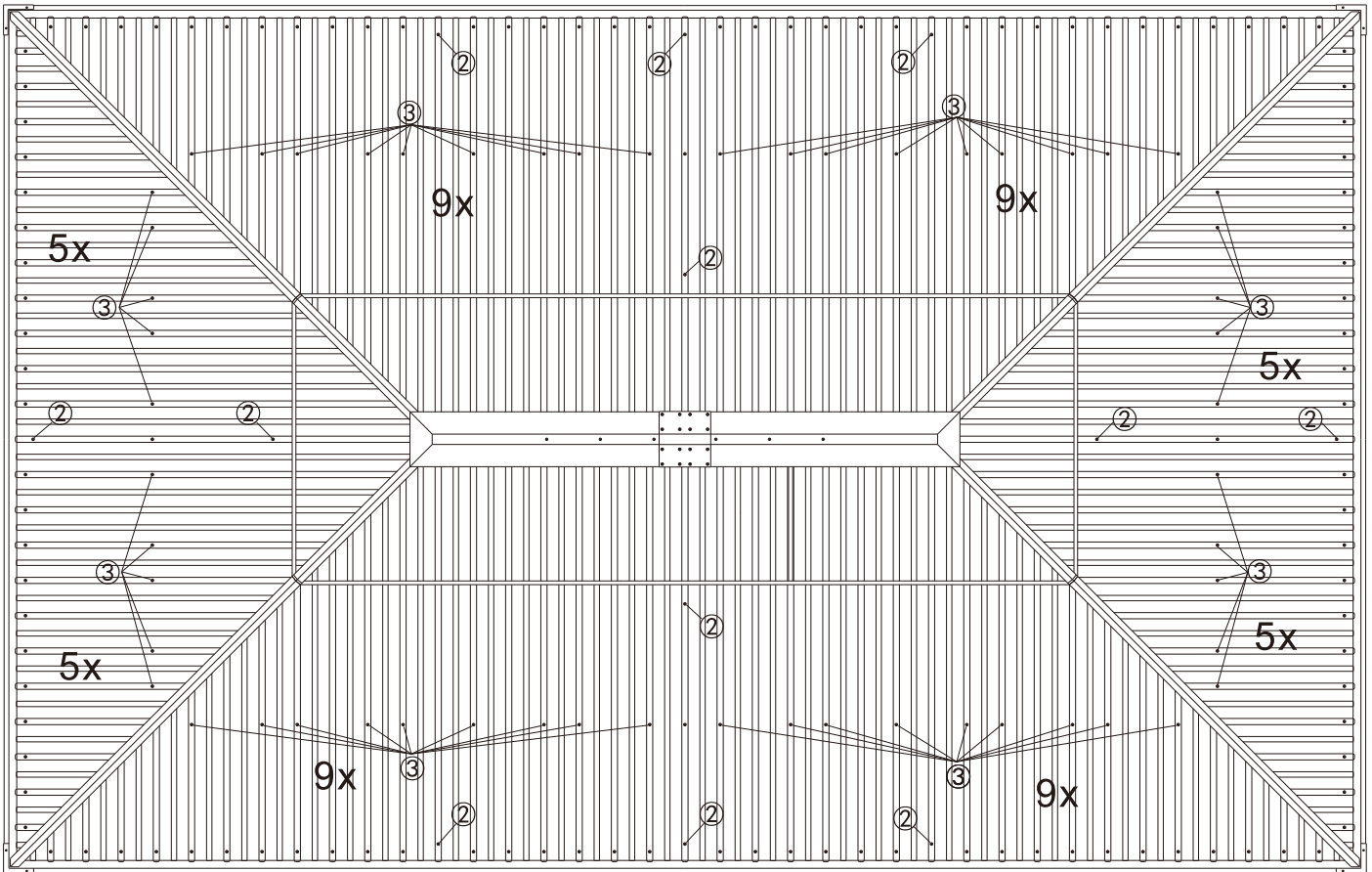
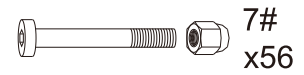
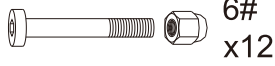




①: Place 4 black rubbers #S between roof panels and middle roof tubes. Secure with 4 Bolts #10.

④: Place 112 black rubbers #S between roof panels and beams. Then secure with 112 Bolts #5 and Nuts.

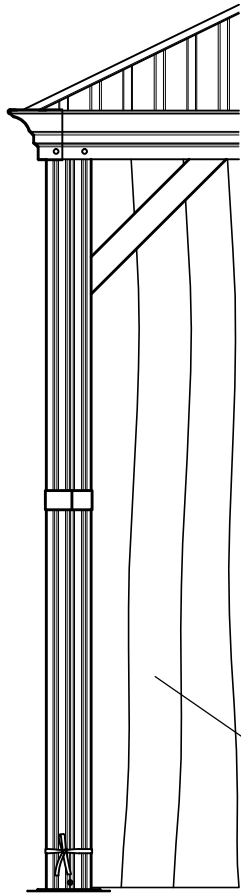
NOTICE: The Part #S should be inserted between roof panels and solidifying bars or beams, then secure with bolts and nuts.



②: Place 12 black rubbers #S between roof panels and middle roof tubes. Secure with 12 Bolts #6 and Nuts.

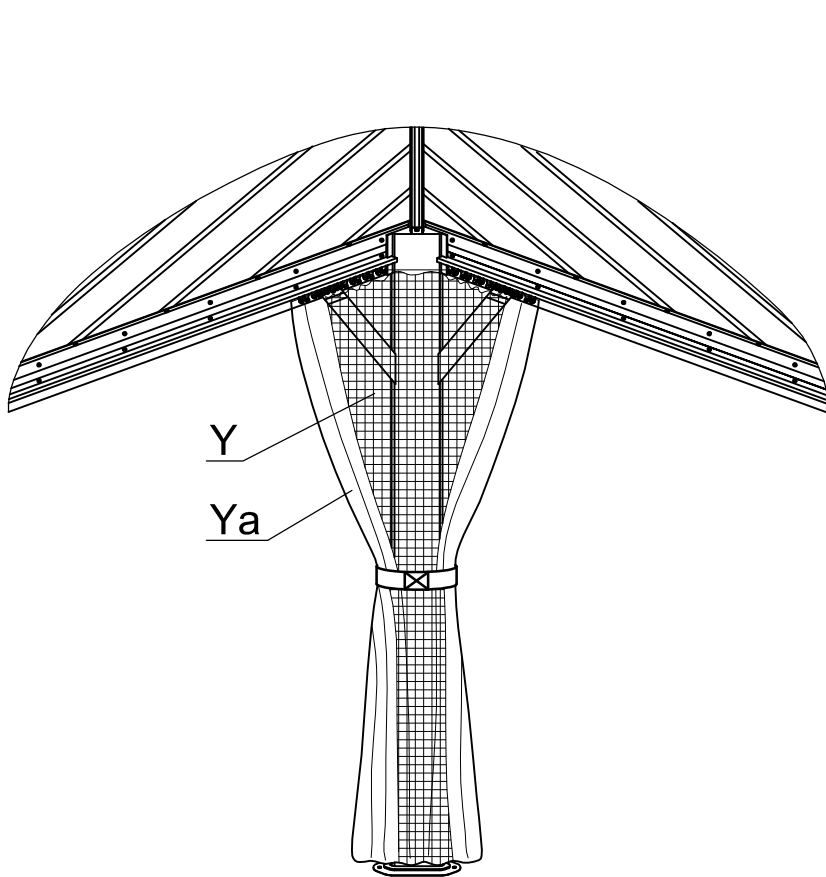
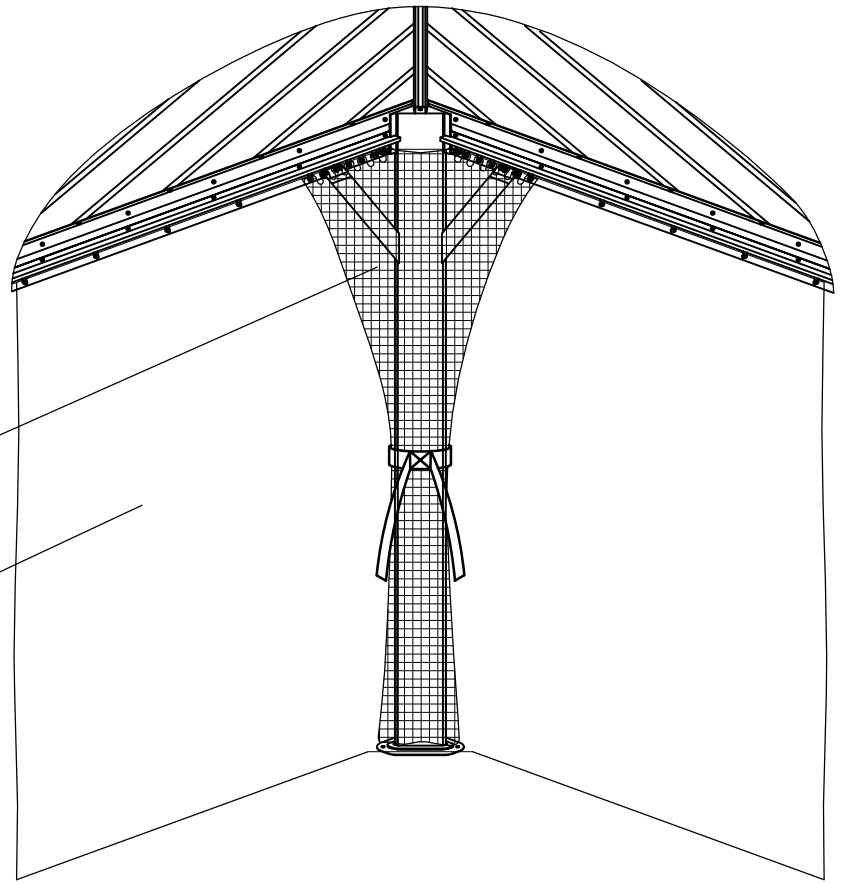
③: Place 56 black rubbers #S between roof panels and beams. Then secure with 56 Bolts #7 and Nuts.

NOTICE: The Part #S should be inserted between roof panels and solidfying bars or beams, then secure with bolts and nuts.



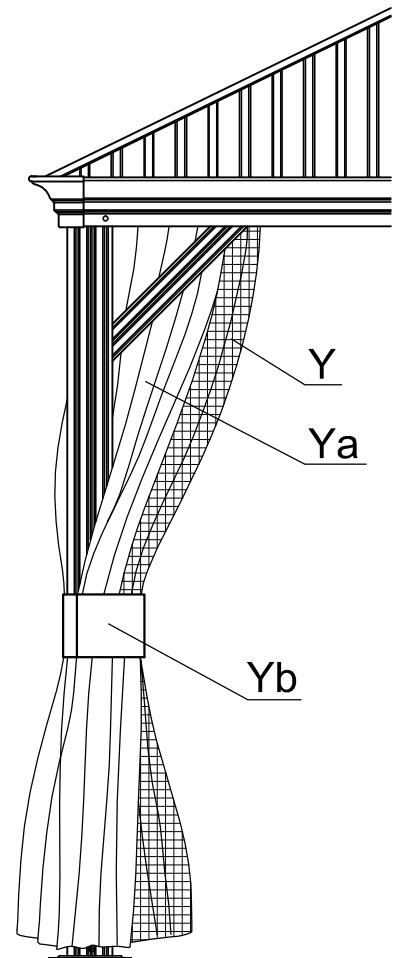
Y
Ya

Ya



Y

Ya



Y

Ya

Yb

Thanks for your purchase.

At domi outdoor living, we believe in our products.

That's why we provide a 12-month warranty and

friendly, easy-to-reach after-sales service. So if you

have any questions about our product and assembly,

please feel free to contact us. We will be here for you.

Support:



After-sales contact email:

service@domioutdoorliving.com

Please tell us your order ID when contact.

Attach photos of damaged part for instant reply.