

ASSEMBLING INSTRUCTION

A x1PC



B x1PC



C x1PC



D x1PC



E x6PC



M6x30

F x6PC



M6x18

G x4PC



M6x20

H x1PC

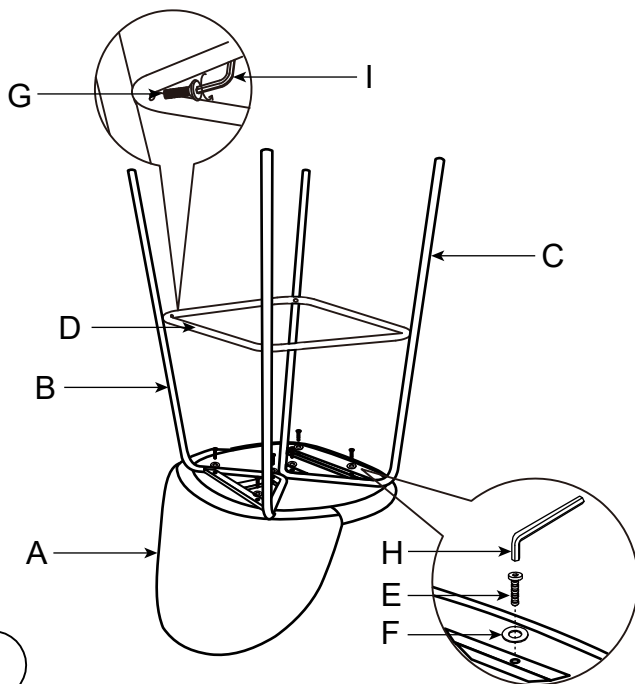


5#

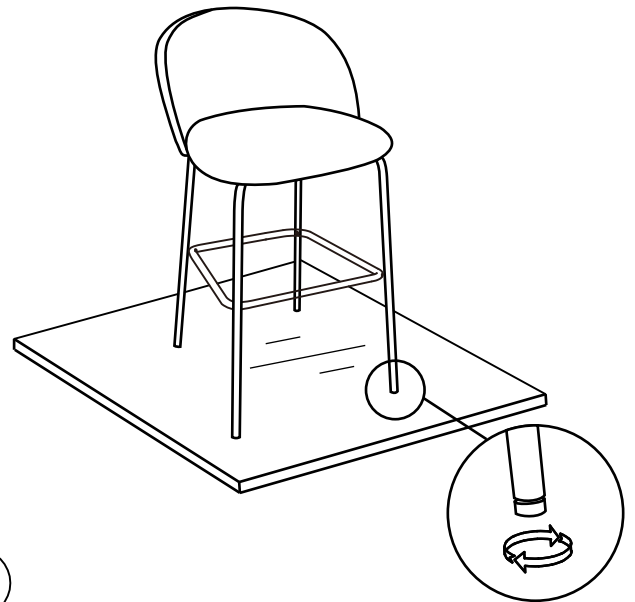
I x1PC



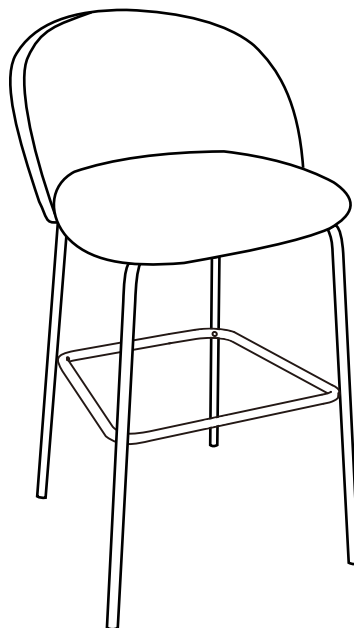
4#



1



2



3