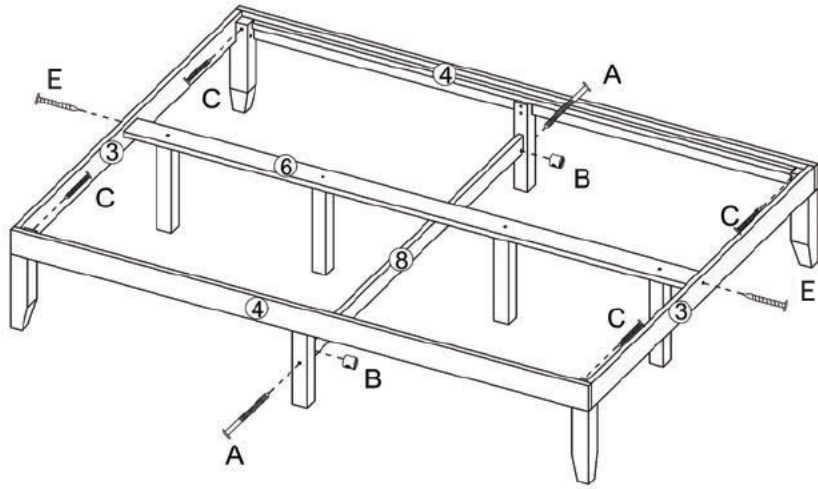

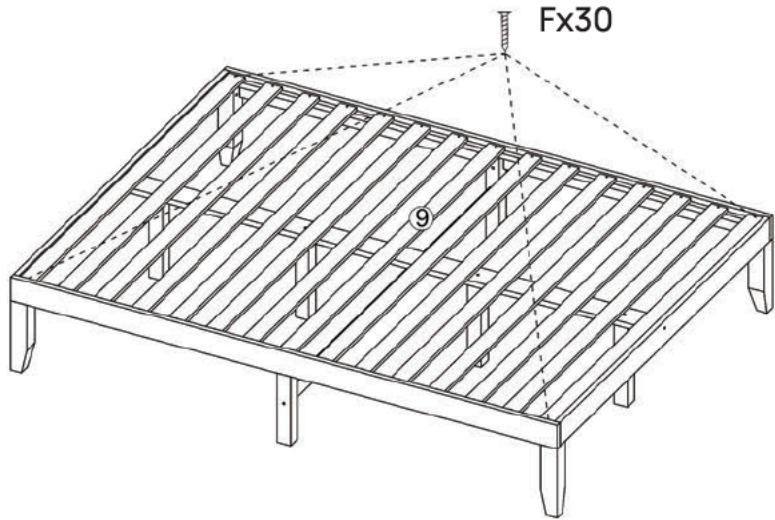


4







								
A	2	B	2	C	4	E	2	

5



# Part List

Part Code	Part	specification	Qty
A		M6×70	2+1
B		M6	2+1
C		M6×40	10+1
D		φ8×30	16+1
E		φ6×50	6+1
F	 	φ4×25	30+1
G		M4	1

