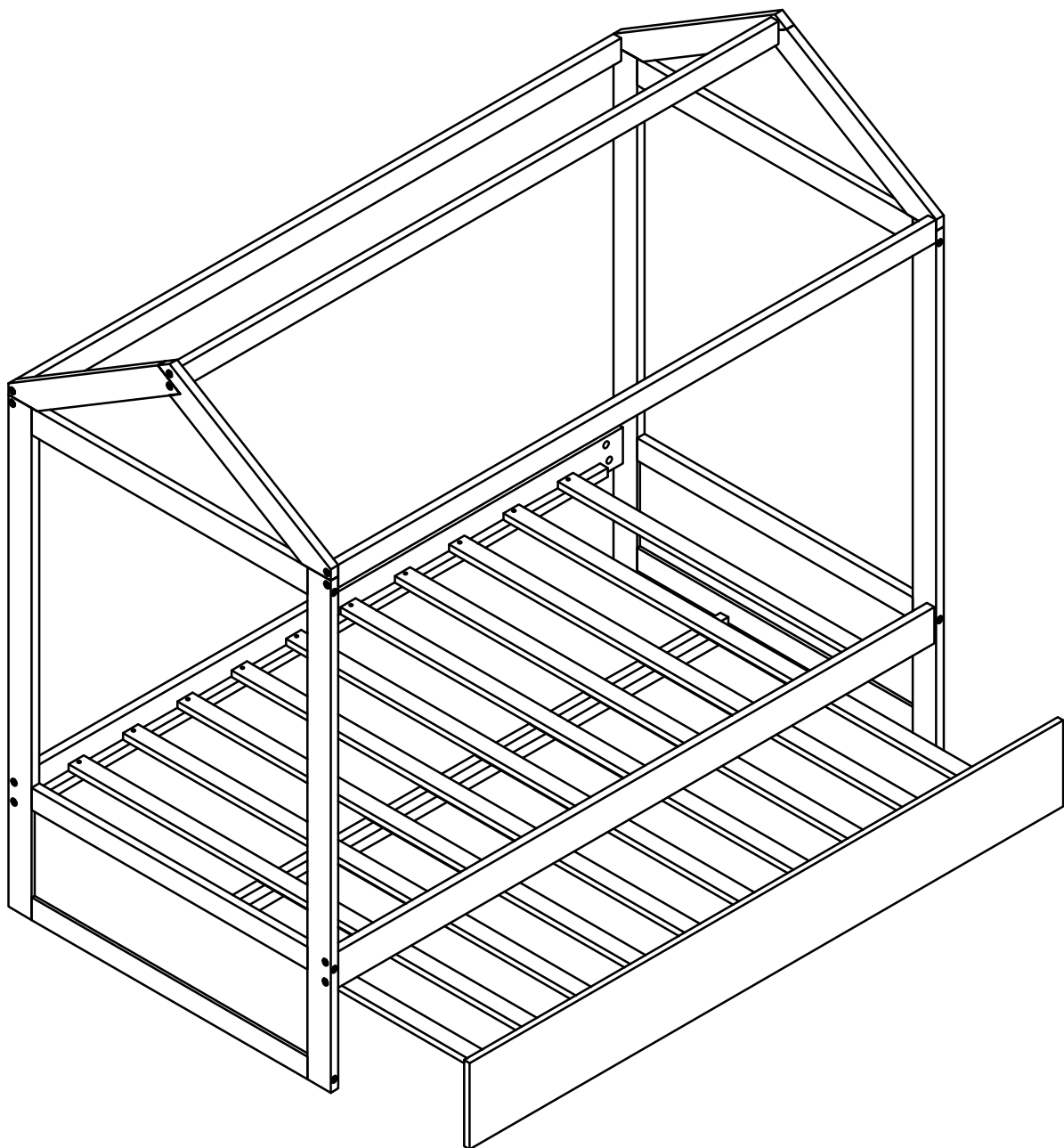
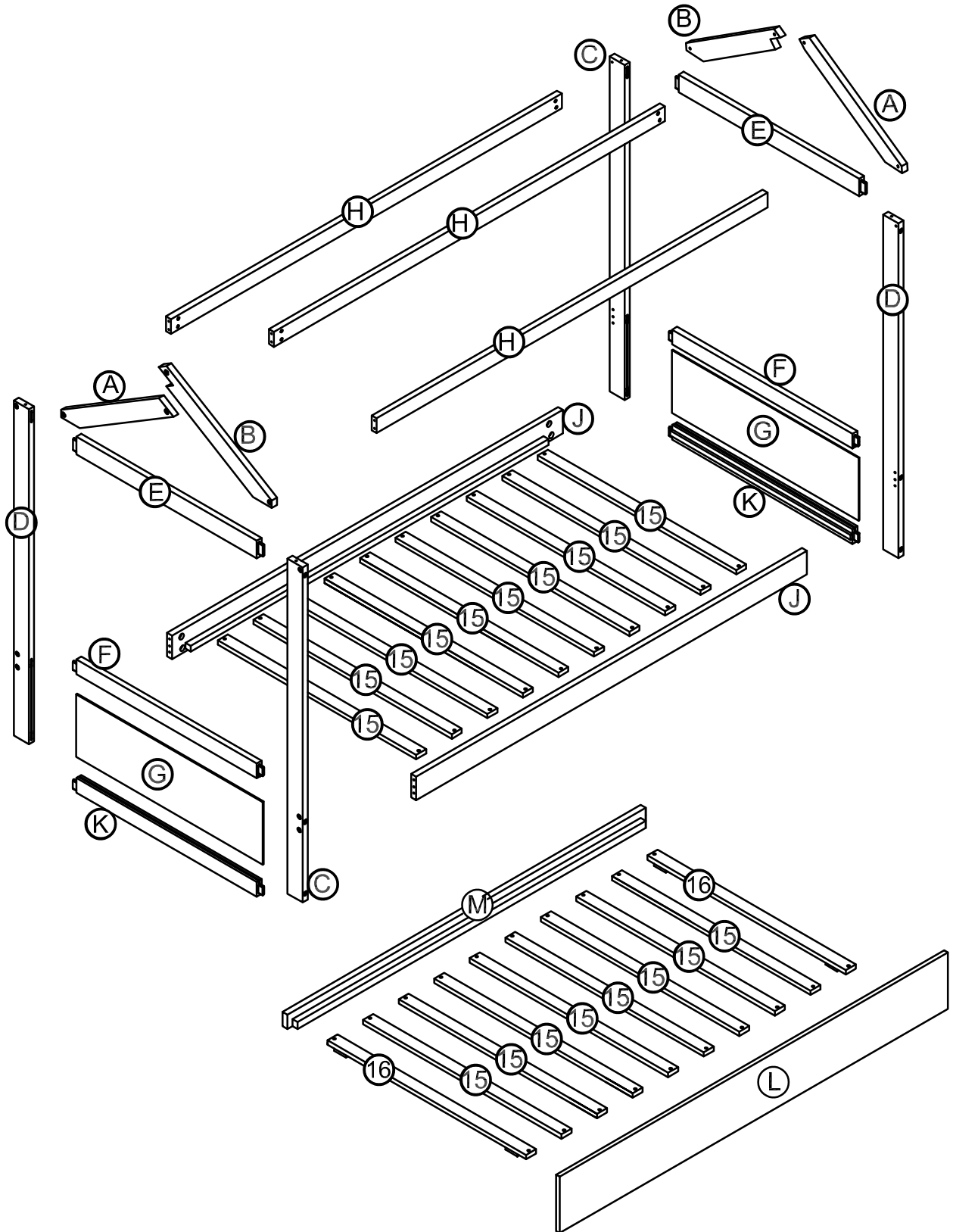


ASSEMBLY INSTRUCTIONS


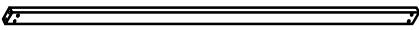
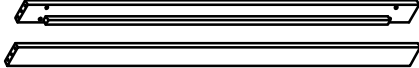
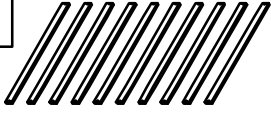
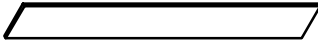

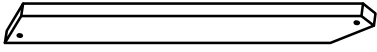
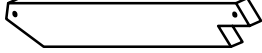
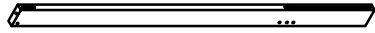
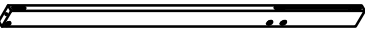



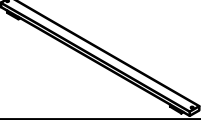
BEDHOUSE WITH TRUNDLE











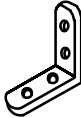
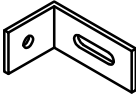
DETAIL VIEW



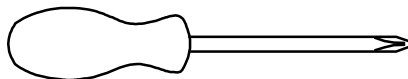
PART LISTS

<p>G</p> 	<p>H</p> 	<p>J</p> 
<p>Side panel - 2pcs</p>	<p>Guard rail top 3pcs</p>	<p>Side rail upper -2pcs</p>
<p>15</p> 	<p>L</p> 	<p>M</p> 
<p>Upper slat - 18pcs</p>	<p>Drawer front - 1pc</p>	<p>Drawer back - 1pc</p>
<p>A</p> 	<p>B</p> 	<p>C</p> 
<p>Cap for lower HB&FB-2pcs</p>	<p>Cap for upper HB&FB-2pcs</p>	<p>Upper leg HB&FB -2pcs</p>
<p>D</p> 	<p>E</p> 	<p>F</p> 
<p>Upper leg HB&FB -2pcs</p>	<p>Horizontal bar HB&FB-2pcs</p>	<p>Horizontal bar HB&FB-2pcs</p>
<p>K</p> 	<p>16</p> 	
<p>Horizontal bar HB&FB-2pcs</p>	<p>Upper slat - 2pcs</p>	

HARDWARE LISTS

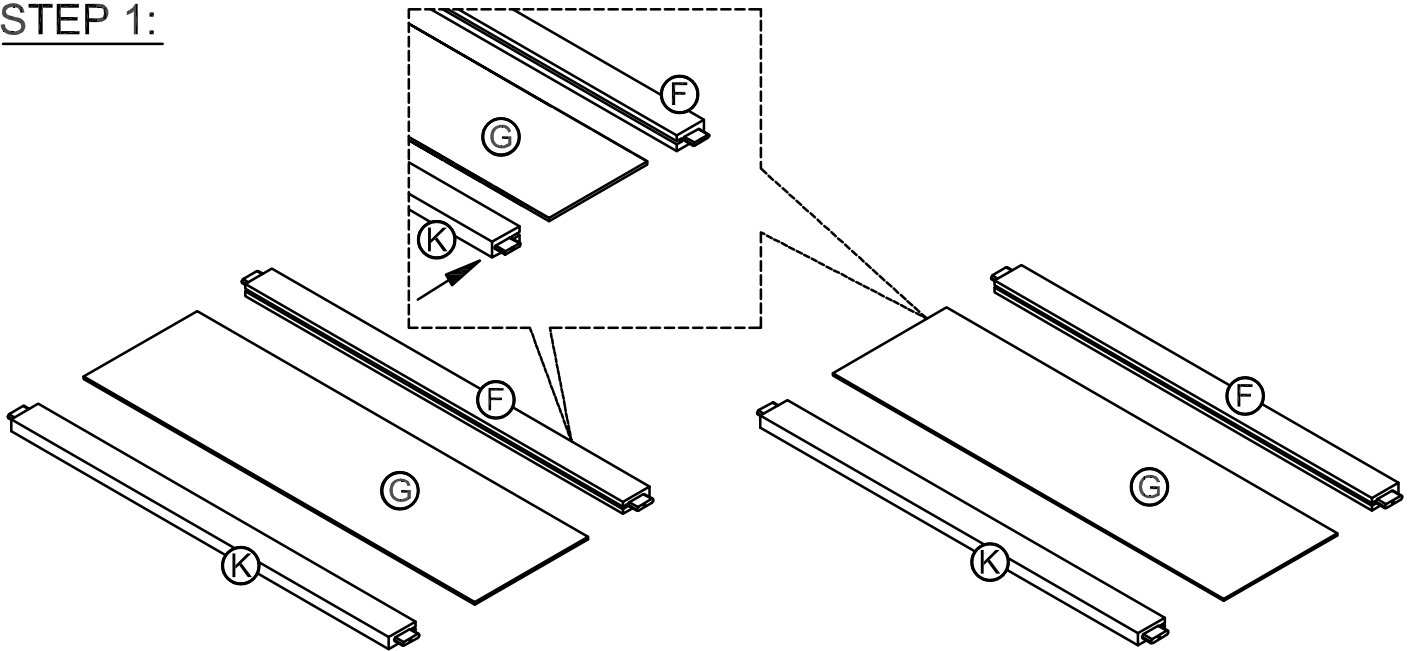
<p>1</p>  <p>Ø10 x 40 mm</p>	<p>2</p>  <p>Ø1/4" x 80 mm</p>	<p>3</p>  <p>Ø6" x 80 mm</p>
<p>Wood dowel (8pcs)</p>	<p>Hex-Head bolts (20pcs)</p>	<p>Wood Screws (12pcs)</p>
<p>5</p>  <p>Ø9.5x13mm</p>	<p>6</p>  <p># 4 x 30mm</p>	<p>7</p>  <p># 4 x 15mm</p>
<p>Horizontal-Hole bolts (20pcs)</p>	<p>Wood Screws (44pcs)</p>	<p>Wood Screws (24pcs)</p>
<p>8</p> 	<p>9</p>  <p>(1/4")4.5*58mm</p>	<p>10</p> 
<p>Wheels Ø32 (4pcs)</p>	<p>Allen Key (1pc)</p>	<p>Pass L: Ø1/4" - (3pcs)</p>
<p>11</p> 		
<p>Angle Metal (2pcs)</p>		

ASSEMBLY TOOLS REQUIRED (NOT INCLUDED)



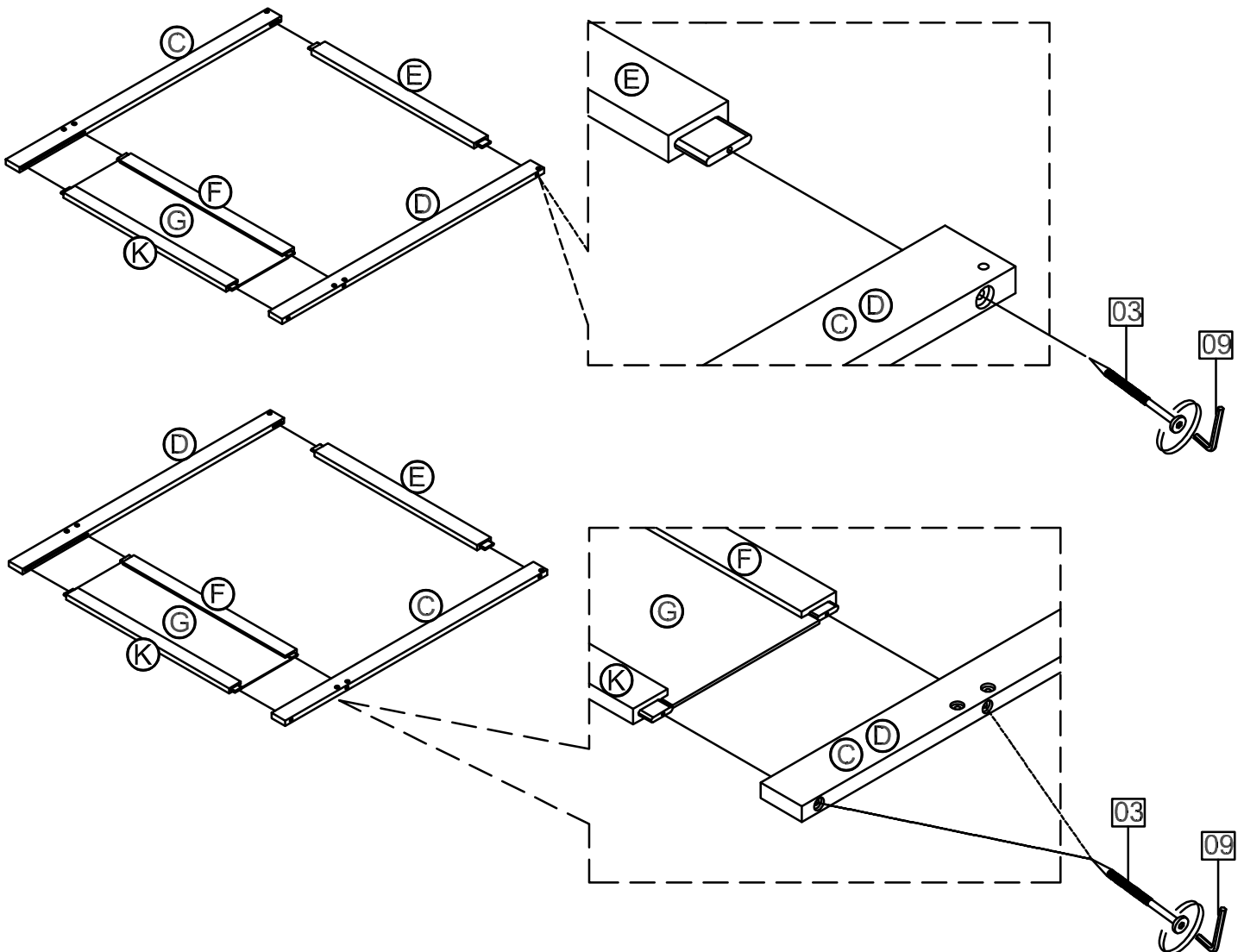
PLEASE BE CAREFUL DO NOT DAMAGE THE HOLE POSITION WHEN YOU USE POWER TOOLS !

STEP 1:






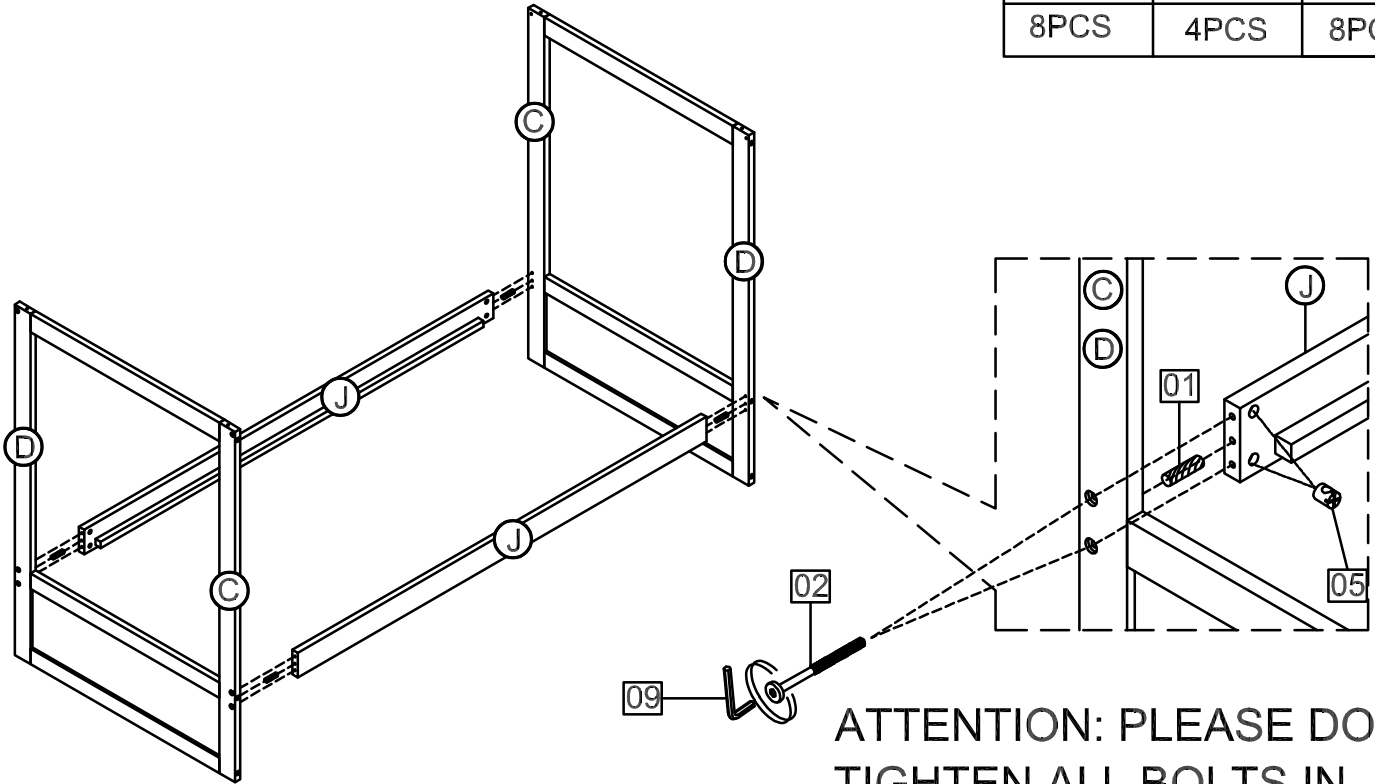
STEP 2:

03
12PCS





STEP 3:

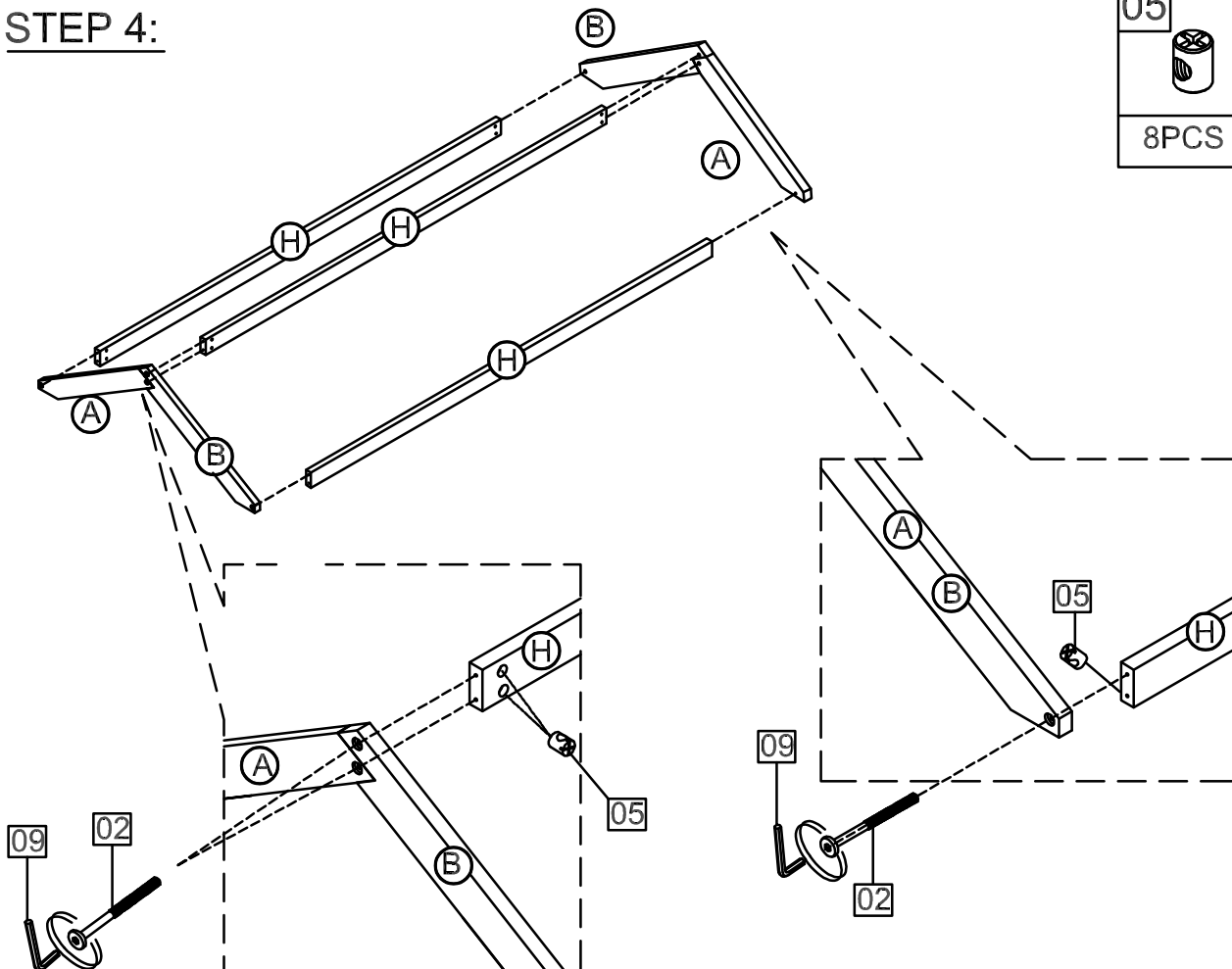
05	01	02
		
8PCS	4PCS	8PCS






ATTENTION: PLEASE DON'T
TIGHTEN ALL BOLTS IN
THIS STEP, JUST TIGHTEN
80%

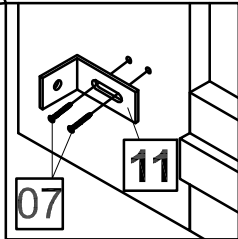
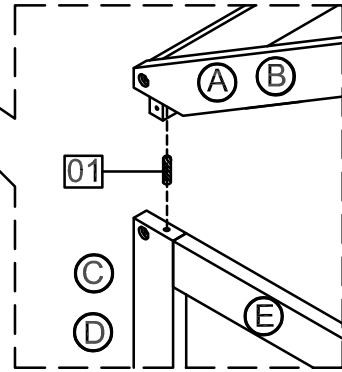
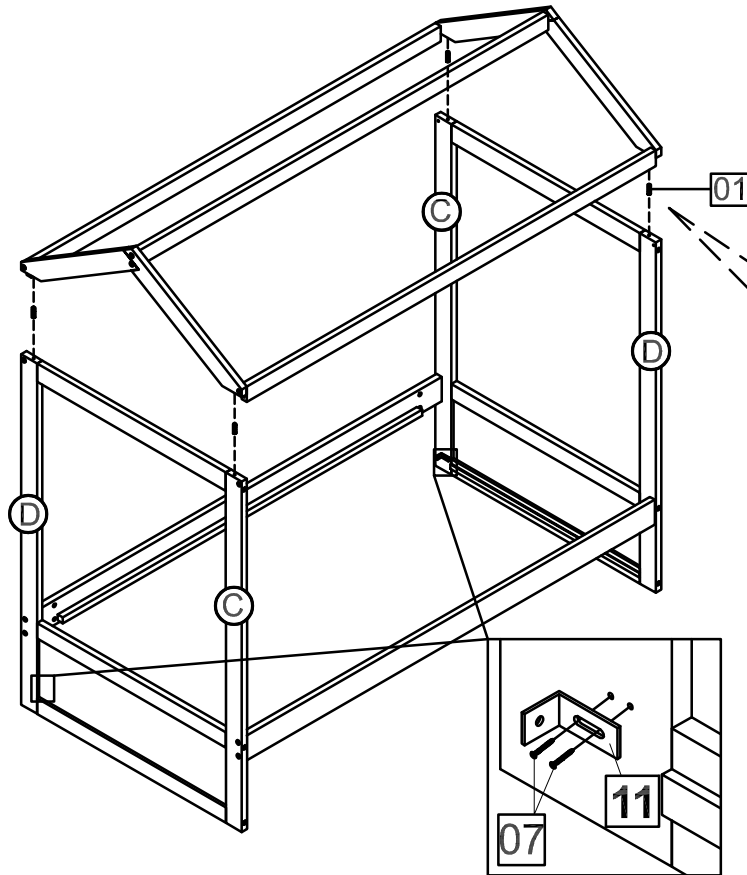
STEP 4:

05	02
	
8PCS	8PCS





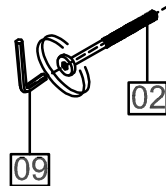
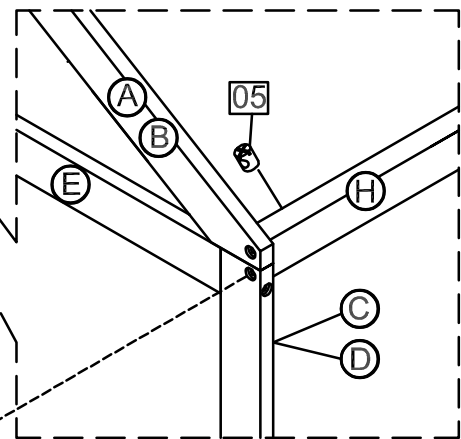
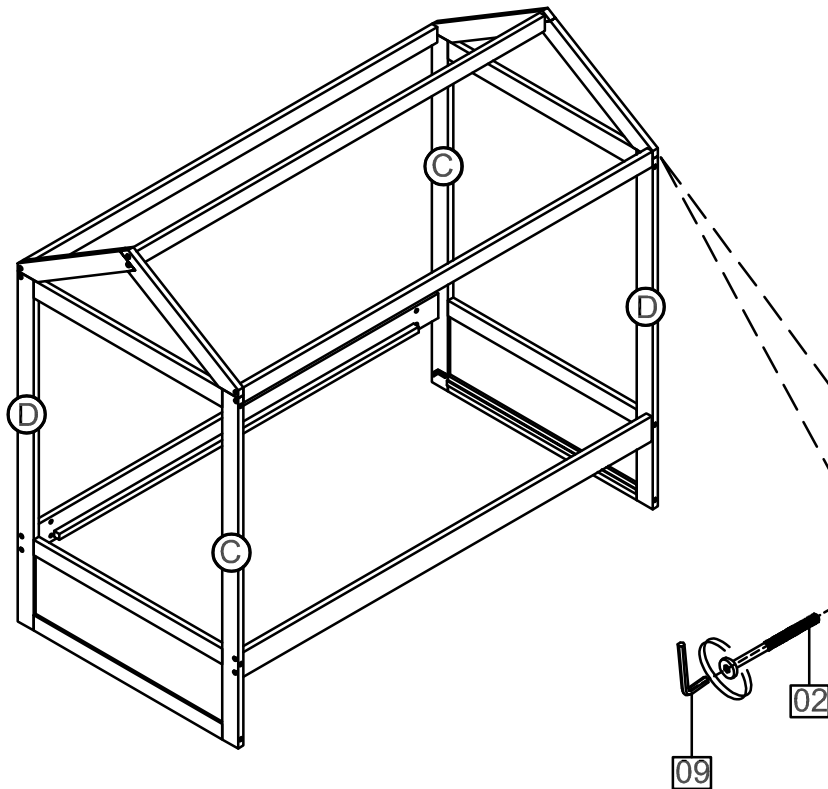
STEP 5:

07		11		01	
	4 PCS		2 PCS		4PCS




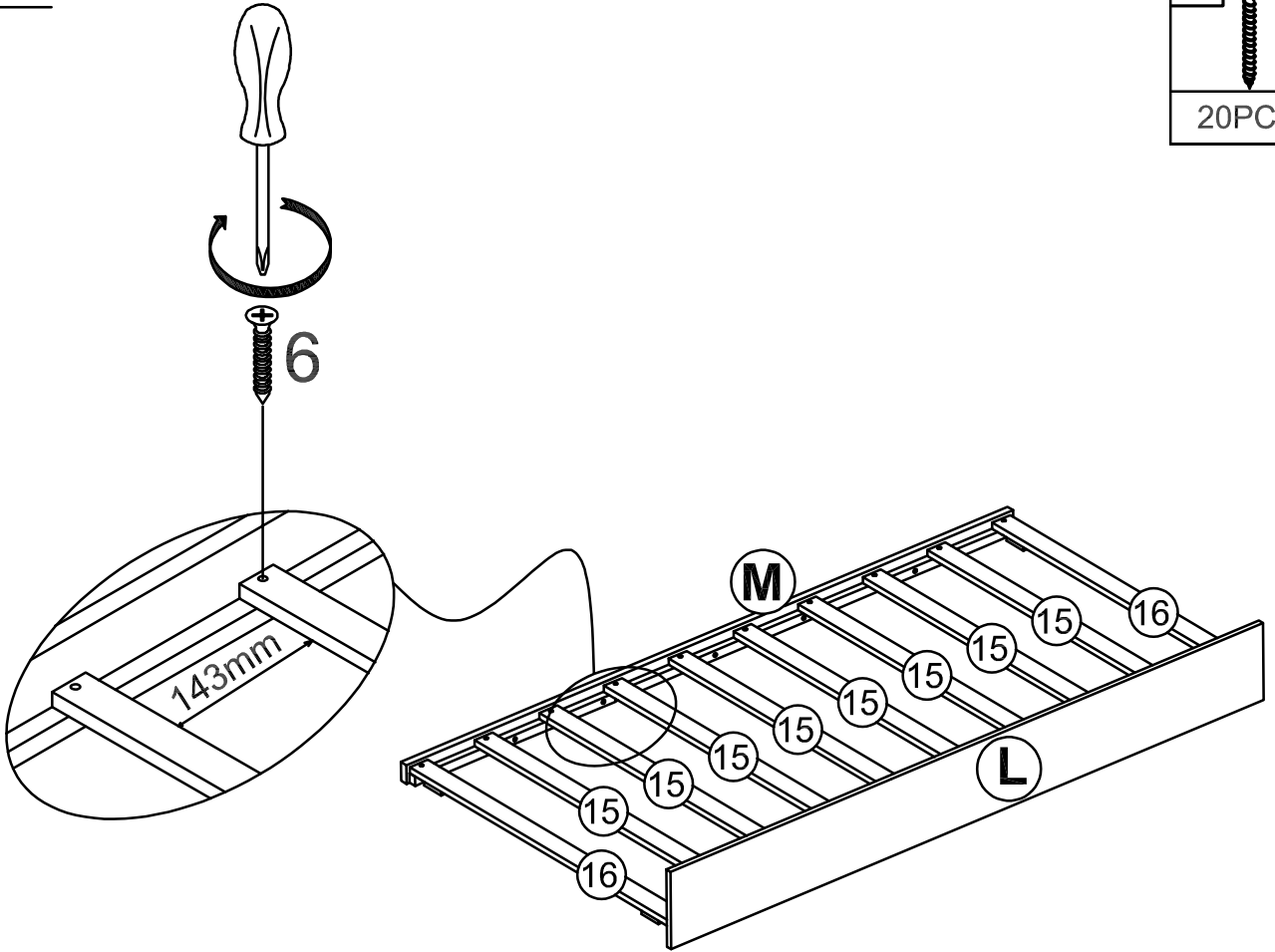
STEP 6:

05		02	
	4PCS		4PCS






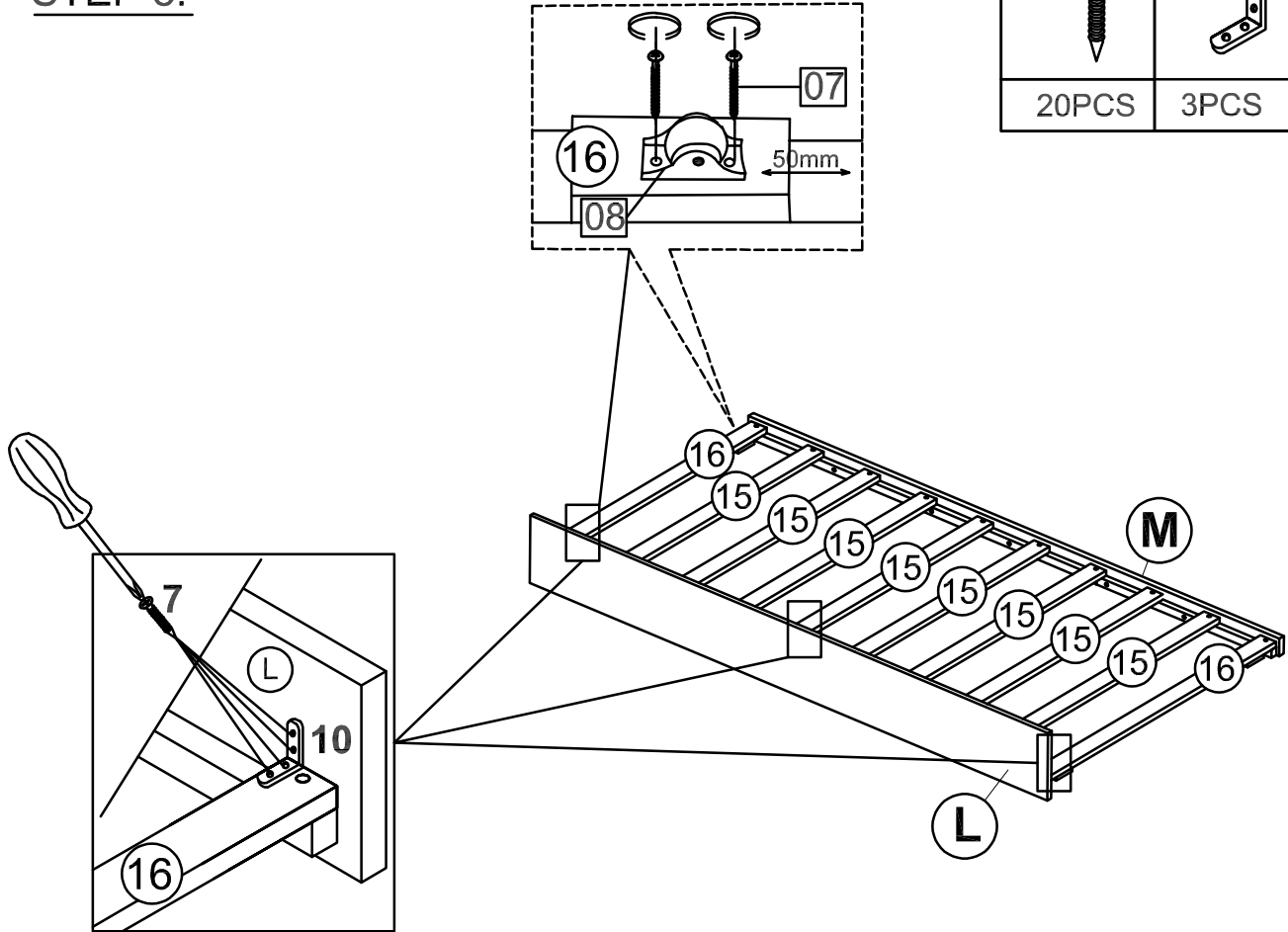
STEP 7:

06	
20PCS	



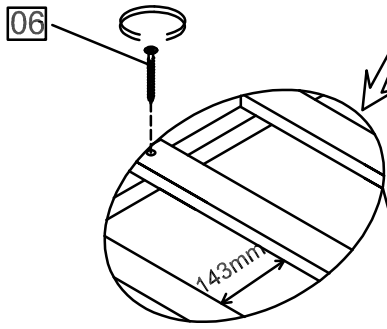
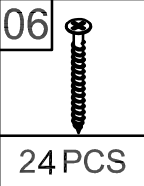
STEP 8:

07		10		08	
20PCS		3PCS		4PCS	



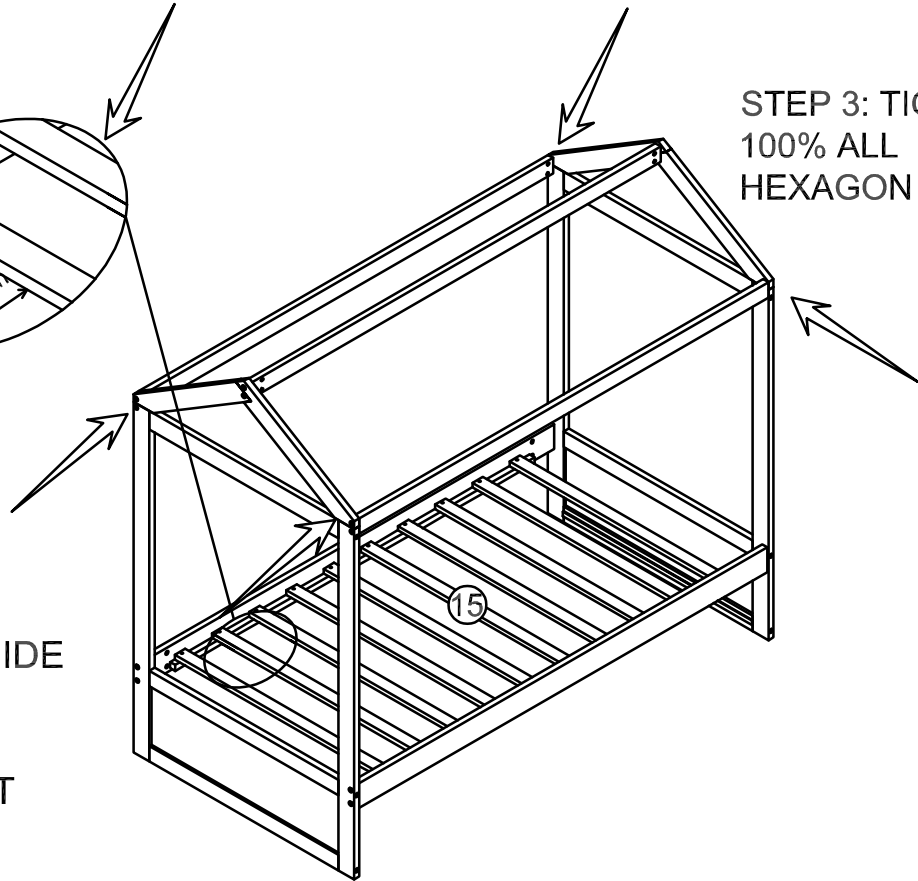
STEP 9:

STEP 2: SCREW
ALL SLATS

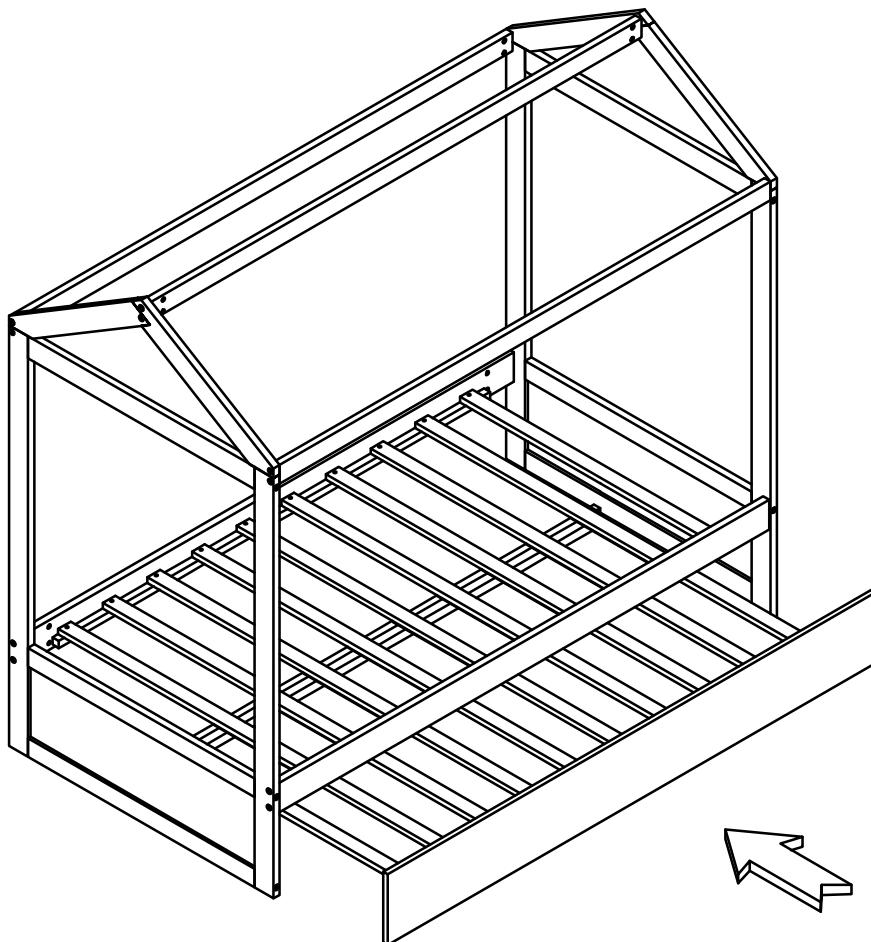


STEP 3: TIGHTEN
100% ALL
HEXAGON BOLTS

STEP 1: PULL SIDE
RAIL CLOSE
TOGETHER
ENOUGH TO FIT
THE SLATS



STEP 10:



Completed

