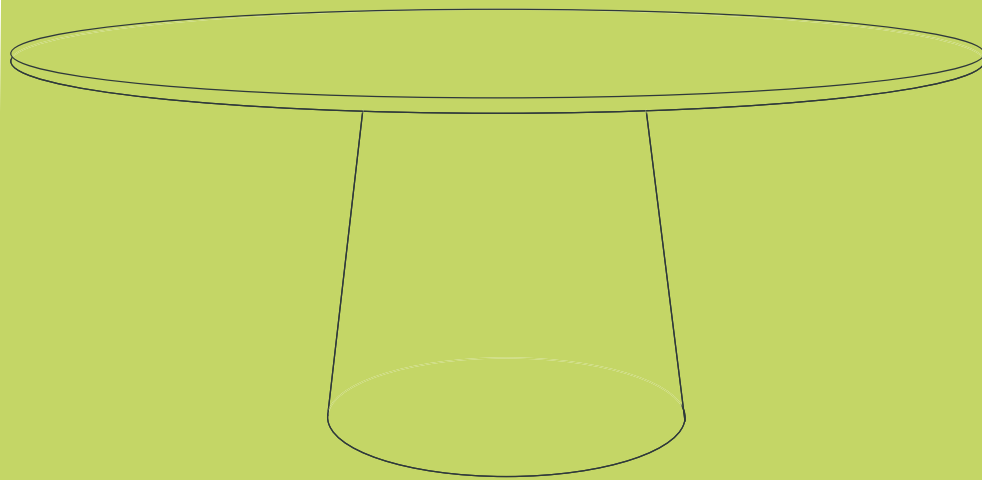


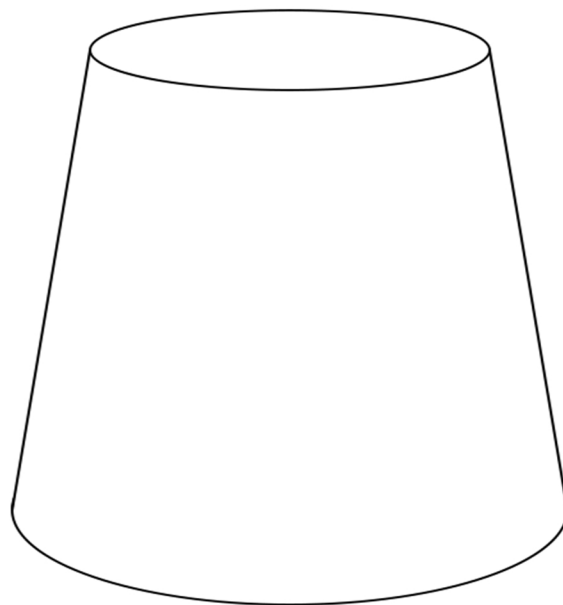
COFFEE TABLE



INSTALLATION INSTRUCTIONS

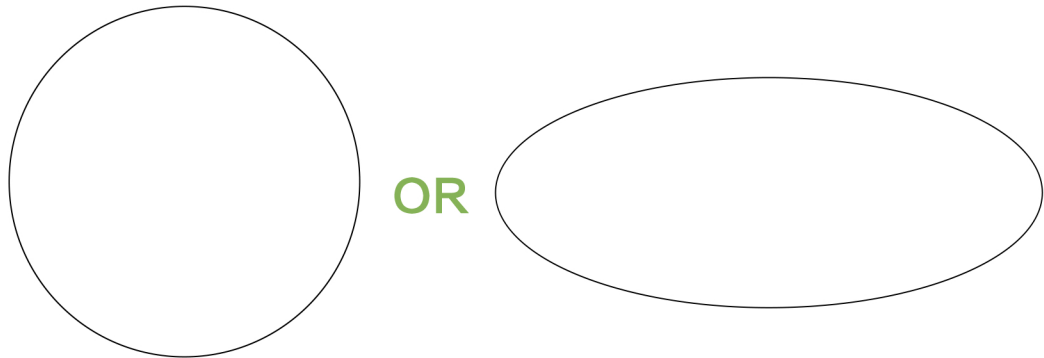
Please carefully read through this installation manual and follow the steps provided for assembly.

1. Application Scope

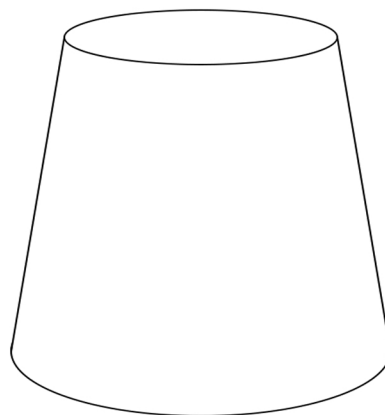


This manual applies to the installation of various base products. If you have purchased one of the following types of bases (as shown in the pictures), please read this manual carefully before assembly to follow the detailed installation steps.

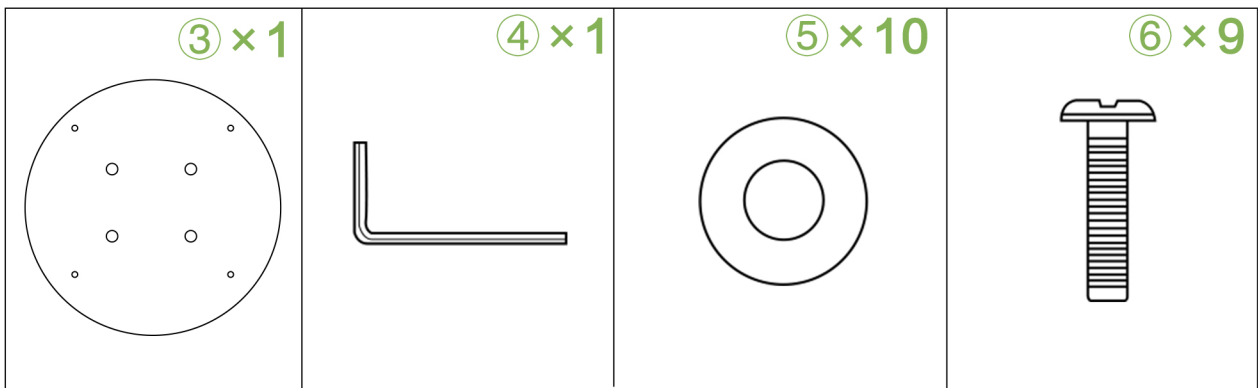
2. Installation sequence overview



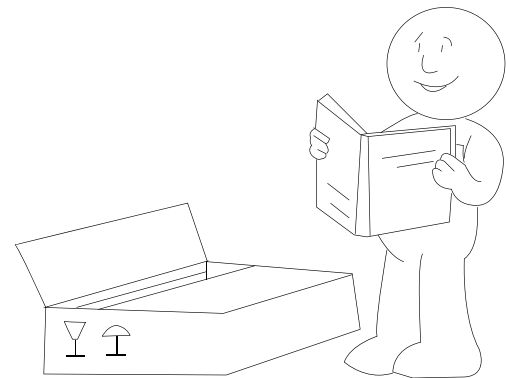
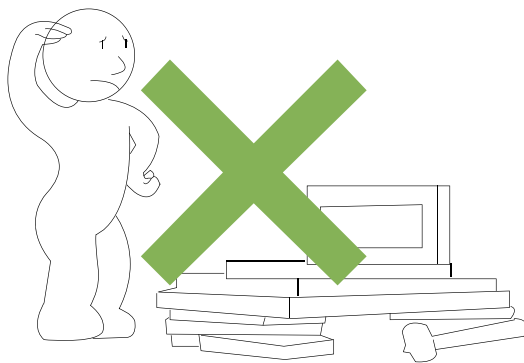
① Stone table top x1 Solid wood table top x1



② x 1



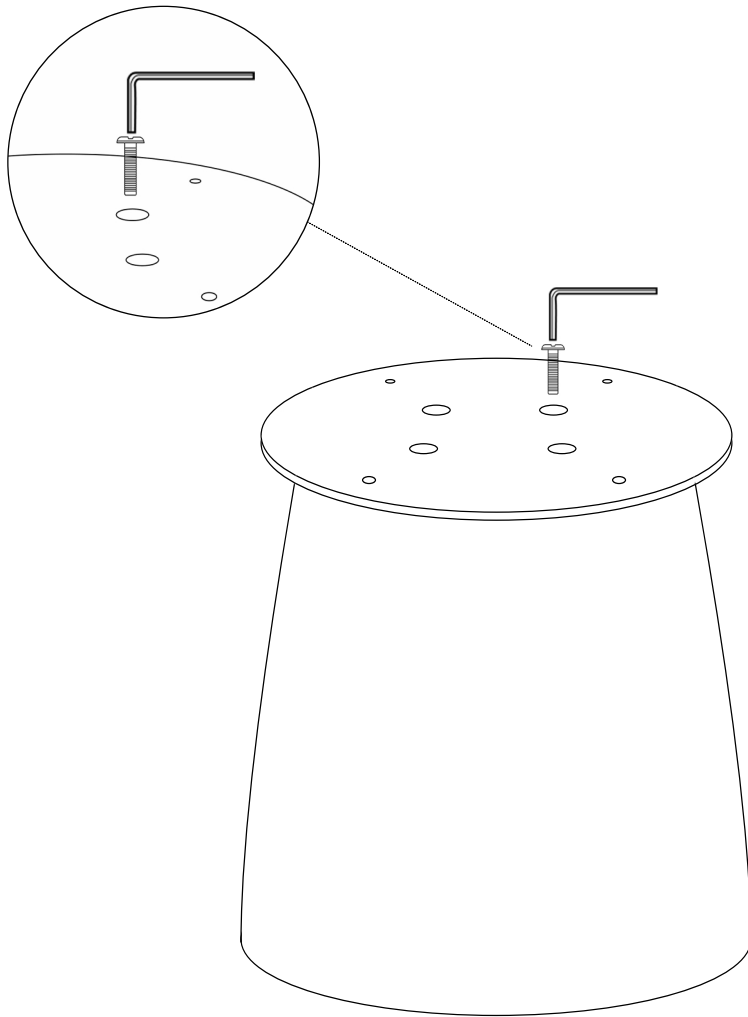
3. Important Notes



1. When flipping the unit during installation, handle with care. It is recommended to place it on a soft surface (e.g., carpet) to protect your coffee table from scratches.
2. Avoid fully tightening any screws initially. When installing the final screw, return to secure all previously loosened fasteners.
3. Due to the tabletop's substantial weight, two-person installation is strongly advised for safe lifting and proper alignment when attaching the tabletop to the base.
4. If visibility is limited during under-table screw installation, use supplemental lighting (e.g., flashlight) for better visual assistance.

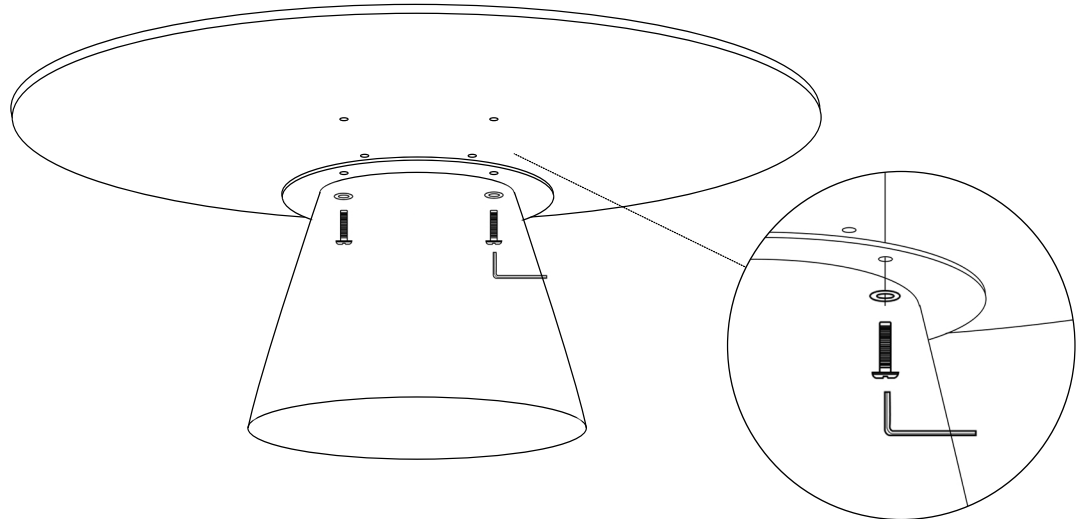
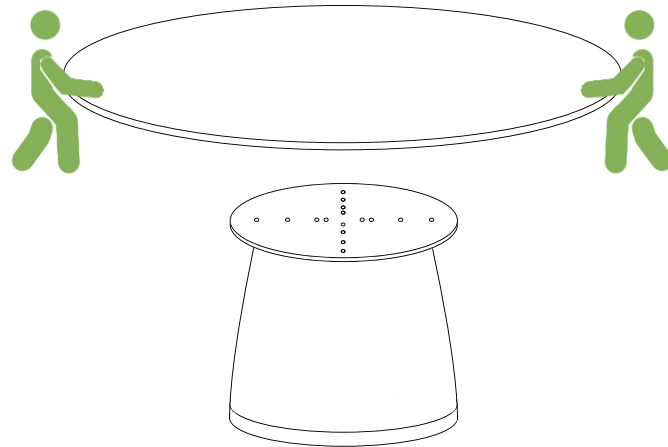
04

4. Install the base and connecting plate



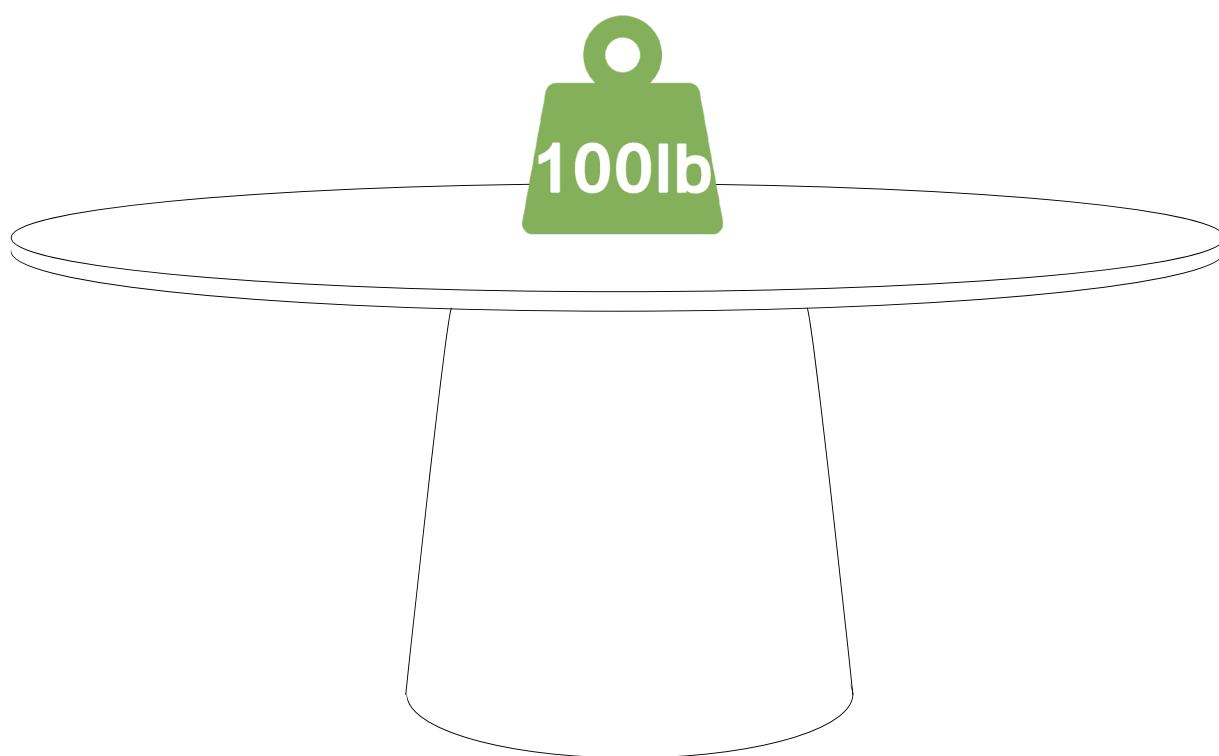
First, position the connecting plate onto the base and secure both components with screws.

5. Install the tabletop and base



1. Two people lift the coffee table top together.
2. Place the coffee table top onto the base, aligning the holes on the bottom of the top with the connecting plate.
3. Use a screwdriver to install the screws one by one, and tighten them securely at the end.

6. Installation completed



Care and maintenance

To care for your solid wood furniture, keep it away from moisture and sunlight, clean regularly with a dry cloth, and treat with wood wax oil. For the stone surface, avoid direct contact with hot items and sharp objects, promptly address oil stains, and clean with a damp cloth to maintain its integrity.