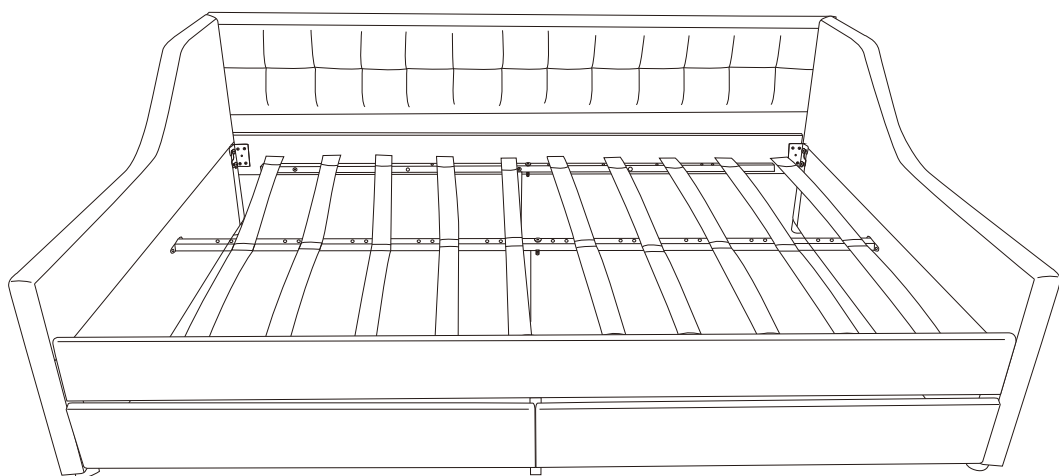

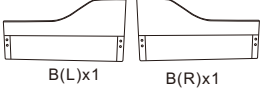
















# stylor sofa bed












# ASSEMBLY INSTRUCTION

## Parts List

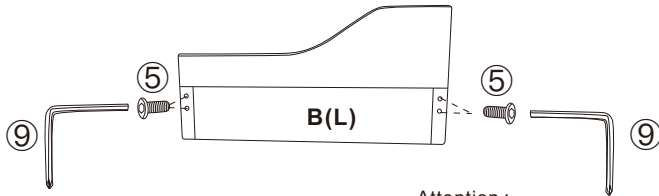
<p><b>A</b></p>  <p>x1</p>	<p><b>B</b></p>  <p>B(L)x1    B(R)x1</p>	<p><b>C</b></p>  <p>There are holes in the foot bottom.</p> <p>x1</p>	<p><b>D</b></p>  <p>x2</p>
<p><b>E</b></p>  <p>x1</p>	<p><b>F</b></p>  <p>x2</p>	<p><b>G</b></p>  <p>x2</p>	<p><b>H</b></p>  <p>x8</p>
<p><b>I</b></p>  <p>Metal for drawer</p> <p>x2</p>	<p><b>J</b></p>  <p>x2</p>	<p><b>K</b></p>  <p>x20</p>	<p><b>L</b></p>  <p>Legs</p> <p>x4</p>
<p><b>M</b></p>  <p>Single holes</p> <p>x20</p>	<p><b>N</b></p>  <p>both holes</p> <p>x10</p>	<p><b>O</b></p>  <p>x4</p>	<p><b>P</b></p>  <p>x4</p>

## Hardware List

<p>① M6x50</p>  <p>4pcs</p>	<p>② M6x60</p>  <p>4pcs</p>	<p>③ M6x16</p>  <p>10pcs</p>	<p>④ M8x40</p>  <p>6pcs</p>
<p>⑤ M8x20</p>  <p>12pcs</p>	<p>⑥</p>  <p>1pc</p>	<p>⑦</p>  <p>6pcs</p>	<p>⑧</p>  <p>10pcs</p>
<p>⑨</p>  <p>1pc</p>			

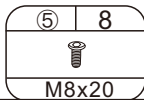
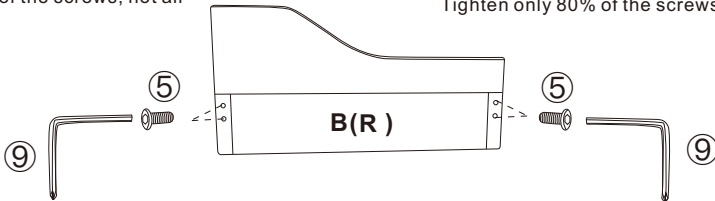
# ASSEMBLY INSTRUCTION

1

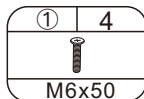
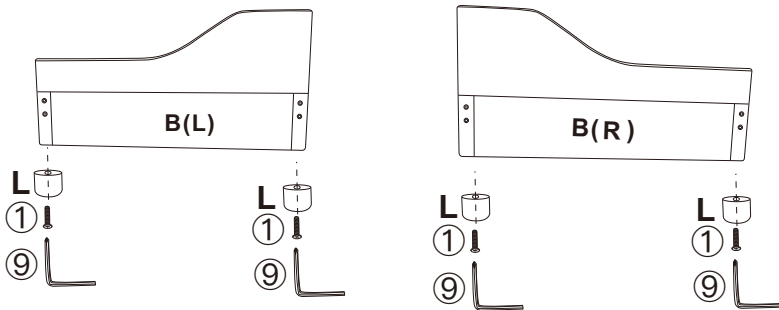


Attention :  
Tighten only 80% of the screws, not all of them.

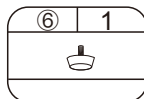
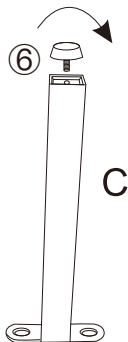
Attention :  
Tighten only 80% of the screws, not all of them.



2

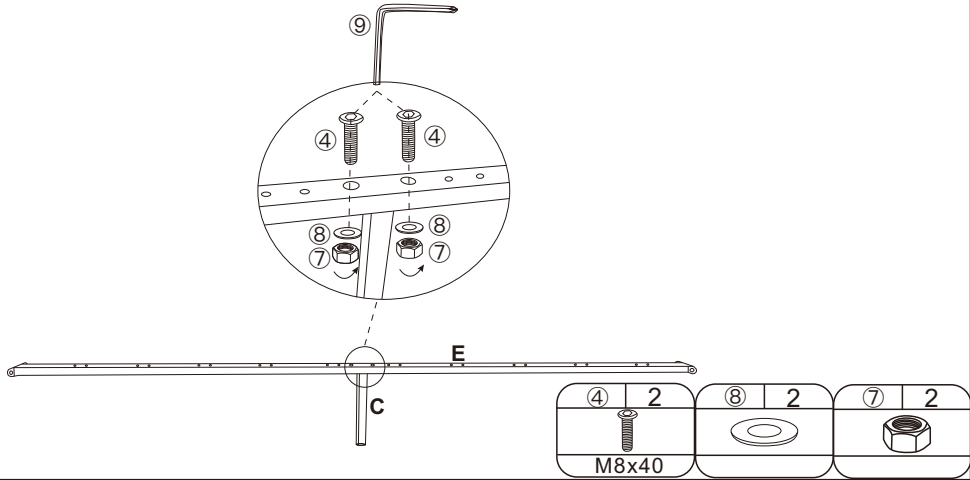


3

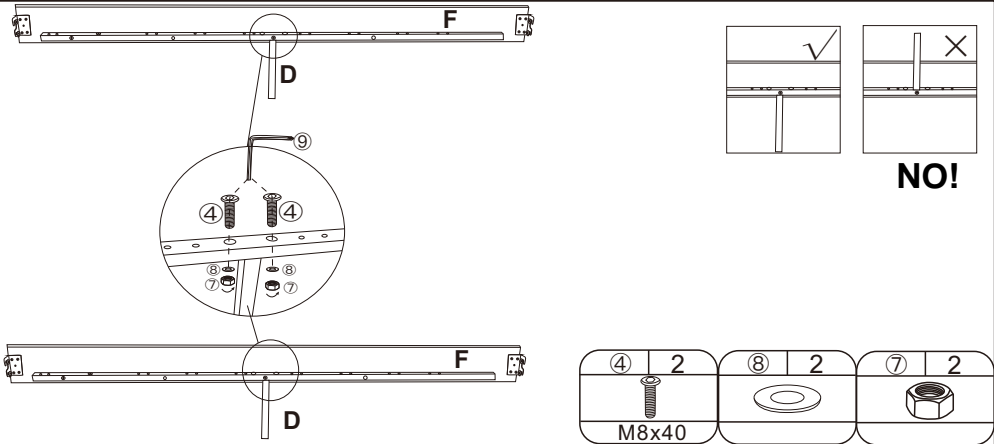


# ASSEMBLY INSTRUCTION

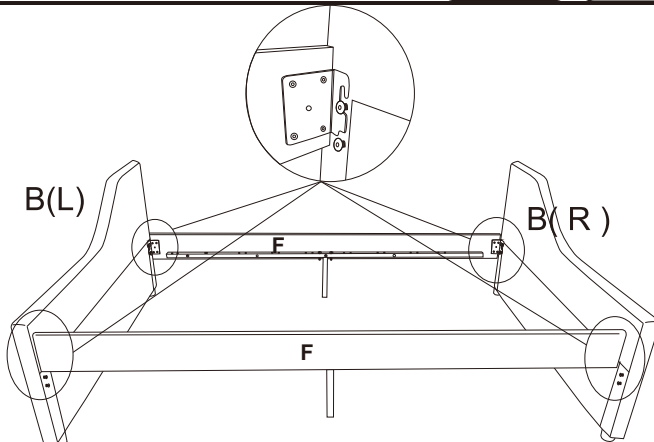
4



5

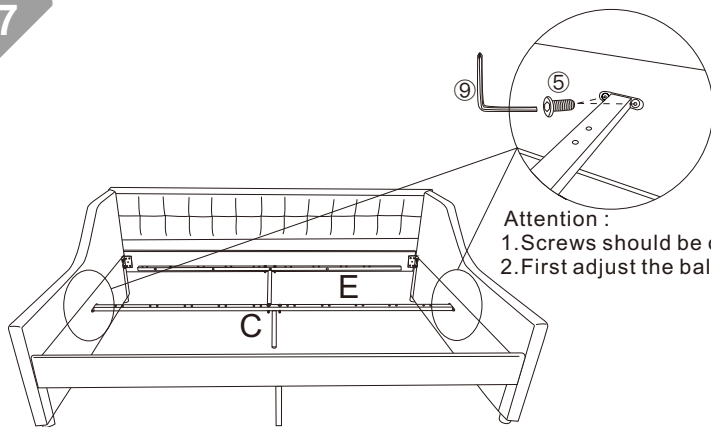


6



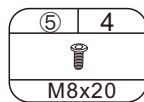
# ASSEMBLY INSTRUCTION

7

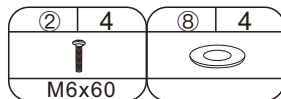
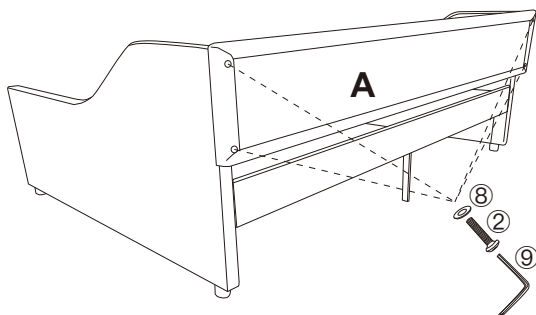


Attention :

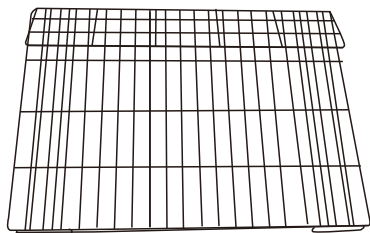
1. Screws should be only 50% tight.
2. First adjust the balance of the bed ,then lock it 100%



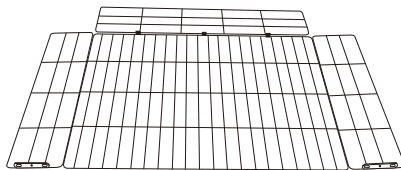
8



9



Attention :  
Open it



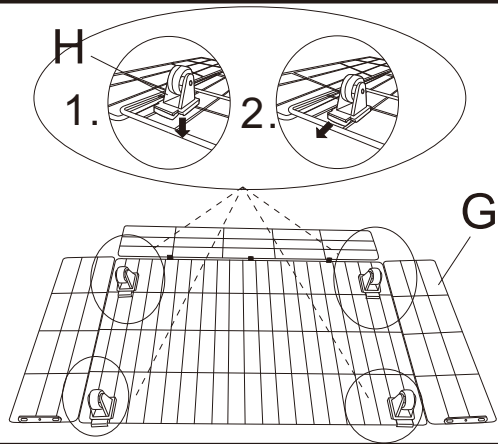
Attention: Repeat another drawer.

# ASSEMBLY INSTRUCTION

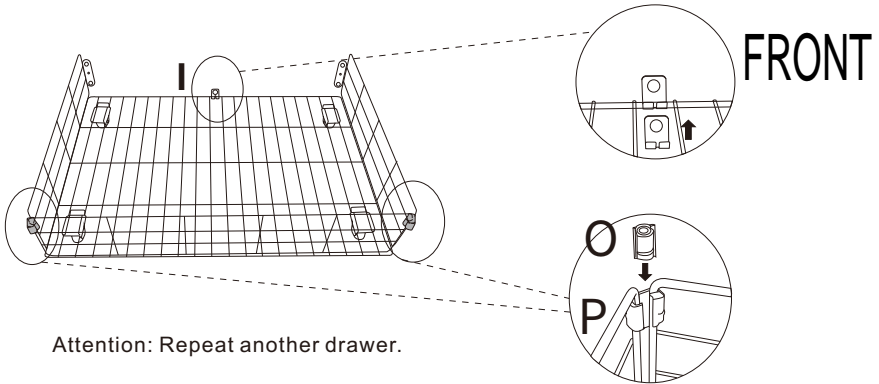
10

Attention :

1. Press down
2. Press front
3. Repeat another drawer.

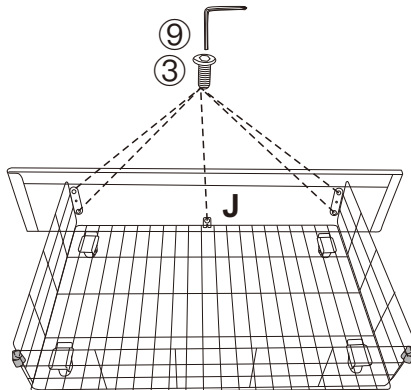


11



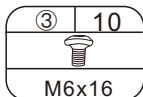
Attention: Repeat another drawer.

12



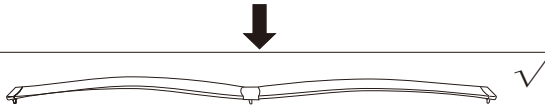
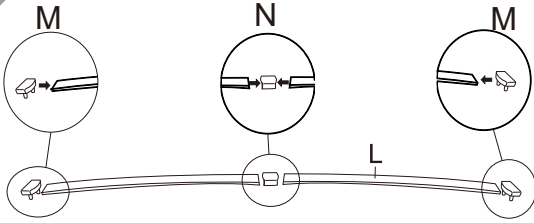
Attention :

1. Screws should be only 50% tight.
2. First adjust the drawer of the bed ,then lock it 100%.
3. Repeat another drawer.



# ASSEMBLY INSTRUCTION

13



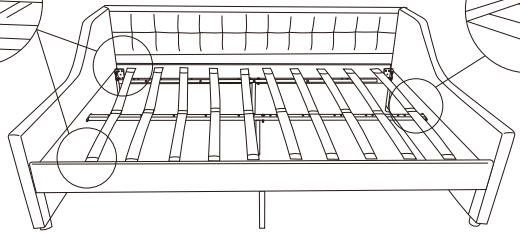
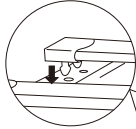
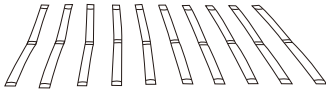
14

Attention :  
on the side

M

Attention :  
on the middle

N



15

