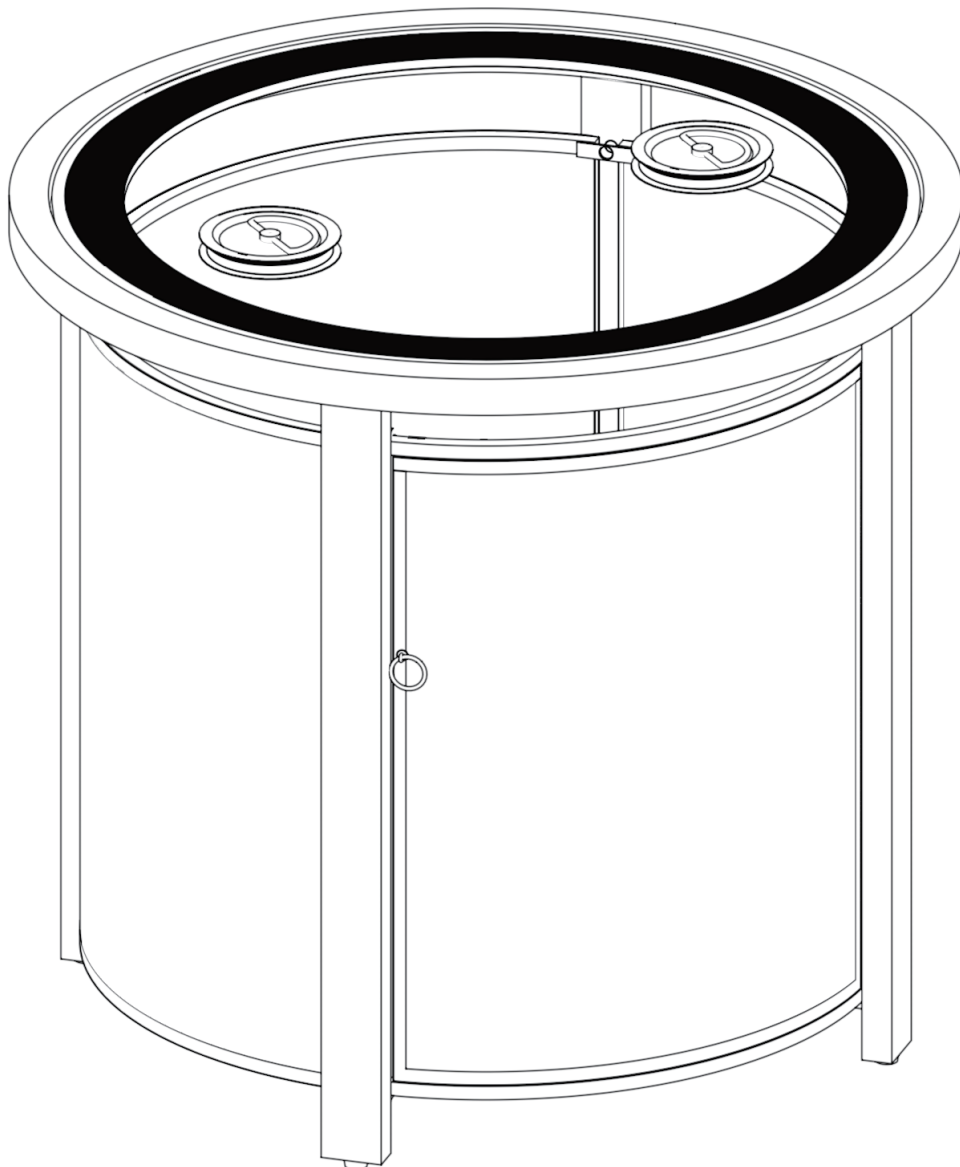




# LEISUREMOD

Your own classic™

## *Round Tank Holder Assembly Guide*



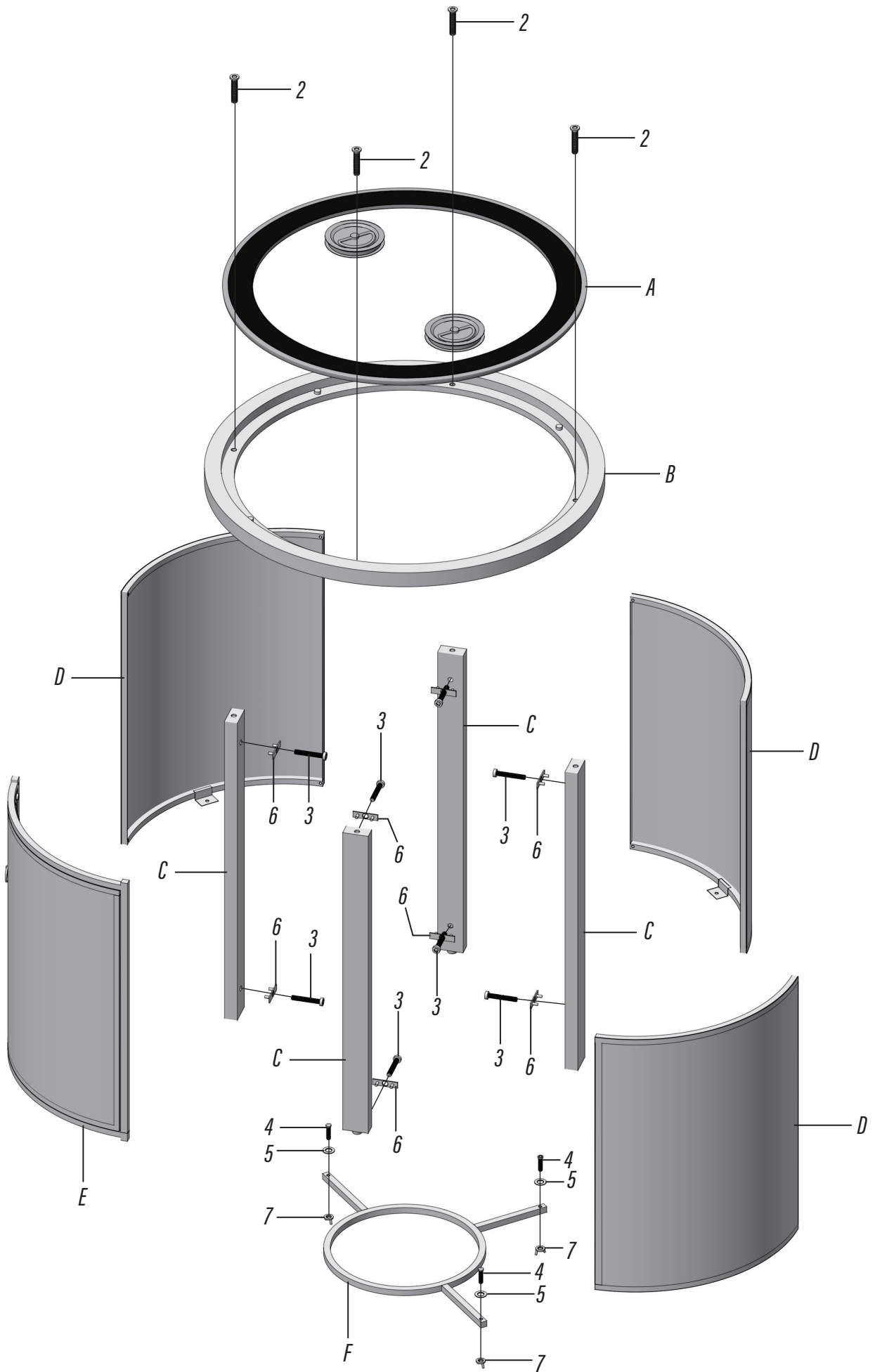


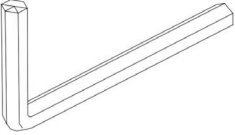

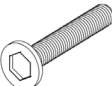
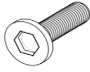

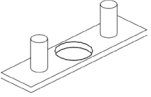

## ***READ BEFORE INSTALLATION***

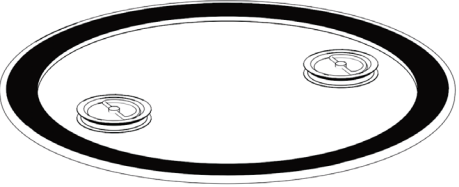
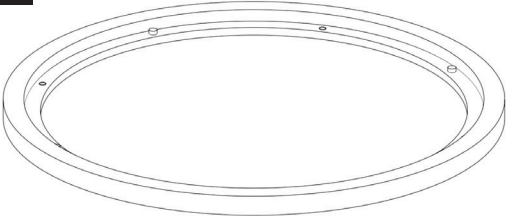

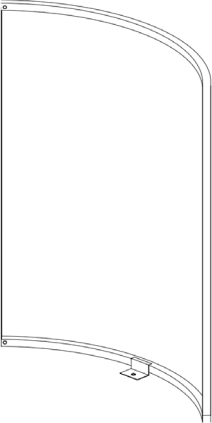
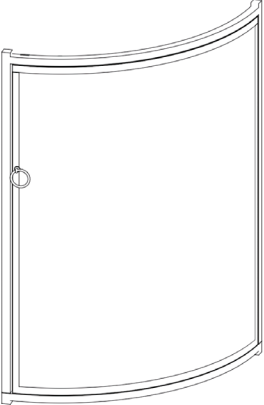

- 1. This product contains tempered glass, please protect carefully.*
- 2. Placing the product on a soft and smooth surface is desperately needed during the installation such as rug or carpet.*
- 3. Do not tighten all screws until step 3 is completed.*
- 4. Please use the low speed when you are using an electric power tool.*
- 5. Two persons are recommended for assembly.*
- 6. You can scan the QR code below with your phone to watch a more detailed assembly video.*



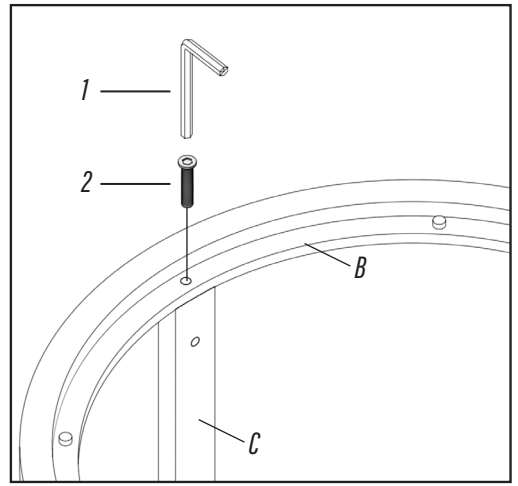
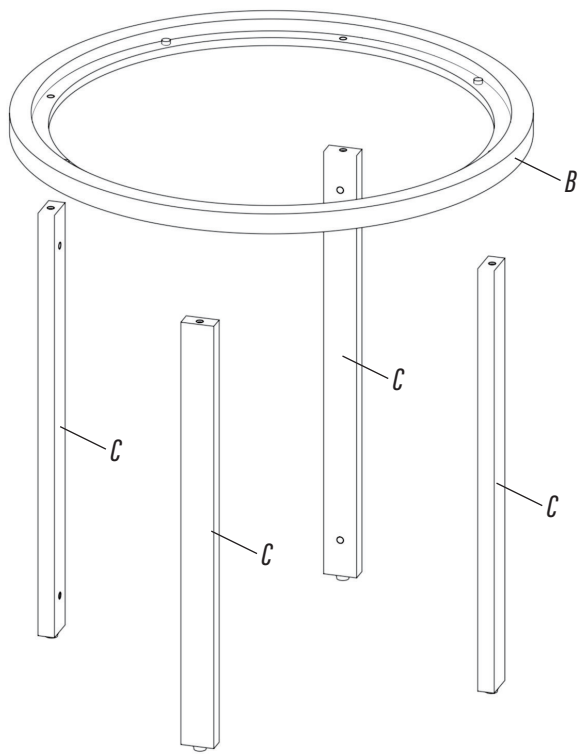
# Product explosion diagram



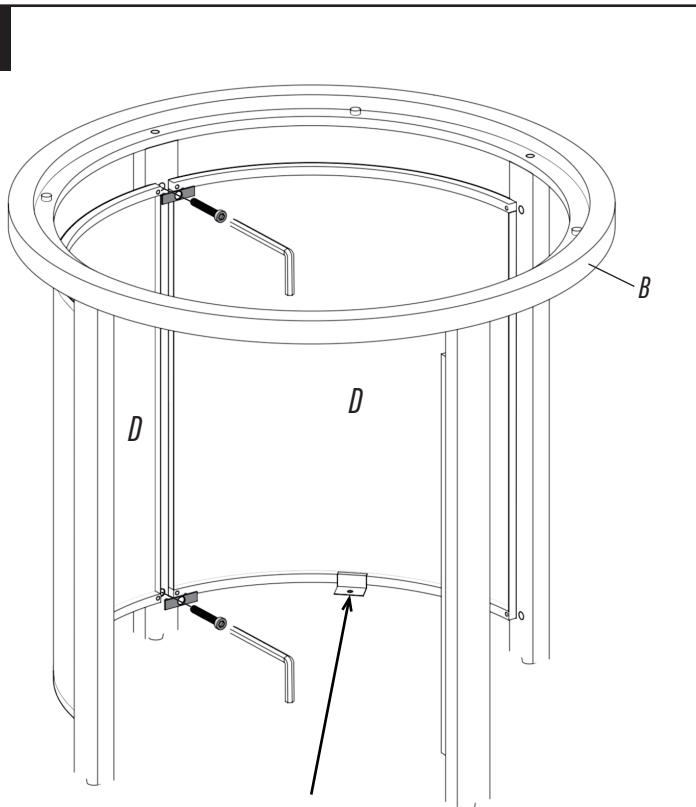
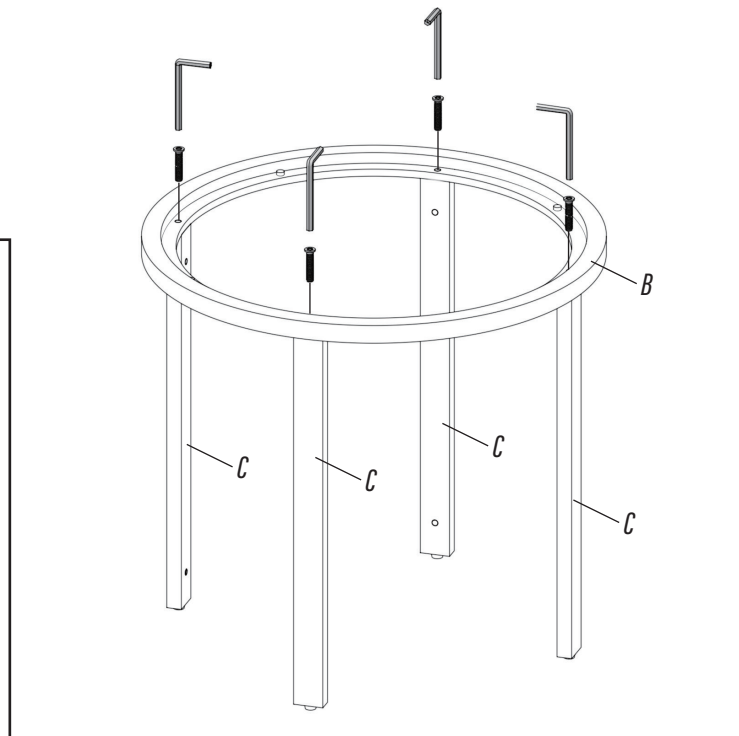
<p><b>1</b></p>  <p>1 pcs</p>	<p><b>2</b> m8 x 25mm</p>  <p>4 pcs</p>	<p><b>3</b> m6 x 35mm</p>  <p>8 pcs</p>	<p><b>4</b> m6 x 25mm</p>  <p>3 pcs</p>	<p><b>5</b></p>  <p>3 pcs</p>
<p><b>6</b></p>  <p>8 pcs</p>	<p><b>7</b></p>  <p>3 pcs</p>			

<p><b>A</b></p>  <p>1 pcs</p>	<p><b>B</b></p>  <p>1 pcs</p>	<p><b>C</b></p>  <p>4 pcs</p>
<p><b>D</b></p>  <p>3 pcs</p>	<p><b>E</b></p>  <p>1 pcs</p>	
<p><b>F</b></p>  <p>1 pcs</p>		

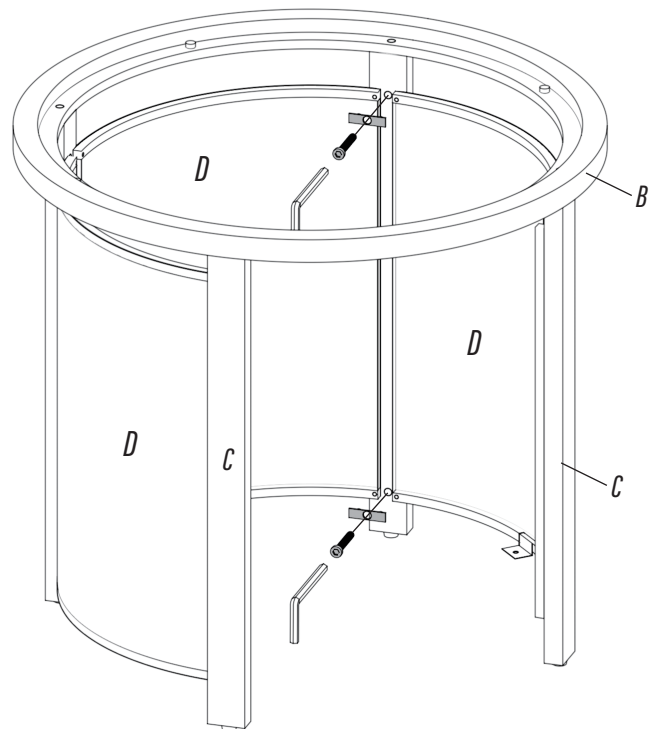
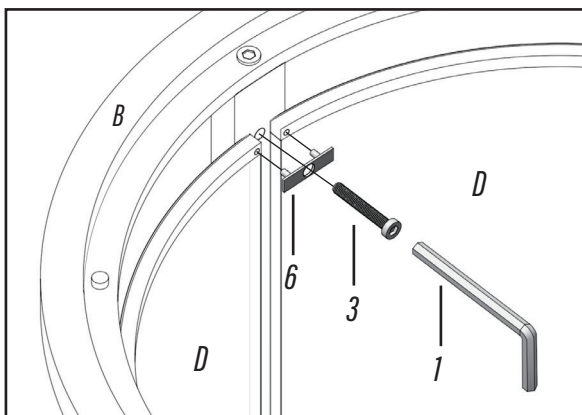
1



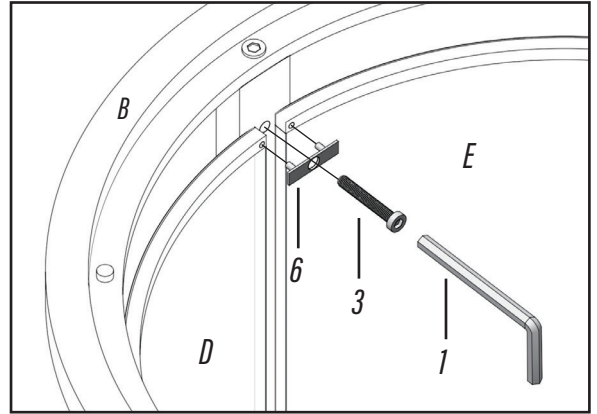
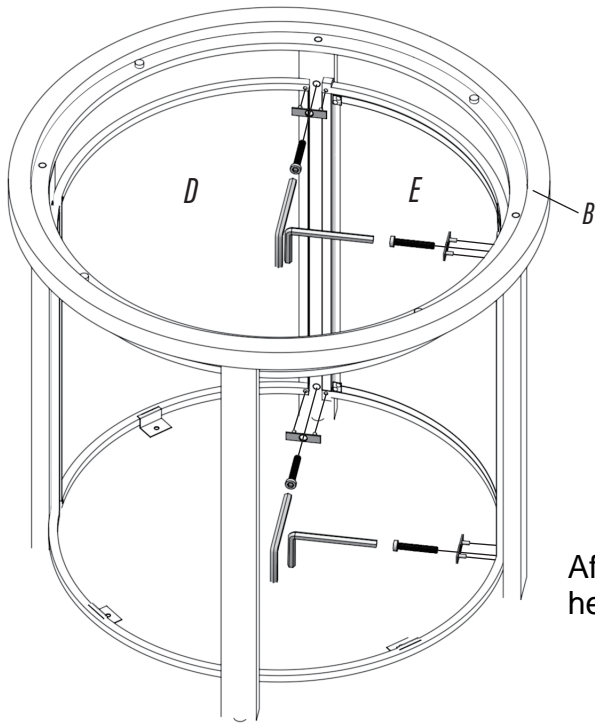
2



When installing part "D", Please note that the side with this part is facing down.

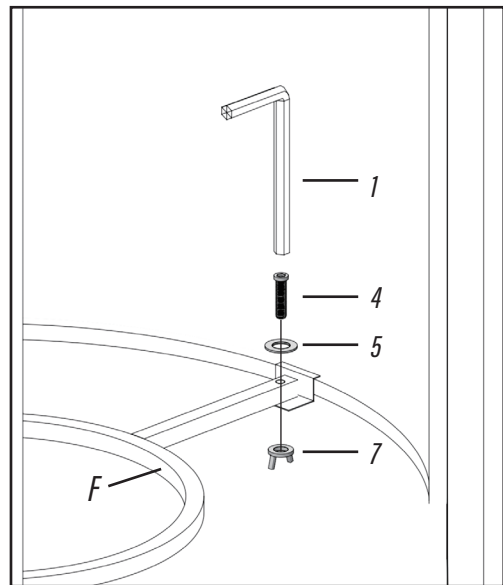
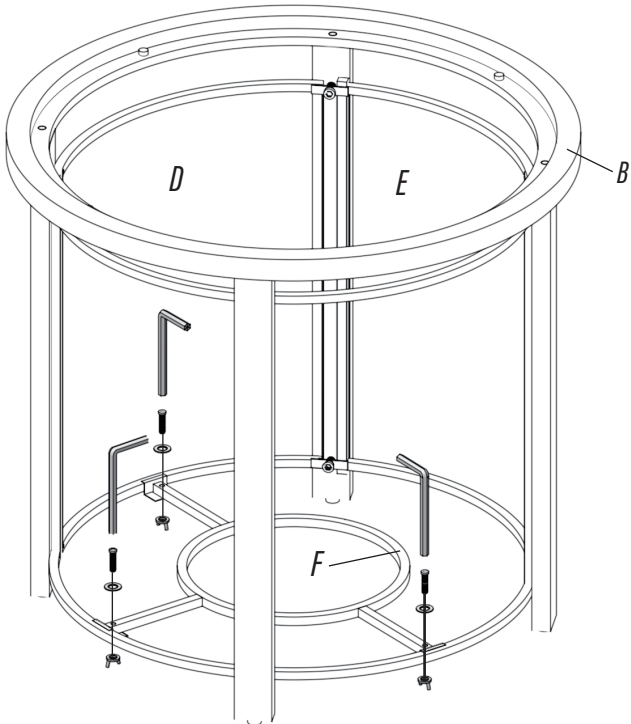


3

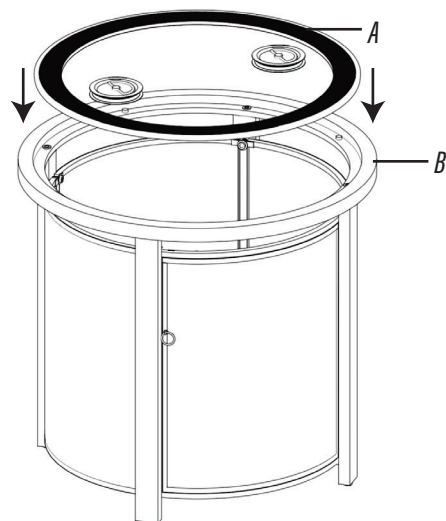


After the "D" and "E" are assembled, adjust their heights so they are parallel and tighten the screws.

4



5



6