

Soap & hand Sanitizer Dispenser 425-GRY, 425-WHI

Installation

1. Please choose a vertical, clean and smooth mounting surface.
2. Make sure there is enough room above dispenser to access cover lock key.
3. Unlock the front cover and take out the soap tank (Fig. 1).
4. Use the back plate for the drill marks and mark the 5 drill locations (Fig. 2).
5. Drill 5 holes at marked locations and insert 5 plastic anchors into drilled holes (Fig. 3).
6. Insert 4 screws into the 4 corner plastic anchors and leave 1/8" space from the wall under head for hanging dispenser (Fig. 4).
7. Hang the dispenser on the screws through the keyhole slots at back plate.
8. Insert anti theft screw (Fig. 5).
9. Replace the soap tank and fill it up.

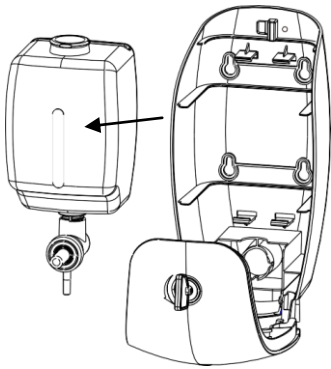


Figure 1

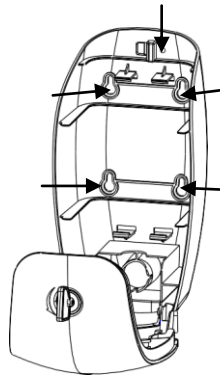


Figure 2

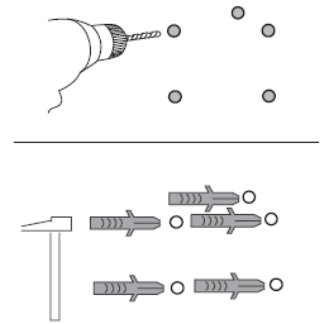


Figure 3

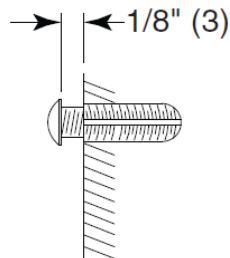


Figure 4

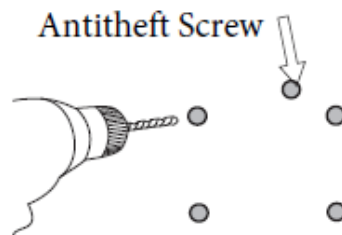


Figure 5

Operation

1. Please choose soap with the right viscosity level (see specifications)
2. Fill the soap into the tank please do not overfill.

Maintenance

1. Please clean the dispenser by dry towel only. Do not immerse the soap dispenser in water or clean it under running water.
2. Use only fresh new liquid and clean the soap container properly before each re-fill. Deposits of old soap will lead to malfunction and jamming
3. This is an indoor product do not expose under the sunlight.

Specifications

Soap Tank Capacity {fl. oz. (ml)}:	27 (800)
Applicable Viscosity Range	100 cps to 2000 cps.