

ASSEMBLY INSTRUCTIONS

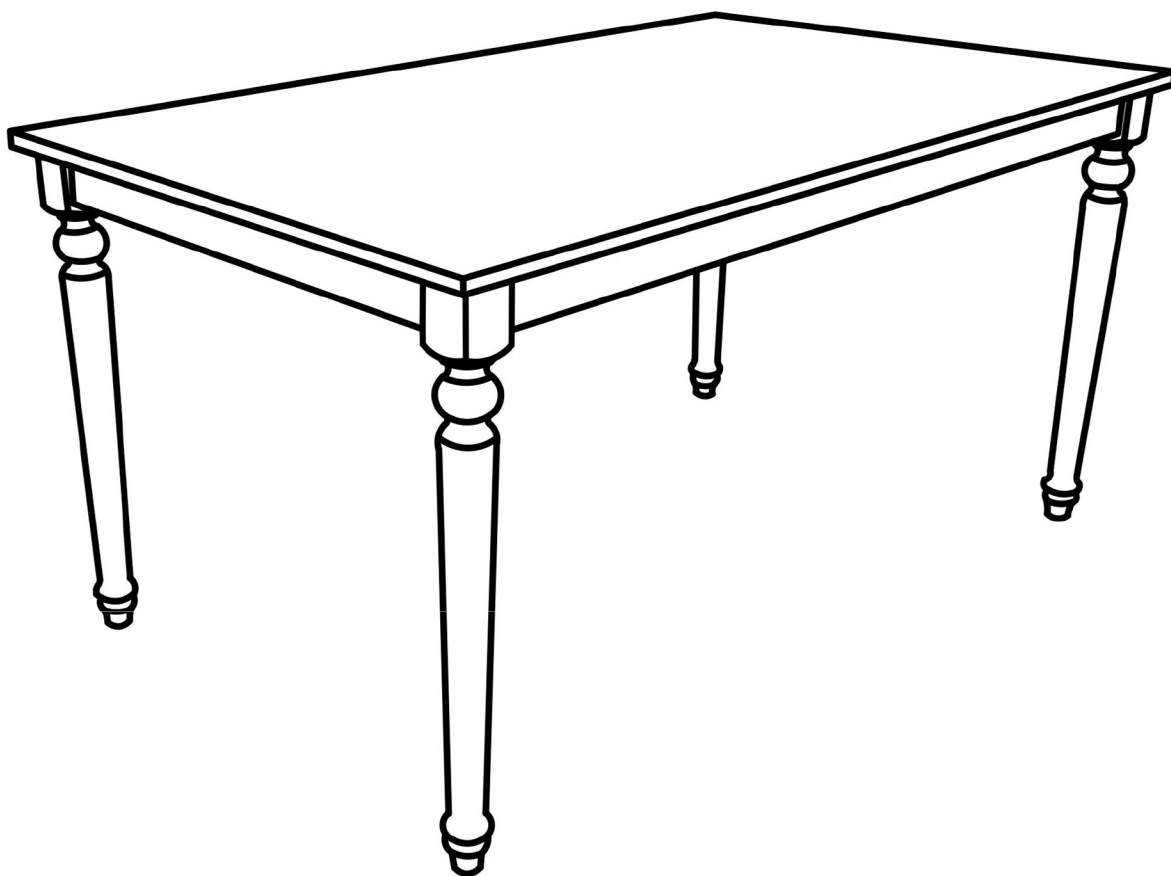
WF193091

IMPORTANT NOTE :

** PLACE ALL PARTS ON A CLEAN AND SMOOTH SURFACE SUCH AS A RUG OR CARPET TO AVOID THE PARTS FROM BEING SCRATCHED.

** BEFORE YOU BEGIN, KINDLY FOLLOW THE ASSEMBLY INSTRUCTIONS STEP BY STEP.

**DO NOT TIGHTEN ALL SCREWS AND BOLTS UNTIL THE TABLE IS FULLY SET-UP.

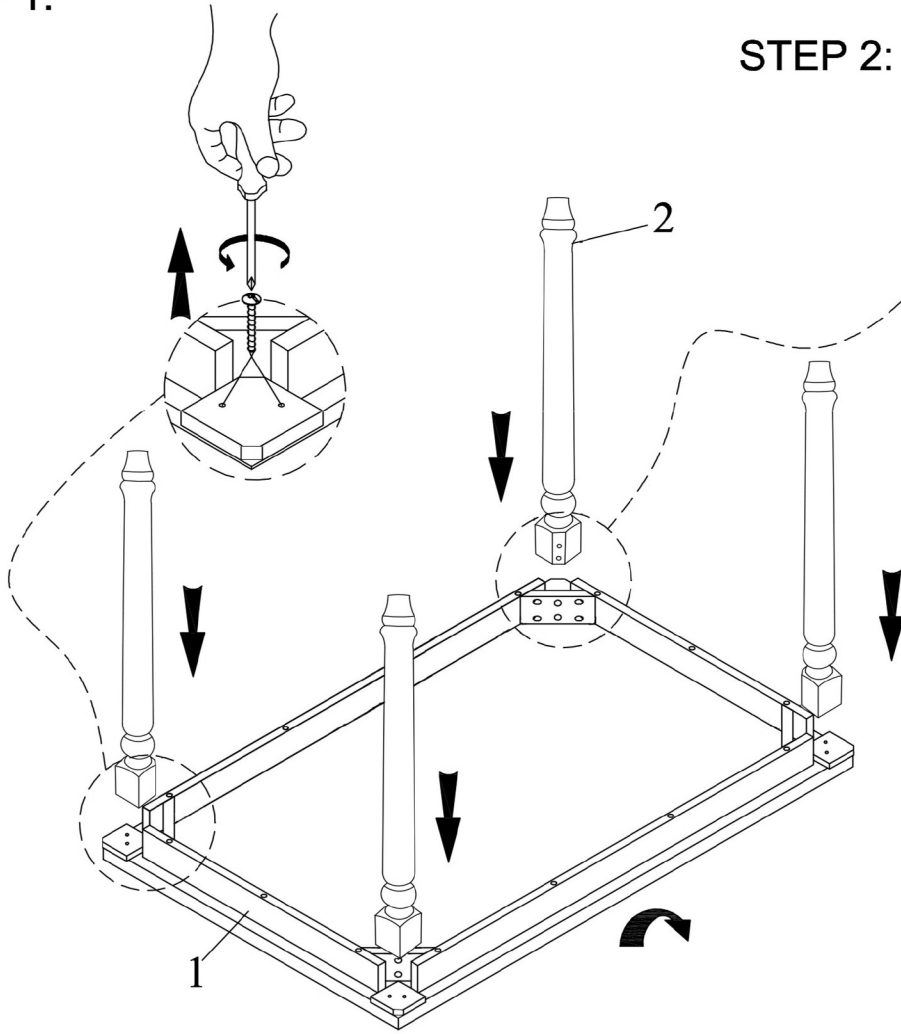


CARTONS ONLY ONE/ CARTONS SEULEMENT UN

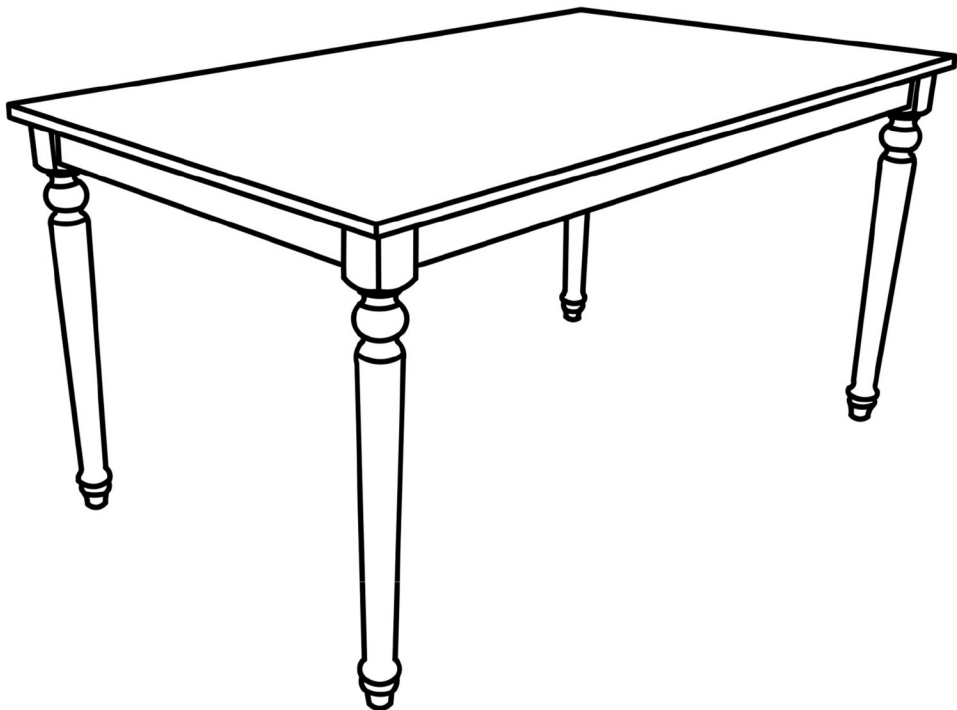
PART LISTS				HARDWARE LISTS			
NO.	DESCRIPTION	SKETCH	Q'TY	NO.	DESCRIPTION	SKETCH	Q'TY
1	TABLE TOP		1 PC	A	JCBC M8 x 60 MM		8PCS
2	LEGS		4 PCS	B	SPRING WASHER M8 x 13 x 1.5MM		8PCS
				C	FLAT WASHER 5/16"x22x1.0MM		8PCS
				D	ALLEN KEY		1PC

ASSEMBLY INSTRUCTIONS

STEP 1:



STEP 3:



ASSEMBLY INSTRUCTIONS

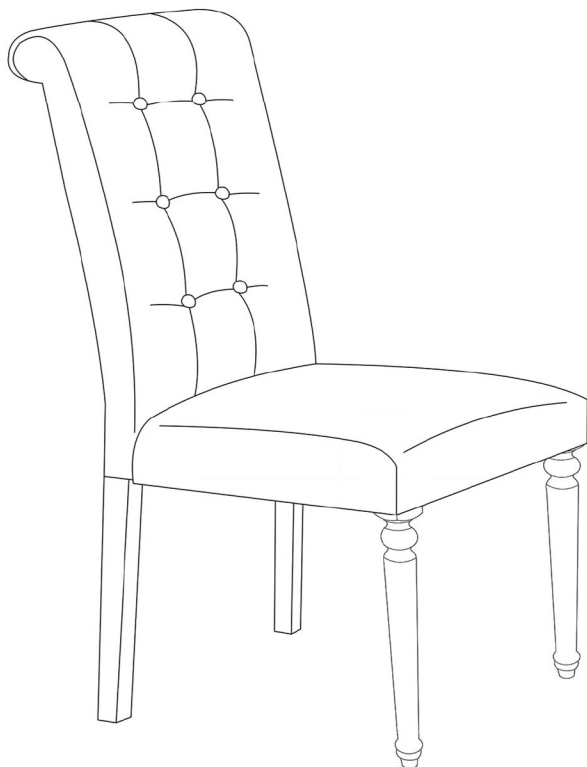
WF193092

IMPORTANT NOTE :

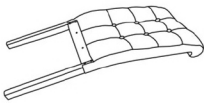
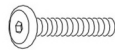


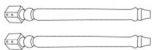
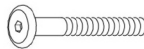



** PLACE ALL PARTS ON A CLEAN AND SMOOTH SURFACE SUCH AS A RUG OR CARPET TO AVOID THE PARTS FROM BEING SCRATCHED.

** BEFORE YOU BEGIN, KINDLY FOLLOW THE ASSEMBLY INSTRUCTIONS STEP BY STEP.

**DO NOT TIGHTEN ALL SCREWS AND BOLTS UNTIL THE CHAIR IS FULLY SET-UP.



CARTONS ONLY ONE/ CARTONS SEULEMENT UN

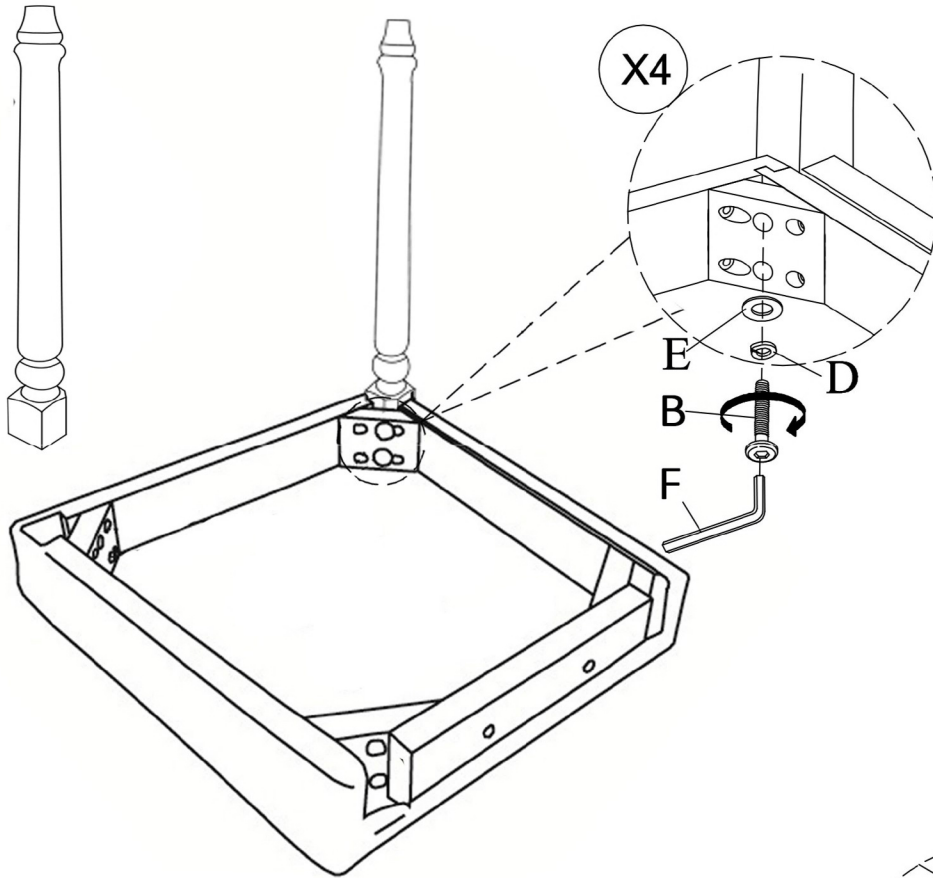
PART LISTS				HARDWARE LISTS			
NO.	DESCRIPTION	SKETCH	Q'TY	NO.	DESCRIPTION	SKETCH	Q'TY
1	CHAIR BACK		4 PCS	A	JCBC M6 x 45 MM		8 PCS
2	SEAT		4 PCS	B	JCBC M6 x 50 MM		16 PCS
3	FRONT LEG		4L,4R	C	JCBC M6 x 80 MM		16 PCS
				D	SPRING WASHER		40PCS
				E	FLAT WASHER		40PCS
				F	ALLEN KEY		1PC



Not Included

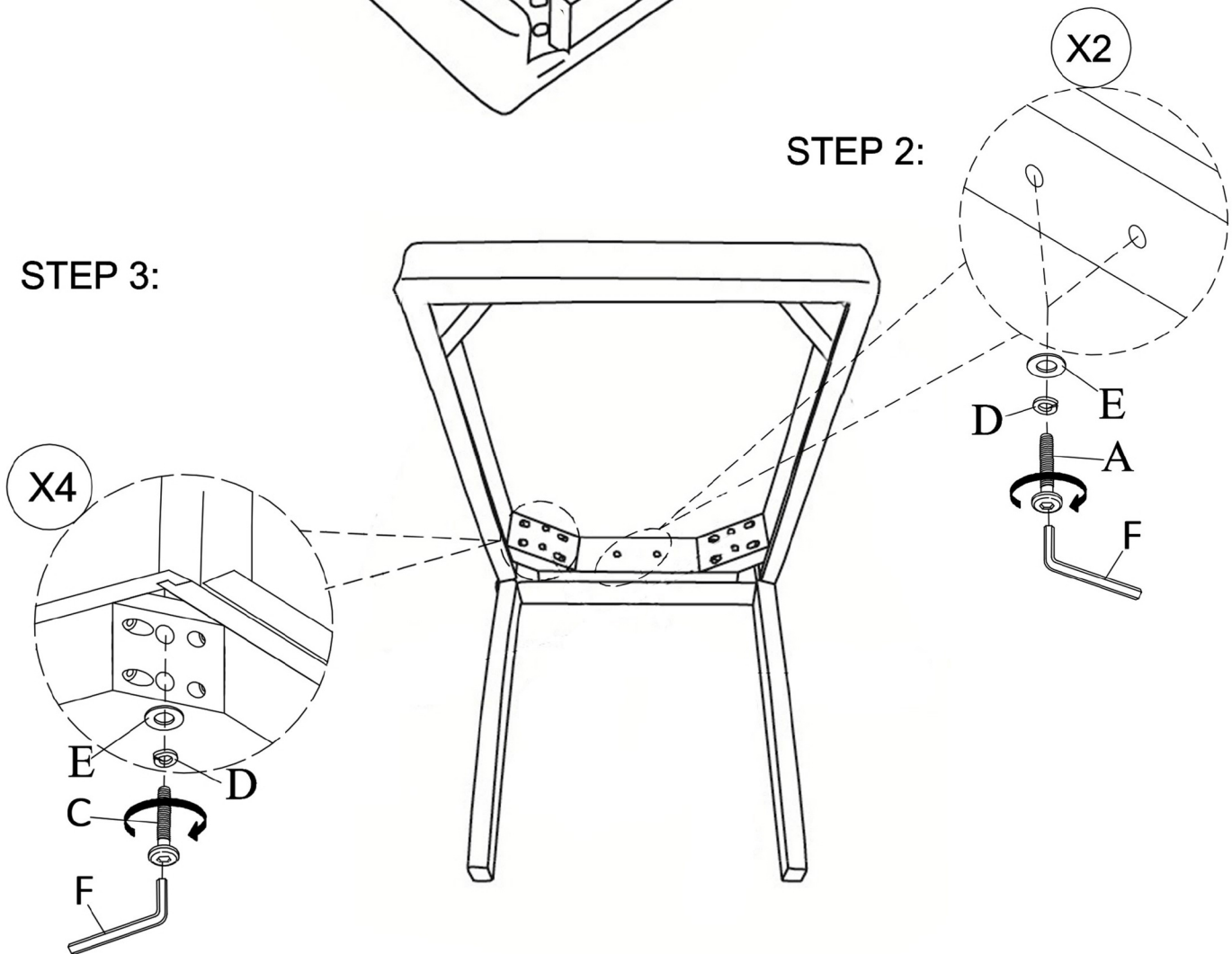
ASSEMBLY INSTRUCTIONS

STEP 1:



STEP 2:

STEP 3:



ASSEMBLY INSTRUCTIONS

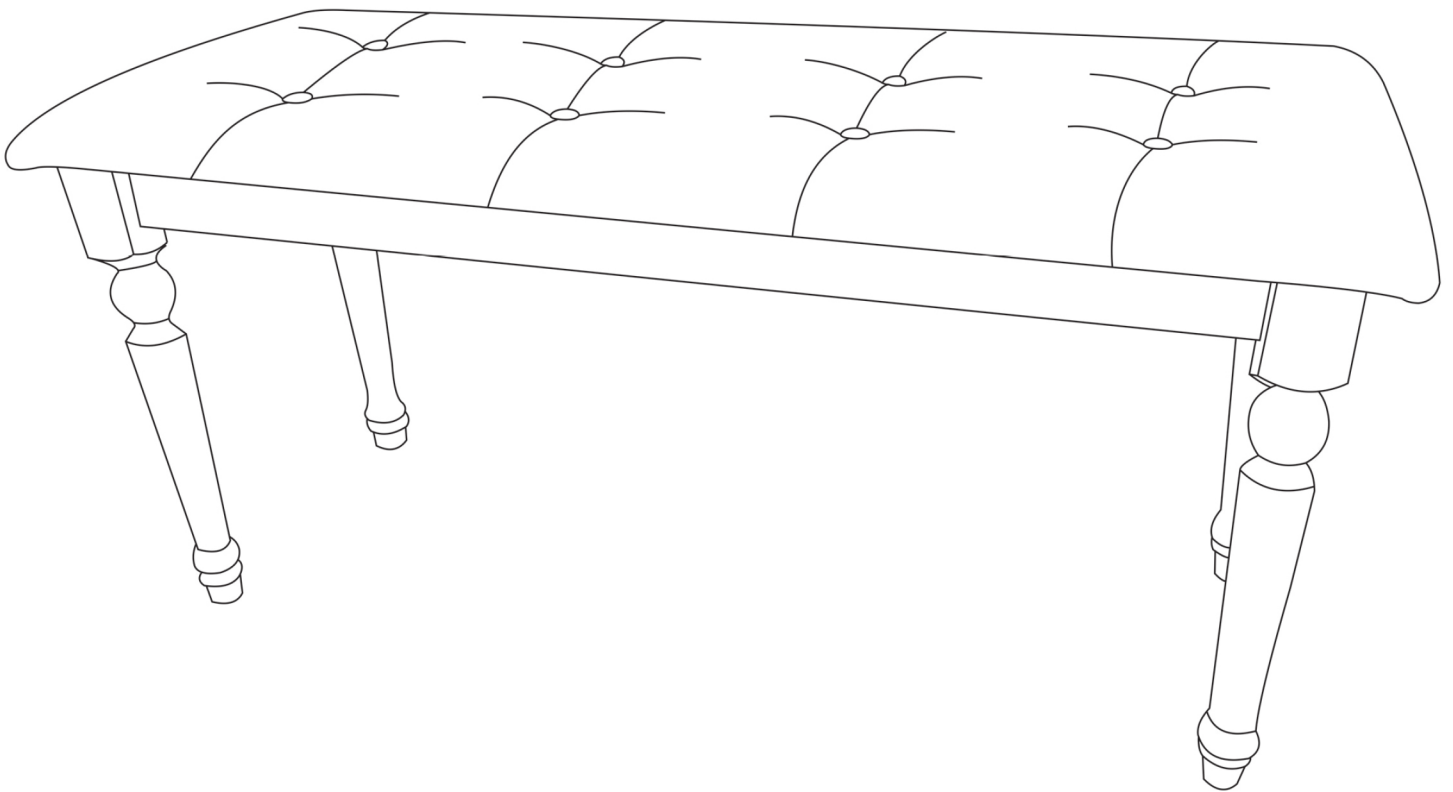
WF196204AAE

IMPORTANT NOTE :

** PLACE ALL PARTS ON A CLEAN AND SMOOTH SURFACE SUCH AS A RUG OR CARPET TO AVOID THE PARTS FROM BEING SCRATCHED.



** BEFORE YOU BEGIN, KINDLY FOLLOW THE ASSEMBLY INSTRUCTIONS STEP BY STEP.

**DO NOT TIGHTEN ALL SCREWS AND BOLTS UNTIL THE CHAIR IS FULLY SET-UP.



CARTONS ONLY ONE/ CARTONS SEULEMENT UN

PART LISTS

NO.	DESCRIPTION	SKETCH	Q'TY
1	SEAT		1 PC
2	LEG		4 PCS

HARDWARE LISTS

NO.	DESCRIPTION	SKETCH	Q'TY
A	JCBC M6 x 70 MM		8 PCS
B	SPRING WASHER		8 PCS
C	FLAT WASHER		8 PCS
D	ALLEN KEY		1PC



Not Included

ASSEMBLY INSTRUCTIONS

STEP 1:

