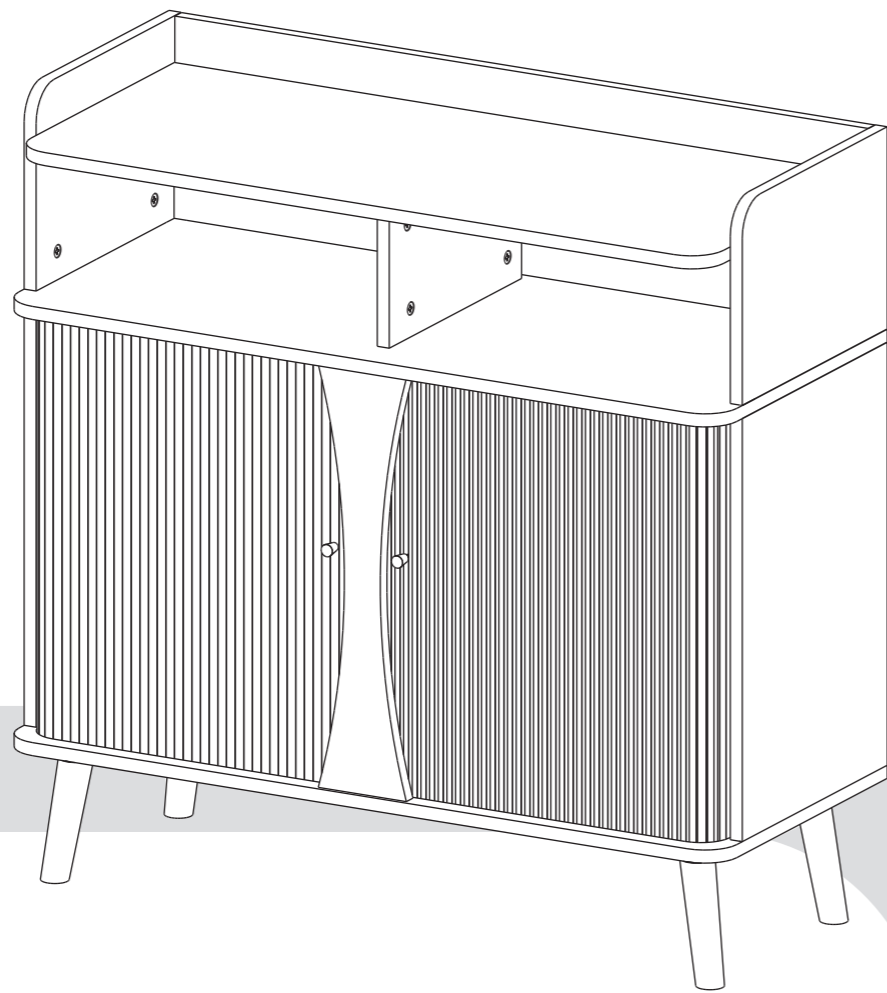


# Makeup Vanity Desk

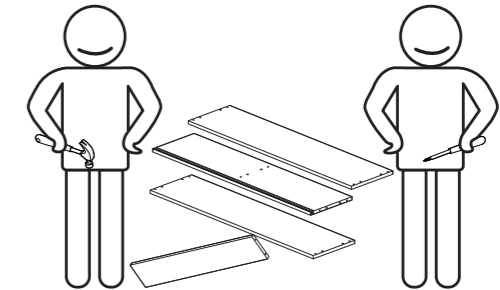
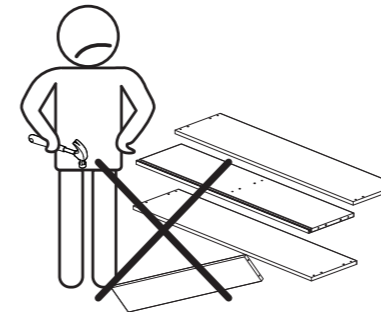
## ASSEMBLY INSTRUCTIONS



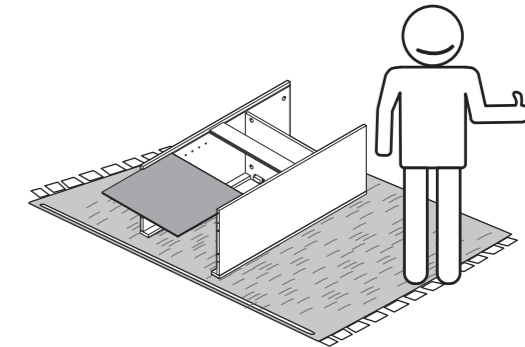
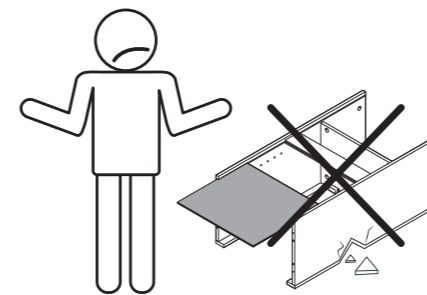
### **WARNING**

Children have died from furniture tip-over. To reduce the risk of furniture tip-over:

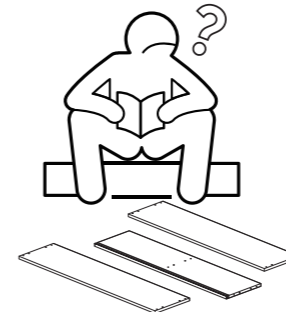
- ALWAYS install tip-over restraint provided.
- NEVER put a TV on this product.
- NEVER allow children to stand, climb or hang on drawers, doors, or shelves.
- NEVER open more than one drawer at a time.
- Place heaviest items in the lowest drawer.



**We recommend at least 2 people for the assembly.**



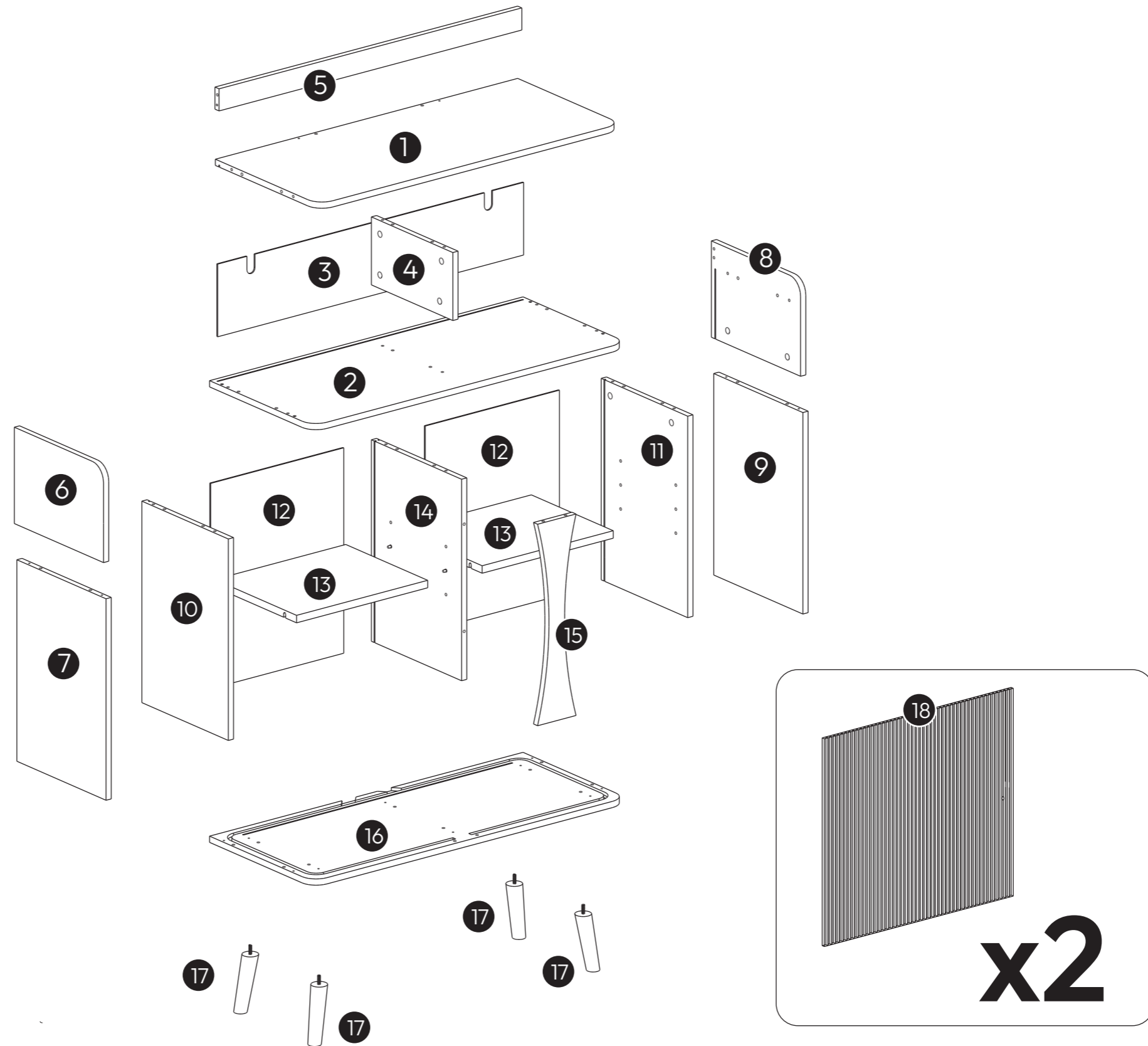
**To prevent any damage during assembly, place a mat under the pieces.**



**Any questions concerning assembly, contact us**

# PARTS DIAGRAM

Check if all parts and hardwares are included. Contact us if there is any part missing or damaged.

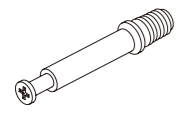


# HARDWARES

# SPARE PARTS



The spare parts are the additional parts provided in case of missing or damaged ones. Keep the spare parts and tools for future use.



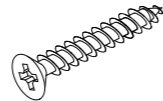
Ø6x35mm  
**A x 22**



Ø15x10mm  
**B x 22**



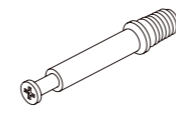
Ø6x30mm  
**C x 40**



Ø4x35mm  
**D x 18**



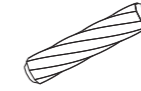
Ø4x10mm  
**E x 2**



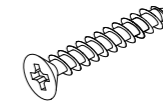
Ø6x35mm  
**A x 2**



Ø15x10mm  
**B x 2**



Ø6x30mm  
**C x 4**



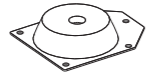
Ø4x35mm  
**D x 1**



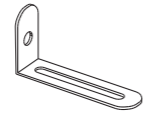
Ø4x14mm  
**F x 2**



Ø4x14mm  
**F x 22**



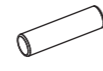
**G x 4**



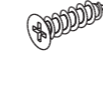
**H x 2**



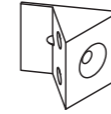
**I x 2**



Ø5x25mm  
**J x 8**



Ø3x14mm  
**M x 1**



**N x 1**



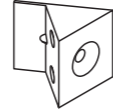
**K x 2**



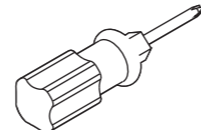
**L x 8**



Ø3x14mm  
**M x 12**



**N x 12**

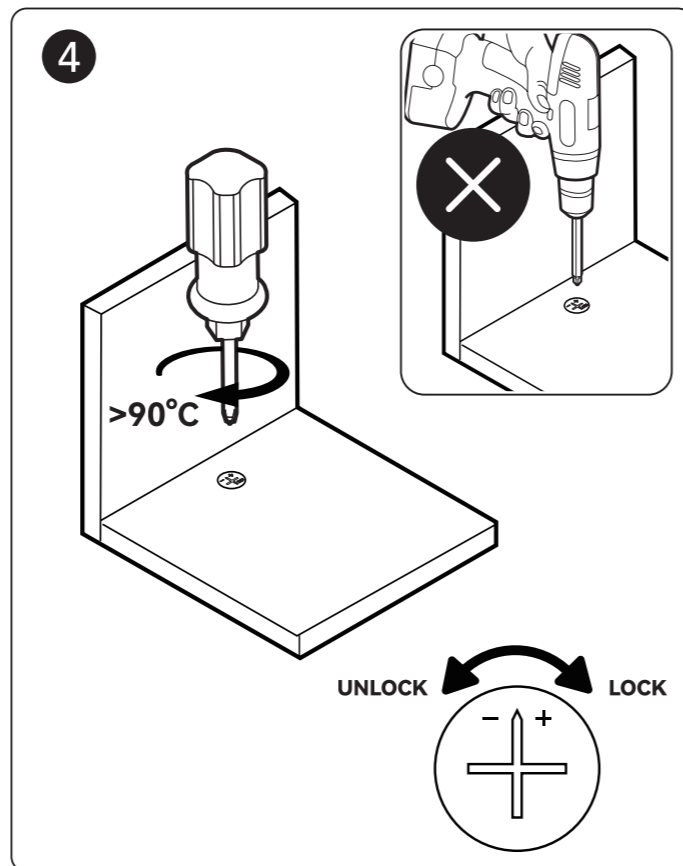
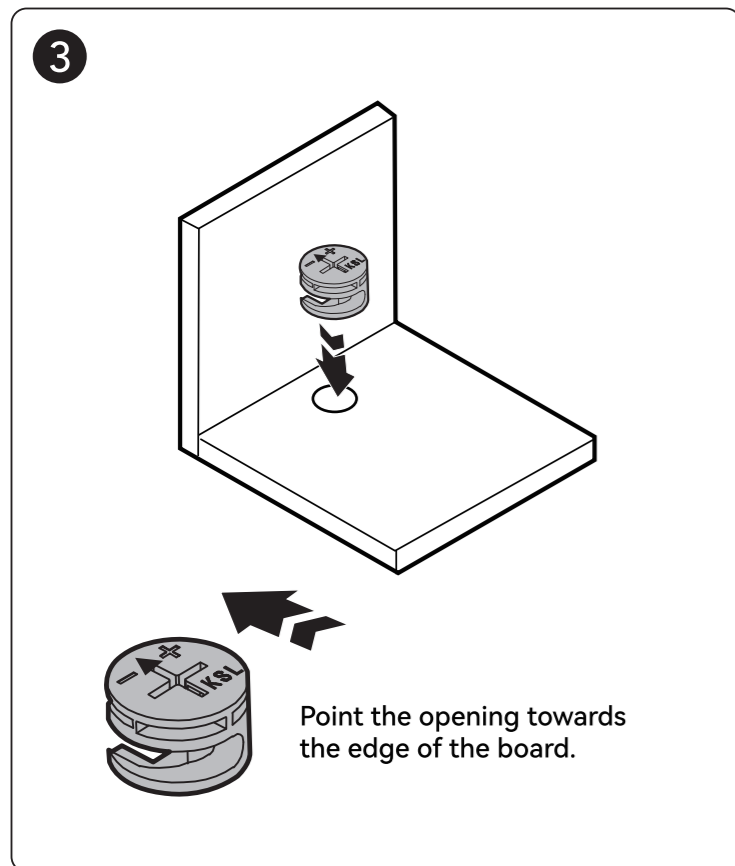
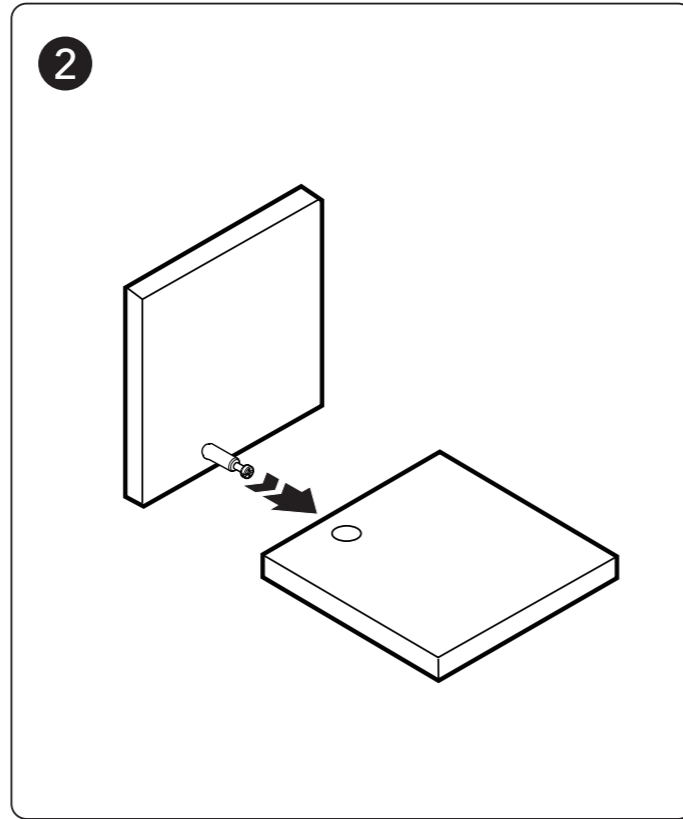
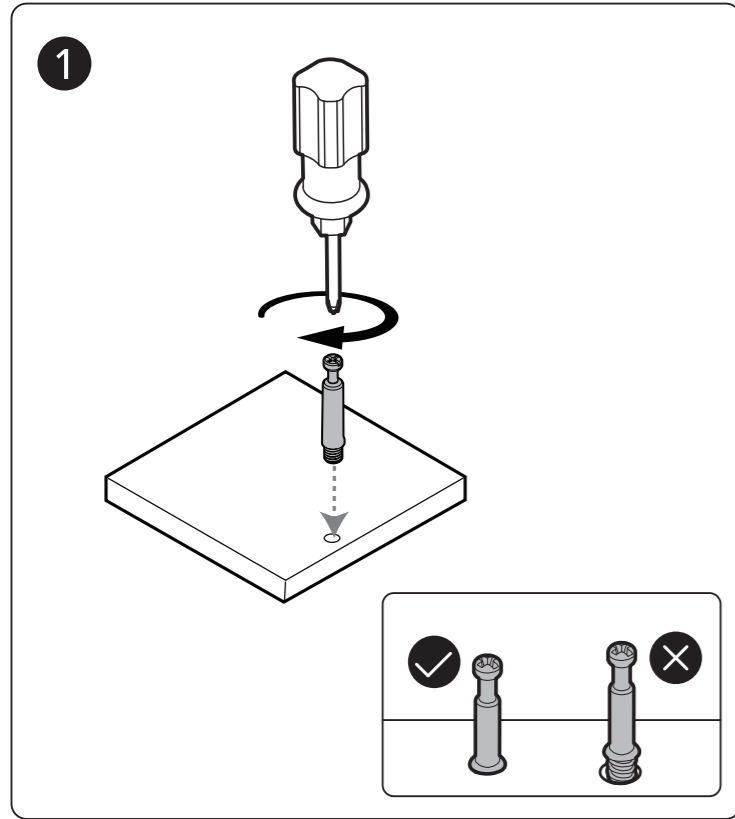


# CAM LOCK FASTEN SYSTEM

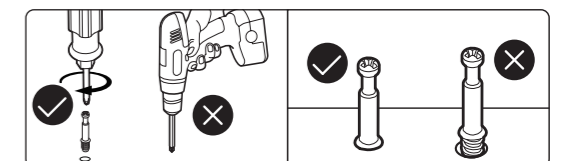
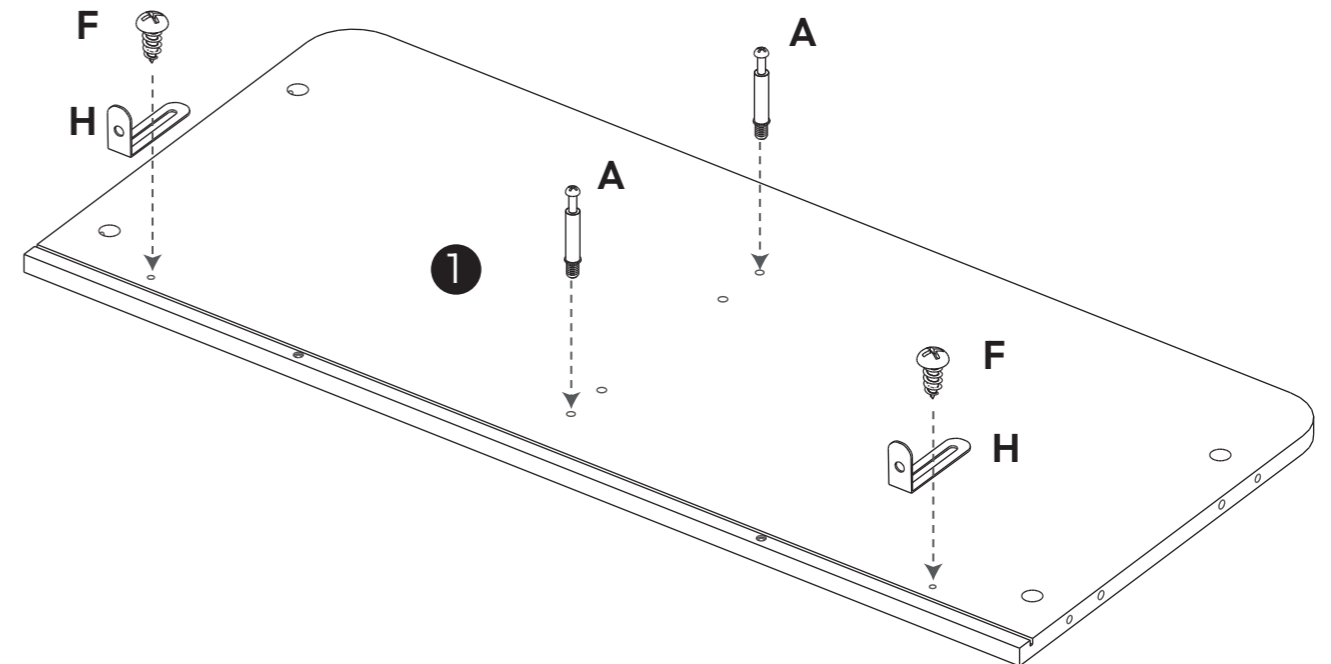
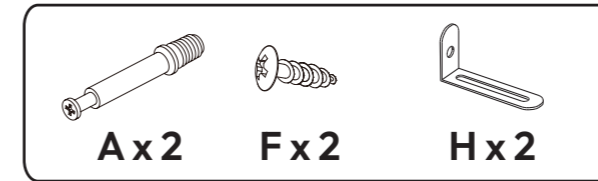
# ASSEMBLY



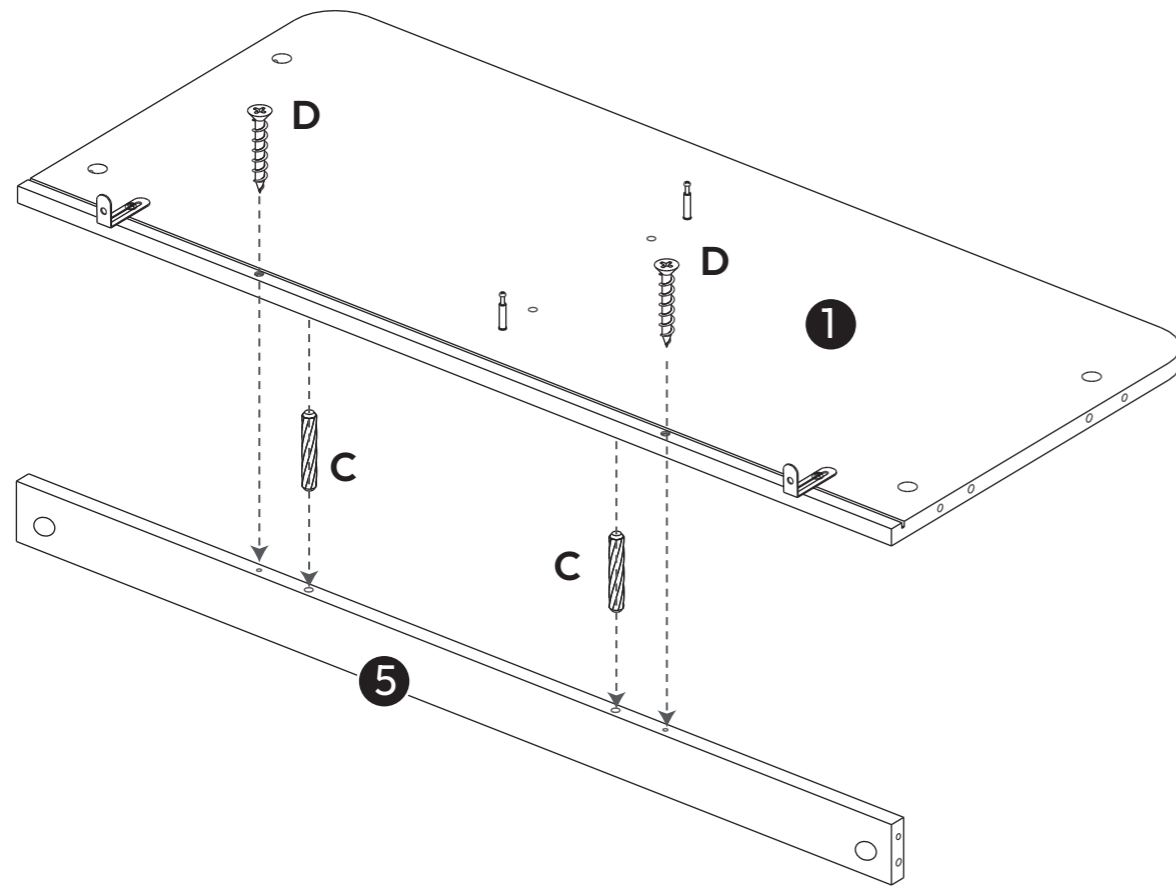
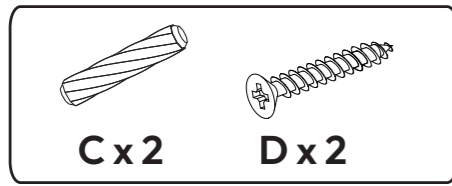
Insert the cam bolt into the hole, then insert the cam lock and tighten.



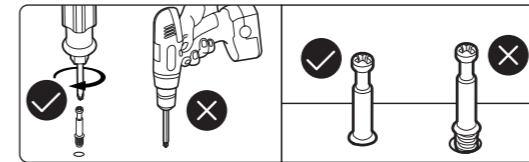
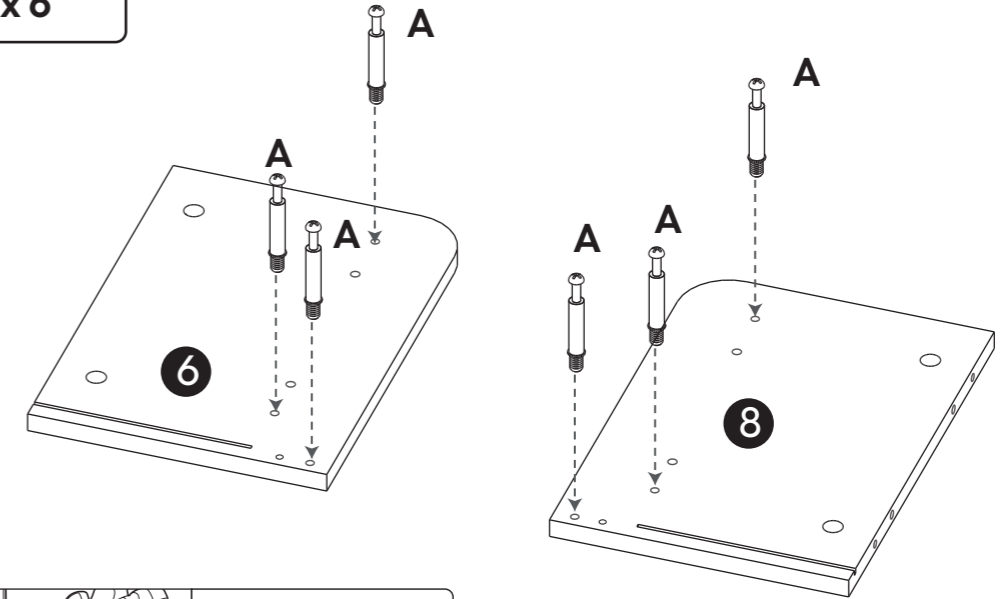
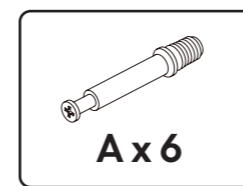
**1**



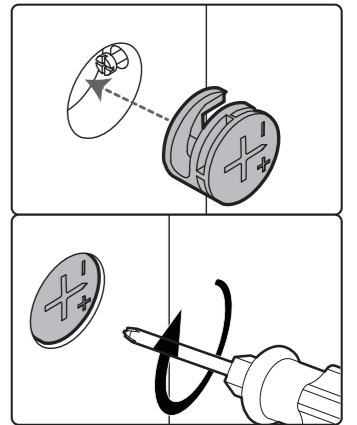
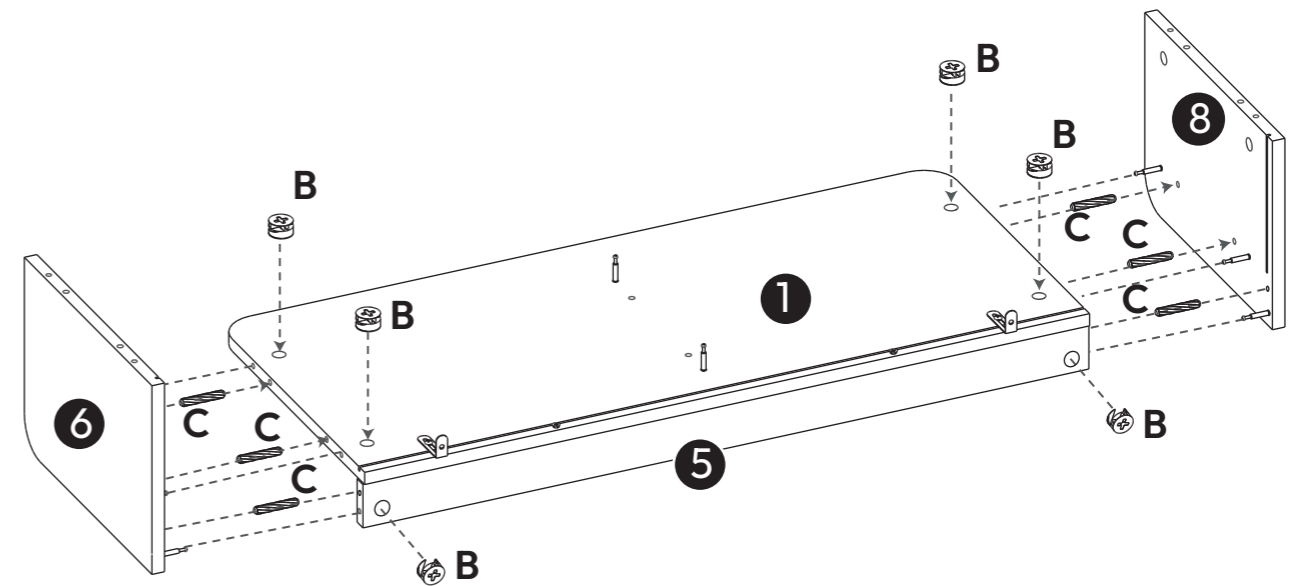
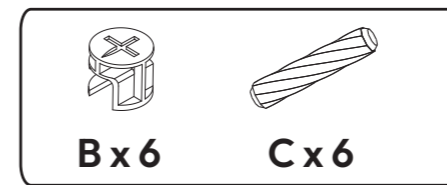
# 2



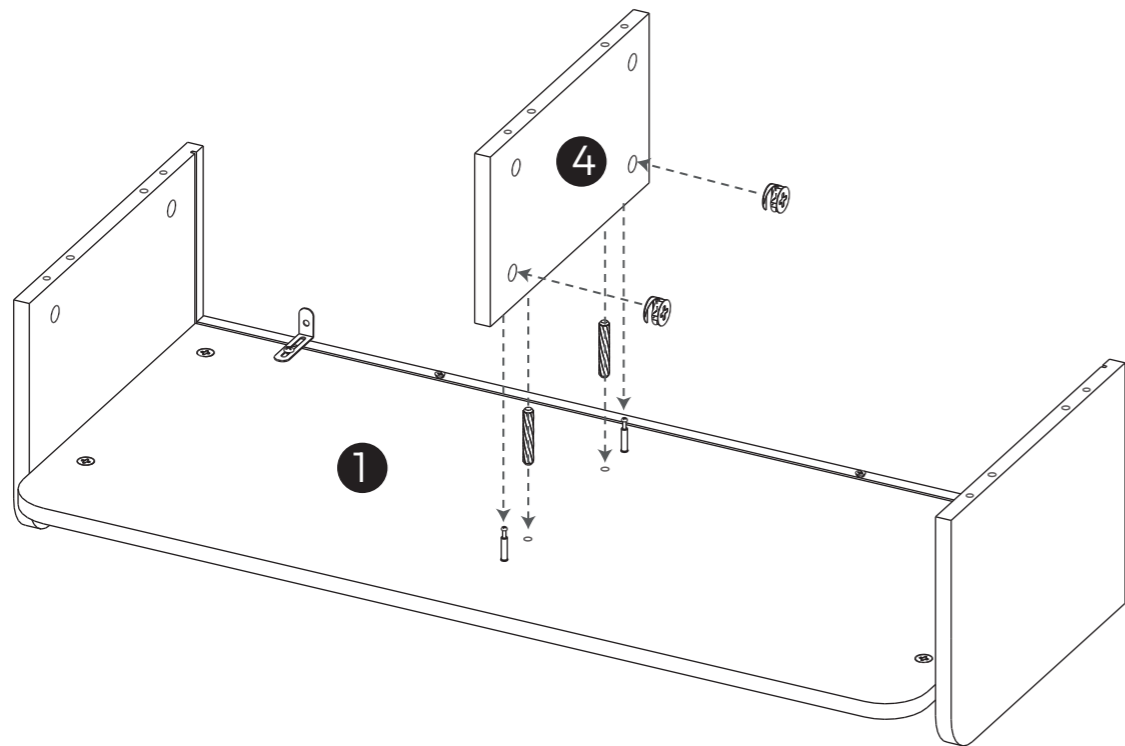
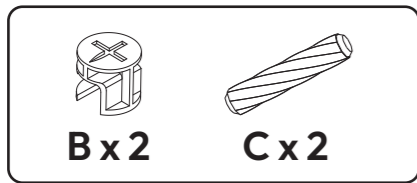
# 3



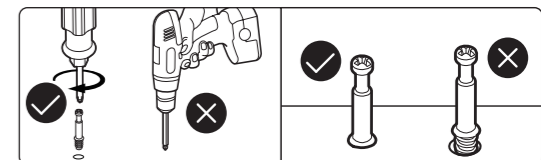
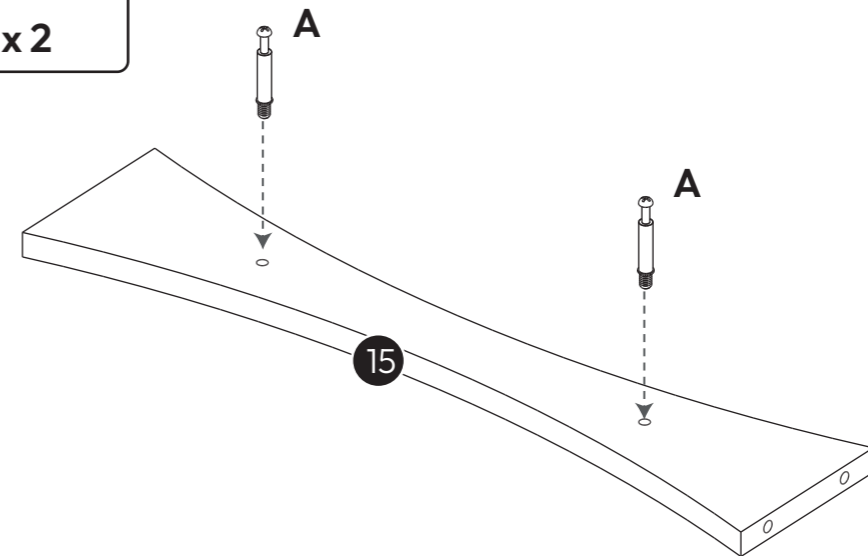
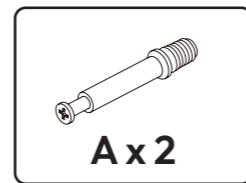
# 4



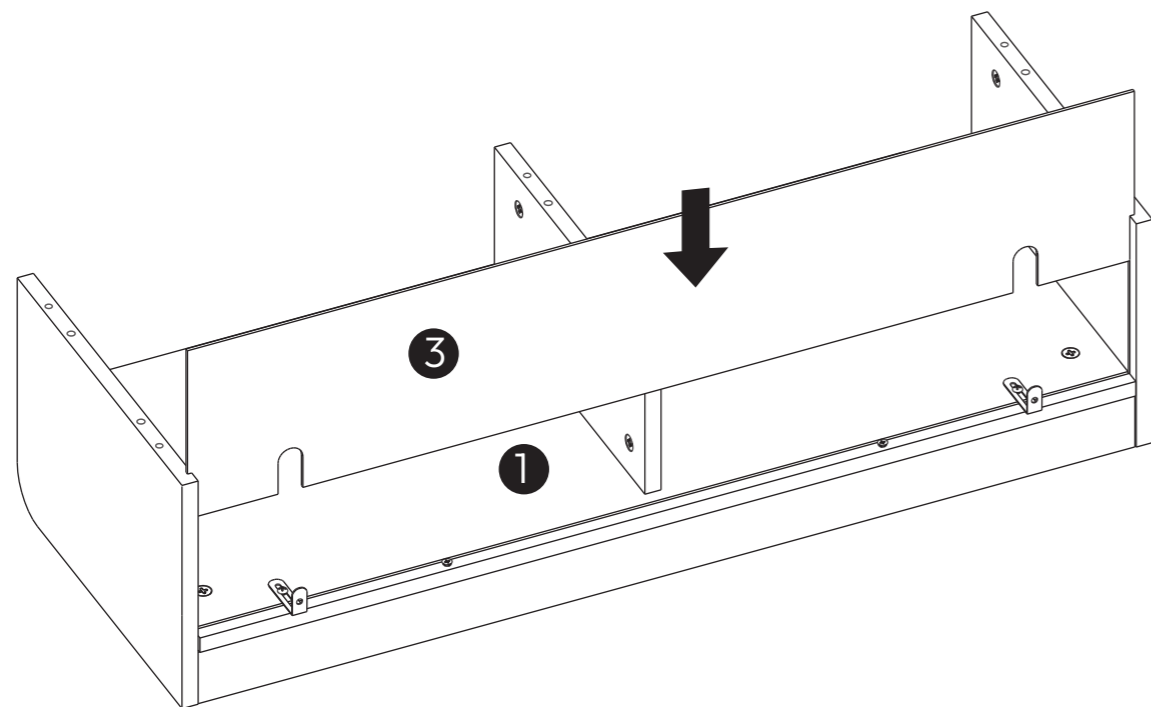
# 5



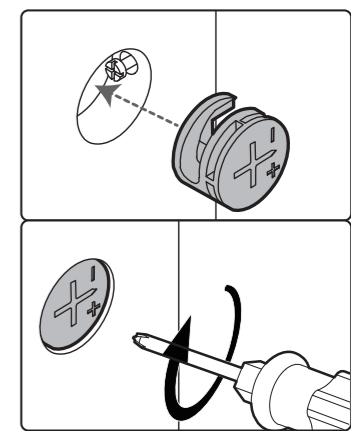
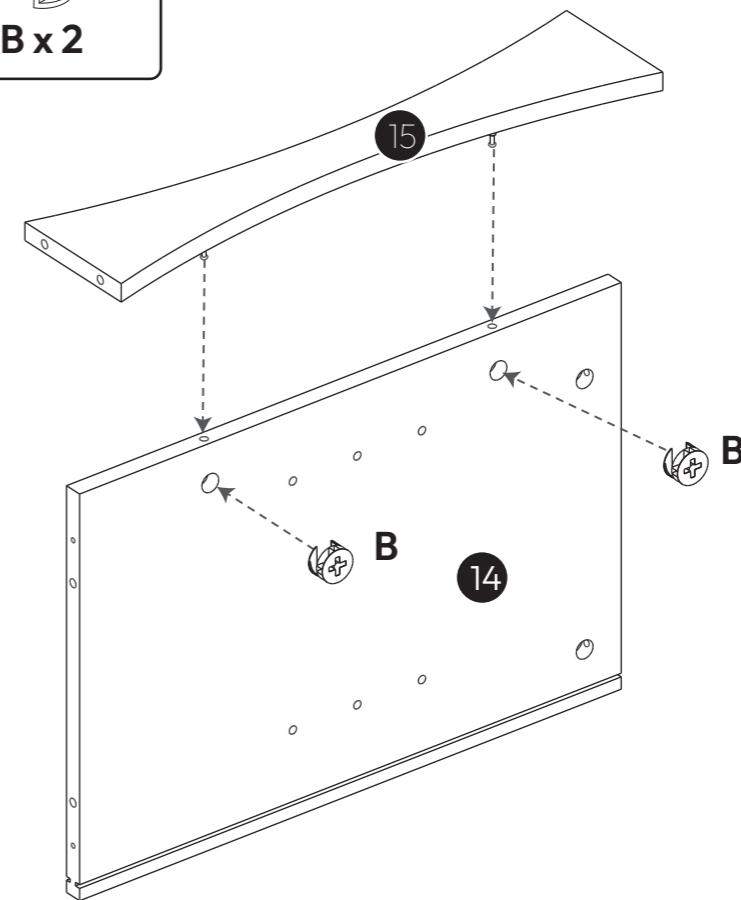
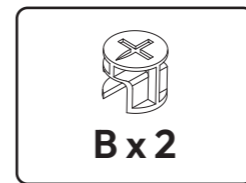
# 7



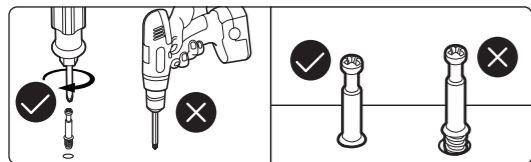
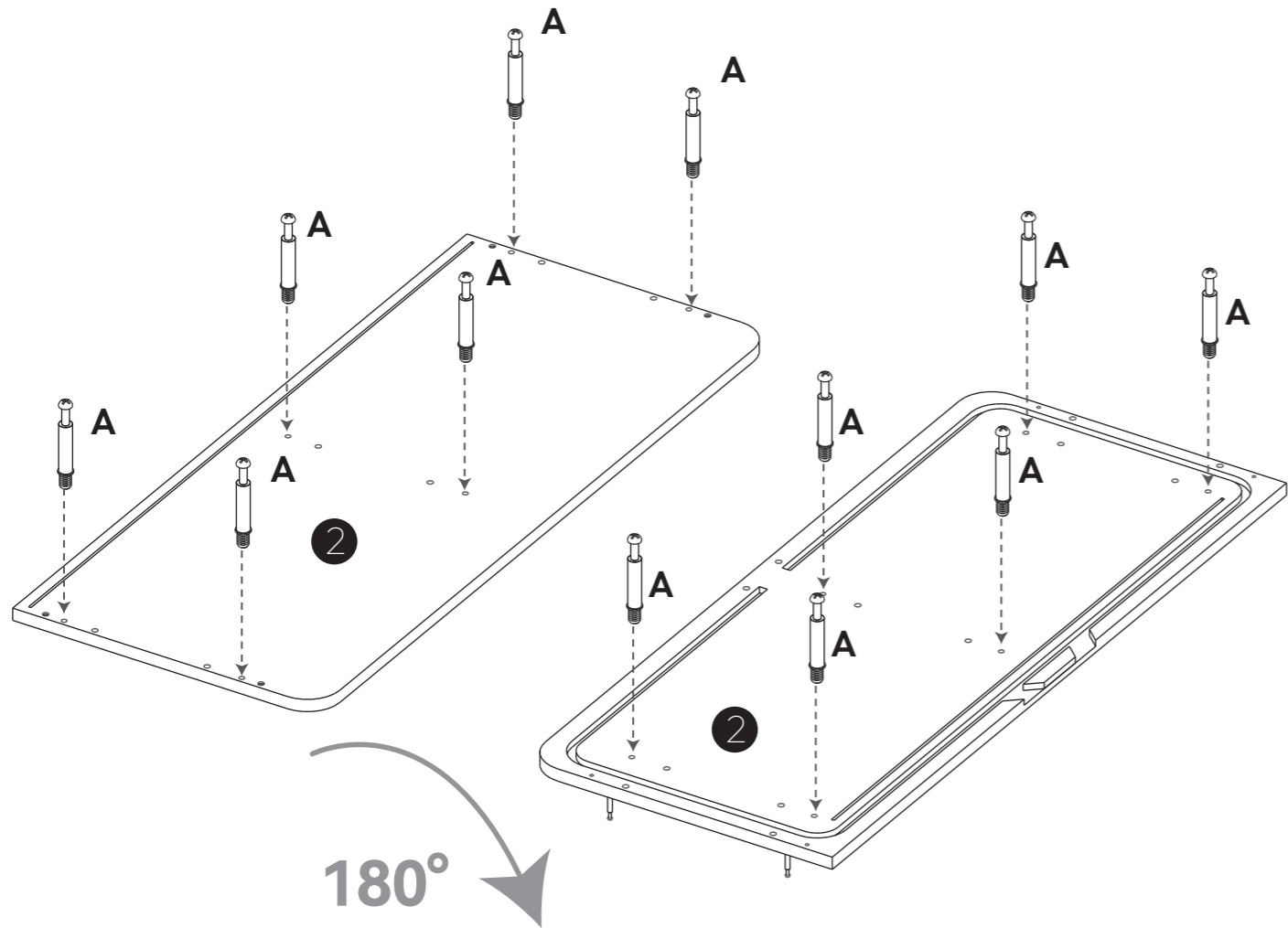
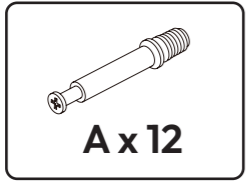
# 6



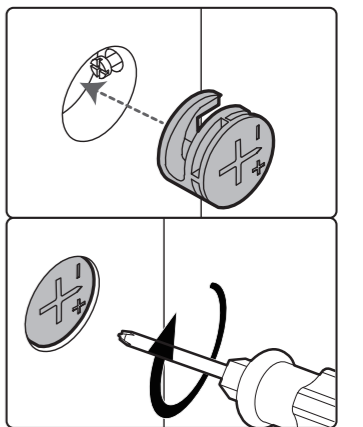
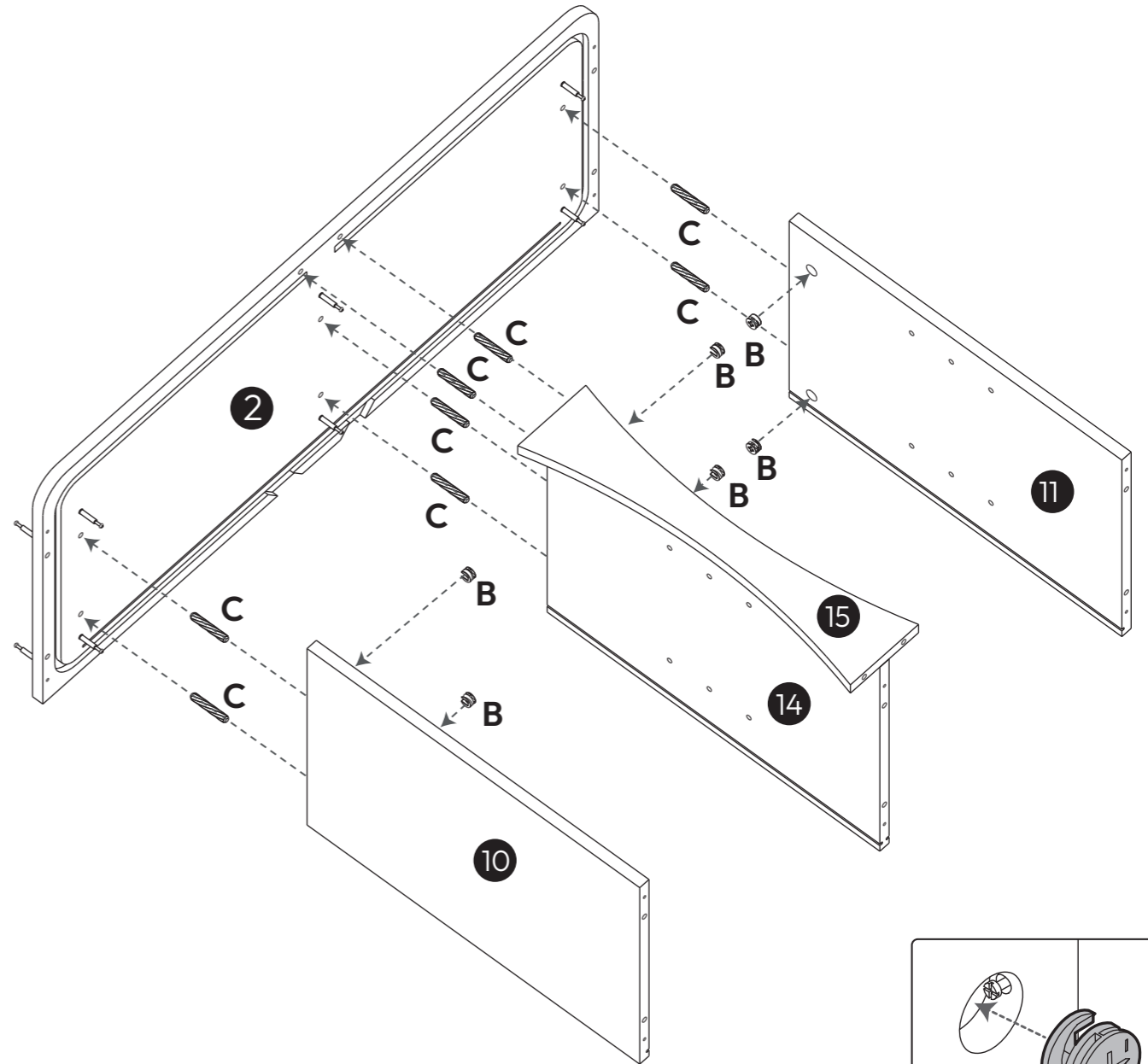
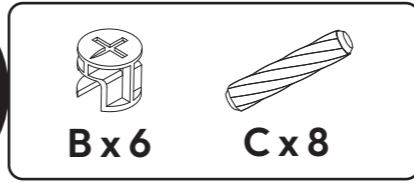
# 8



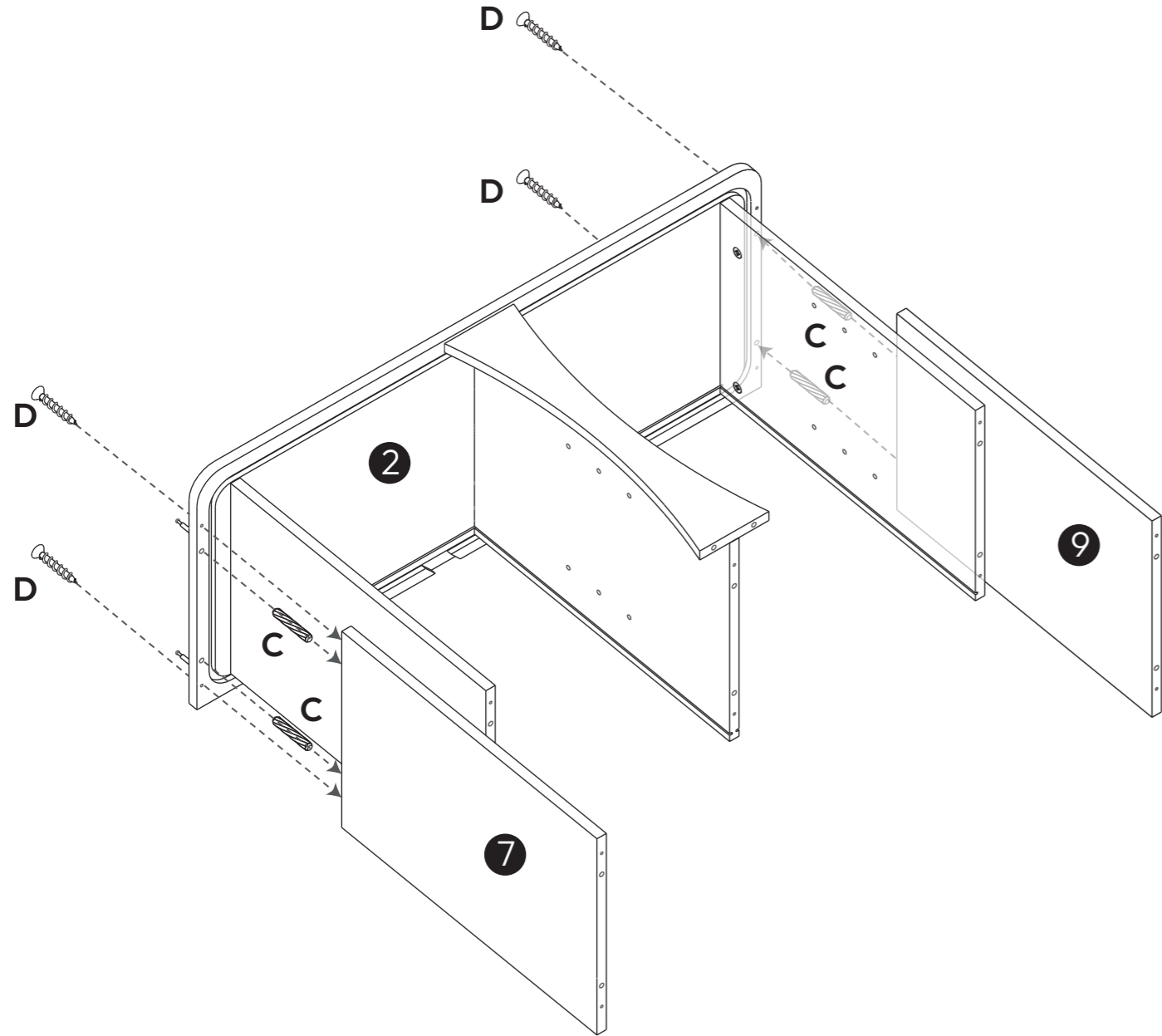
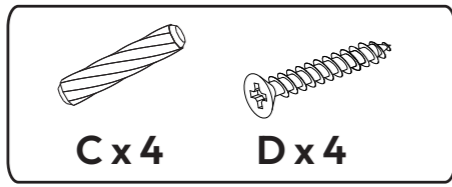
# 9



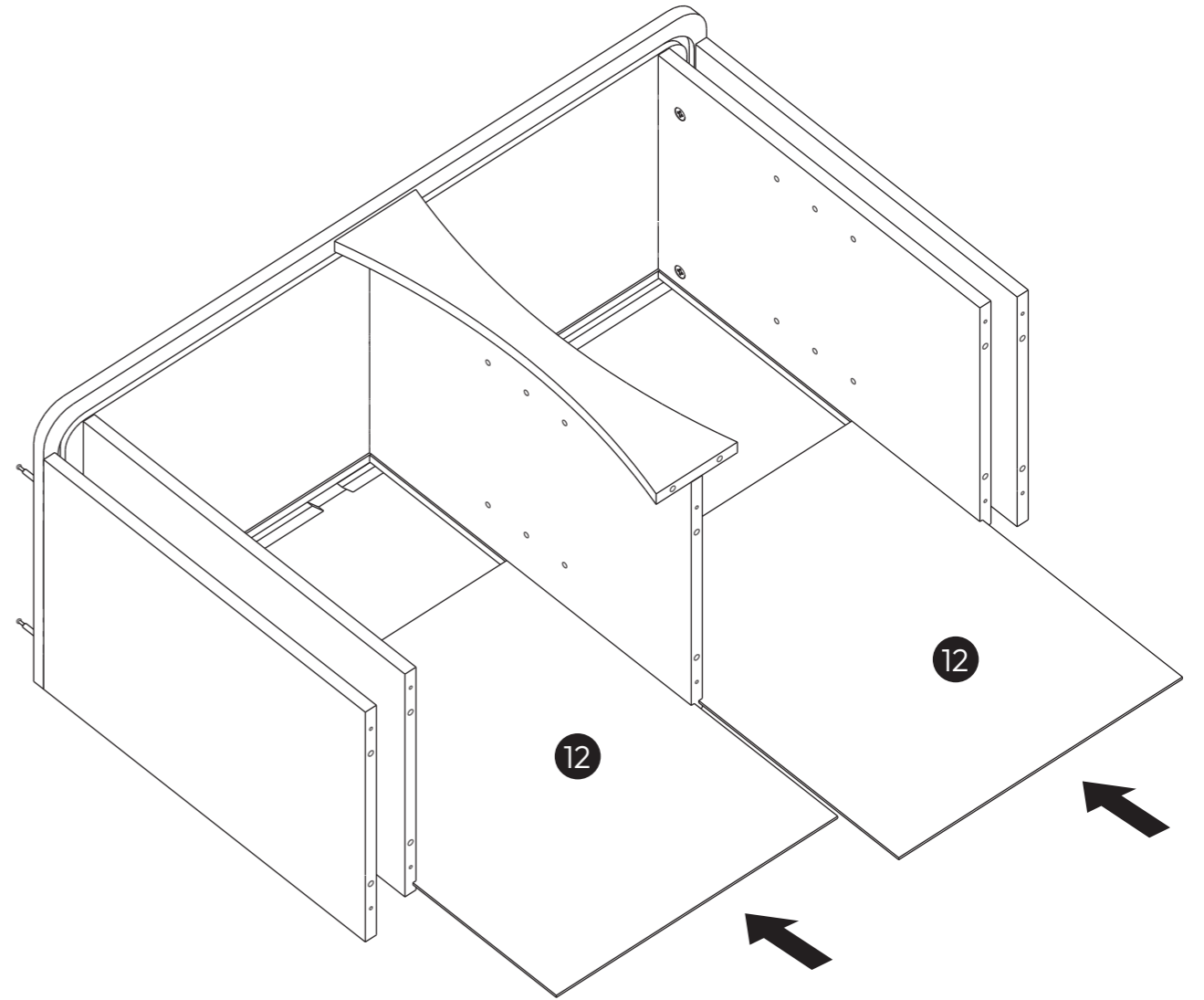
# 10



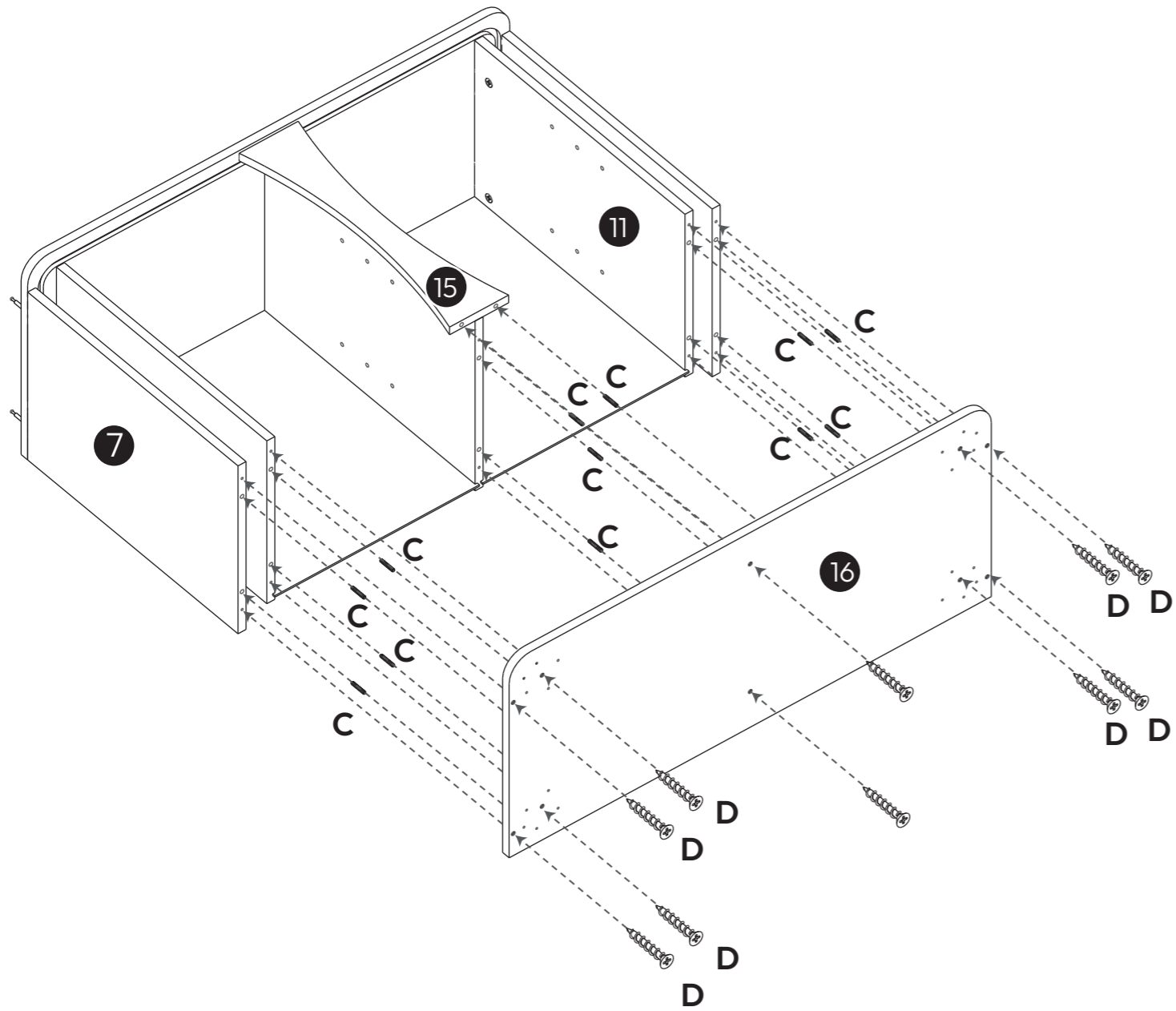
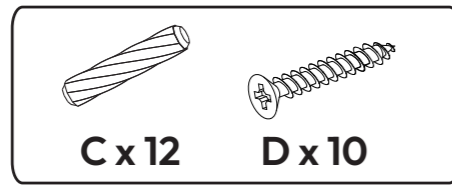
# 11



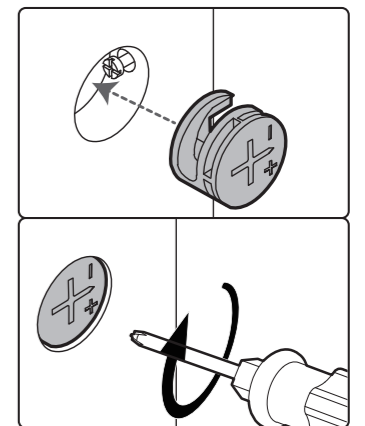
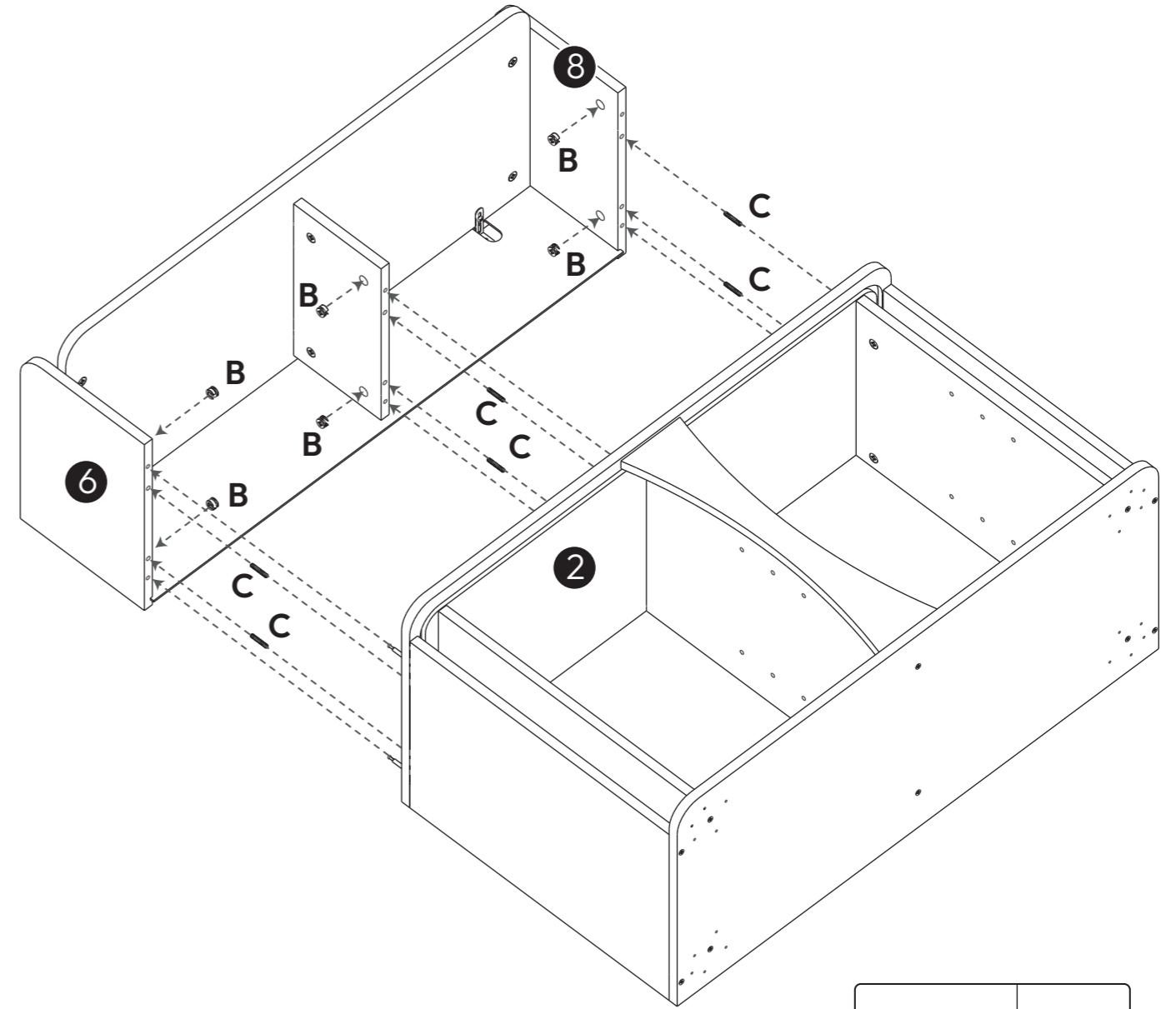
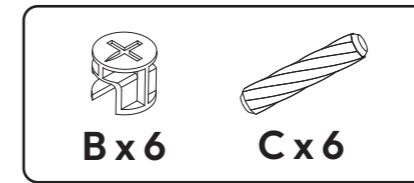
# 12



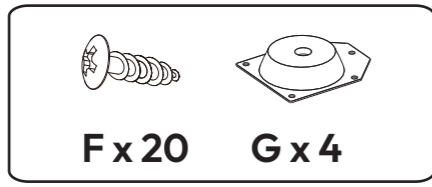
# 13



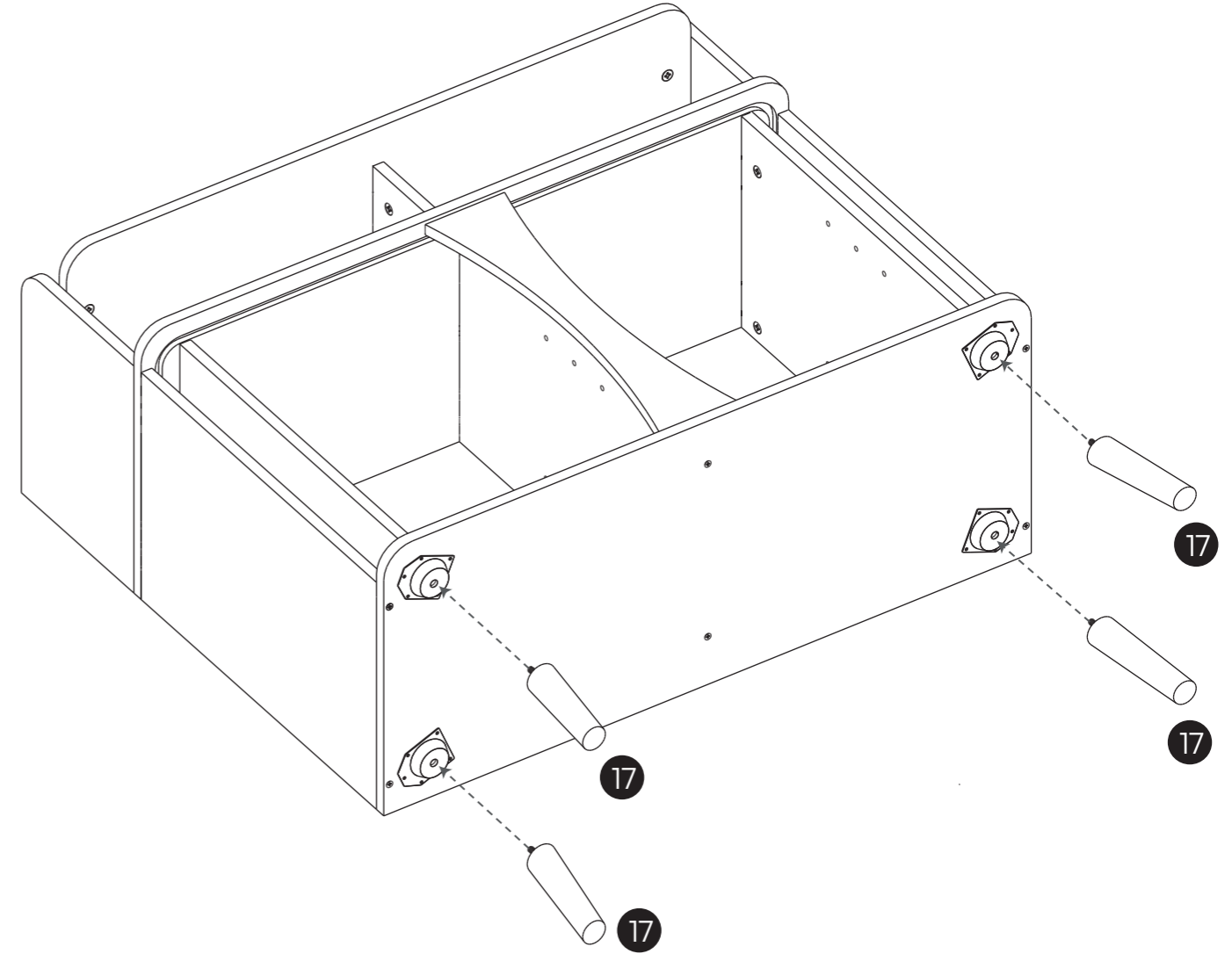
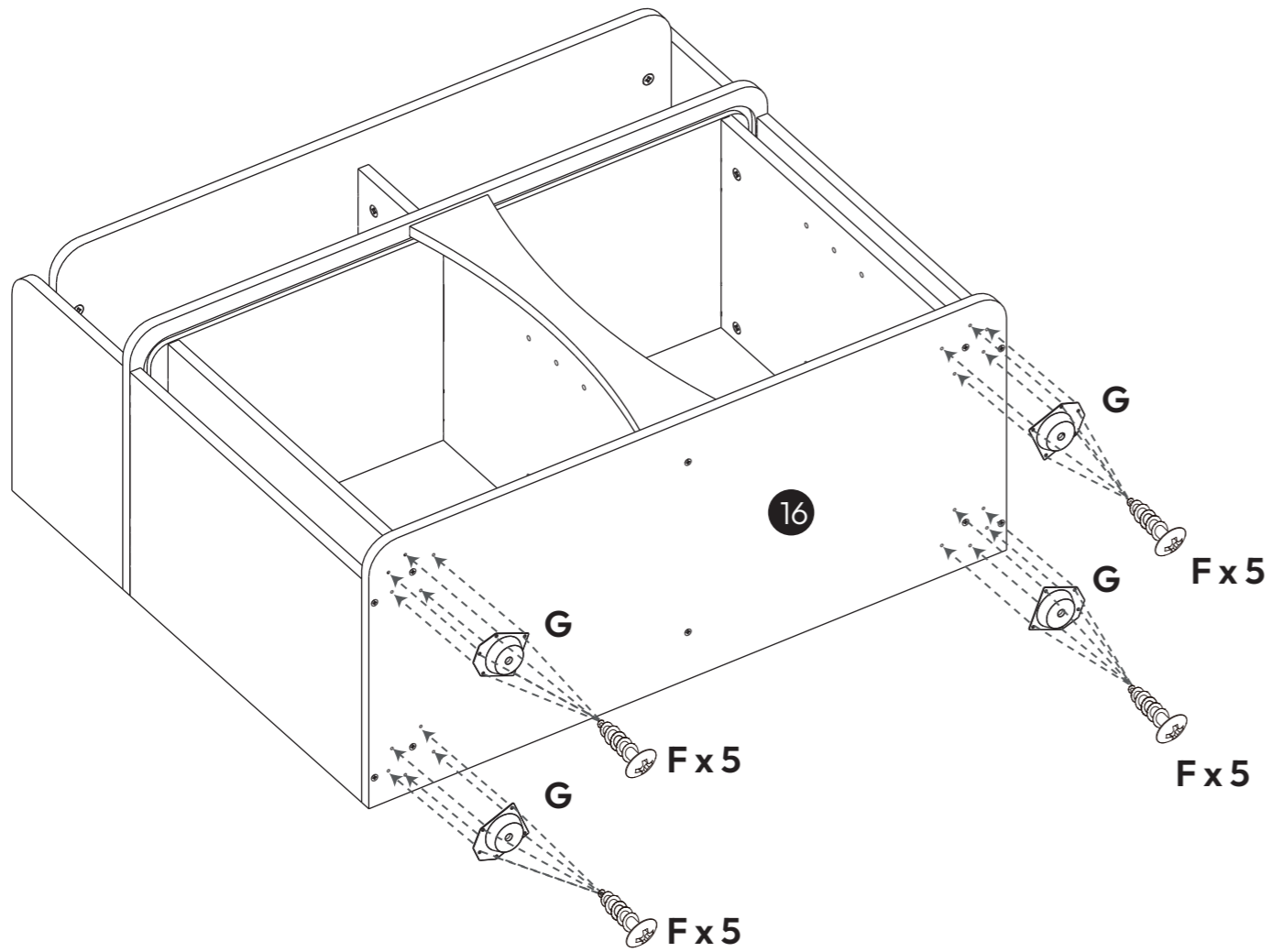
# 14



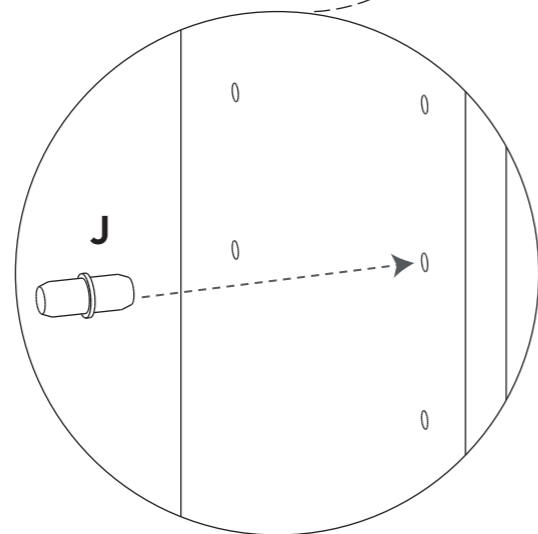
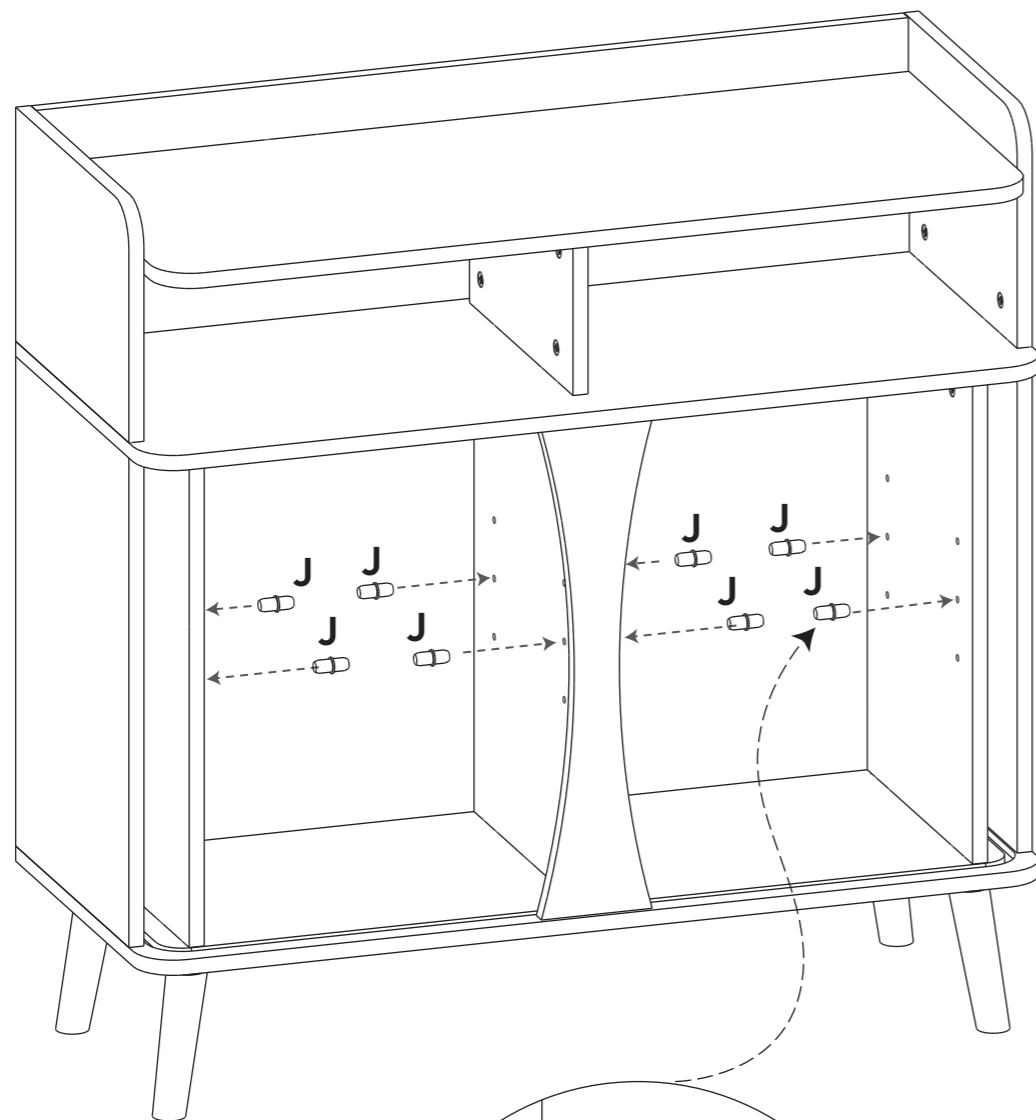
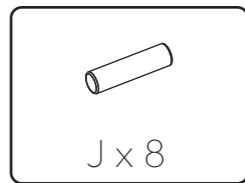
# 15



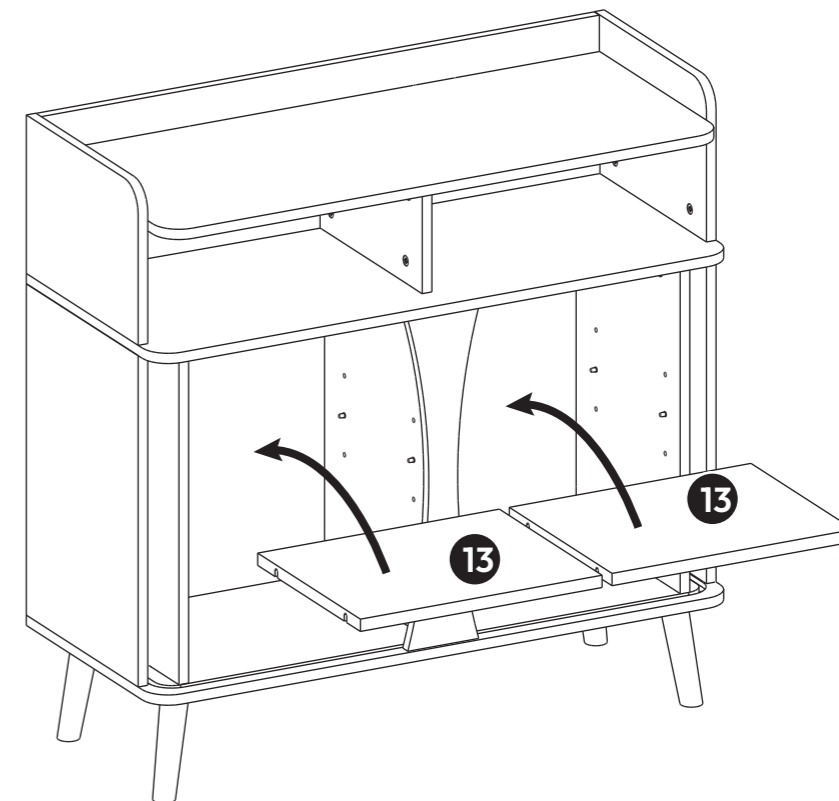
# 16



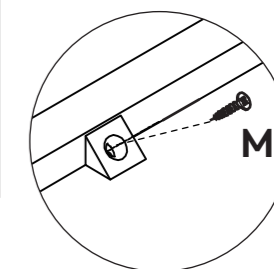
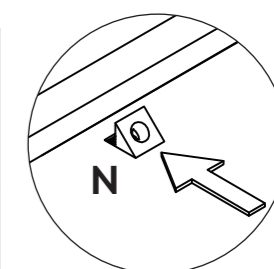
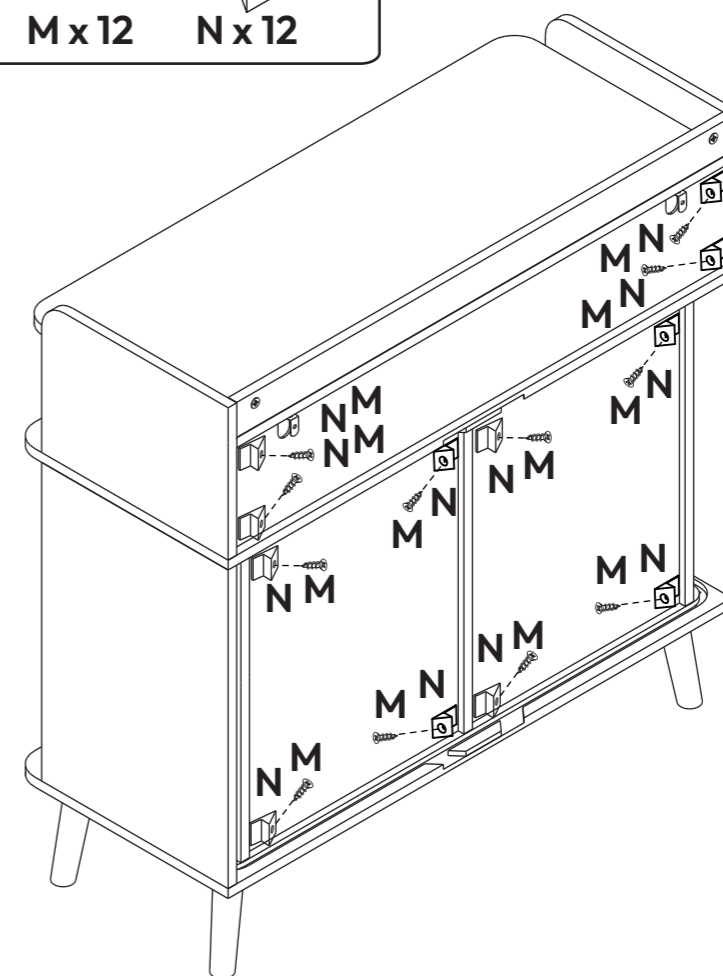
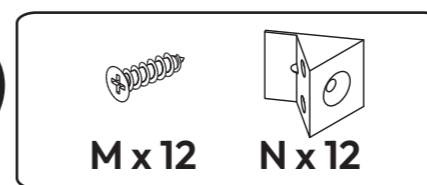
# 17



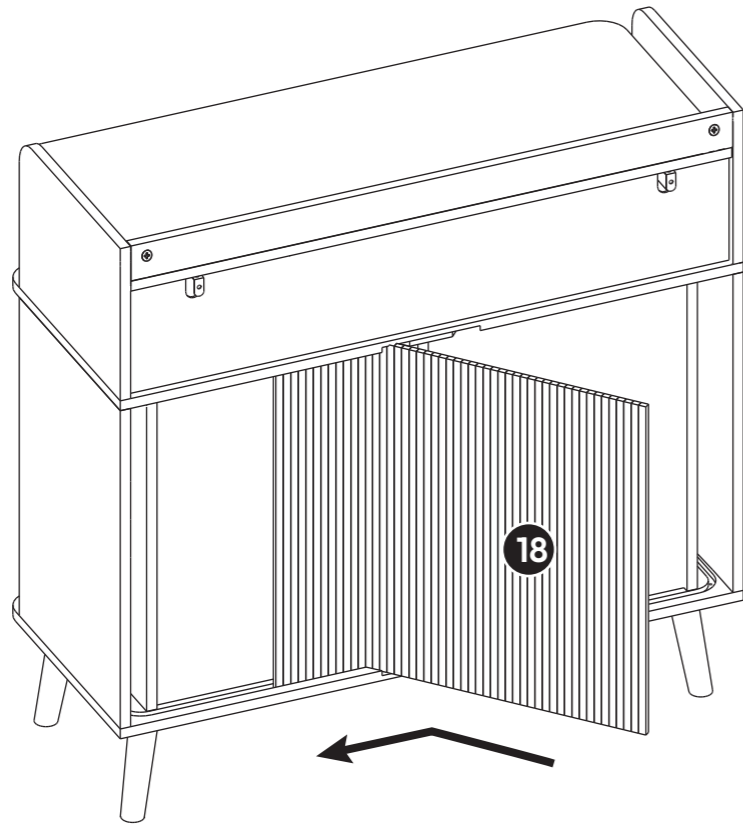
# 18



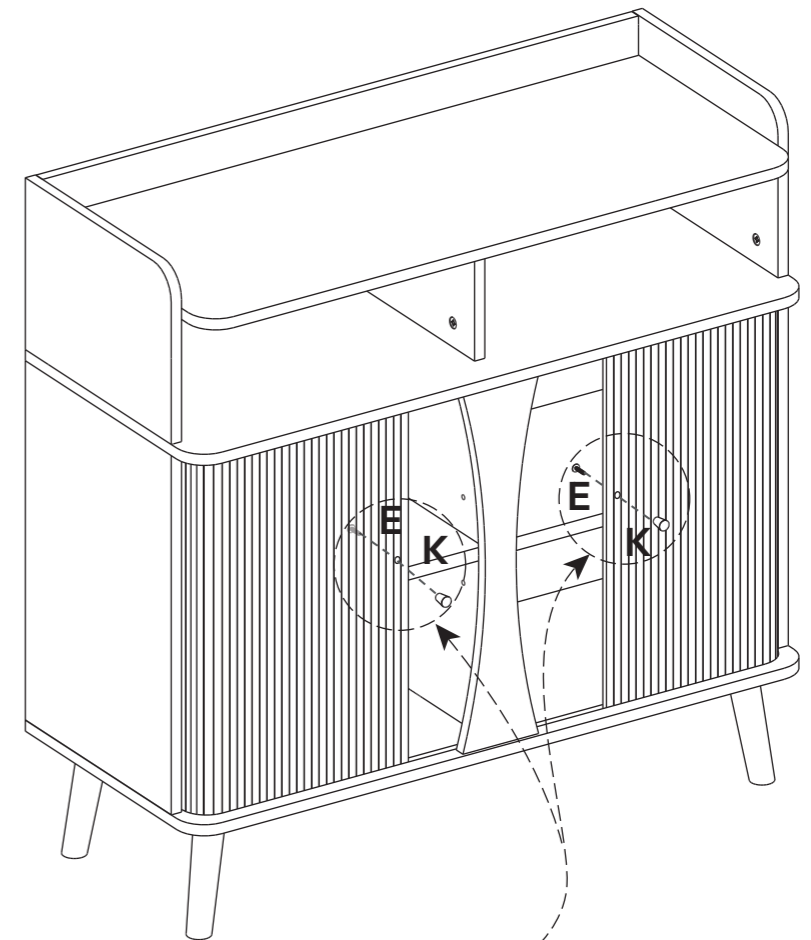
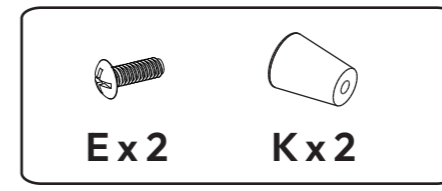
# 19



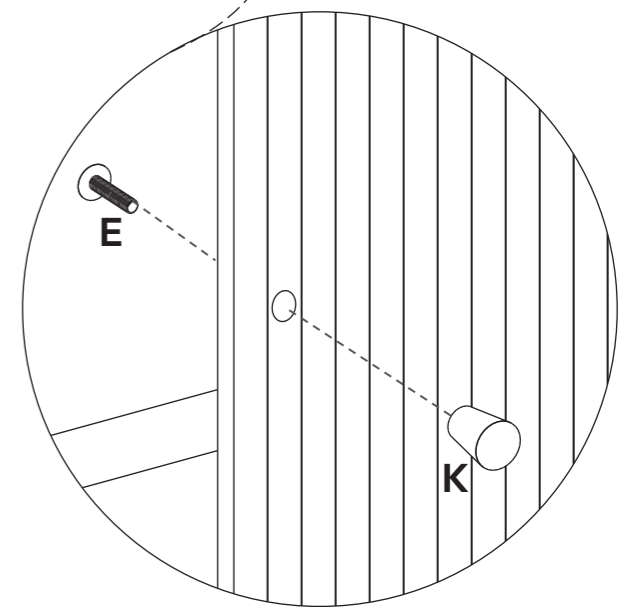
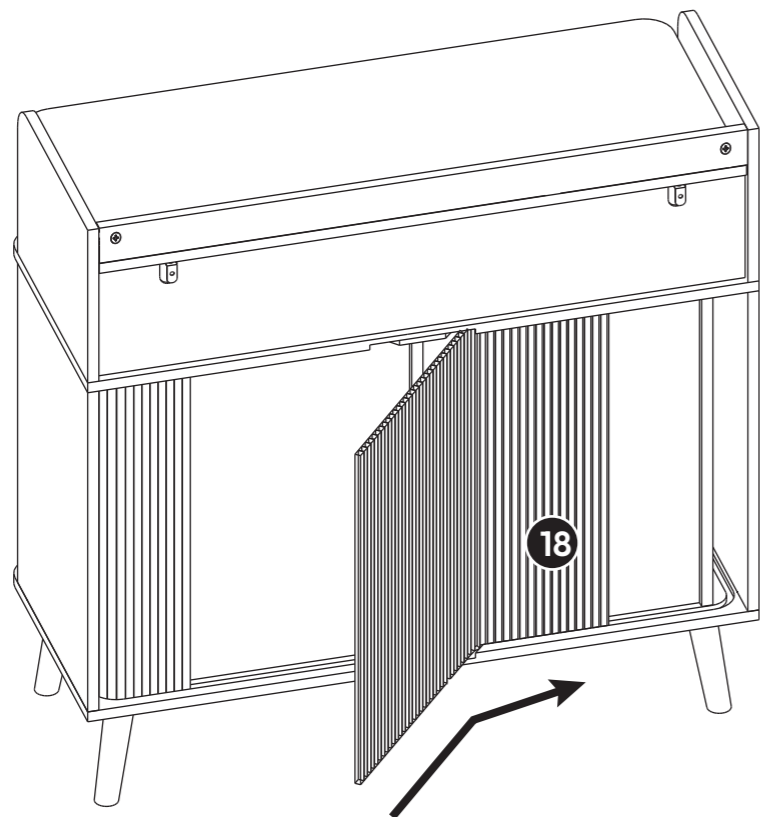
# 20



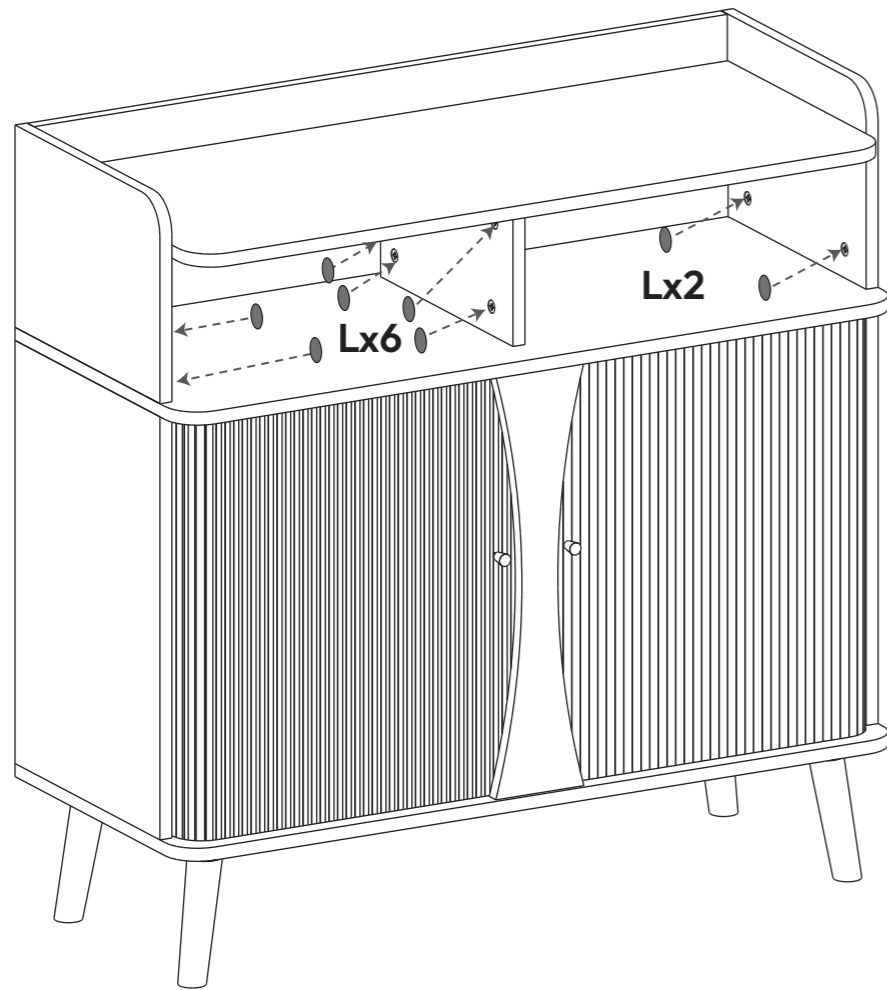
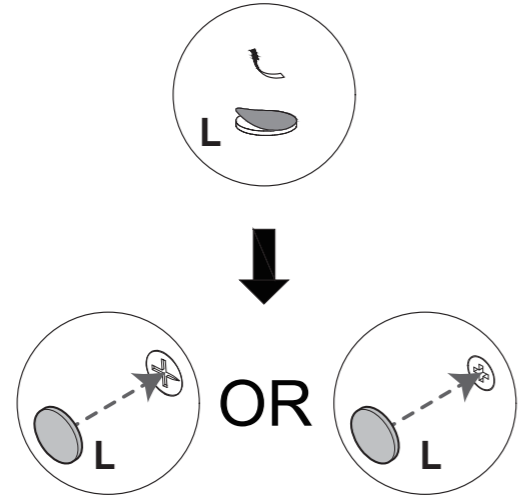
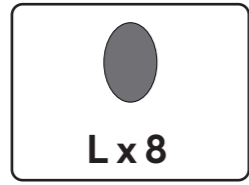
# 22



# 21



# 23



# 24

