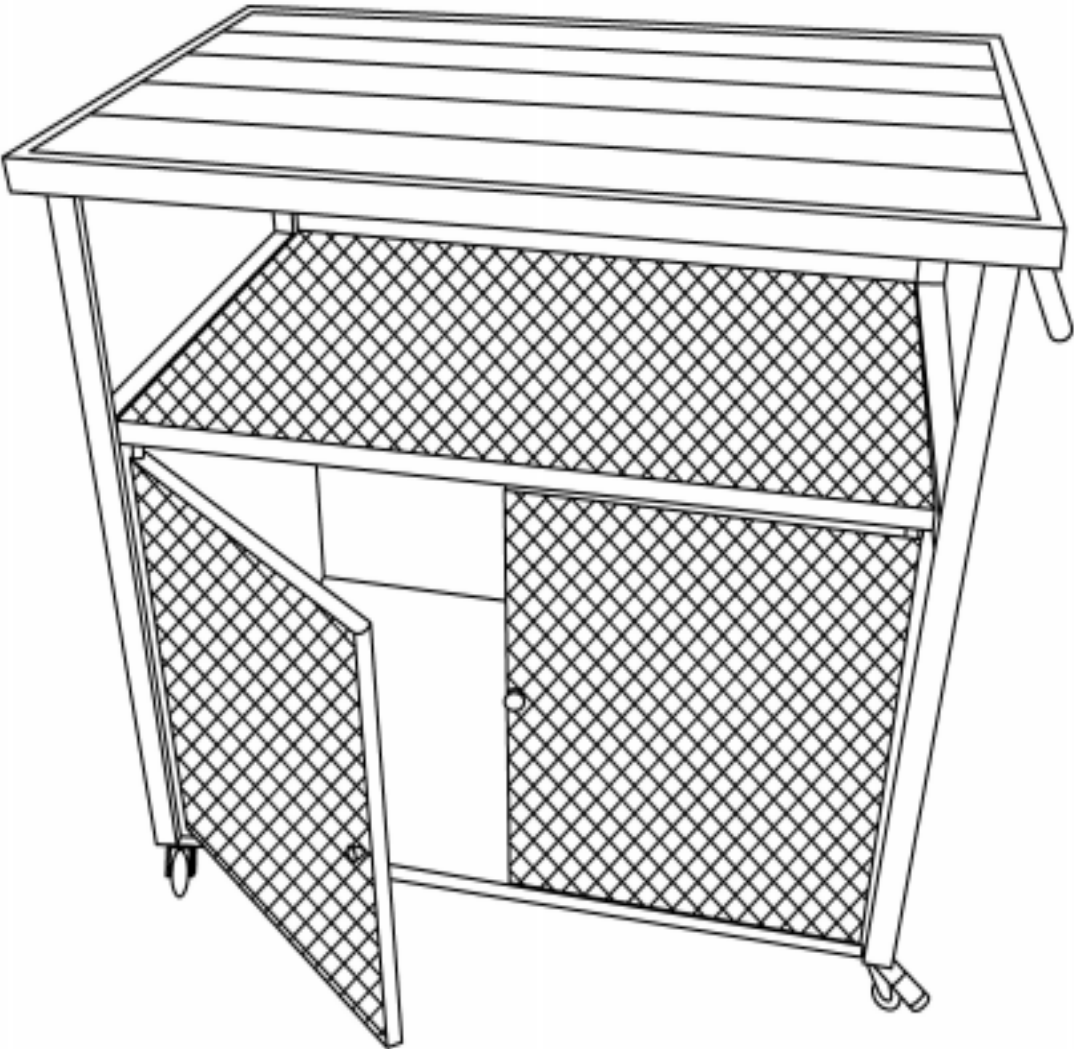
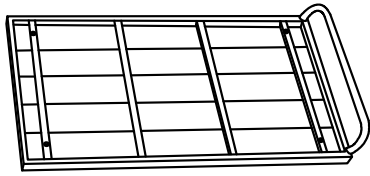


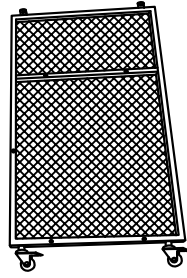
ASSEMBLY INSTRUCTION



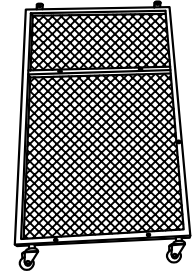
Ⓐ x1



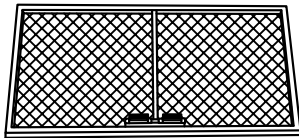
Ⓑ x1



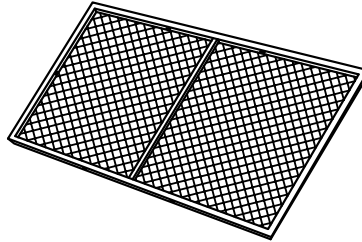
Ⓒ x1



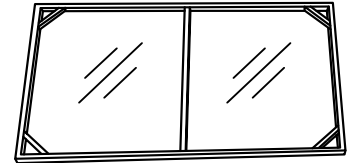
Ⓓ x1



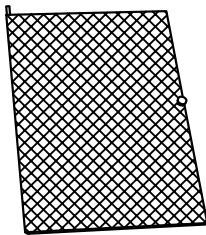
Ⓔ x1



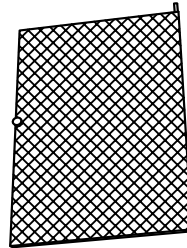
Ⓕ x1



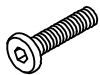
Ⓖ x1



Ⓗ x1

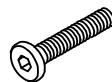


Ⓘ x4



M6x25

Ⓙ x4



M6x30

Ⓜ x20



Ⓝ x4



Ⓞ x4



Ⓟ x1



Ⓚ x10



M6x35

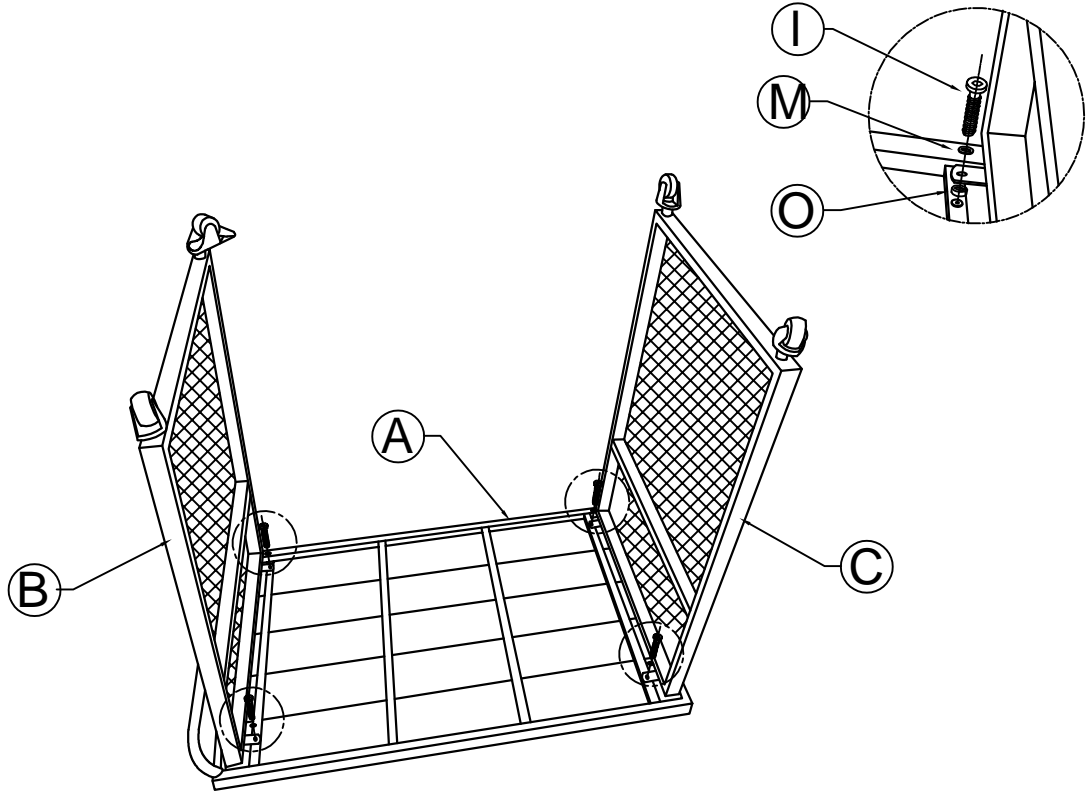
Ⓛ x2



M6x40

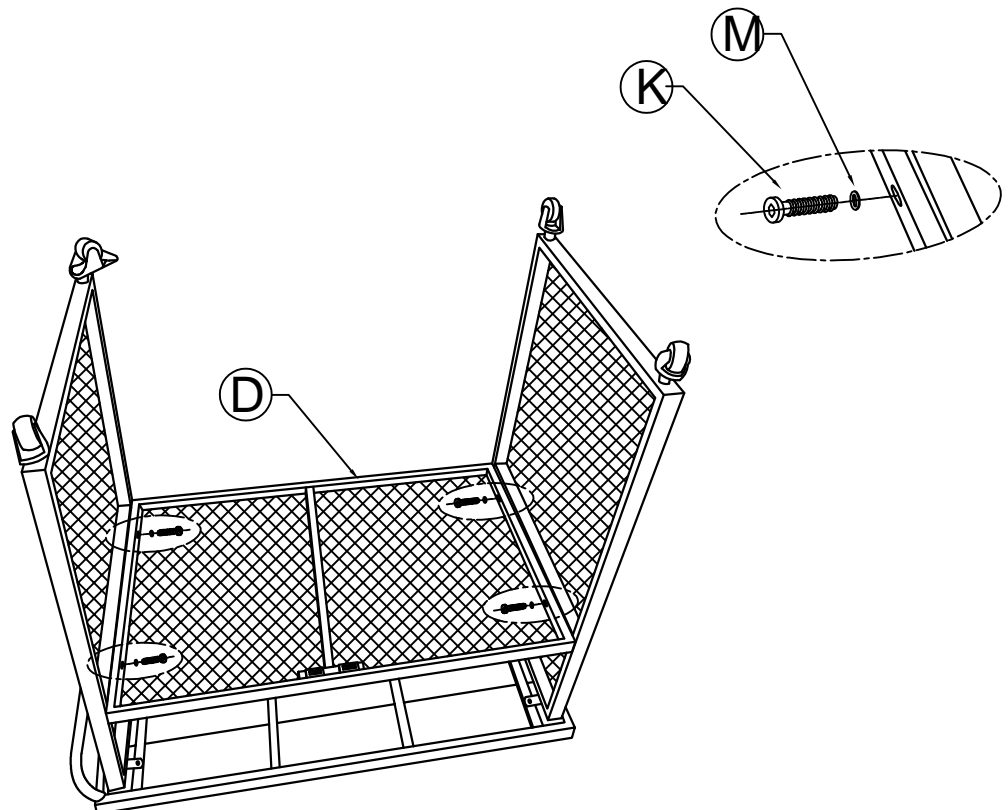
STEP 1

- Ⓐ x1
- Ⓑ x1
- Ⓒ x1
- Ⓘ x4
- Ⓜ x4
- Ⓞ x4



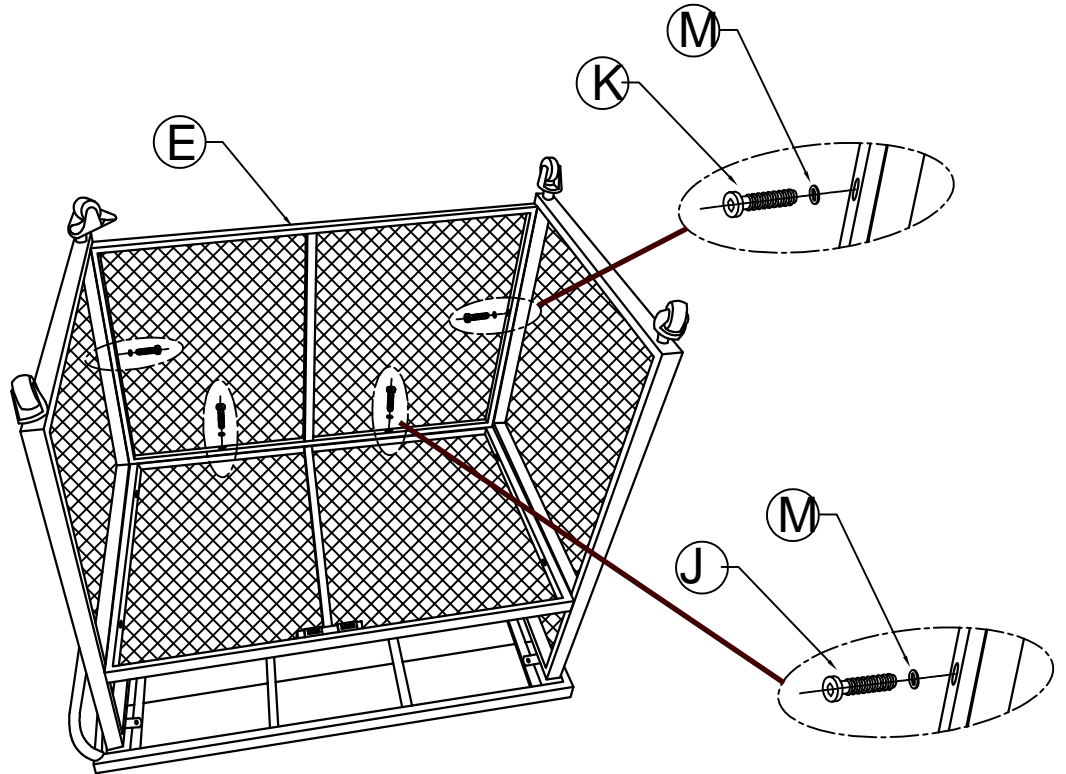
STEP 2

- Ⓓ x1
- Ⓚ x4
- Ⓜ x4



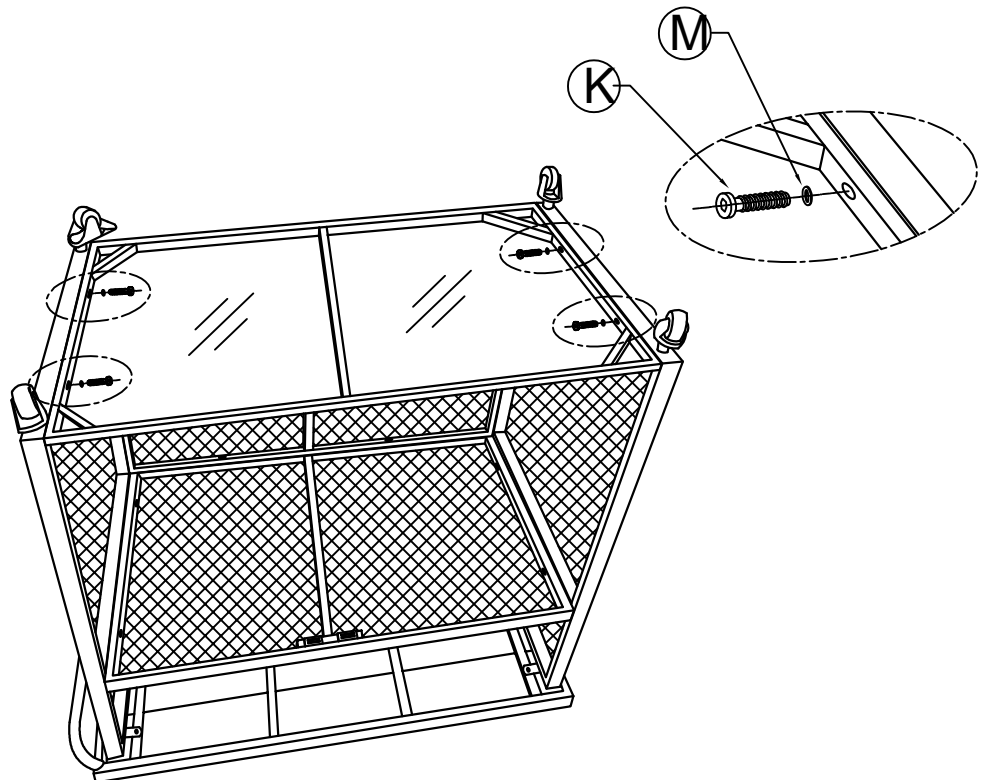
STEP 3

- ⓔ x1
- Ⓚ x2
- ⓐ x2
- Ⓜ x4



STEP 4

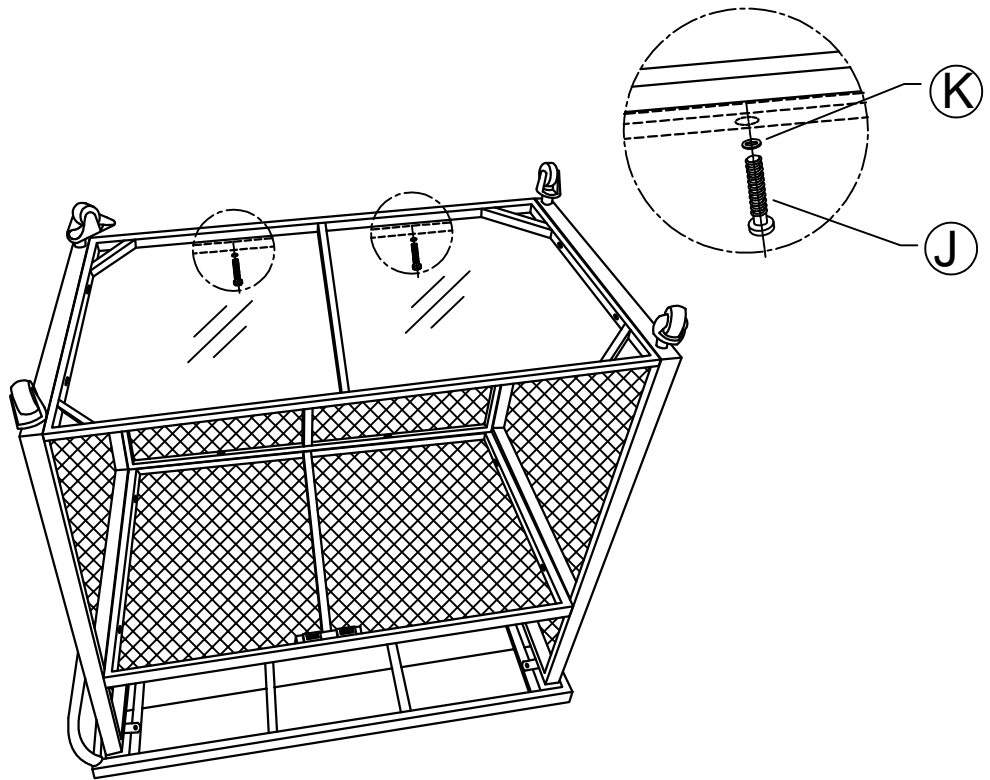
- ⓕ x1
- Ⓚ x4
- Ⓜ x4



STEP 5

ⓐ x2

ⓑ x2



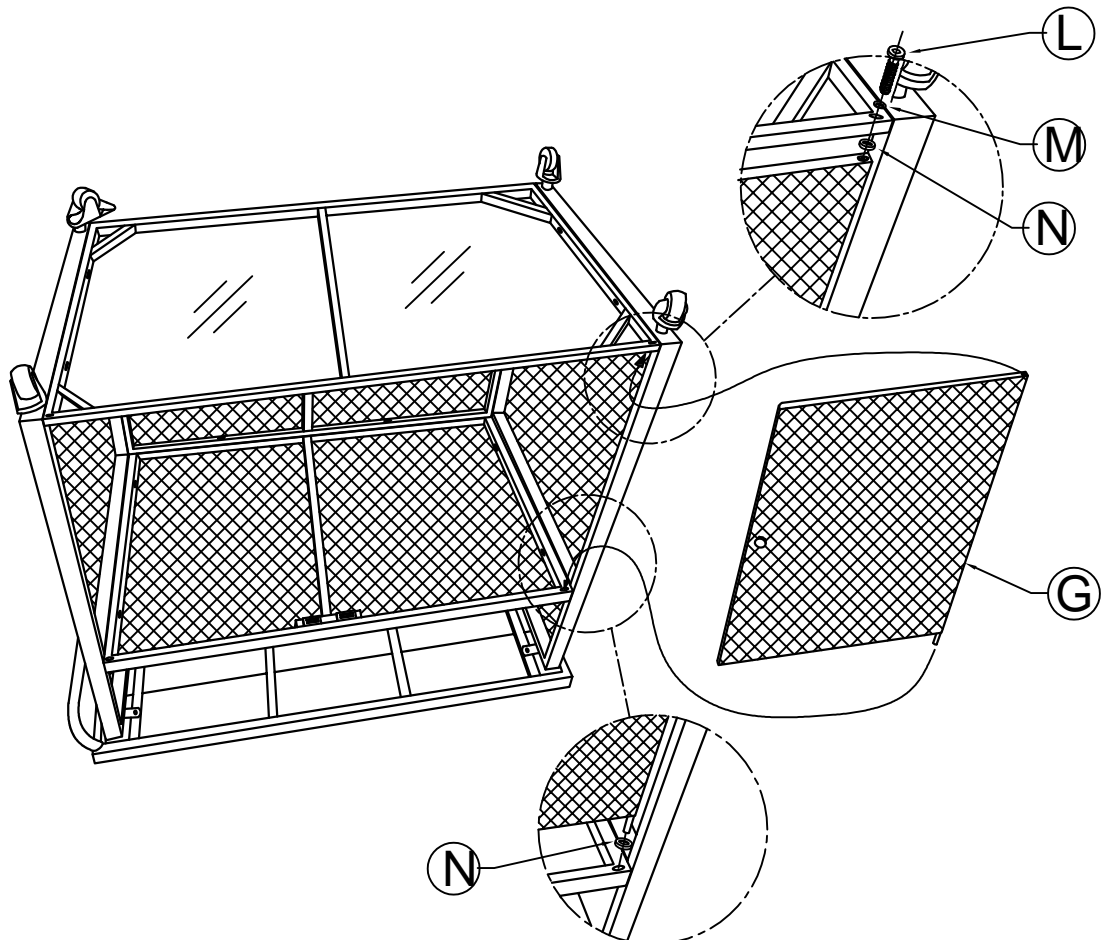
STEP 6

Ⓒ x1

Ⓓ x1

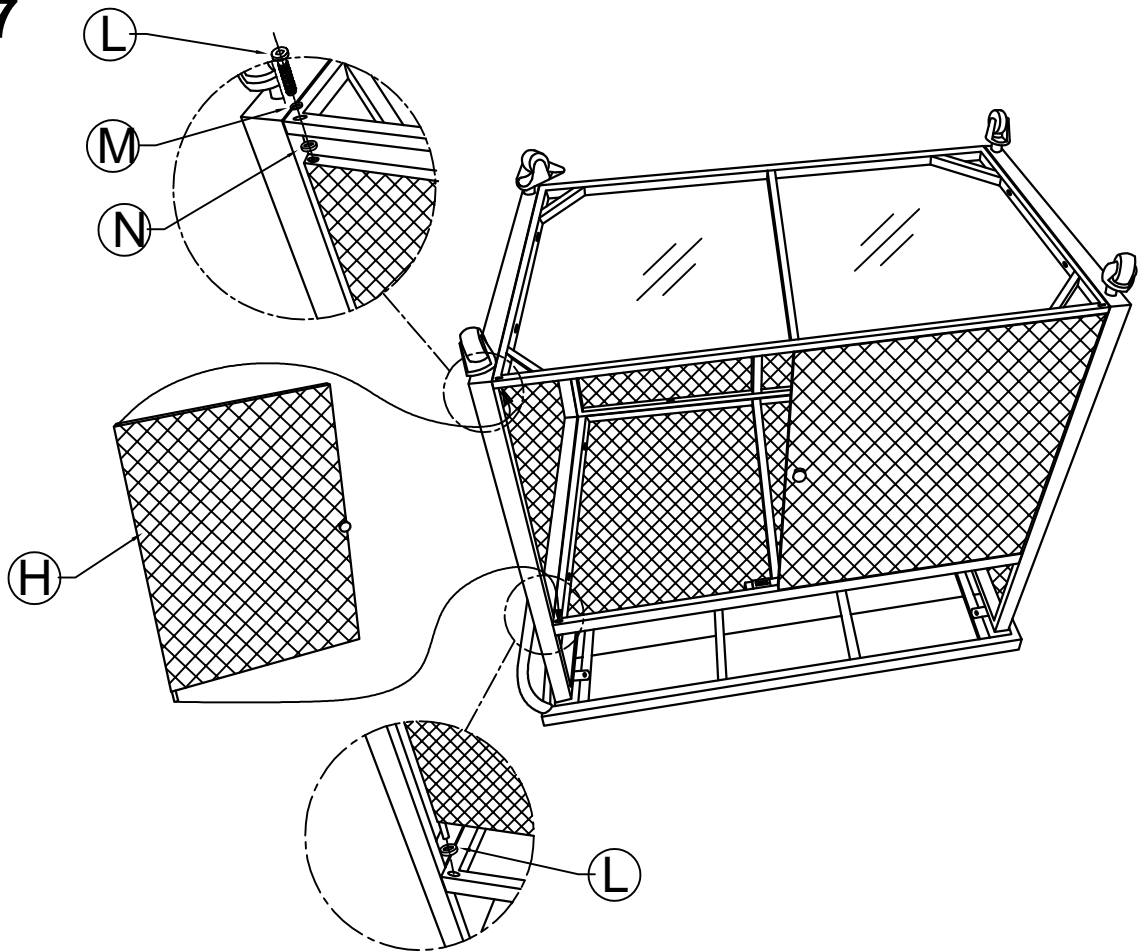
Ⓔ x1

Ⓝ x2



STEP 7

- Ⓜ x1
- Ⓛ x1
- Ⓜ x1
- Ⓝ x2



STEP 8

