

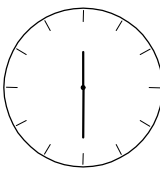
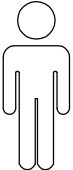


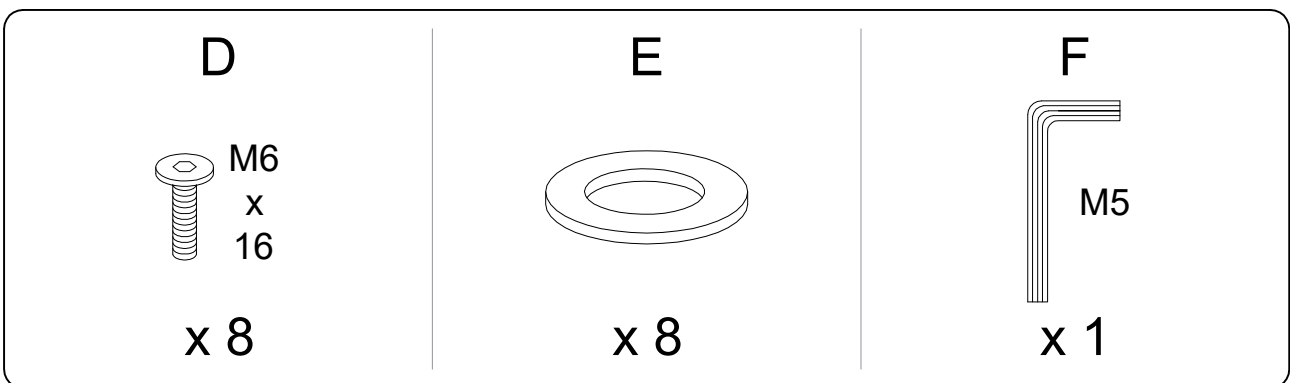
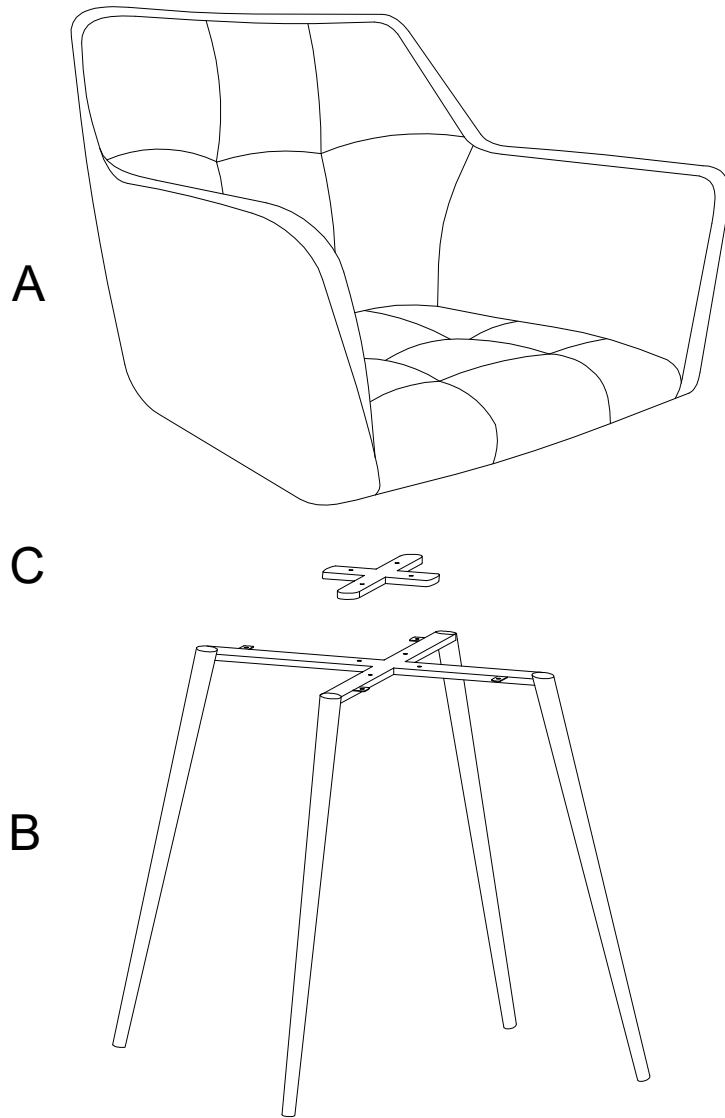
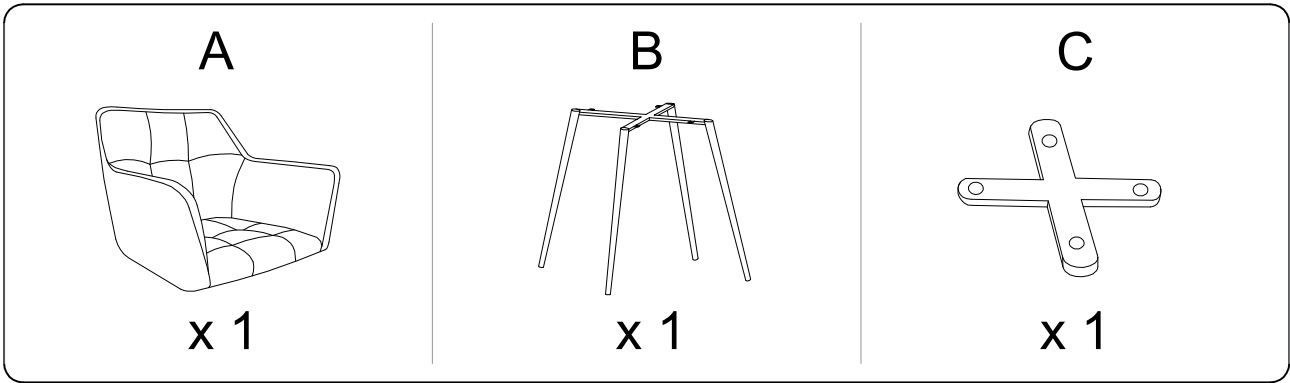
Assembly instructions for the chair, including warnings, time, and person count.

Warning 1: Do not use a power drill. Use an Allen key (shown in a circle) to tighten the screws. 

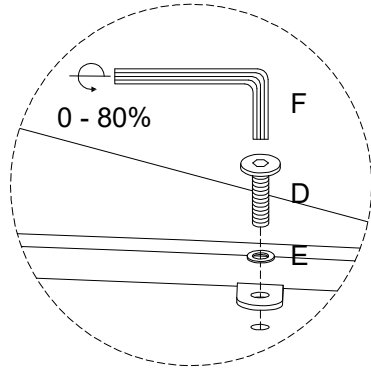
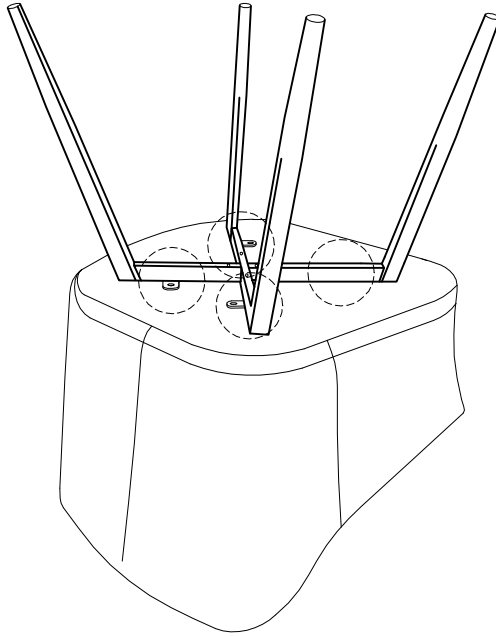
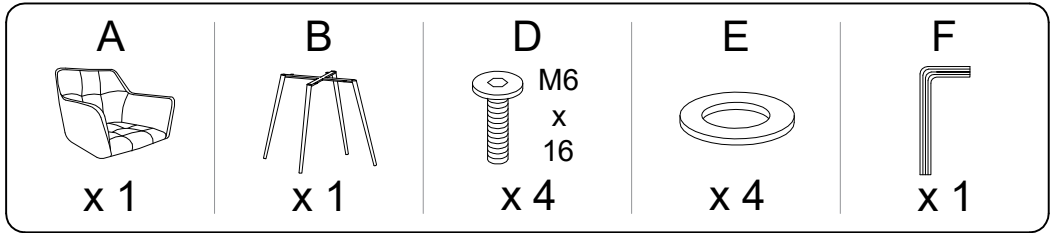
Warning 2: Do not place the chair on a soft surface like a rug. Place it on a hard, flat surface. 

Time: 30' 

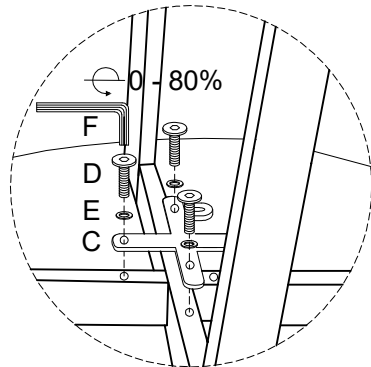
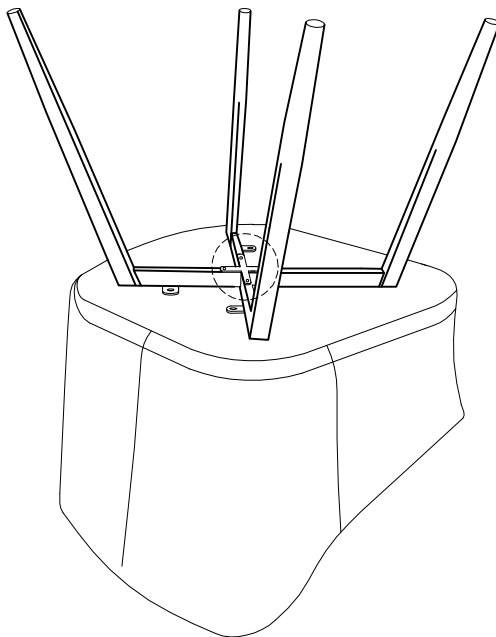
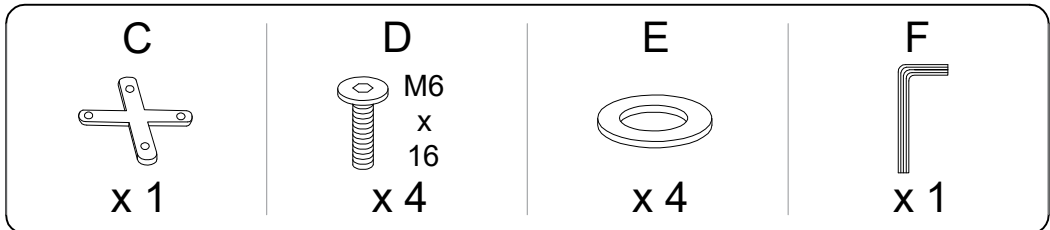
Person Count: 1 



1



2



3

