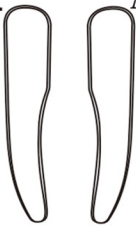

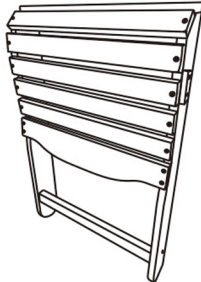
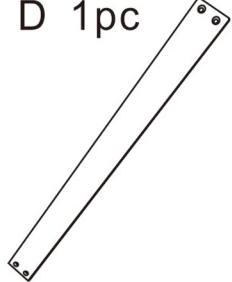
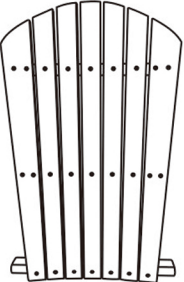
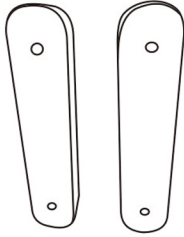

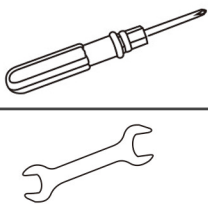

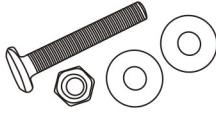

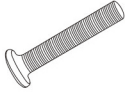


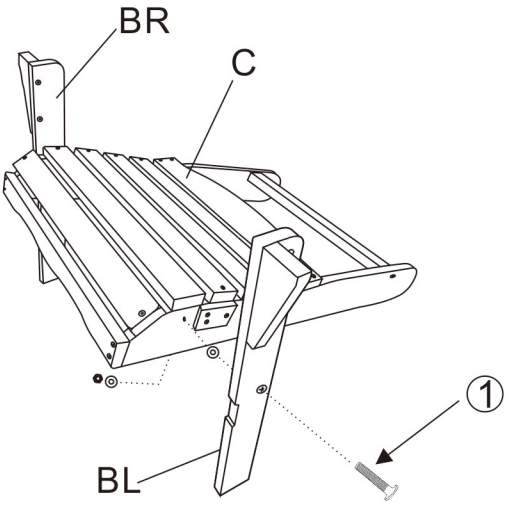
# Adirondack Chair

<p>AL AR</p>  <p>Left and Right Armrest</p>	<p>BL BR</p>  <p>Left and Right Leg</p>	<p>C</p> 	<p>D 1pc</p> 
<p>E</p> 	<p>F 2pcs</p> 	<p>G 1pc</p> 	<p>Tool</p> 

<p>① 8*50mm 4 sets</p> 	<p>② 6*55mm 2 sets</p> 	<p>③ 4*35 13 pcs</p> 	<p>④ 6*40mm 4pcs</p> 
---	--	---	--

## Assembly Instruction

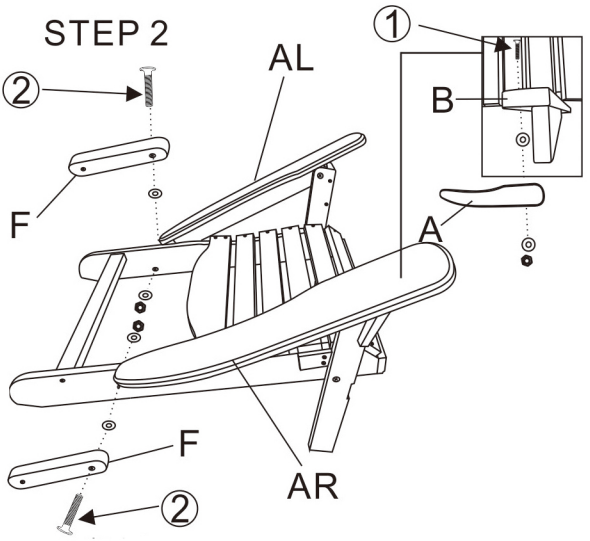
**STEP 1**



1. Attach left leg (BL) and right leg (BR) to the seat (C), using 2 sets bolts and washer ①.

① = 2sets

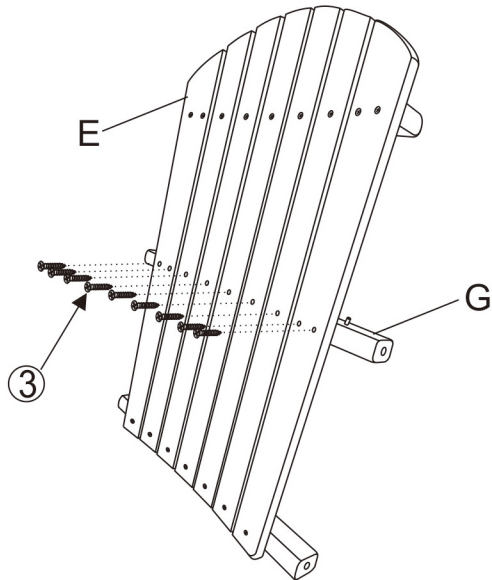
**STEP 2**



2. Connect left arm (AL) and right arm (AR) to the left & right legs, using 2 sets ① bolts and washer. Attach part (F) to the seat with 2 sets ②.

① = 2sets  
② = 2sets

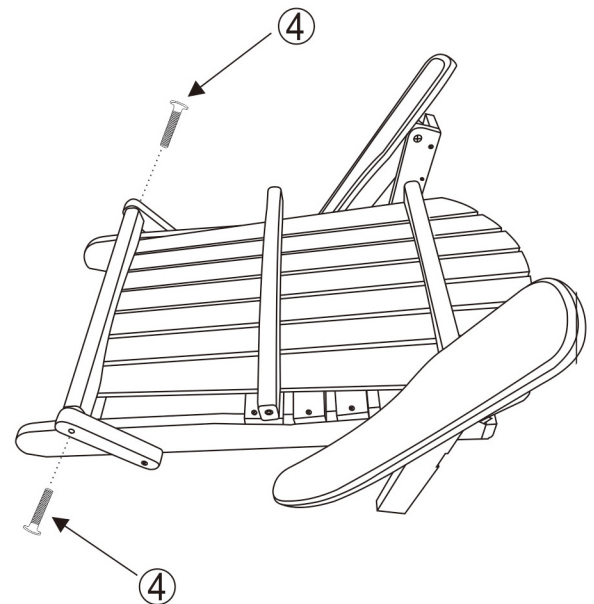
### STEP 3



3. Attach part (G) to the back of (E), using 9 pcs screws ③.

③ = 9pcs

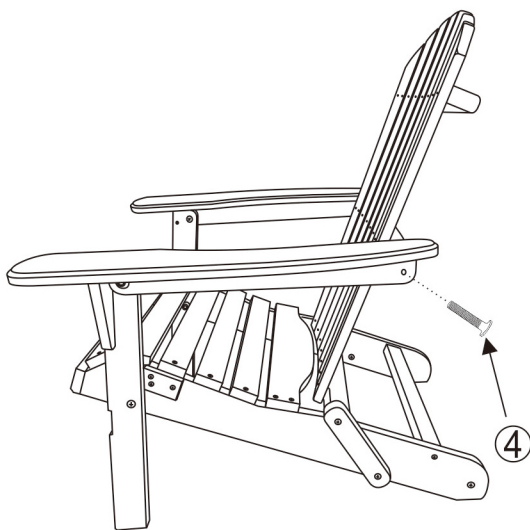
### STEP 4



4. Connect back (E) to part (F) with 2 bolts ④.

④ = 2pcs

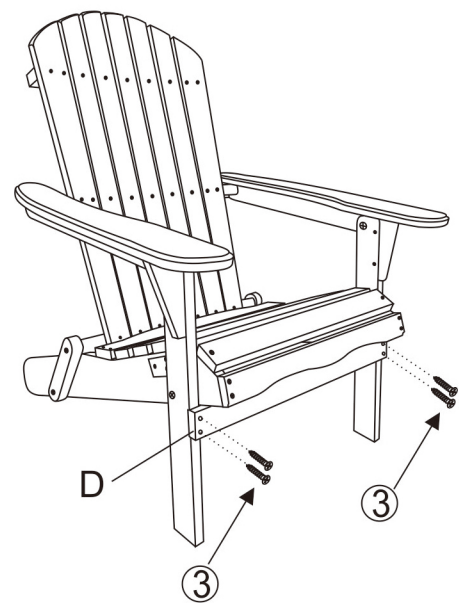
### STEP 5



5. Connect arms to the back with 2 bolts ④.

④ = 2pcs

### STEP 6



6. Attach brace (D) to the legs with 4 pcs screws ③.

③ = 4pcs

Thank you so much for shopping with us, For any issue or concern, welcome to contact us.

If you like our product, please share your experience with us on Website!