

### Features

- 21-inch minimum base cabinet width.
- 18-gauge stainless steel.
- Under-mount.
- Single compartment.
- Rounded bowl.
- With SilentShield® sound-absorption technology.
- 15-1/2" (394 mm) x 19-5/8" (500 mm)

### Optional Accessories

K-3278 Cutting Board  
K-3291 Colander  
K-8801 Sink Strainer

### Components

Product includes:  
91915 Hardware Kit



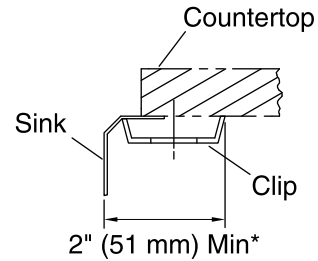
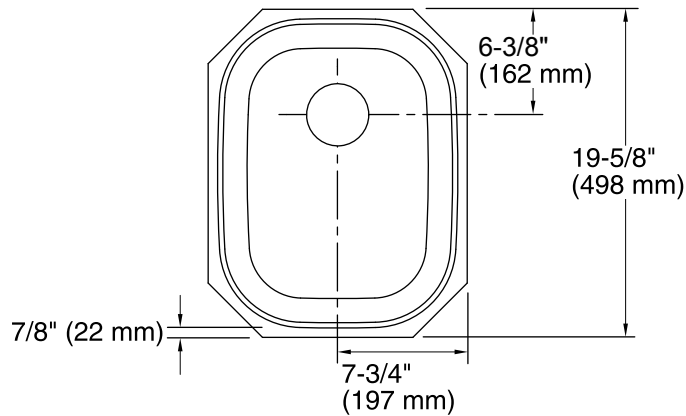
ADA

### Codes/Standards

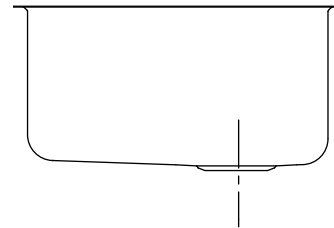
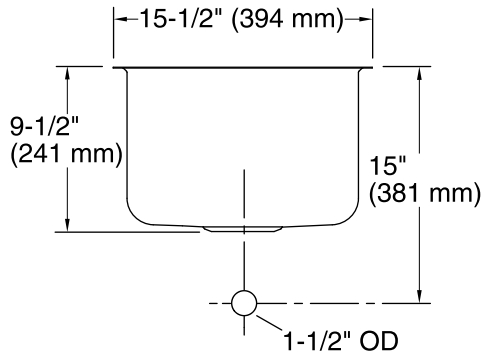
ASME A112.19.3/CSA B45.4  
ADA  
ICC/ANSI A117.1

### Lifetime Limited Warranty for KOHLER® Stainless Steel Sinks

See website for detailed warranty information.



\* Allow clearance around sink rim for clip attachment.



### Technical Information

All product dimensions are nominal.

Bowl configuration:	Single
Installation:	Under-mount
Bowl area	Length: 13-3/4" (349 mm) Width: 17-7/8" (454 mm) Bowl depth: 9-1/2" (241 mm)
Drain hole:	3-5/8" (92 mm)
Template:	Under-mount, 113198, required, included

### Notes

Install this product according to the installation guide.

Allow a minimum of 2" (51 mm) clearance around the sink rim for clip attachment.

ADA compliant when installed to the specific requirements of these regulations.