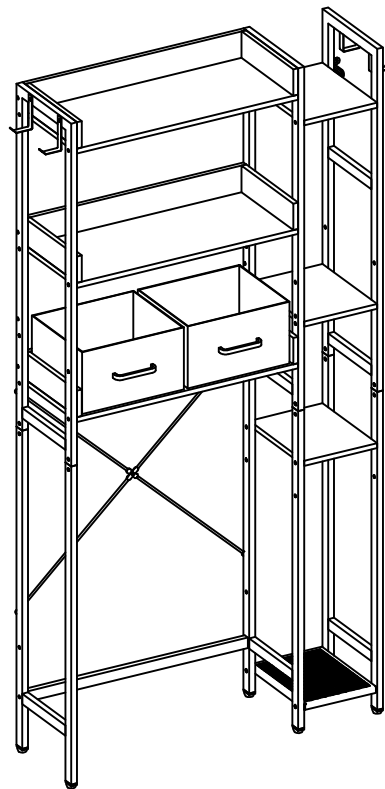
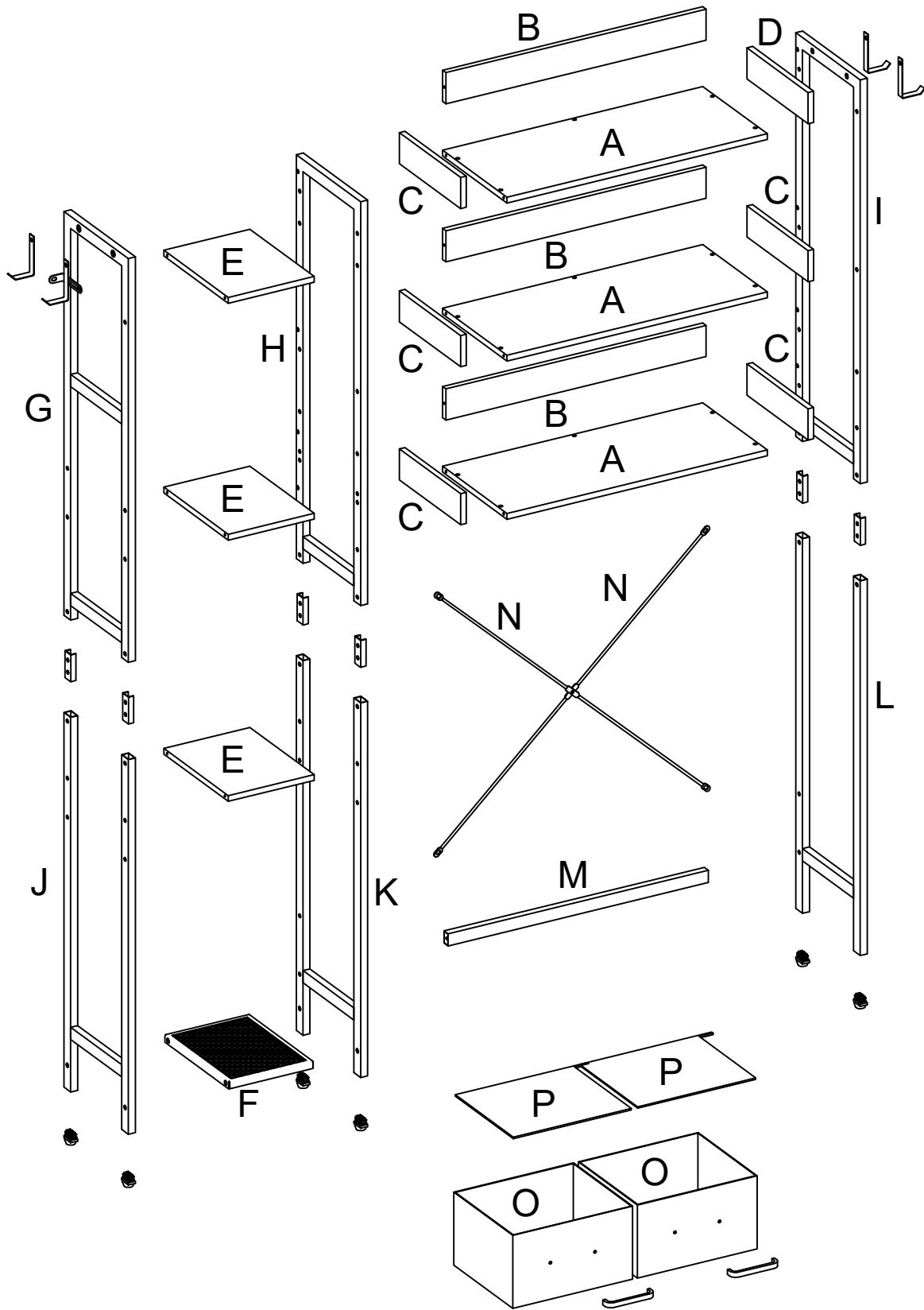


Option A

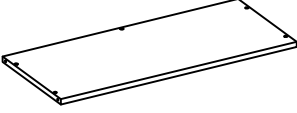
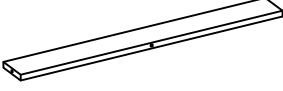

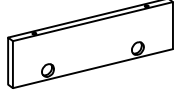
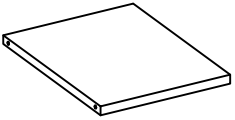
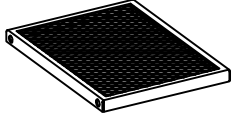
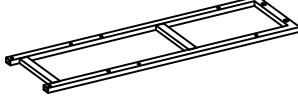
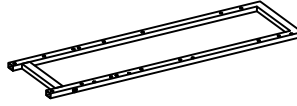
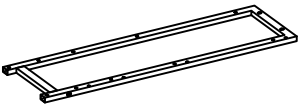





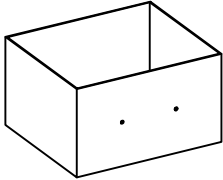
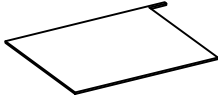


Option B

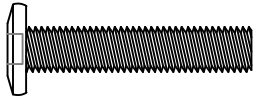
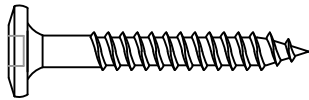
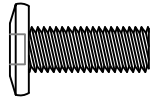

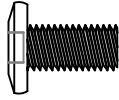
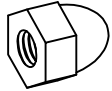
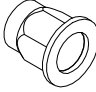

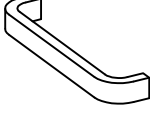


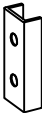
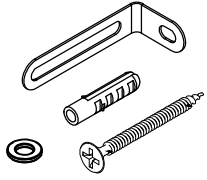

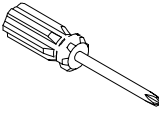
# PART LIST



## PART LIST

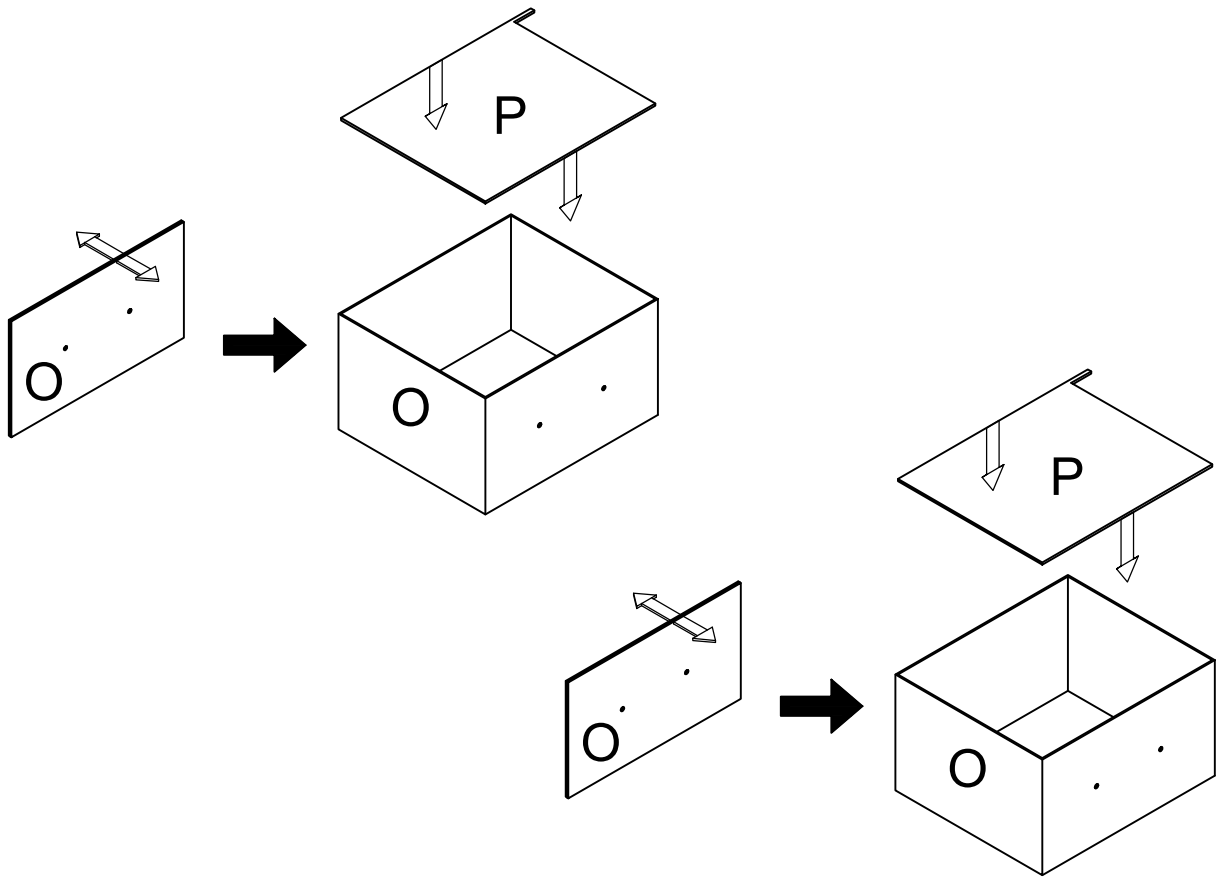
<p><b>A x 3pcs</b></p> 	<p><b>B x 3pcs</b></p> 	<p><b>C x 5pcs</b></p> 	<p><b>D x 1pc</b></p> 
<p><b>E x 3pcs</b></p> 	<p><b>F x 1pc</b></p> 	<p><b>G x 1pc</b></p> 	<p><b>H x 1pc</b></p> 
<p><b>I x 1pc</b></p> 	<p><b>J x 1pc</b></p> 	<p><b>K x 1pc</b></p> 	<p><b>L x 1pc</b></p> 
<p><b>M x 1pc</b></p> 	<p><b>N x 2pcs</b></p>  <p>Ø5x780</p>	<p><b>O x 2pcs</b></p>  <p>258x220x150</p>	<p><b>P x 2pcs</b></p> 

## HARDWARE LIST

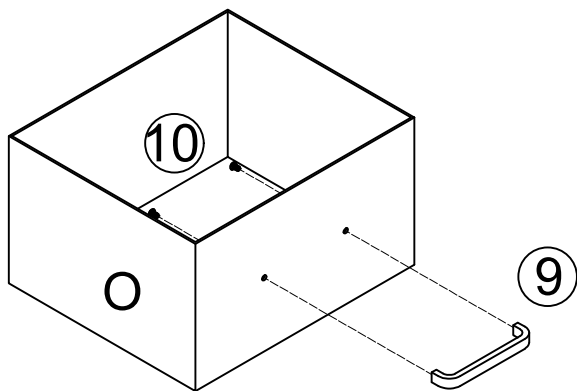
<p style="text-align: center;">①</p>  <p>M6x30                      6 pcs</p>	<p style="text-align: center;">②</p>  <p>M5x40                      30 pcs</p>	<p style="text-align: center;">③</p>  <p>M6x16                      4 pcs</p>
<p style="text-align: center;">④</p>  <p>M6x40                      15 pcs</p>	<p style="text-align: center;">⑤</p>  <p>M6x12                      17 pcs</p>	<p style="text-align: center;">⑥</p>  <p>M6                              1 pc</p>
<p style="text-align: center;">⑦</p>  <p>                                    2 pcs</p>	<p style="text-align: center;">⑧</p>  <p>                                    4 pcs</p>	<p style="text-align: center;">⑨</p>  <p>                                    2 pcs</p>
<p style="text-align: center;">⑩</p>  <p>M4x6                              4 pcs</p>	<p style="text-align: center;">⑪</p>  <p>25x15xM6                      6 pcs</p>	<p style="text-align: center;">⑫</p>  <p>25x15xM6                      6 pcs</p>
<p style="text-align: center;">⑬</p>  <p>M4x40                      2 pcs</p>	<p style="text-align: center;">⑭</p>  <p>M4                                      1 pc</p>	<p style="text-align: center;">⑮</p>  <p>    1 pc</p>


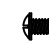
\*Please count and verify all parts before assembly .\*

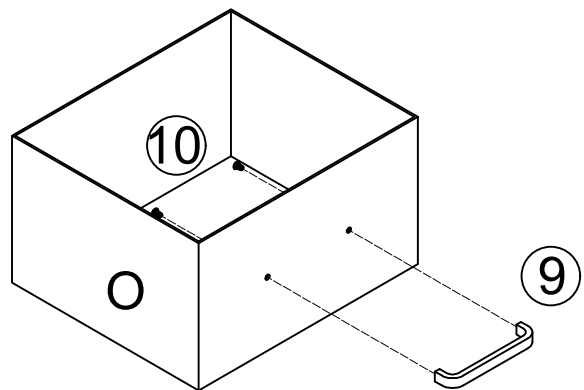
# STEP 1



# STEP 2

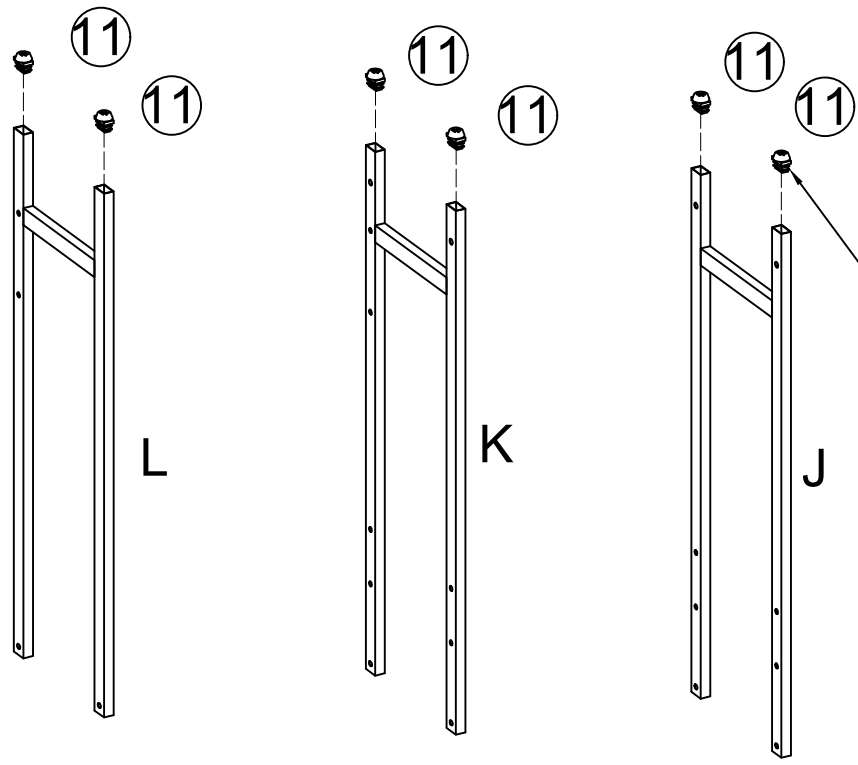


- 9  x2
- 10  x4




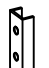
### STEP 3

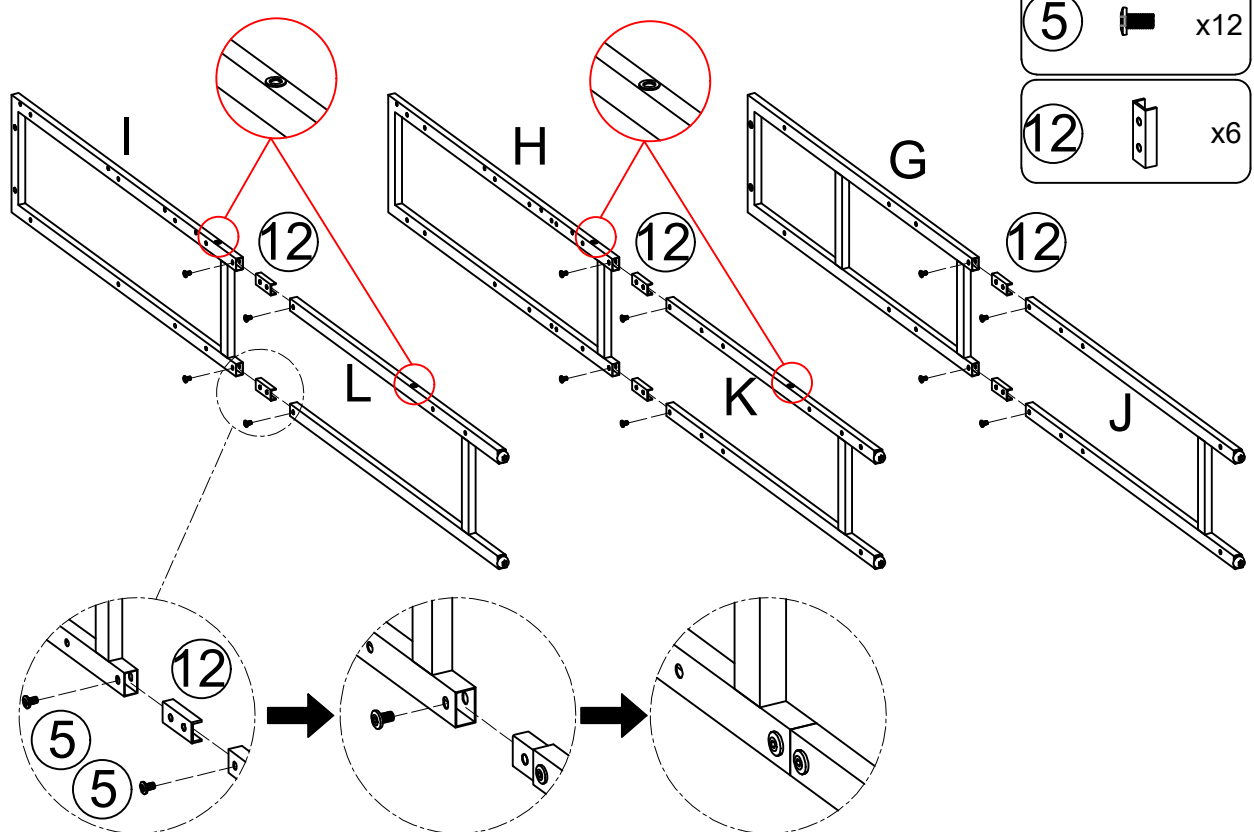
11  x6



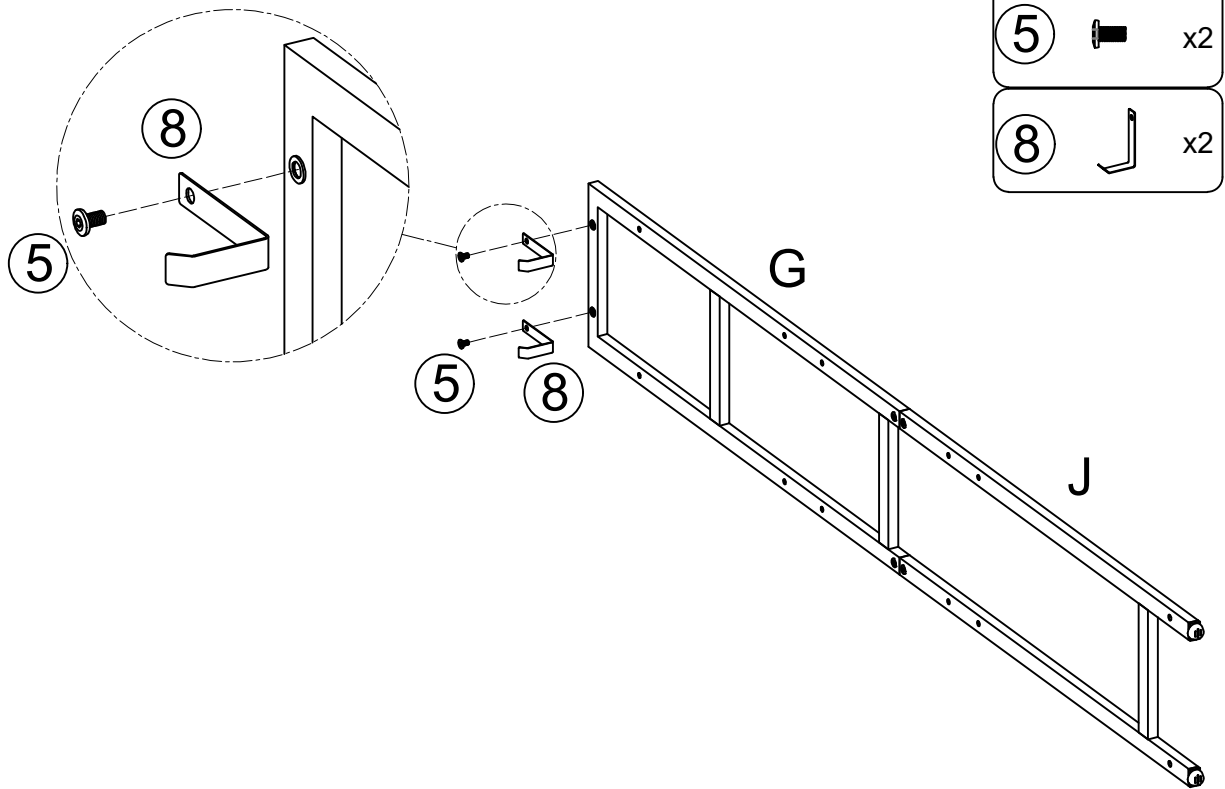
Please use a hammer or solid tools (not included) to knock the footpads into the frame.

### STEP 4

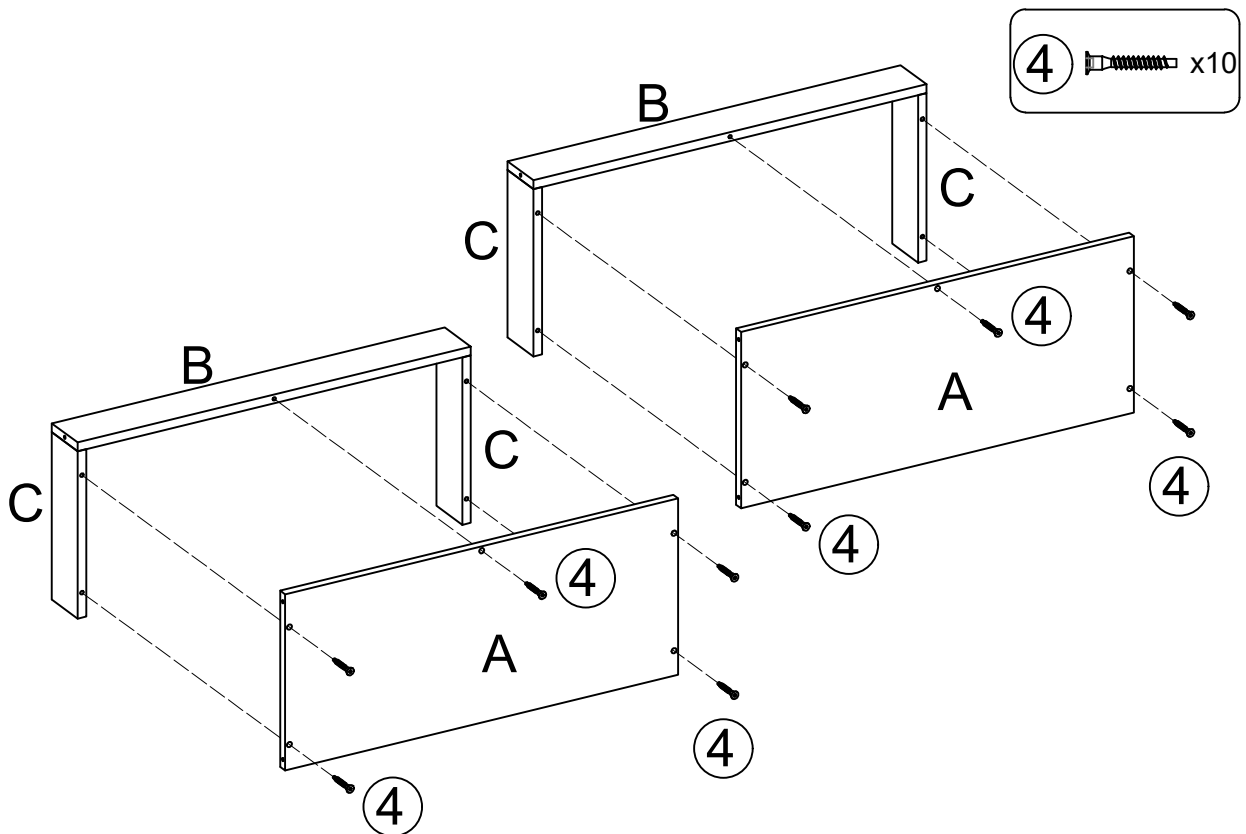
5  x12  
12  x6



### STEP 5



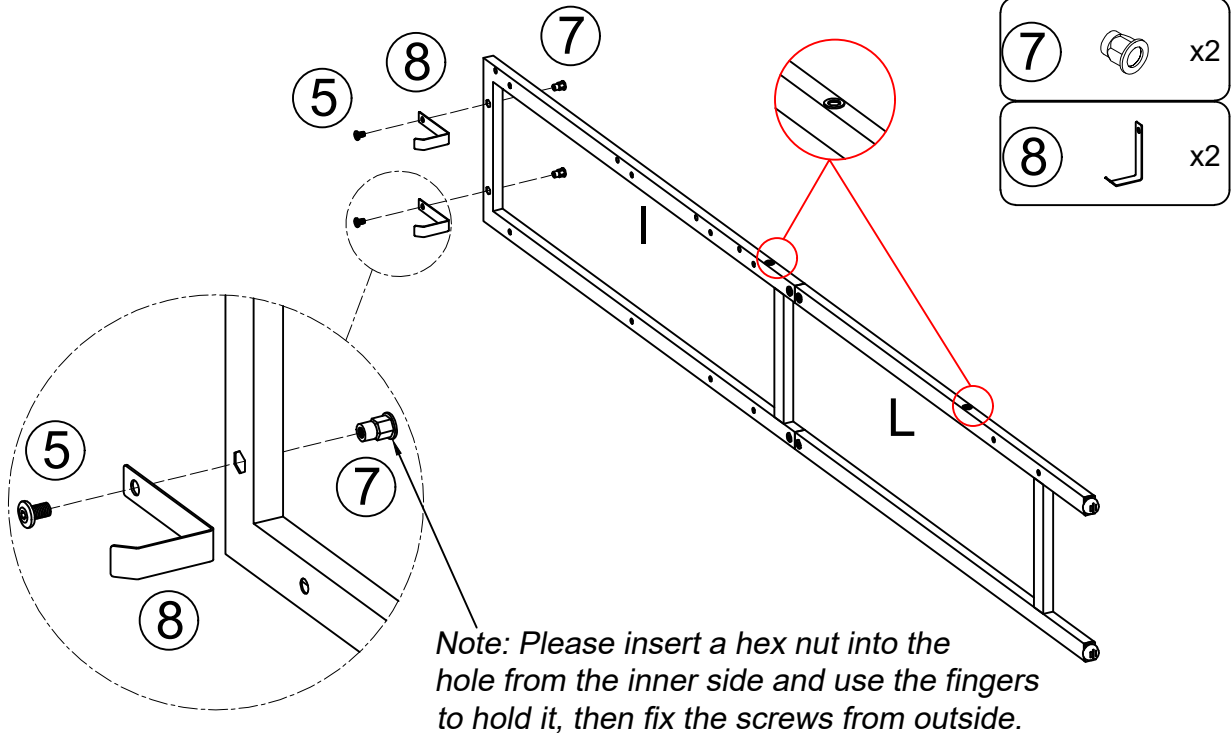
### STEP 6



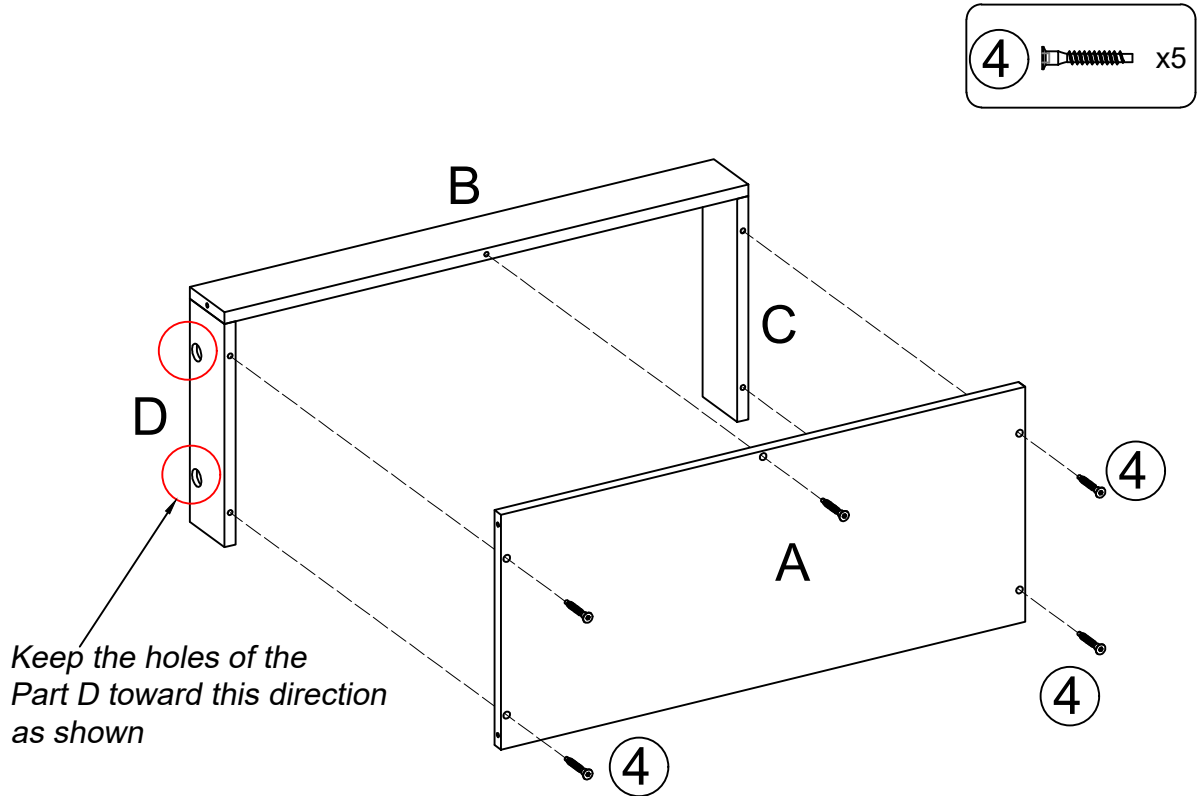
# Option A

## STEP 7

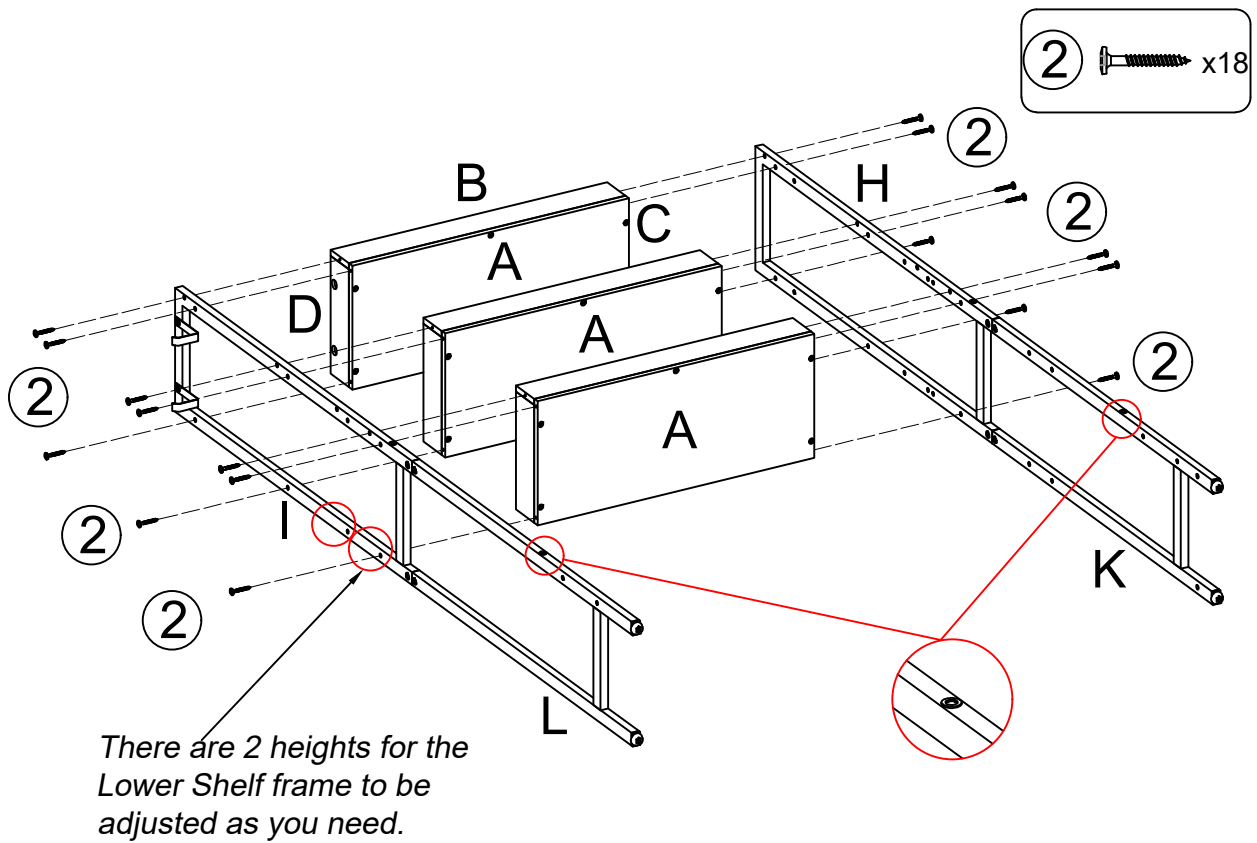
Keep the holes of the Part I and Part L toward this direction as shown.



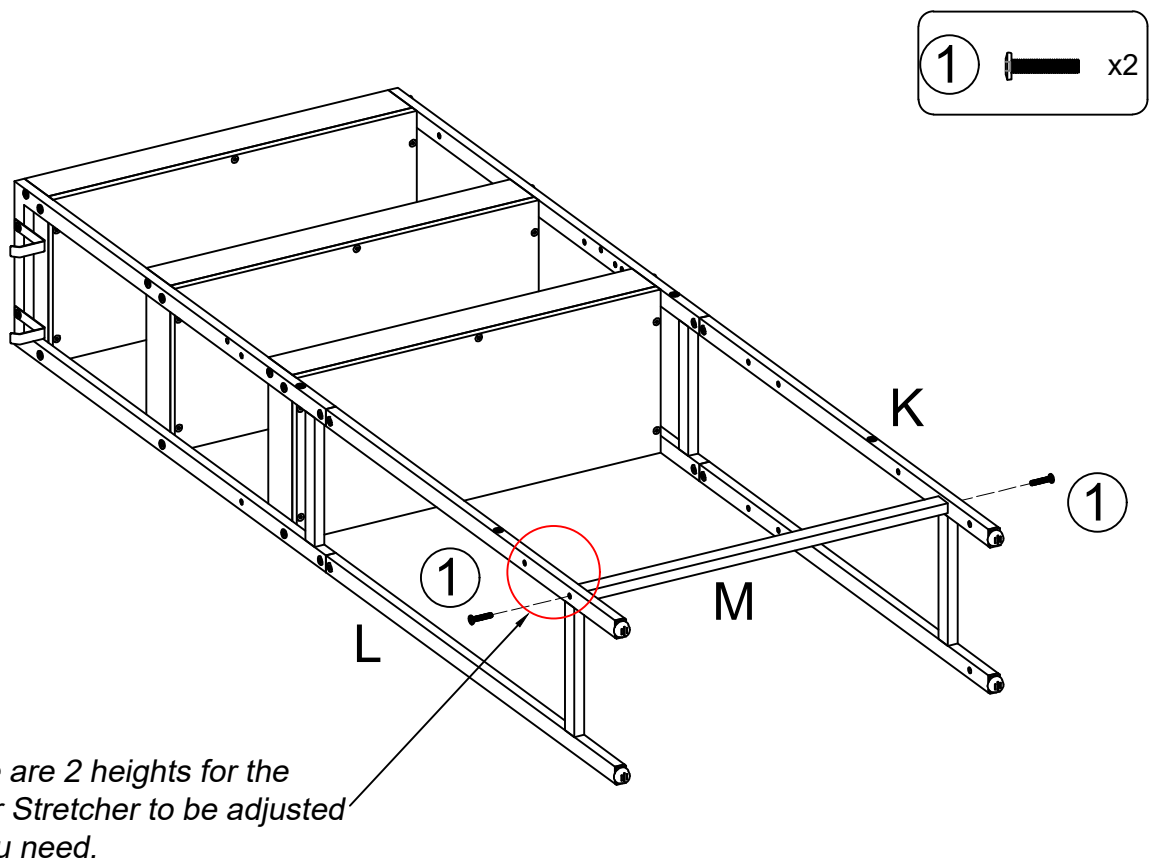
## STEP 8



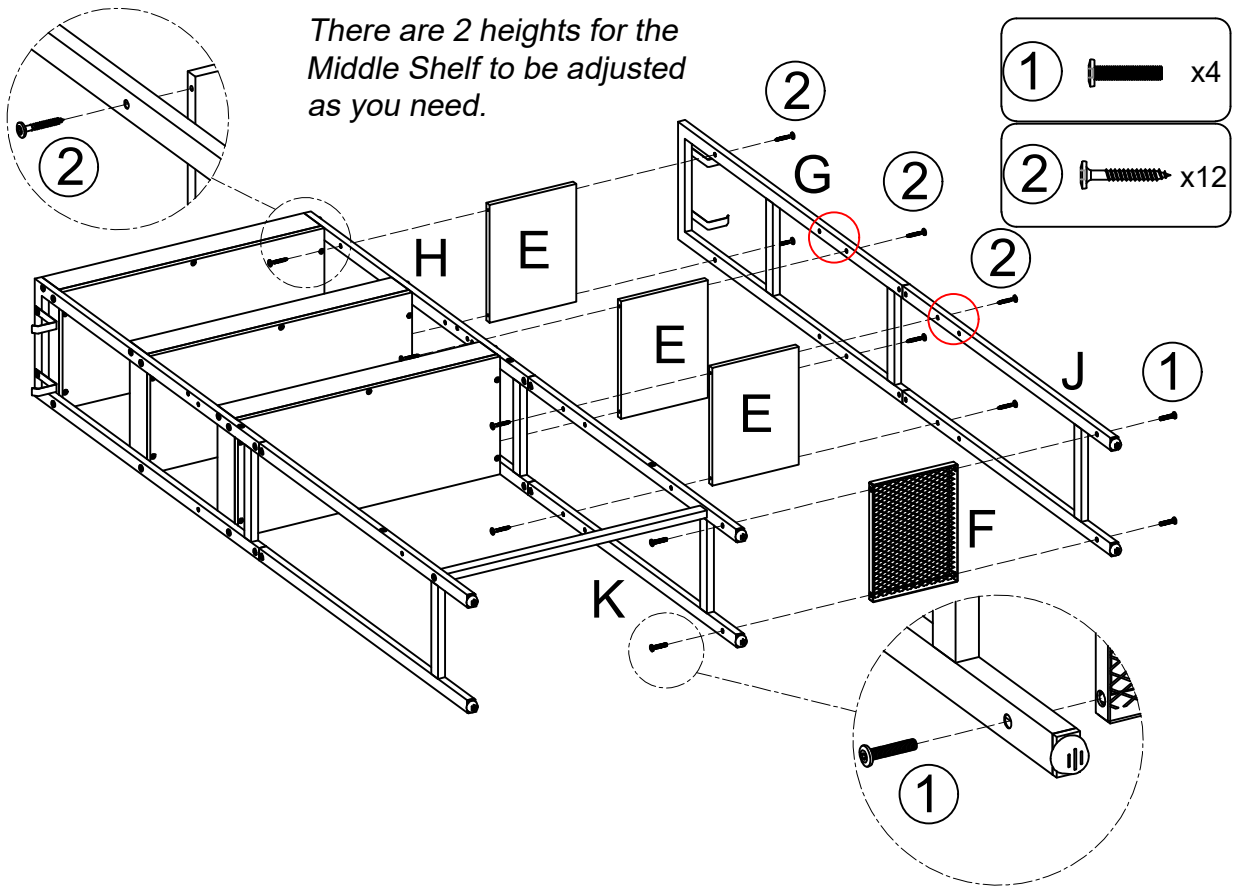
## STEP 9



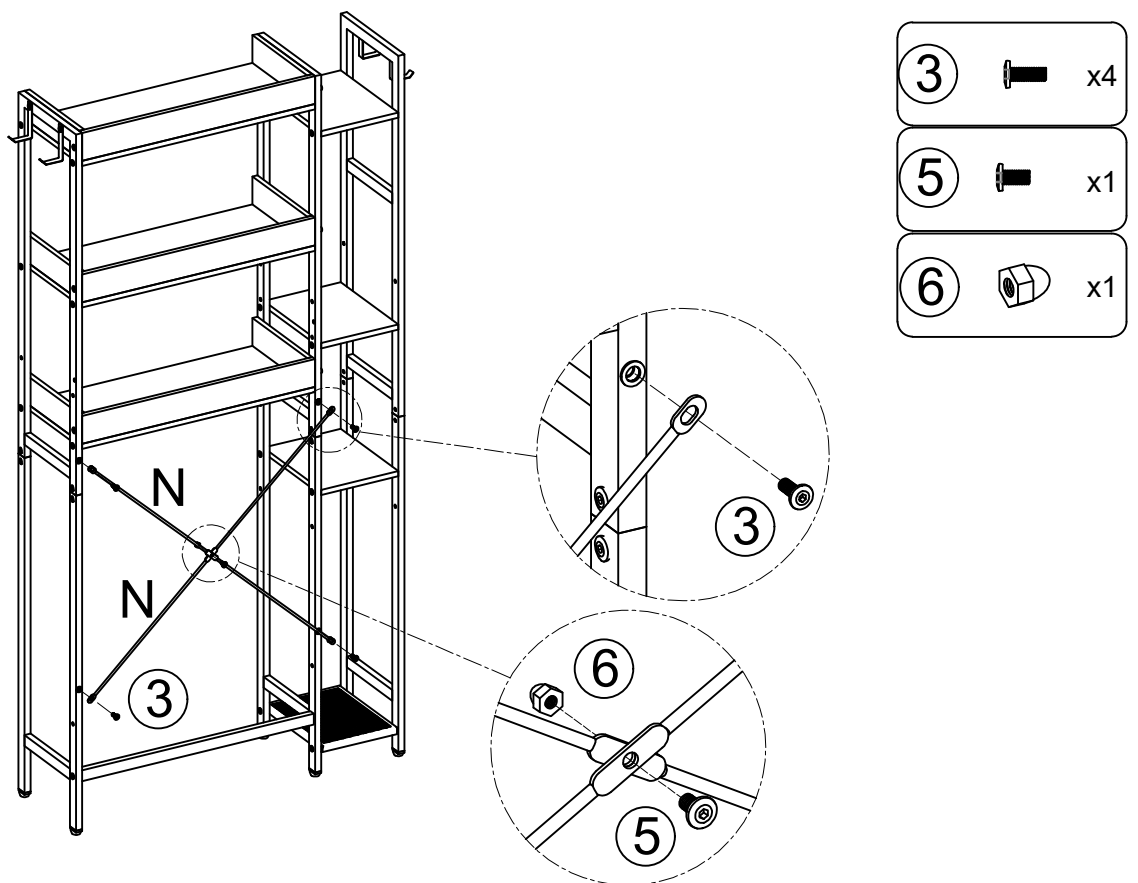
## STEP 10



## STEP 11

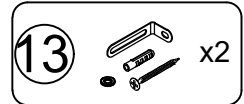


## STEP 12



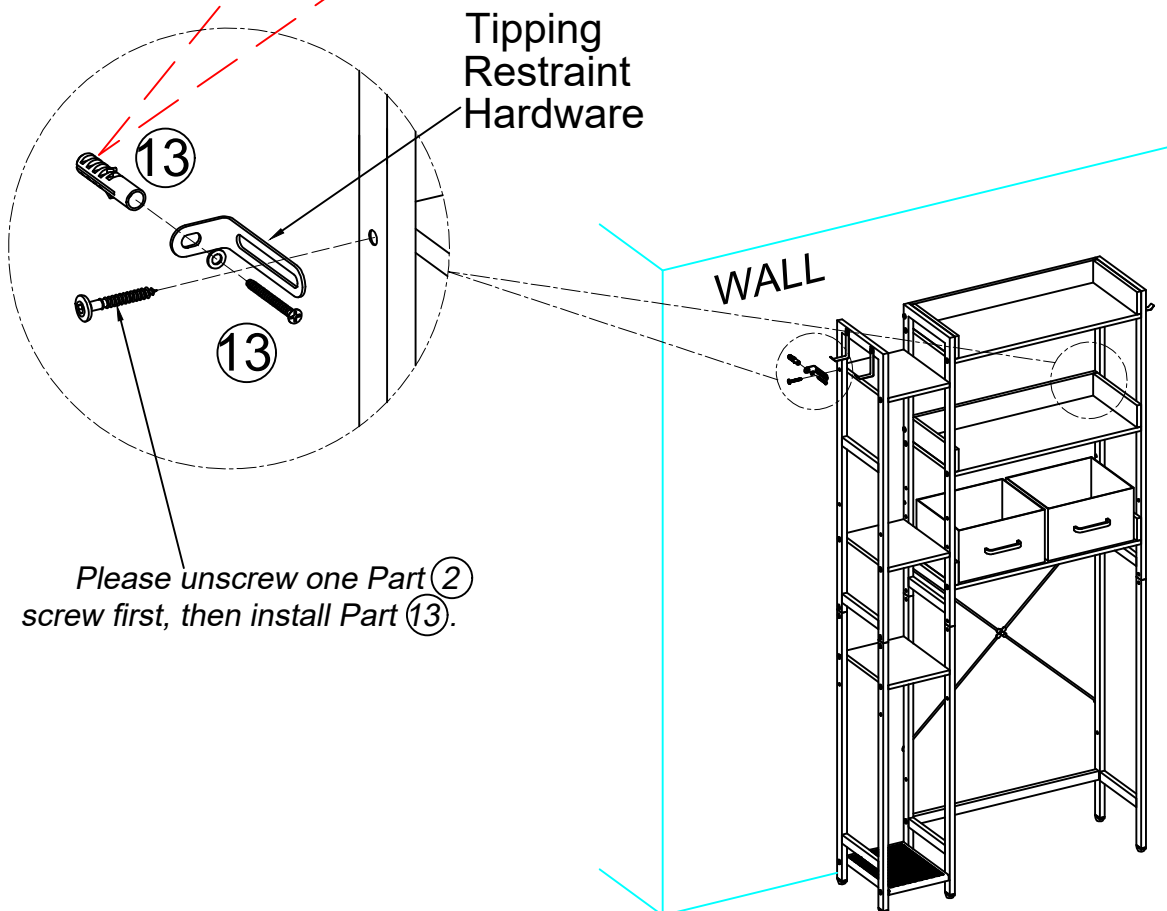
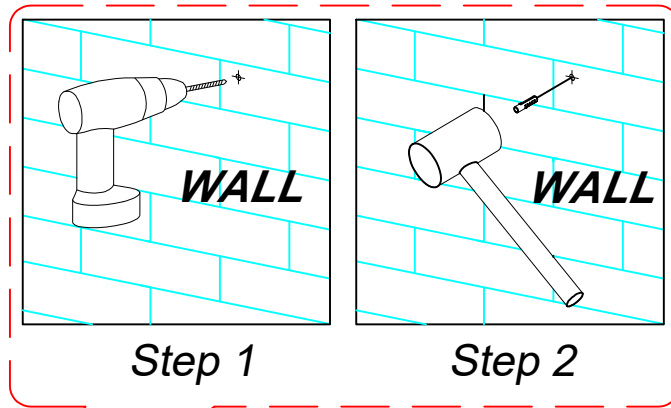
## STEP 13

### TIPPING RESTRAINT HARDWARE



**Note:** We have included two Tipping Restraint Hardware set for this Unit. When properly installed, this restraint can provide protection against the unexpected tipping of the Unit due to small tremors, bumps or climbing. We strongly recommend mounting this hardware to a wall stud and your Unit.

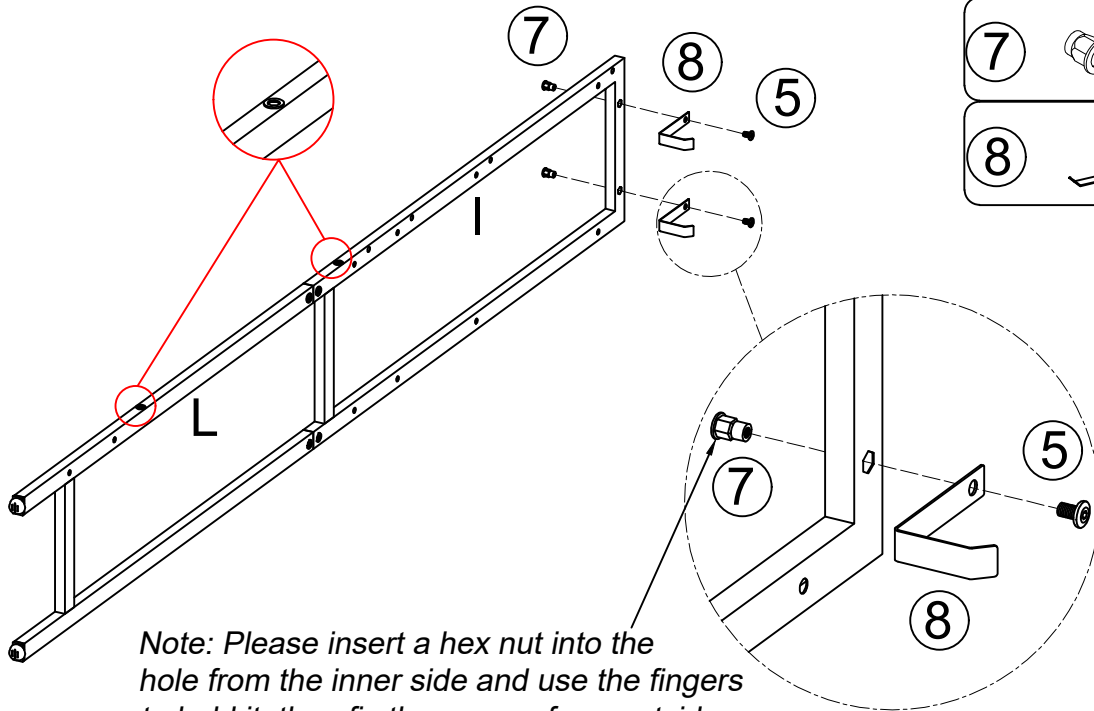
**Note:** You must install the Tipping Restraint Hardware with the unit in use to prevent any accidents or damage to the unit.






# Option B

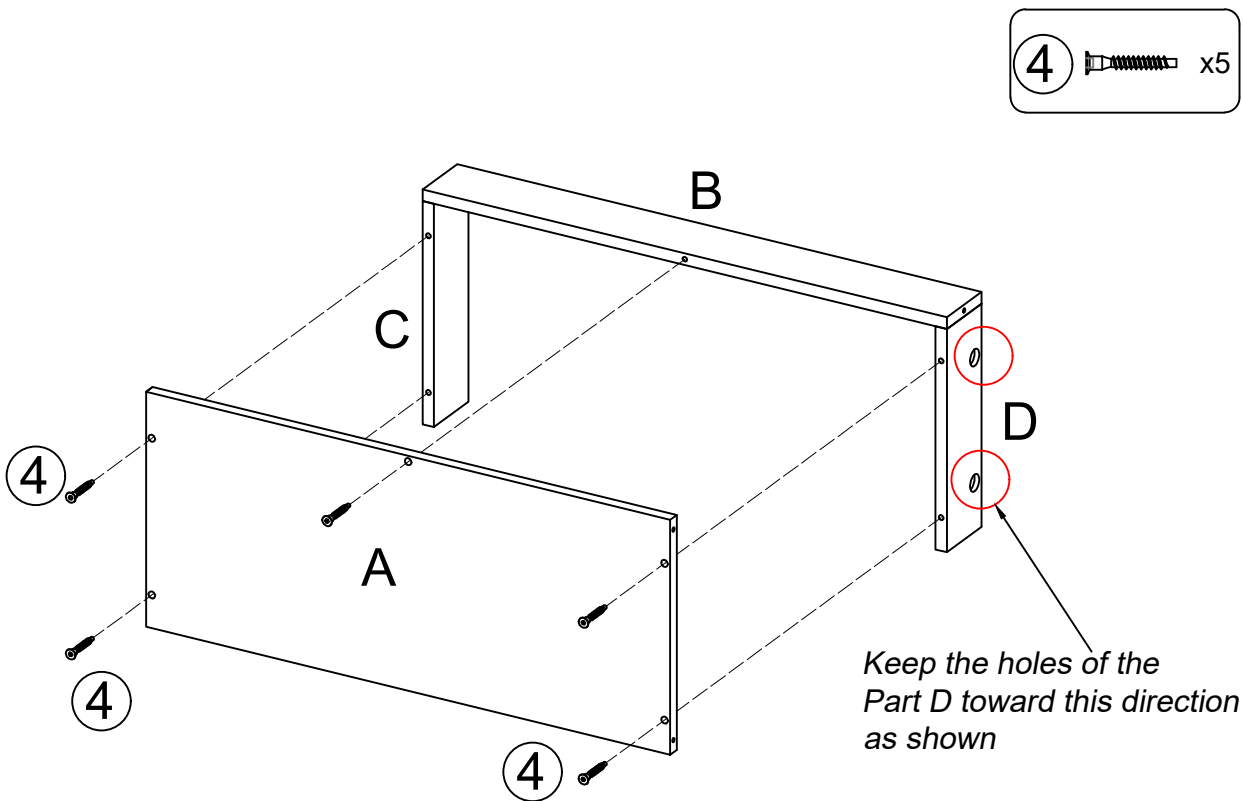
## STEP 7


Keep the holes of the Part I and Part L toward this direction as shown.



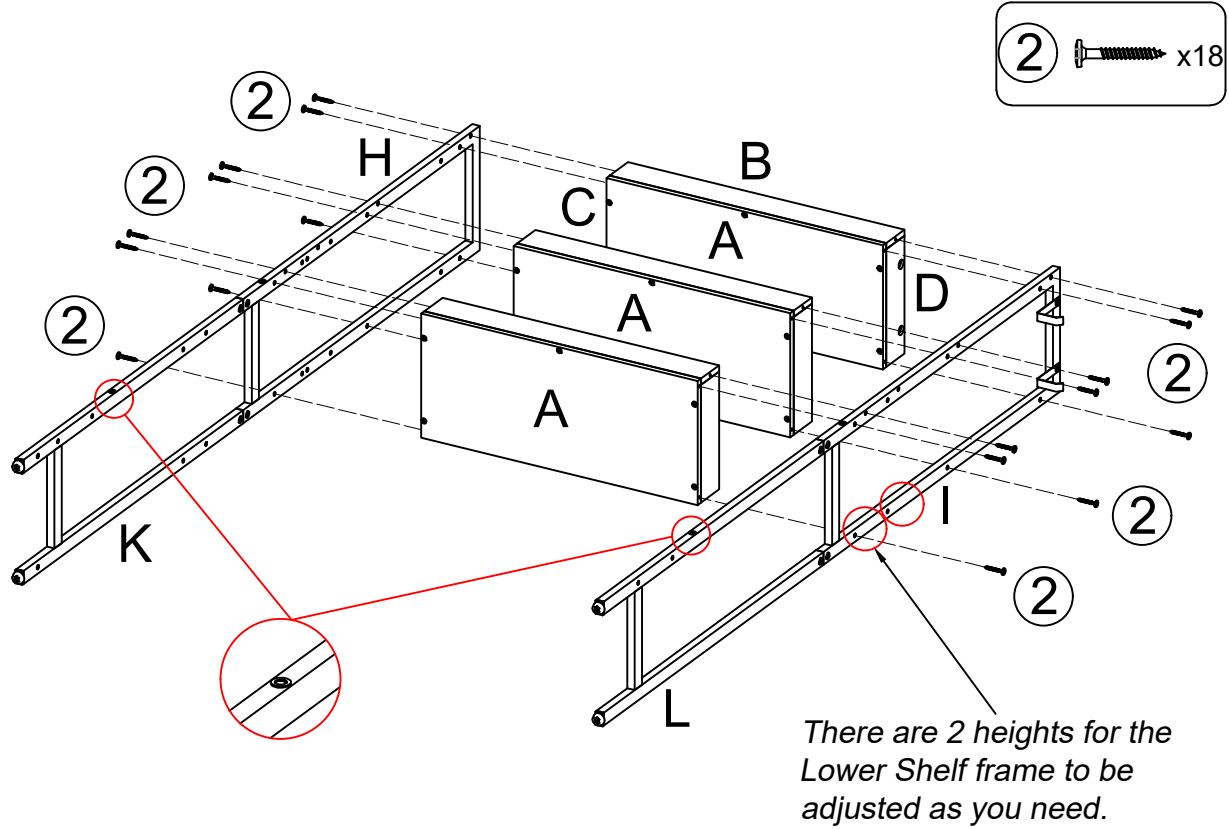
- 5  x2
- 7  x2
- 8  x2

## STEP 8

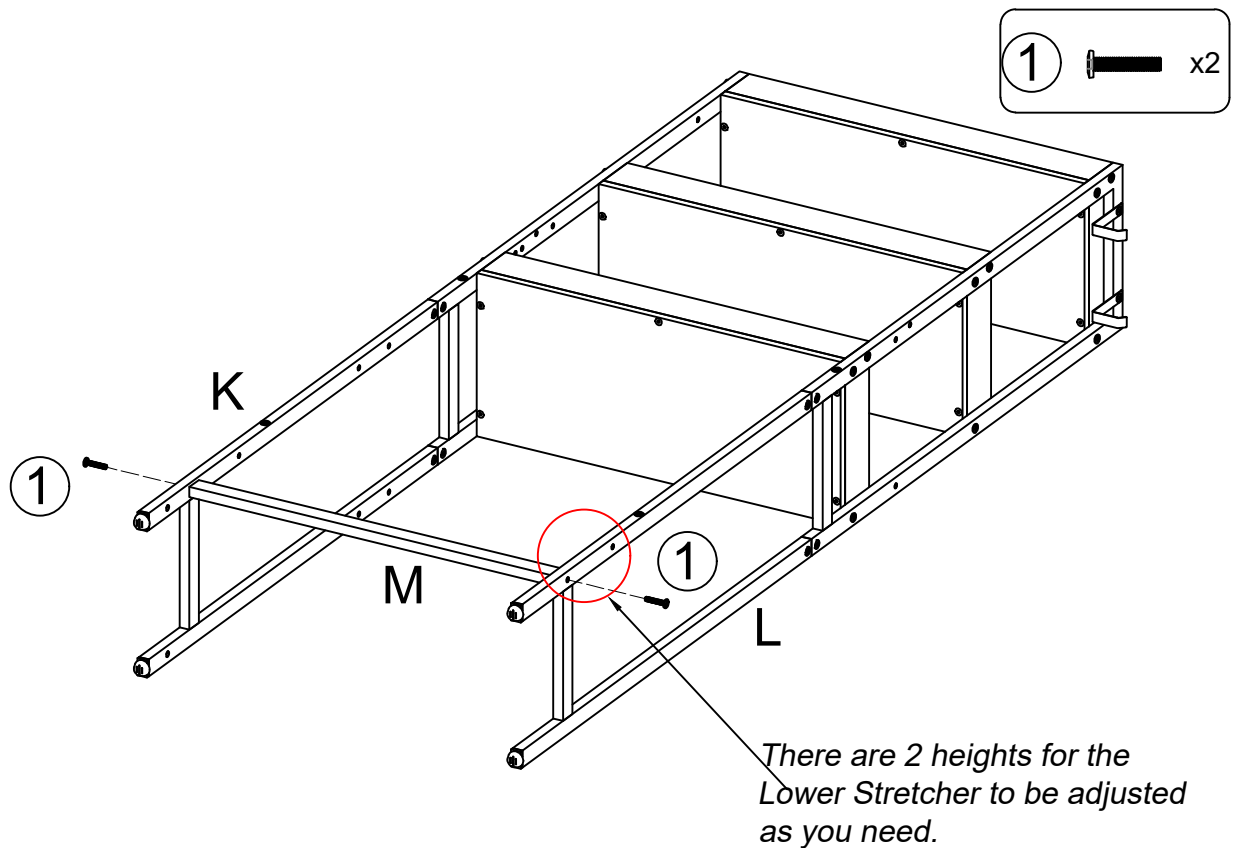


- 4  x5

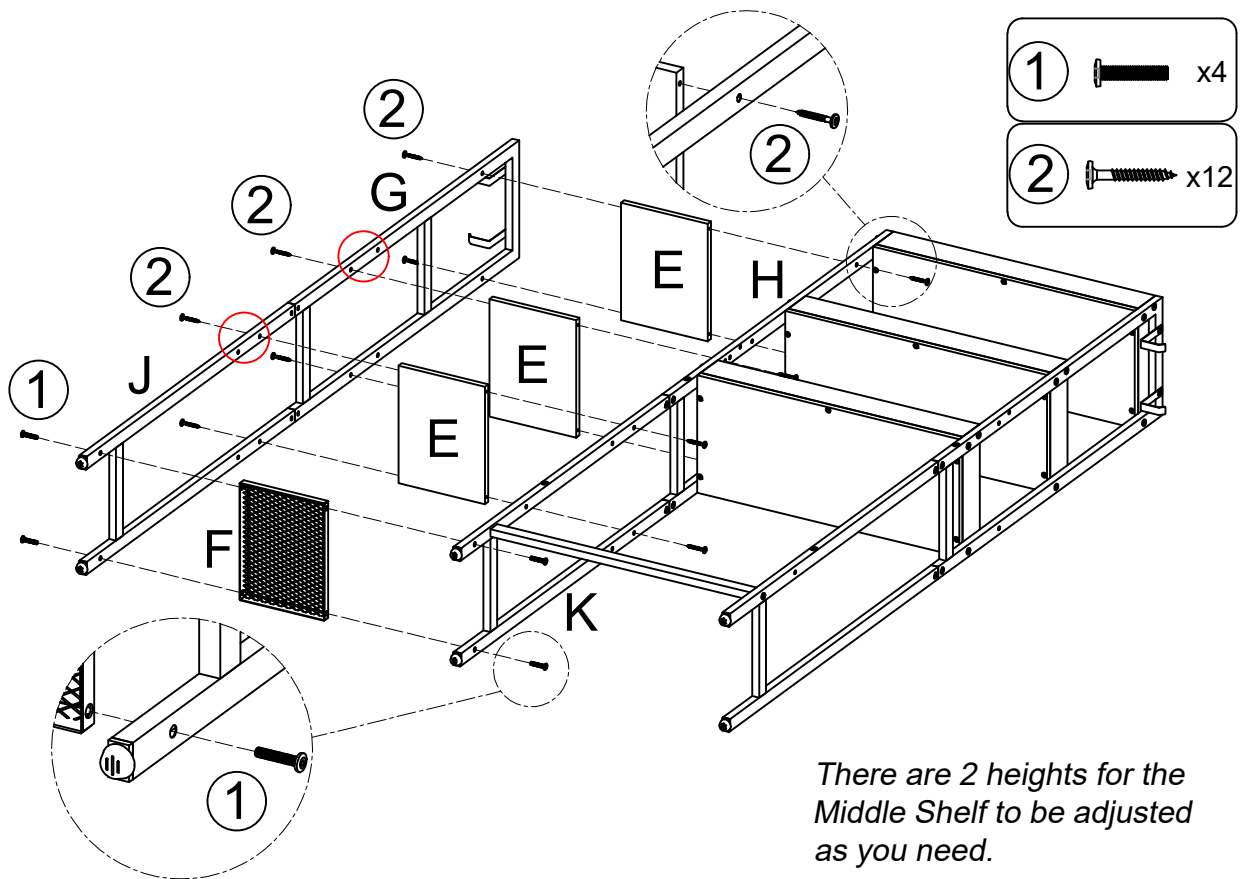
### STEP 9



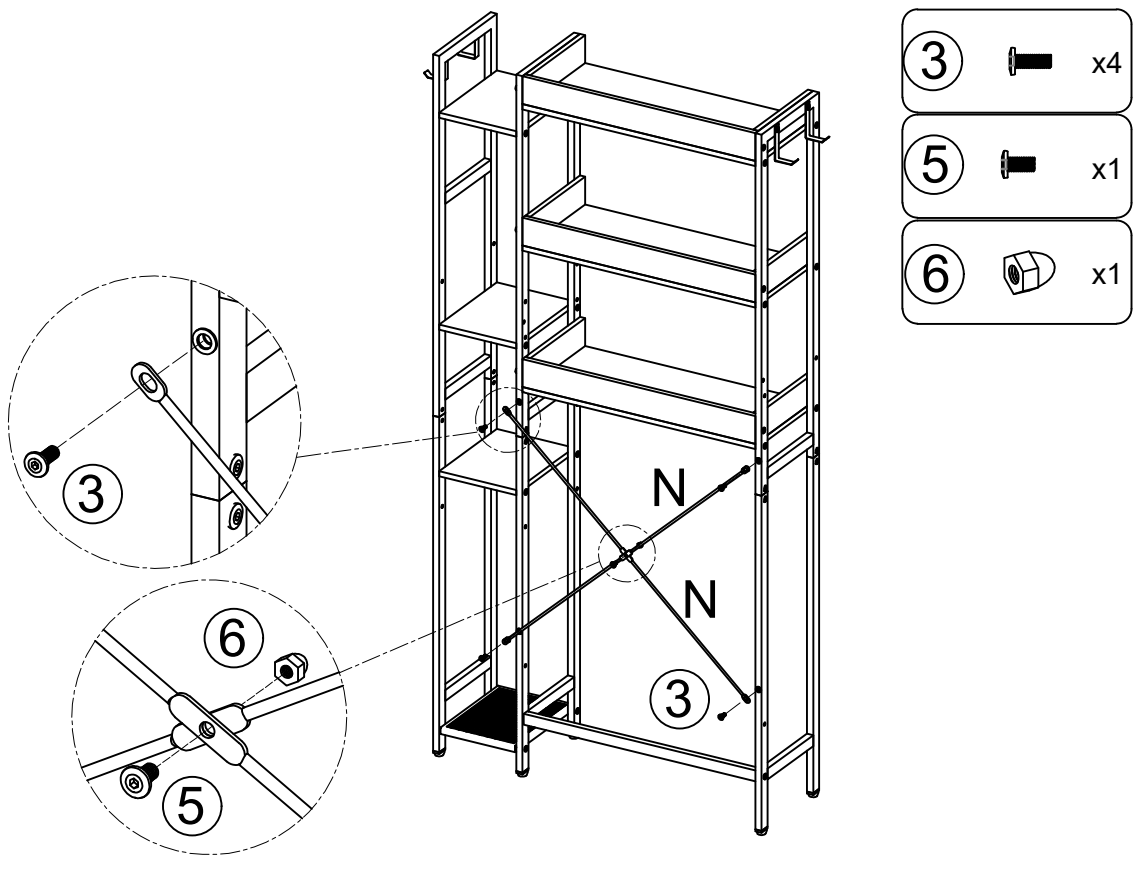
### STEP 10



### STEP 11

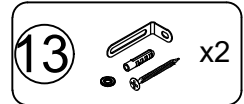


### STEP 12



## STEP 13

### TIPPING RESTRAINT HARDWARE



**Note:** We have included two Tipping Restraint Hardware set for this Unit. When properly installed, this restraint can provide protection against the unexpected tipping of the Unit due to small tremors, bumps or climbing. We strongly recommend mounting this hardware to a wall stud and your Unit.

**Note:** You must install the Tipping Restraint Hardware with the unit in use to prevent any accidents or damage to the unit.

