

Wheeled Computer Cart



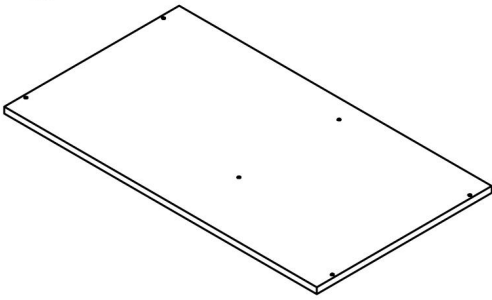
Special Instructions

- Please confirm all parts present before beginning assembly.
- Recommended two people for assembly.
- Do NOT over tighten the hardware.
- As you go to tighten the pieces together, it is recommended you go back periodically throughout the installation to retighten some of the screws if need be.

Parts List

Parts are numbered accordingly.

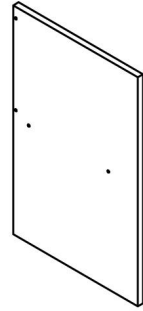
①



②



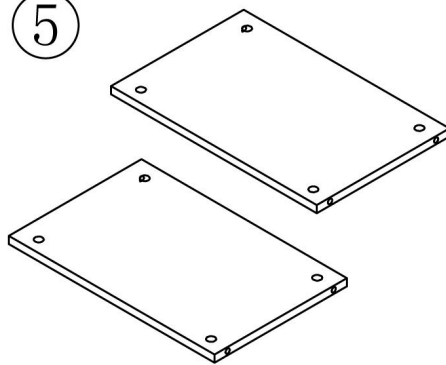
③



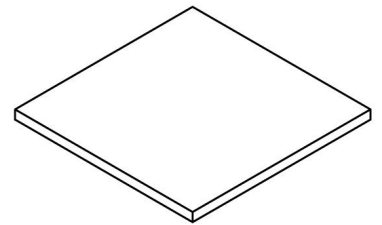
④



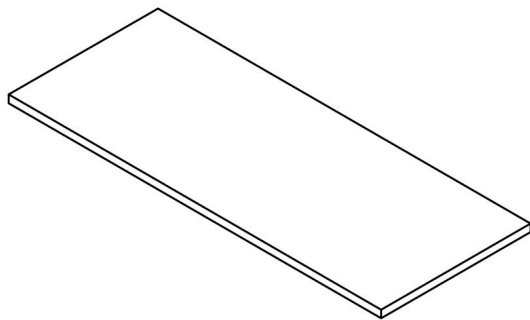
⑤



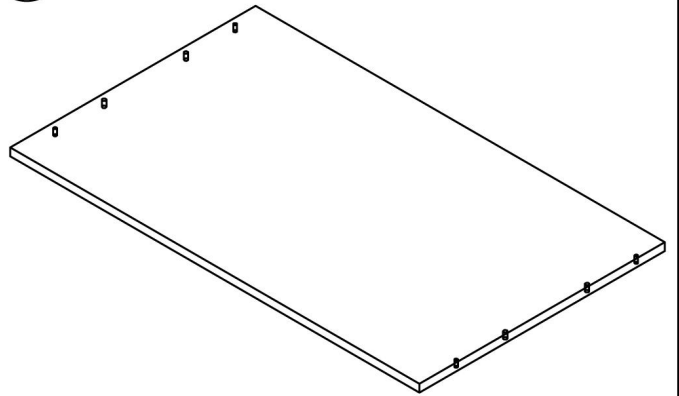
⑥



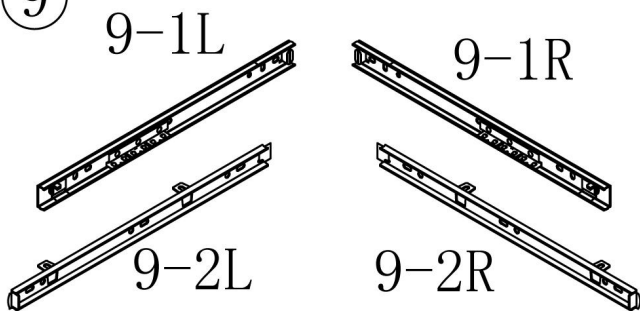
⑦



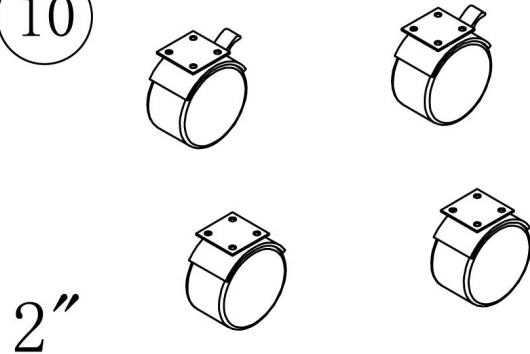
⑧

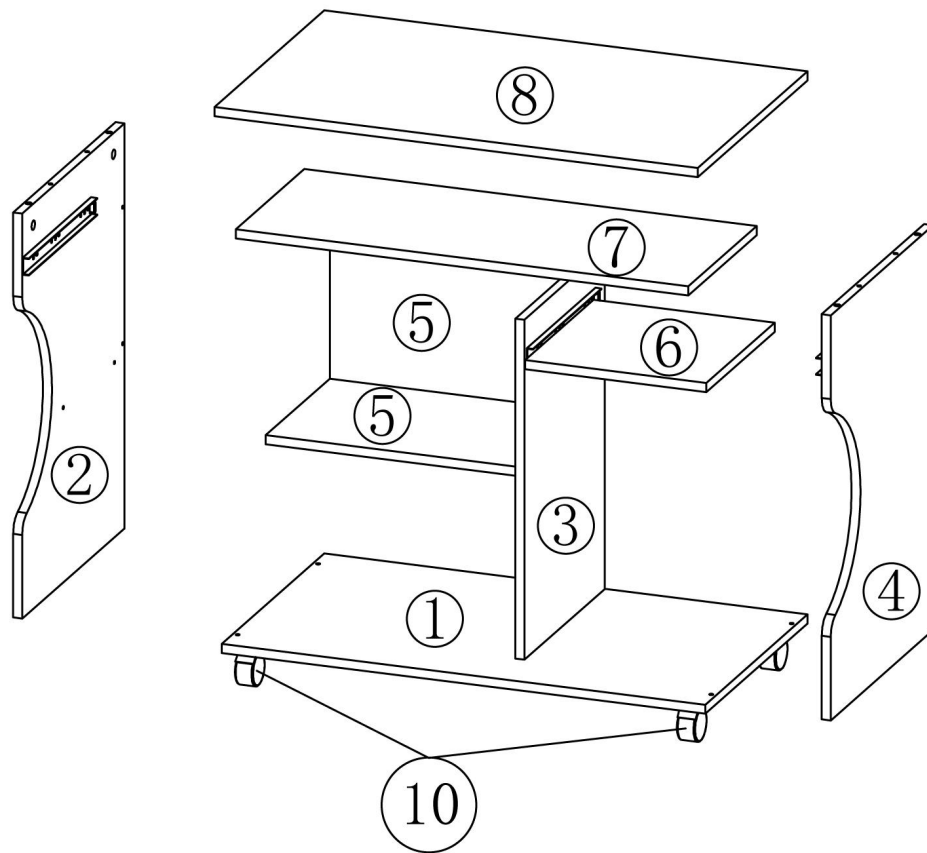


⑨






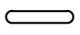

⑩



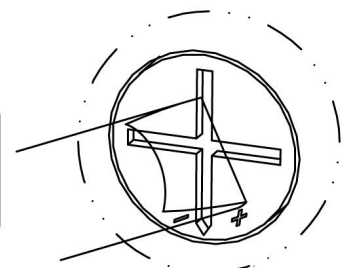
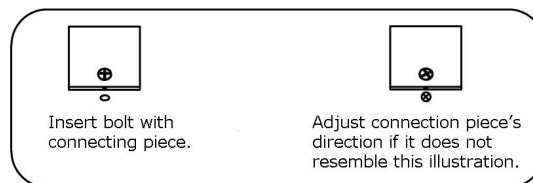
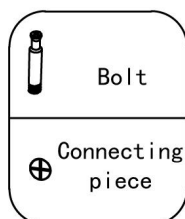


Parts for hardware

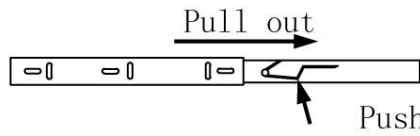
PART.	ITEM.	QTY.	
A	M3.5X14	32	
B	M5*45	12	

PART.	ITEM.	QTY.	
C	M5X40	6	
D	φ6*40	4	
E			

Example for installing the bolt and connecting piece



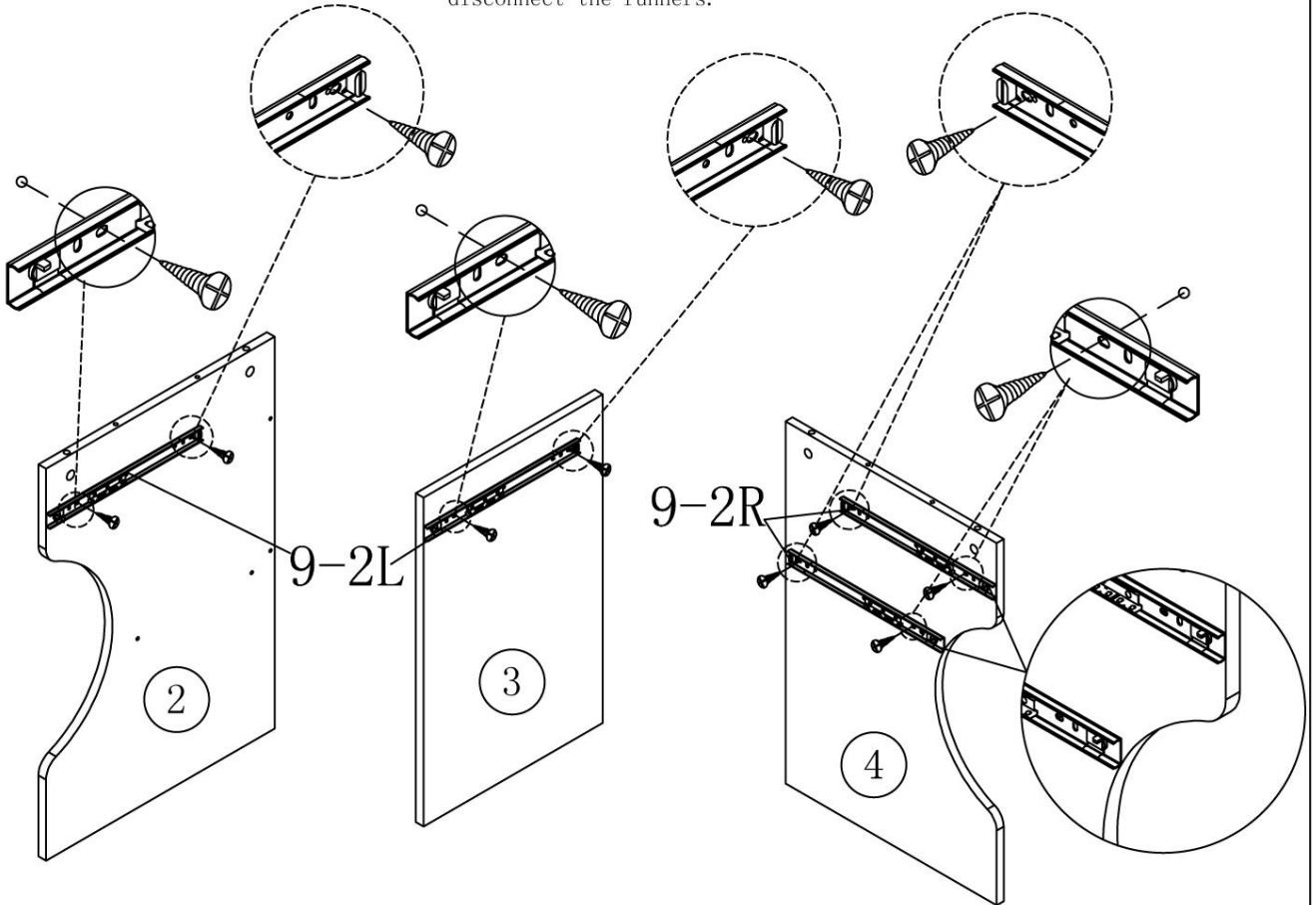
1



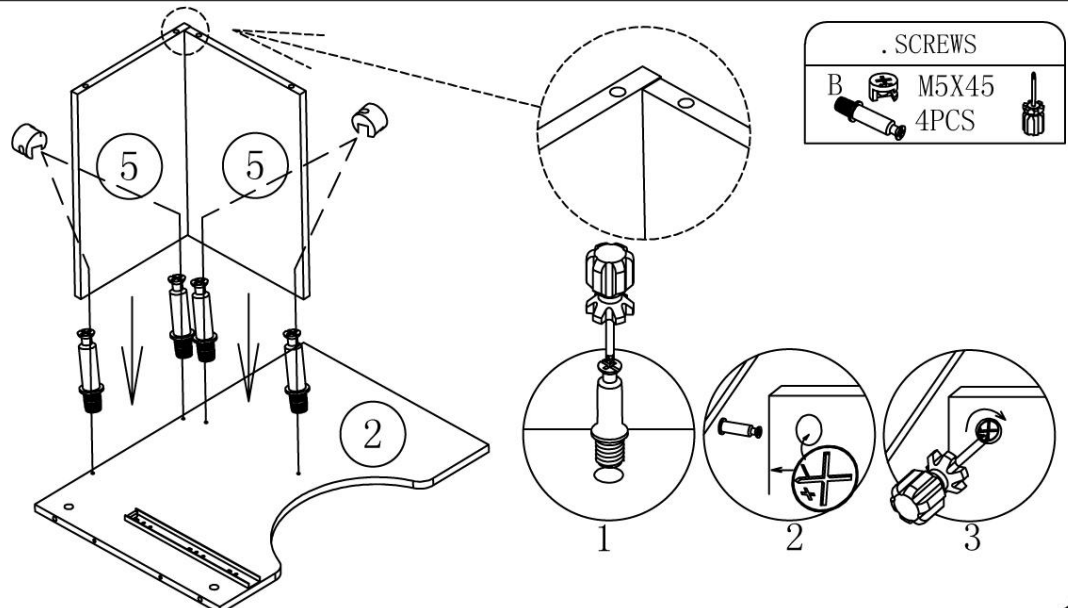
. SCREWS

A	M3. 5X14	
	8PCS	

Disconnect the keyboard rail with the BLACK PLASTIC PART. It needs to be pulled down to disconnect the runners.



2



. SCREWS

B	M5X45	
	4PCS	

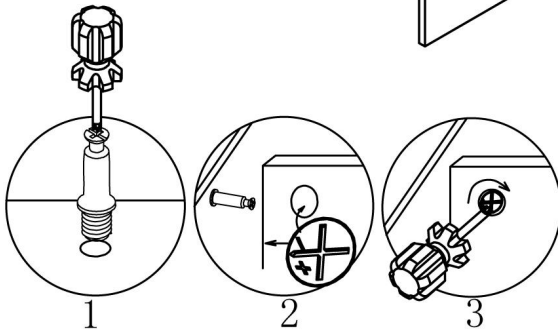
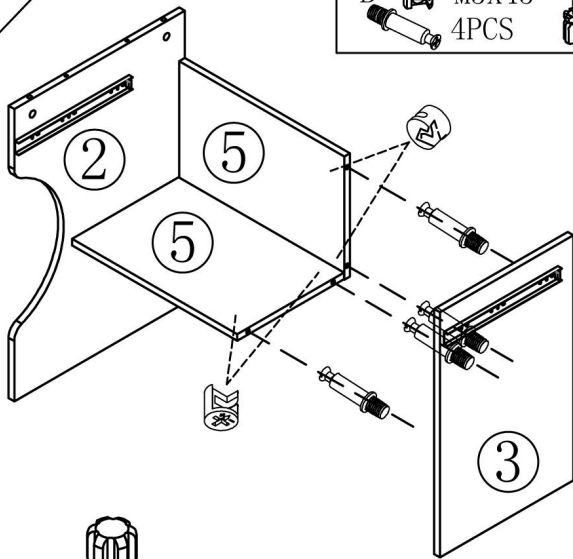
1

2

3

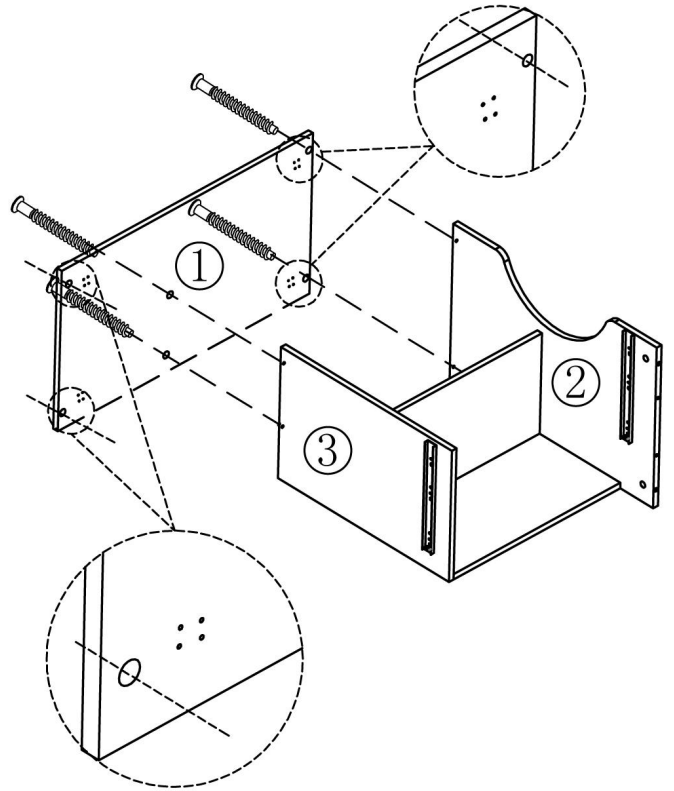
3

. SCREWS

B M5X45
4PCS

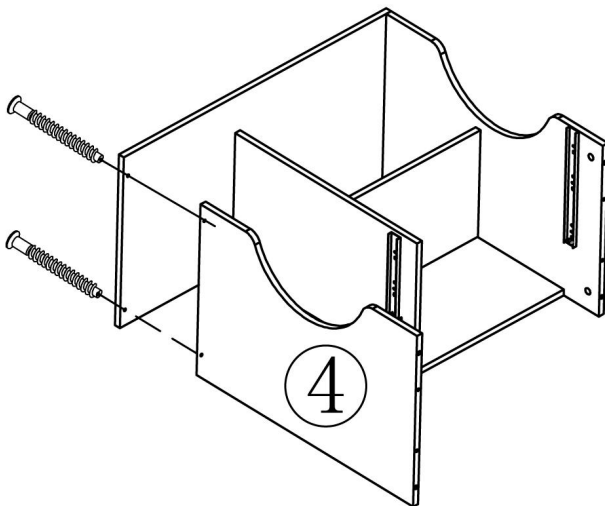
4

. SCREWS

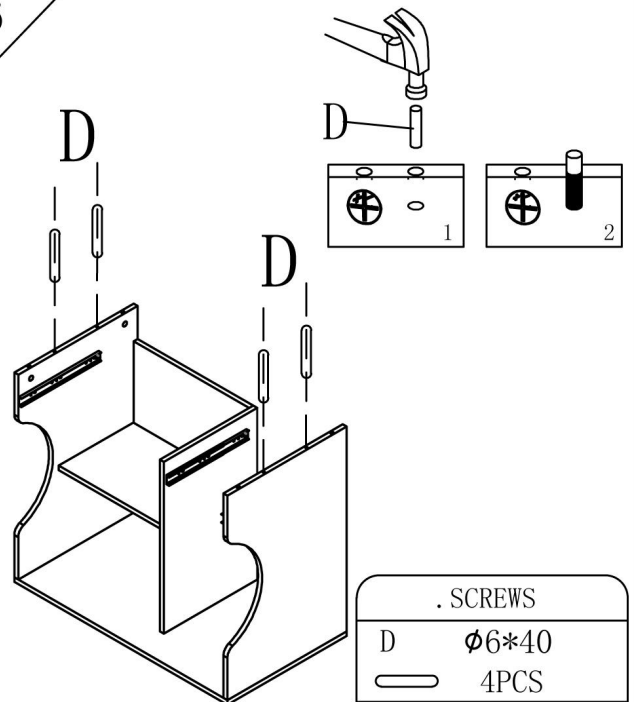
C M5X40
4PCS

5

. SCREWS

C M5X40
2PCS

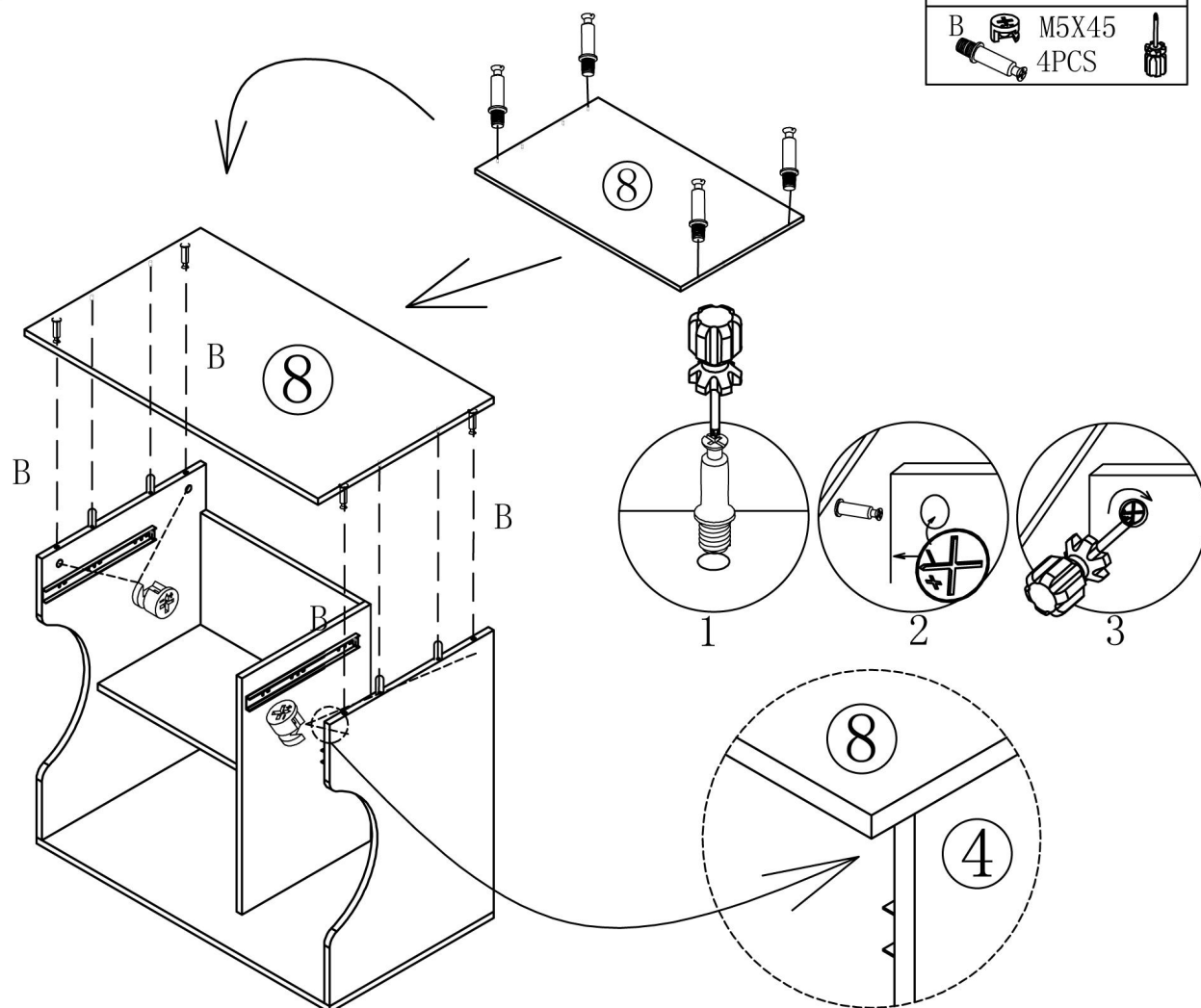
6



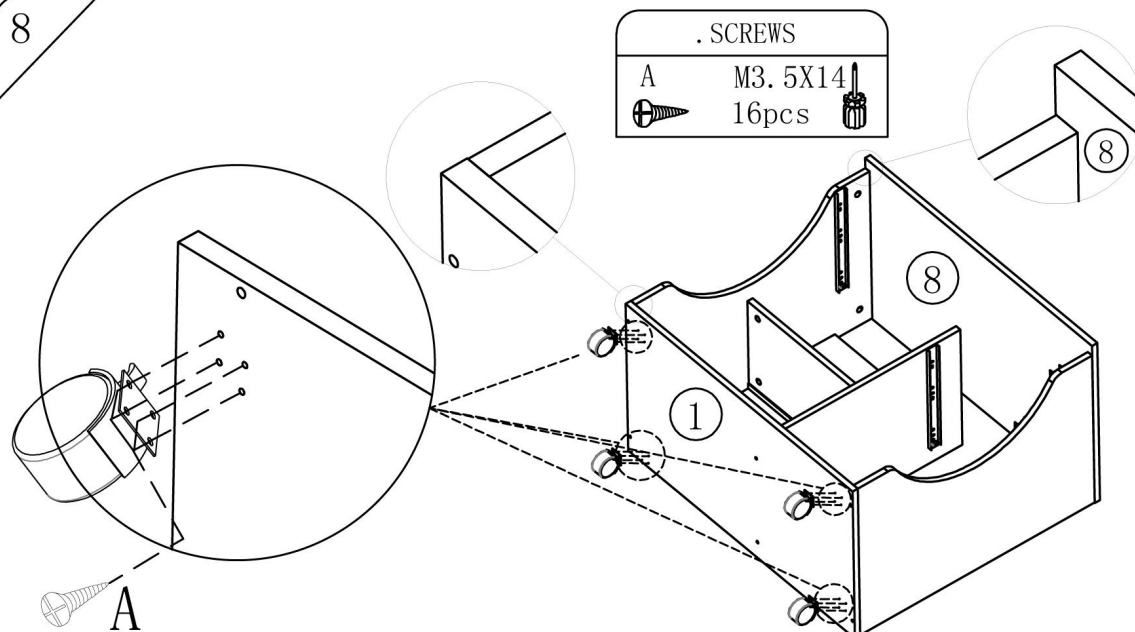
. SCREWS

D $\phi 6*40$
4PCS

7

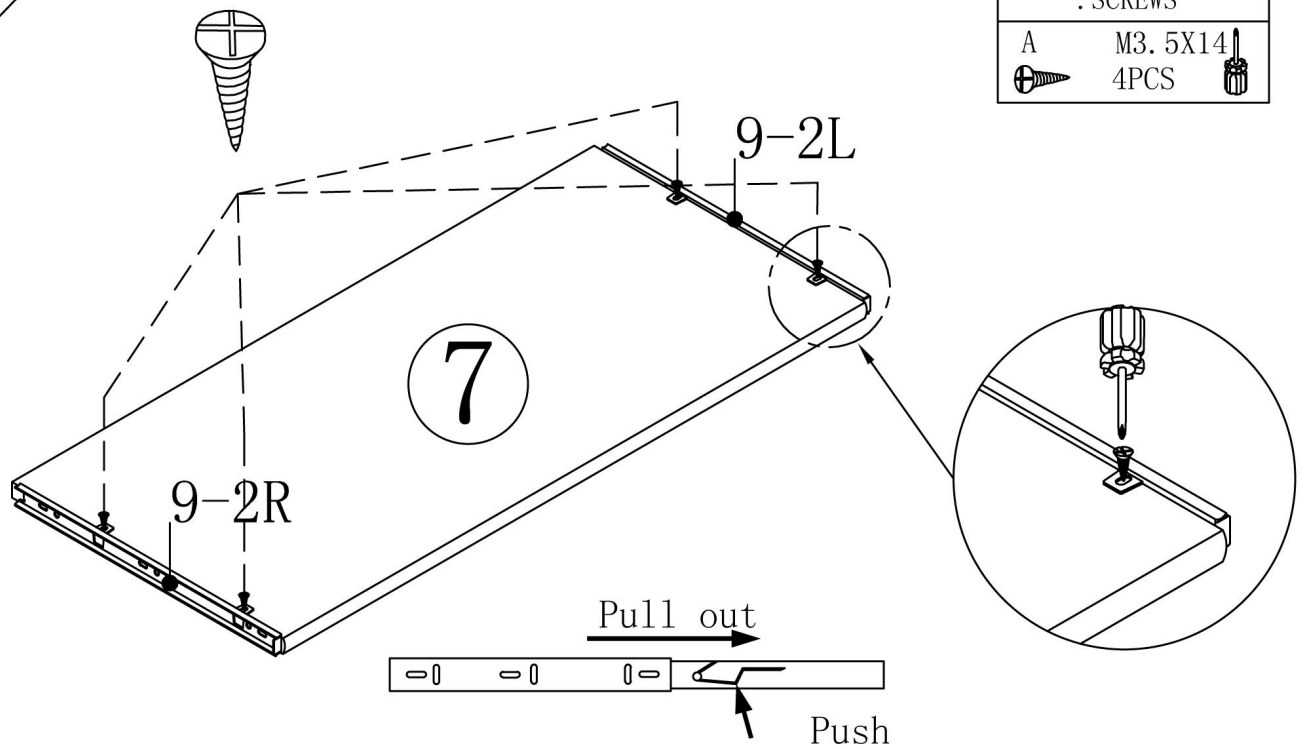


8



* The bottom side of Panel #1 haven't preset holes for 4 wheels.
The user can fix 4 wheels with screw A & screw driver.

9

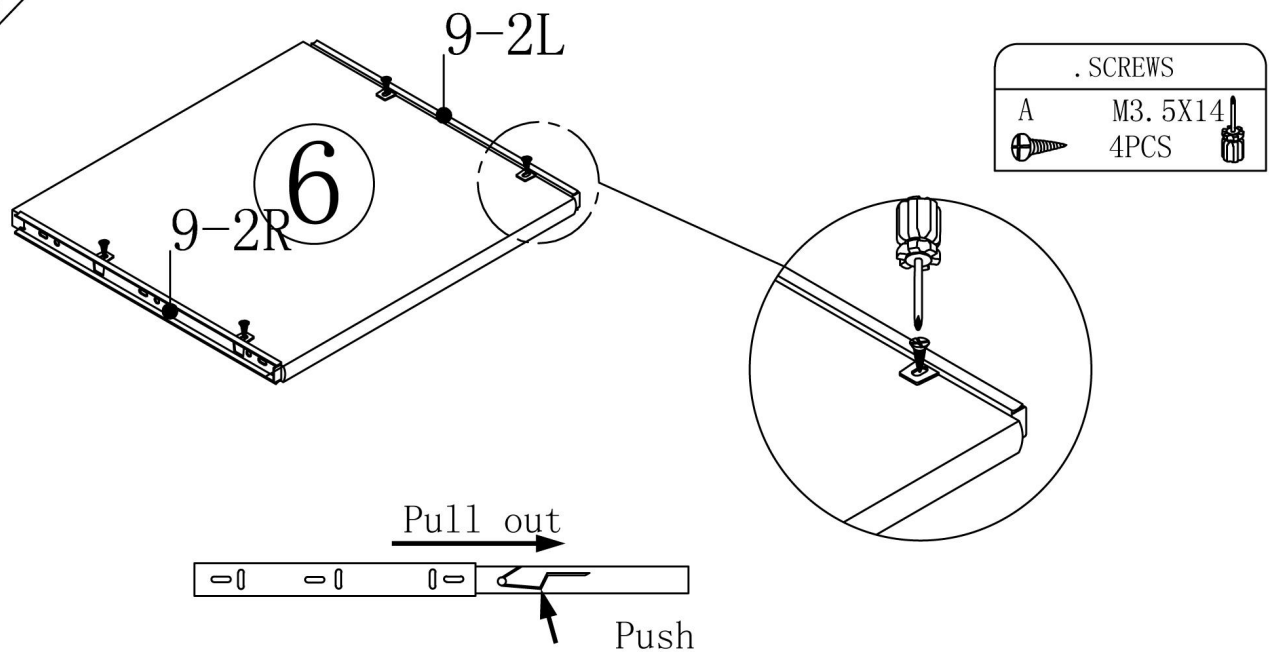


. SCREWS

A	M3. 5X14		
	4PCS		

Disconnect the keyboard rail with the BLACK PLASTIC PART. It needs to be pulled down to disconnect the runners.

10

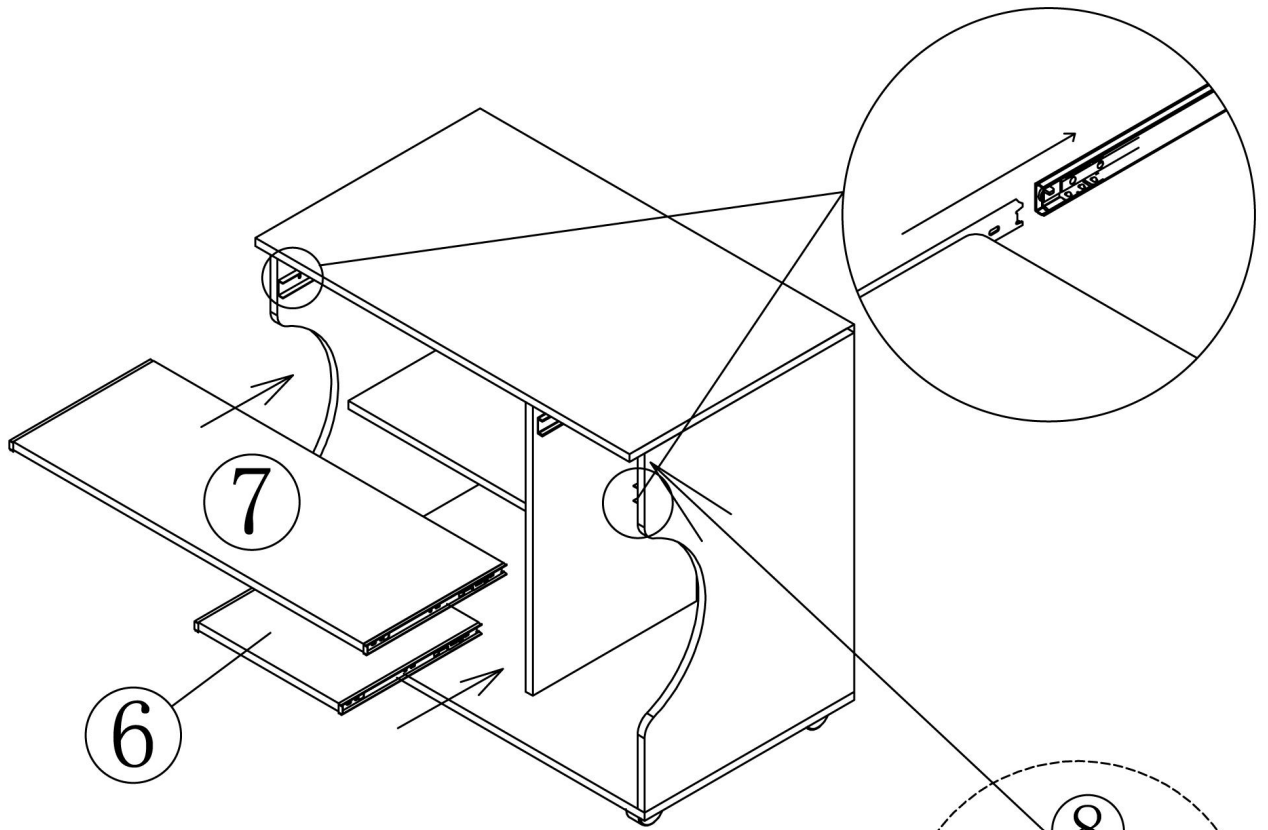


. SCREWS

A	M3. 5X14		
	4PCS		

Disconnect the keyboard rail with the BLACK PLASTIC PART. It needs to be pulled down to disconnect the runners.

11



12

