

Barber Chair

Instruction Manual

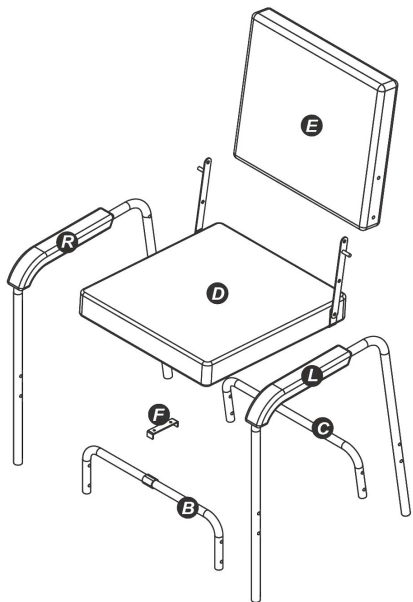
COLOR: Black

1 Tools required
A Phillip head screwdriver & M8 Allen key or Flower tools is required for the assembly of this product. (not included)

2 1 person is needed

3 Take 20 minutes

1.1 Feature and Specification



Preinstalled Accessories

Parts Code	Where to find	Parts Name	Qty(Pcs)
a	Preinstalled on E	M8*25 Bolt round head	4

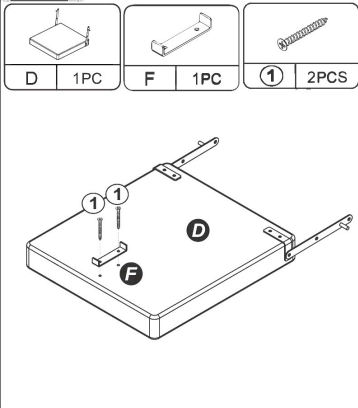
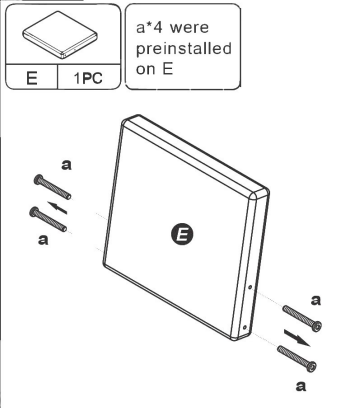
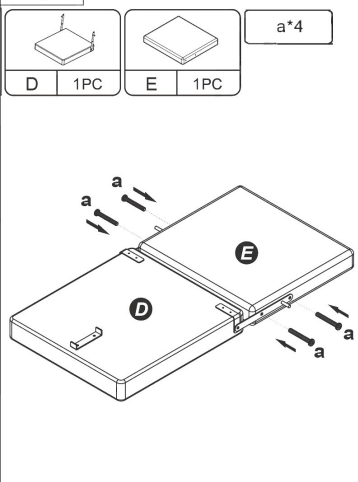
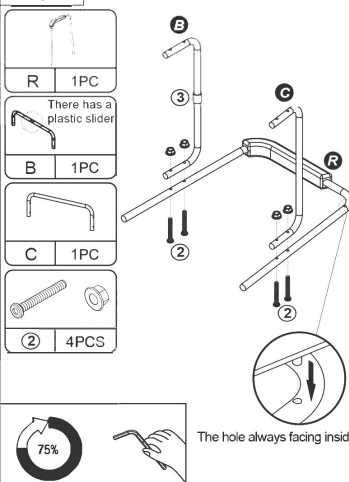
Main Parts

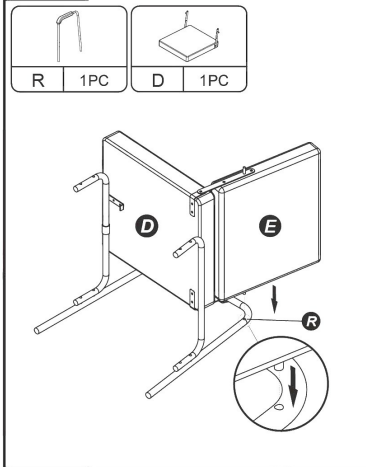
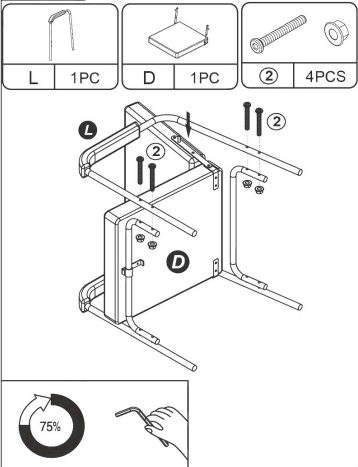
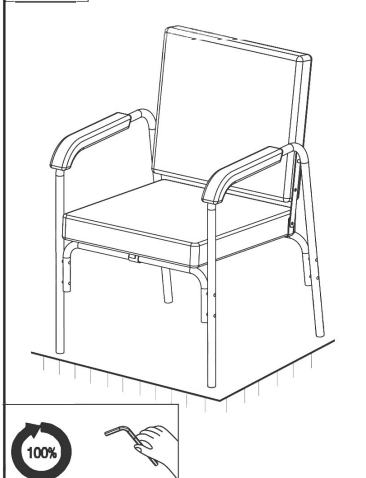
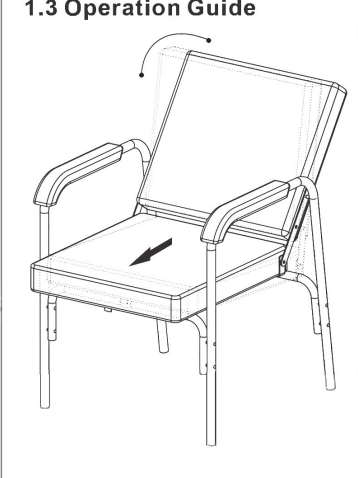
Parts Code	Image	Parts Name	Qty(Pcs)
R		Right Armrest	1
L		Left Armrest	1
B		Front support rod	1
C		Back support rod	1
D		Seat	1
E		Backrest	1
F		Slide Rail	1

Accessory Kit(Packed In a Small Bag)

Parts Code	Image	Parts Name	Qty(Pcs)
1		M4*25 Tapping screw	2
2		M8*50 Bolt Round head & M8 Nut	8
3		Spare Parts for Plastic Slider	2
4		Tools	1

1.2 Installation Diagram

Step 1	Step 2
	 <p>a*4 were preinstalled on E</p>
Step 3	Step 4
	 <p>There has a plastic slider</p> <p>The hole always facing inside</p>

Step 5	Step 6
	
Step 7	1.3 Operation Guide
	

1.4 Trouble and Solution

No.	Trouble	Solution
1	Chair can not reclining	Sit on the Chair and lean back with your own gravity, chair will recline to the backward. Please see the image of 1.3 Operation Guide in Page 4.
2	Armrest can not be installed	Please see the step 4 of 1.2 Installation Diagram on page 3 of the instruction manual. please use the hole position to distinguish the left or right armrest.(please see the image of part R & L of Main Parts in page 2.)
3	Other issues	If you have any other problems, please Email Our professional team will provided the technical support by pictures or videos.

1.5 Maintenance

No.	Maintenance Parts	Maintenance Method
1	Leather surface care	1.Avoid using hard objects to scratch the leather surface.Leaner fabrics are generally more durable, but can be easily scratched by sharp objects. 2.Leaner surfaces require regular monthly maintenance. Please use leaner hardener for maintenance. If the surface is stained with dye, perm, or other difficult-to-clean items, try wiping with a cotton cloth dipped in a little gasoline or seek professional help.

1.6 Customer Service

Any question or suggestion please feel free to contact our Customer Service Team