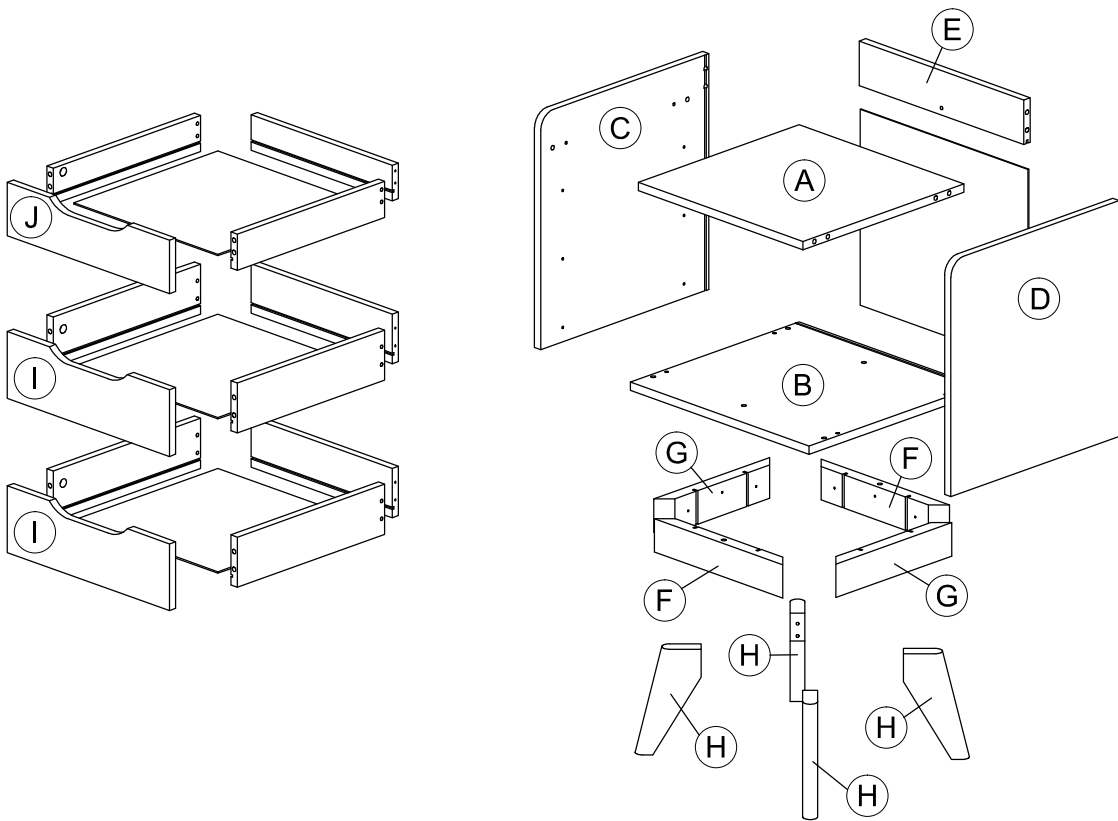


Assembly Instruction


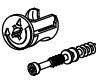









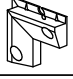




Part List



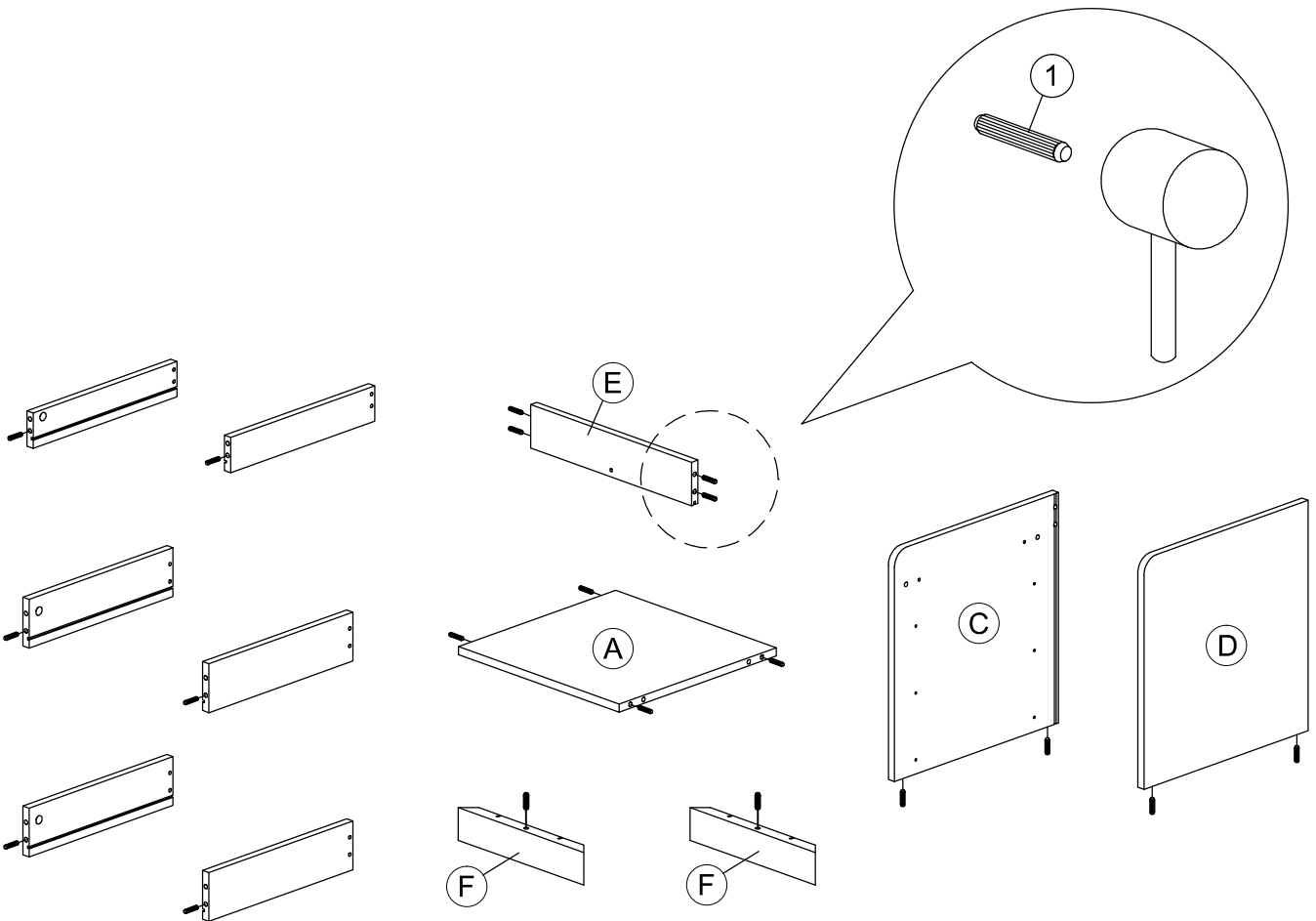
Assembly Instruction

Hardware List

No.	SHAPE	DESCRIPTION	Qty.
1		8x25mm Wood Dowel	20Pcs
2		15MM Myfix Minifix	10Sets
3		M5x8mm Screw (Euro Screw)	12Pcs
4		M3x16mm Screw	4Pcs
5		M3.5x15mm Screw	44Pcs
6		M4x38mm Screw	17Pcs
7		Jcbc 'W' M6 x 40mm	8Pcs
8		L Bracket	4 Pcs

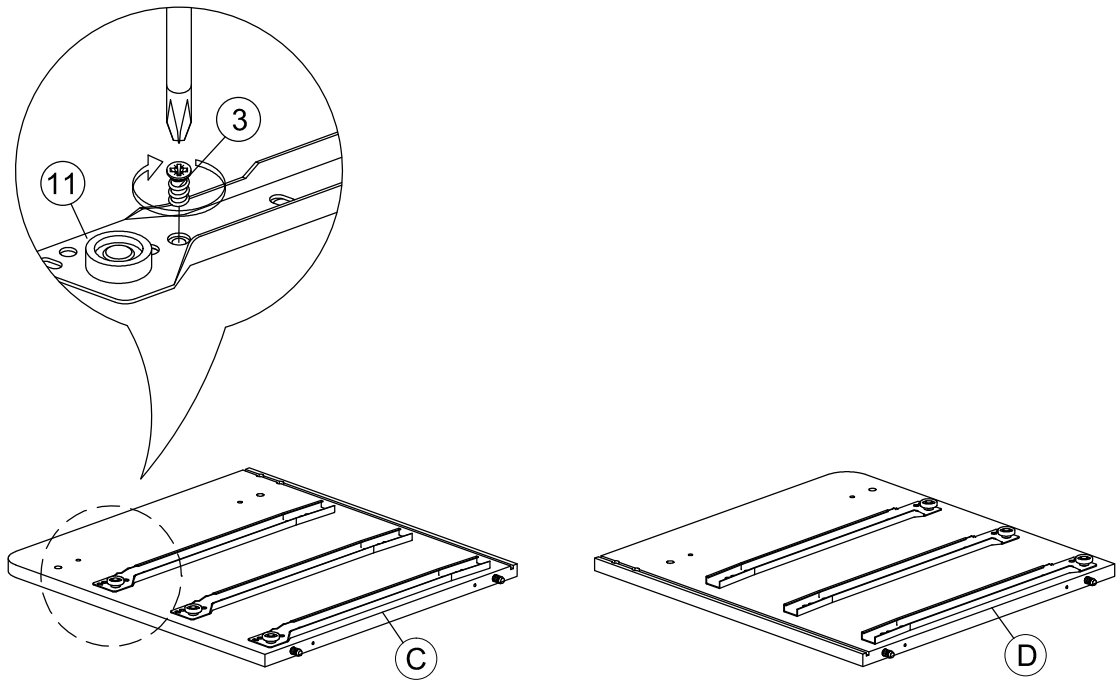
9		Nail Leg	4Pcs
10		Z Bracket (Big)	2Pcs
11		Metal Drawer Slide 14" (350mm)	3 Sets
12		Minifix Cap	6Pcs
13		Metal Corner Bracket	4Pcs
14		L Key	1Pc

STEP 1

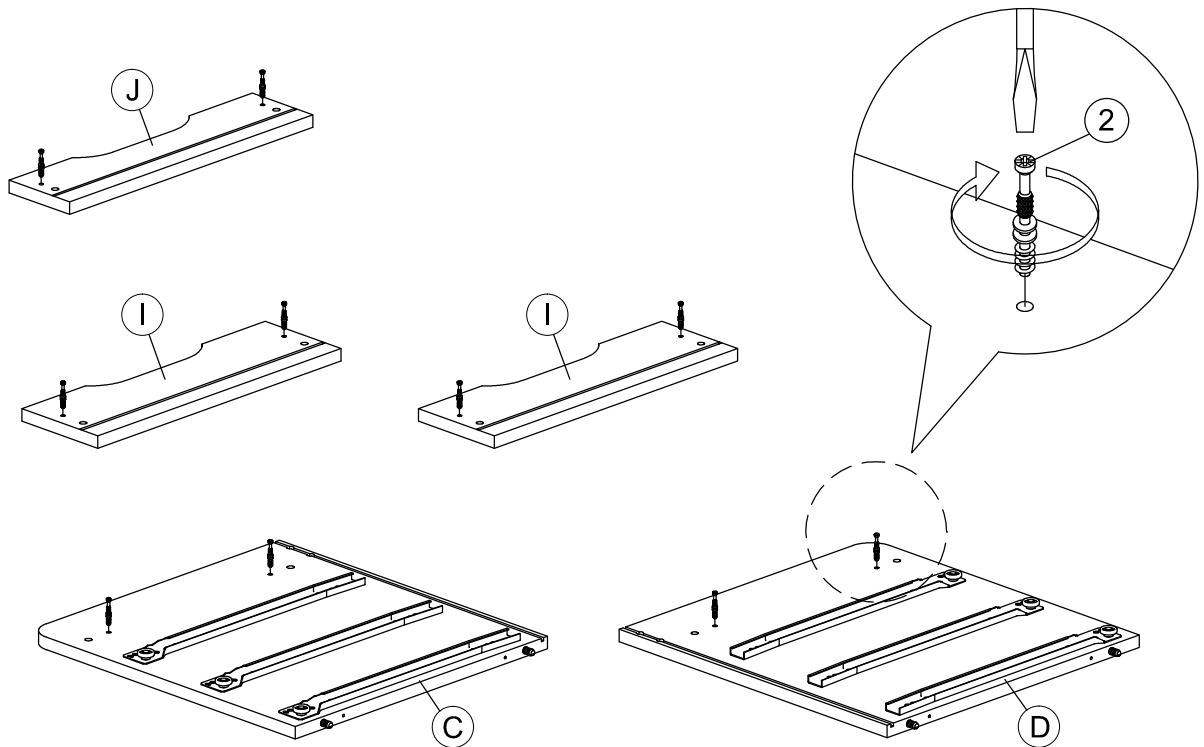


Assembly Instruction

STEP 2

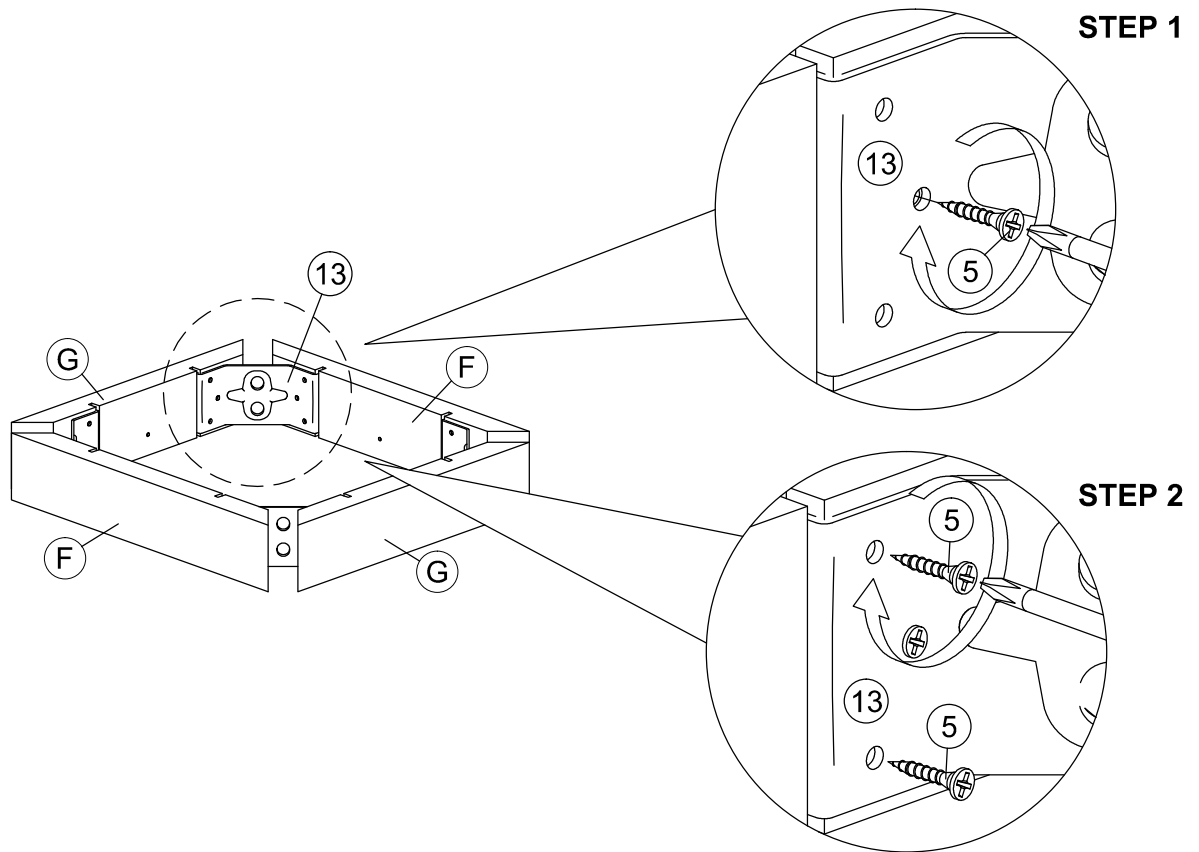


STEP 3

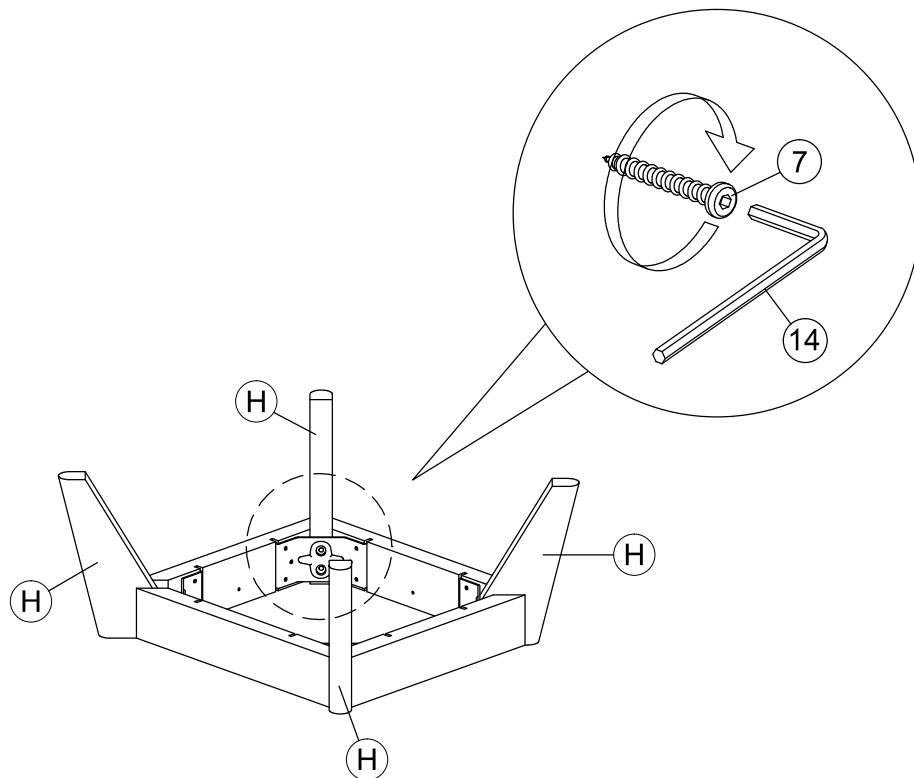


Assembly Instruction

STEP 4

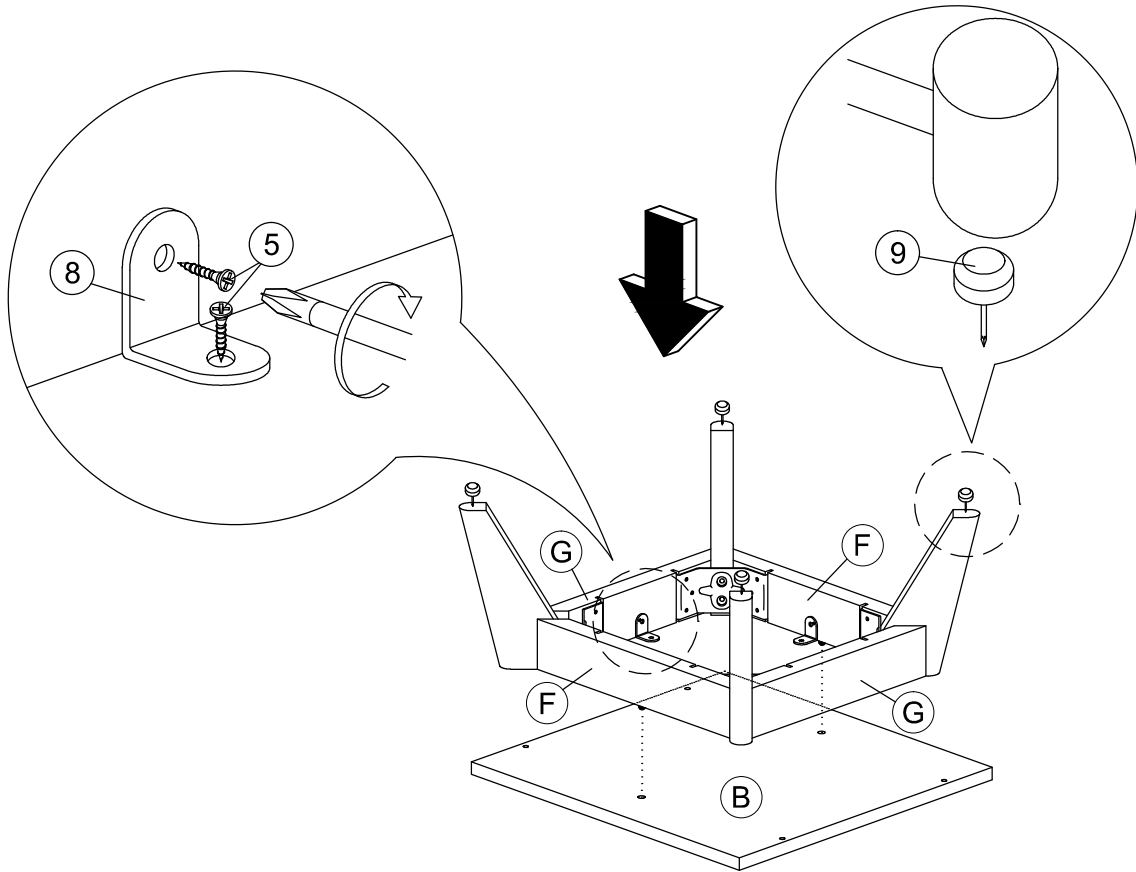


STEP 5

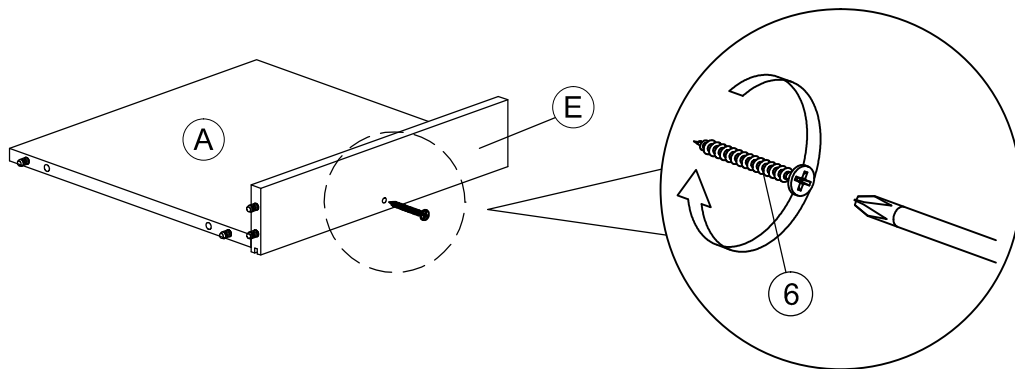


Assembly Instruction

STEP 6

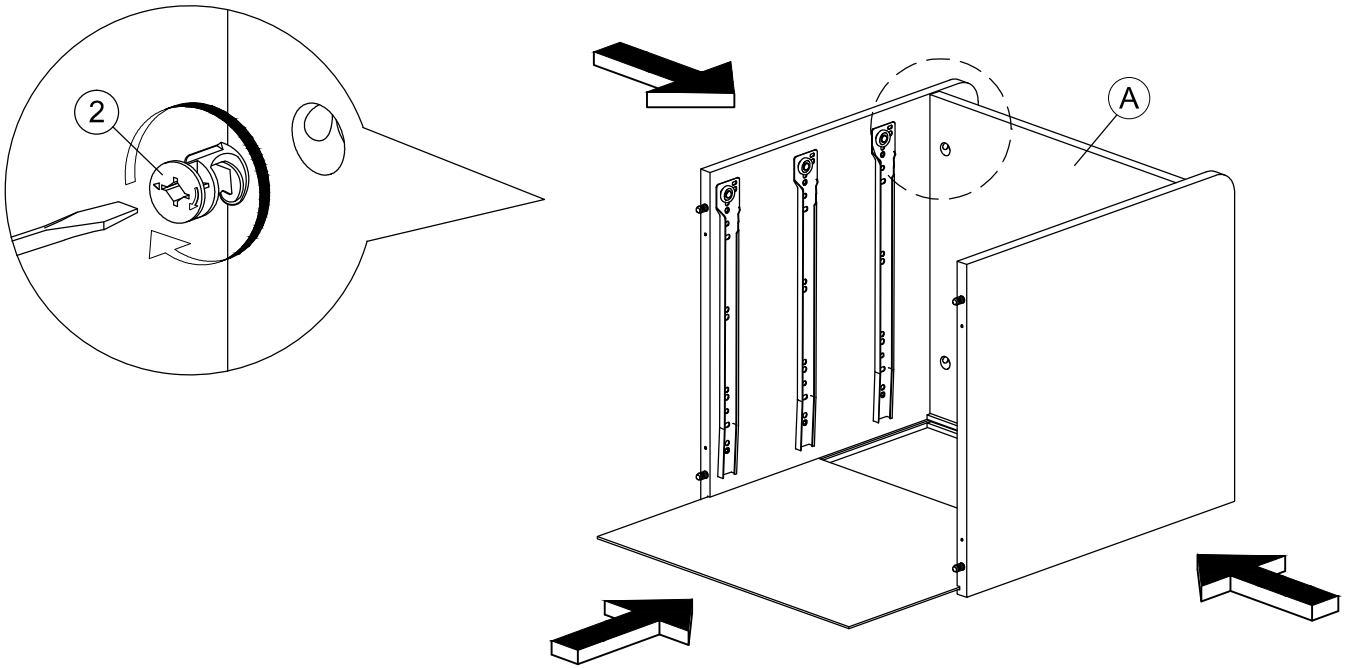


STEP 7

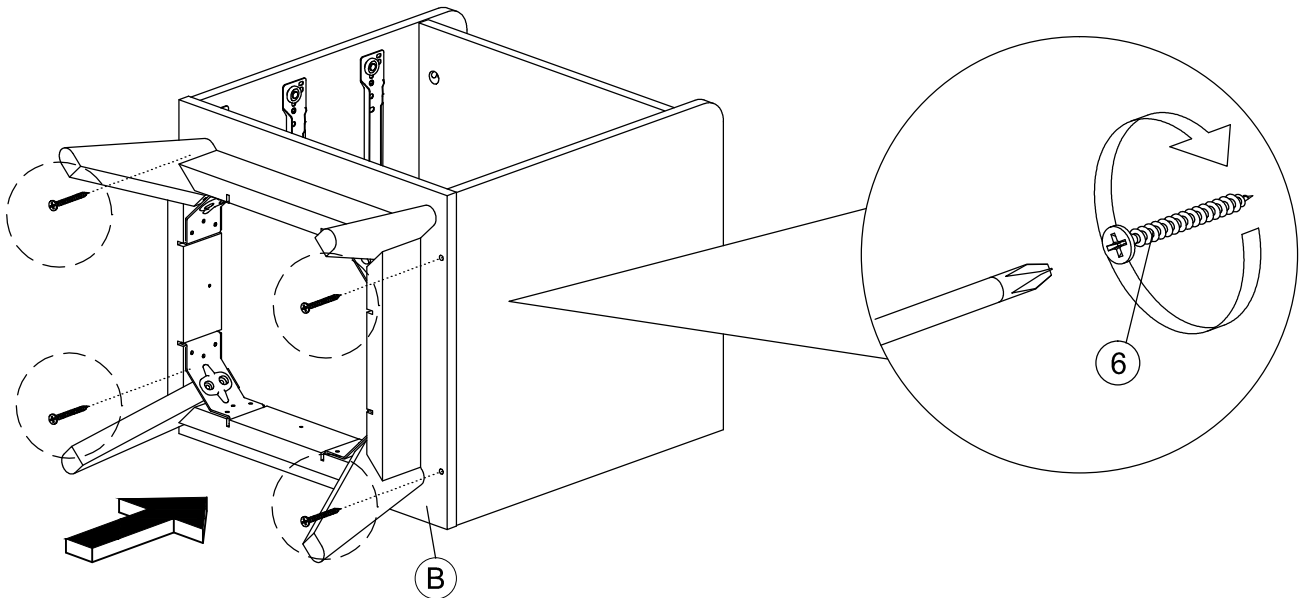


Assembly Instruction

STEP 8

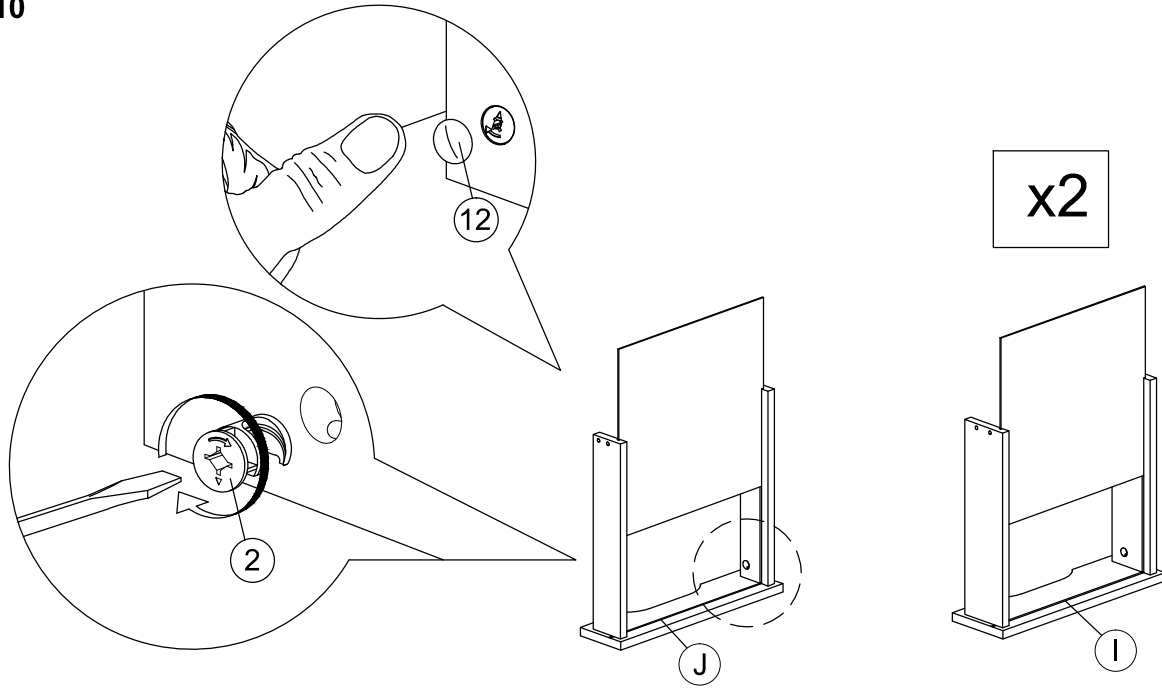


STEP 9

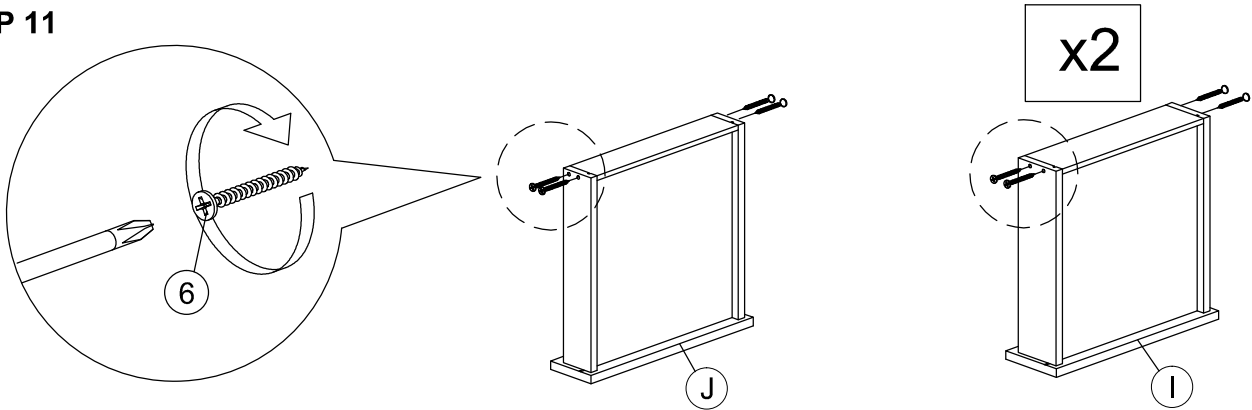


Assembly Instruction

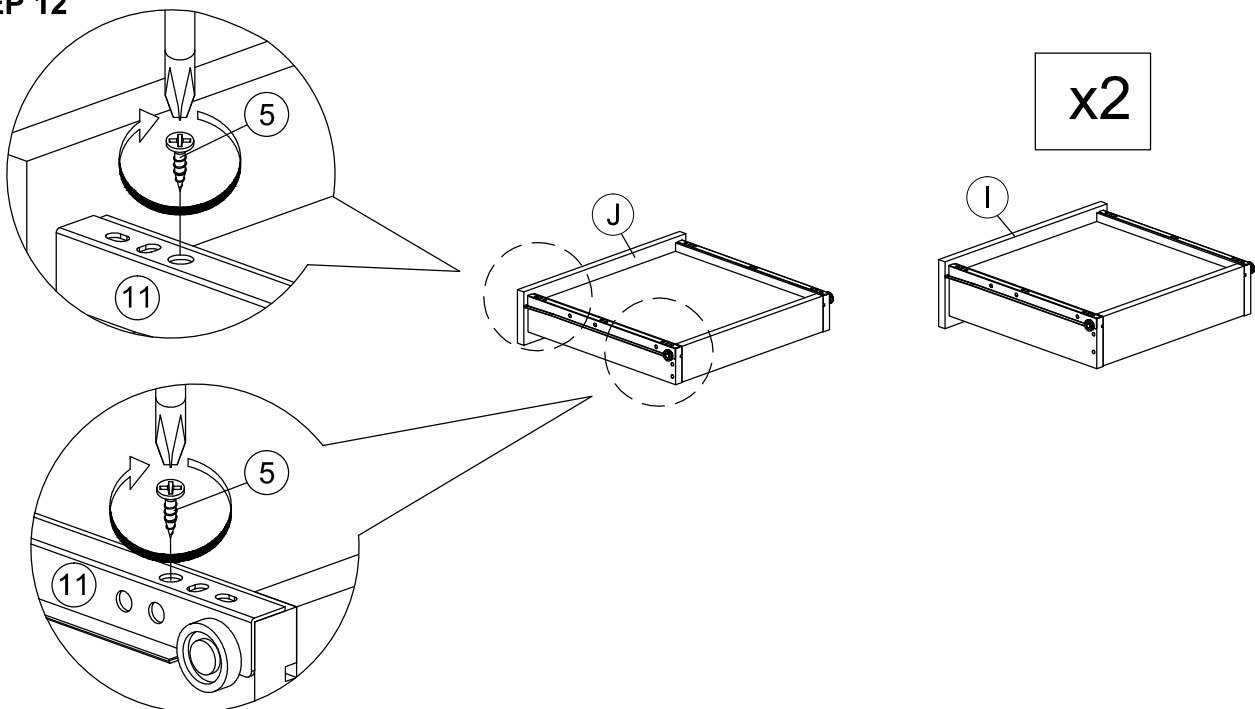
STEP 10



STEP 11

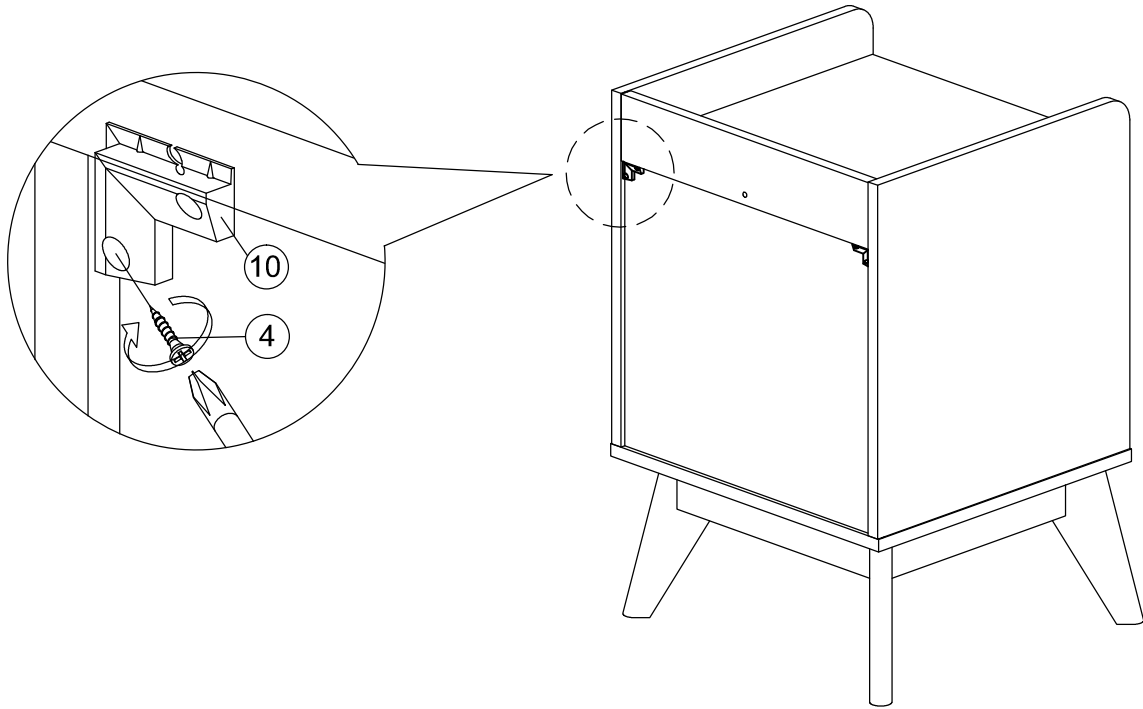


STEP 12



Assembly Instruction

STEP 13



STEP 14

