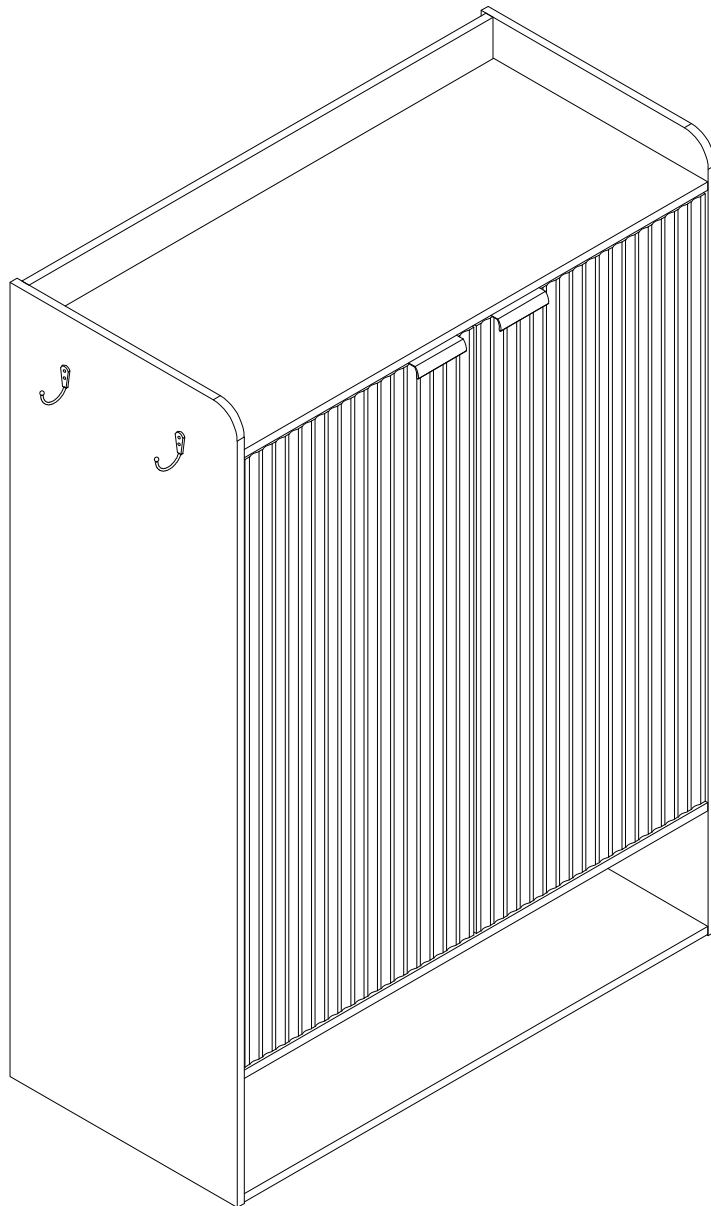




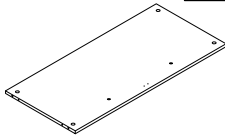
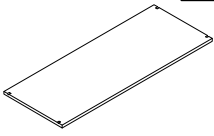
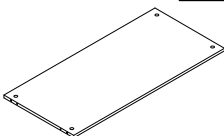
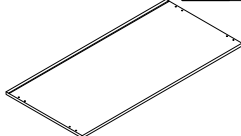
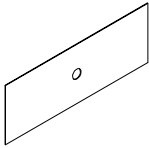
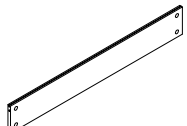
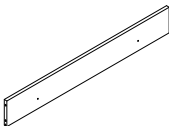

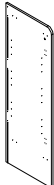


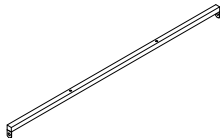
Thanks for purchasing from us. If you need tutorial videos, FAQs and more help, Please scan the QR code to get your after-sales service.

Contact us




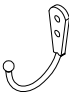
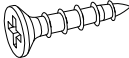
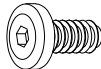


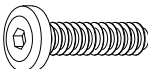
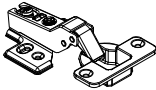
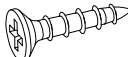
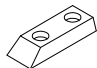
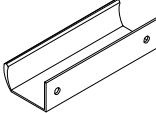







Email: service2025514@gmail.com

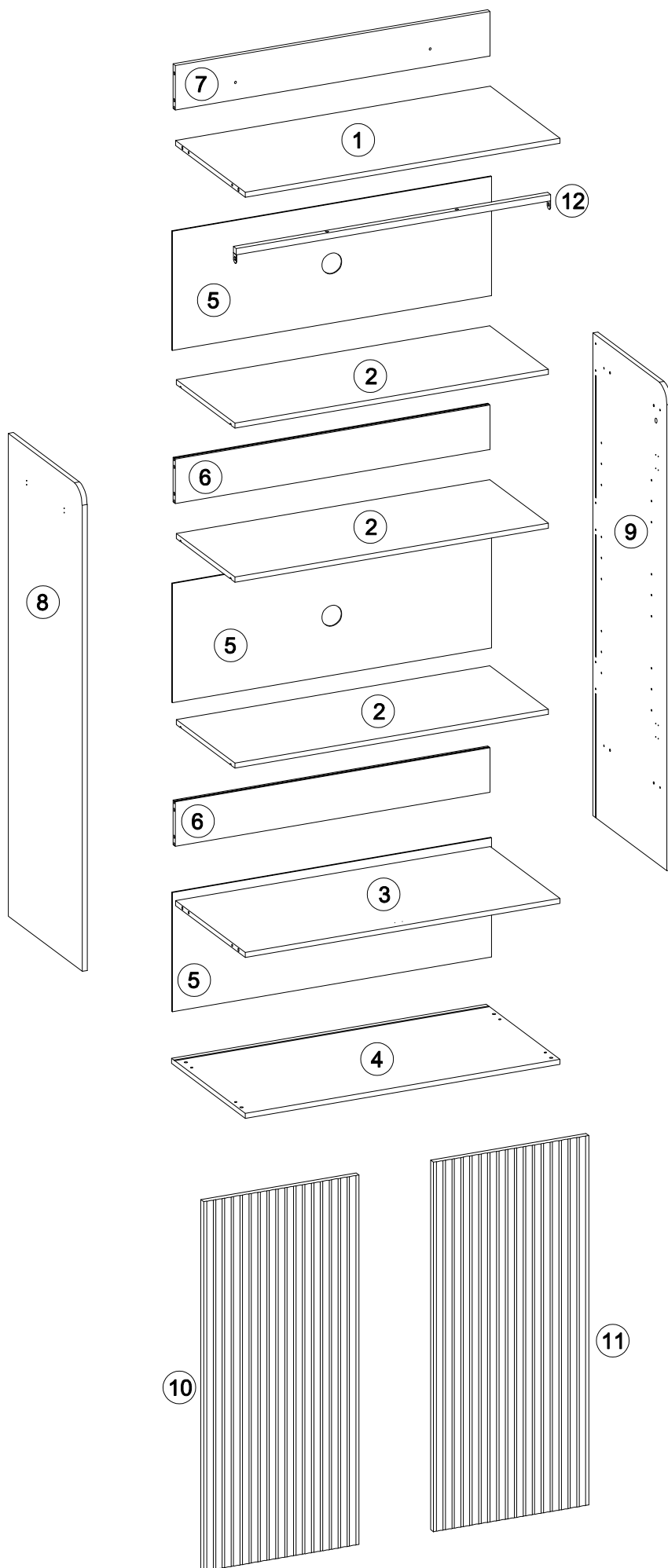


Parts List

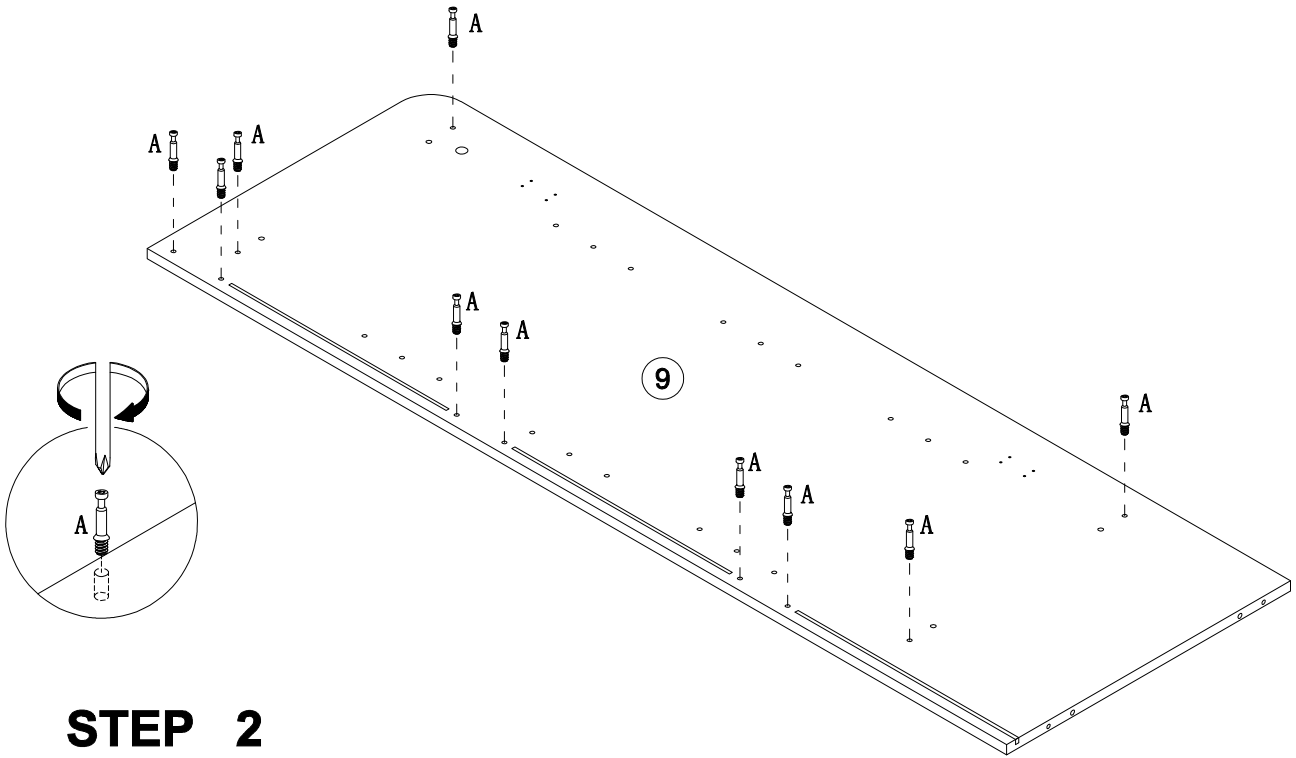
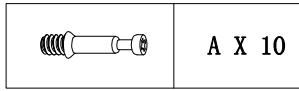
	① X 1		② X 3		③ X 1		④ X 1
	⑤ X 3		⑥ X 2		⑦ X 1		⑧ X 1
	⑨ X 1		⑩ X 1		⑪ X 1		⑫ X 1

Hardware List

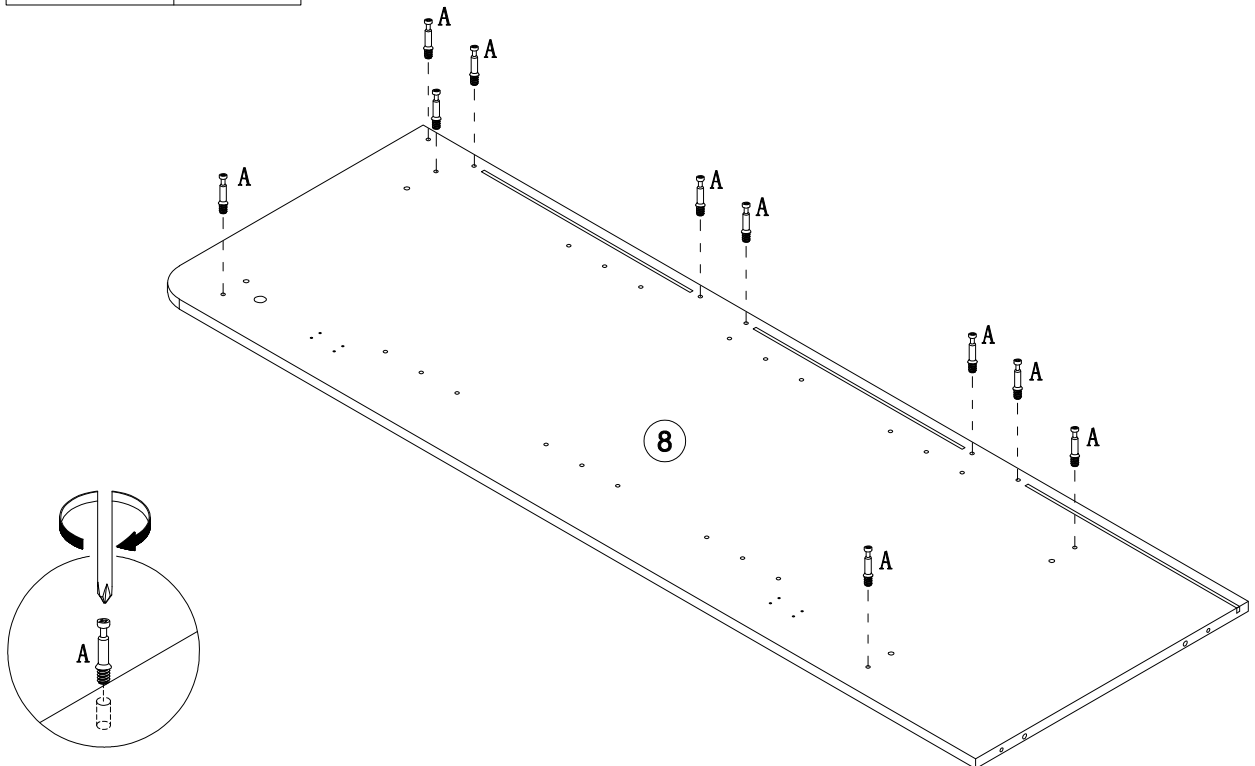
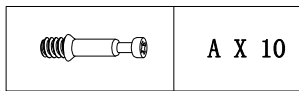
	A x 20 ø6*32 +2 (spare)		B x 20 ø15*9 +2 (spare)		C x 12 ø6*30 +1 (spare)
	D x 2		E x 8 ø3*12		F x 2 M6*10
	G x 1 M4		H x 12 ø3*16		I x 2 M6*23
	J x 4		K x 24 ø3.5*14 +2 (spare)		L x 2
	M x 2		N x 4 ø4*12		O x 12 ø5*15 +1 (spare)
	P x 2		Q x 4 ø4*38		R x 2
	S x 4 ø5*48		T x 1 M3		



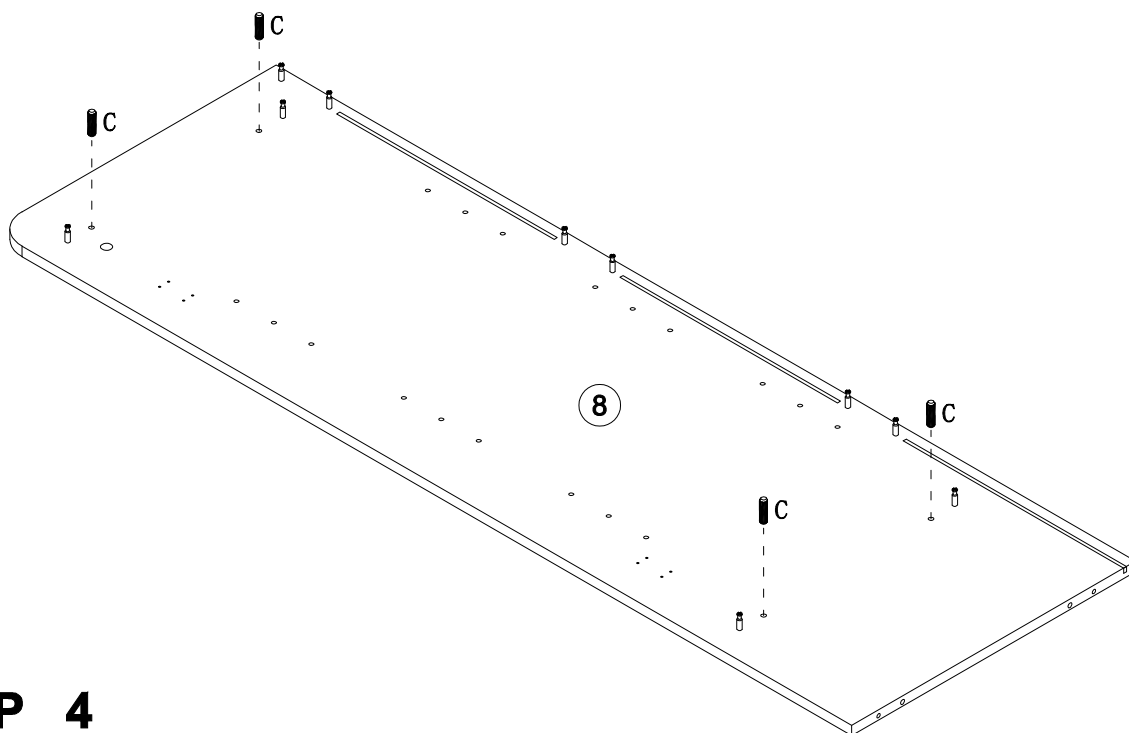
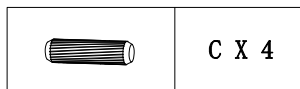
STEP 1



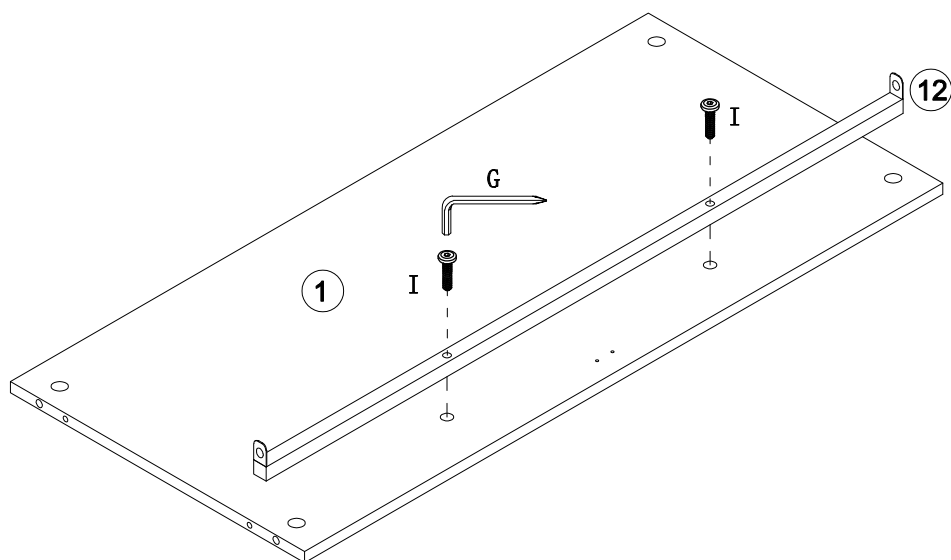
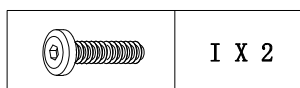
STEP 2



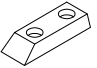
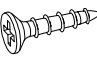
STEP 3

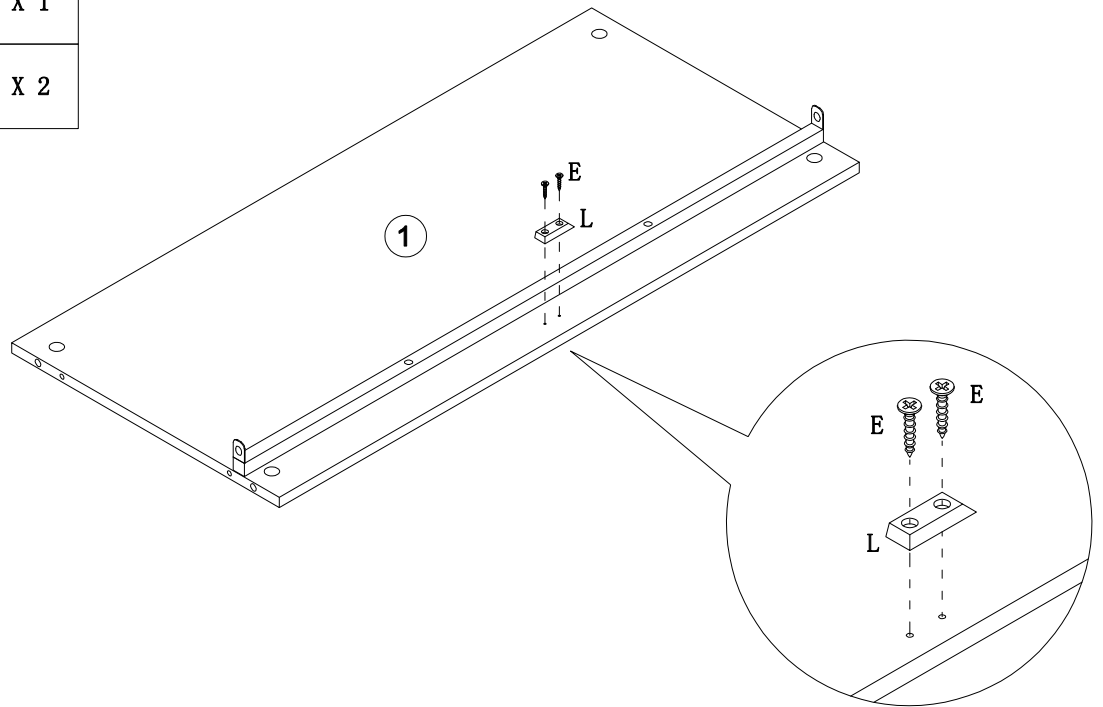




STEP 4

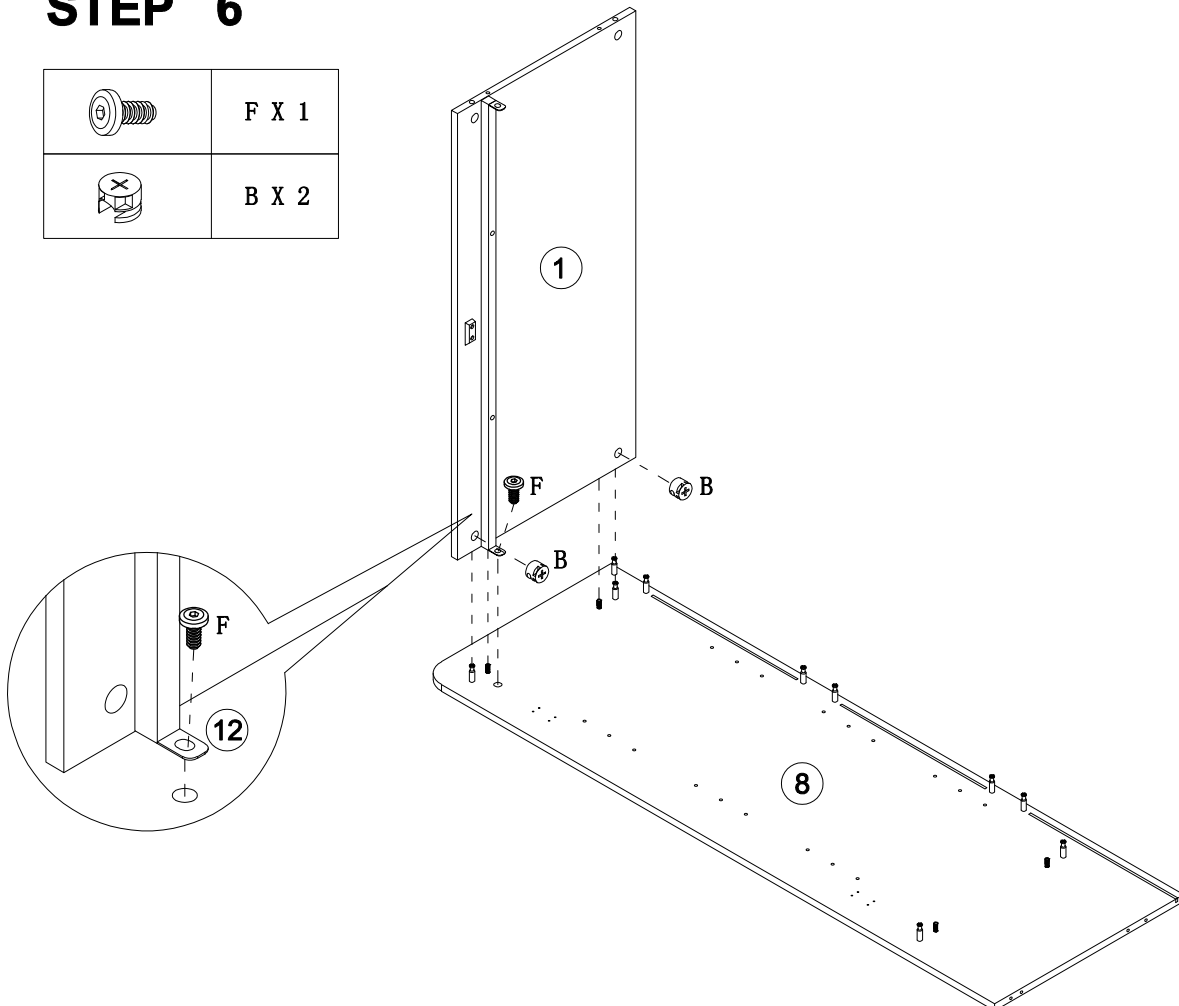


STEP 5

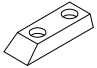
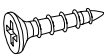
	L X 1
	E X 2

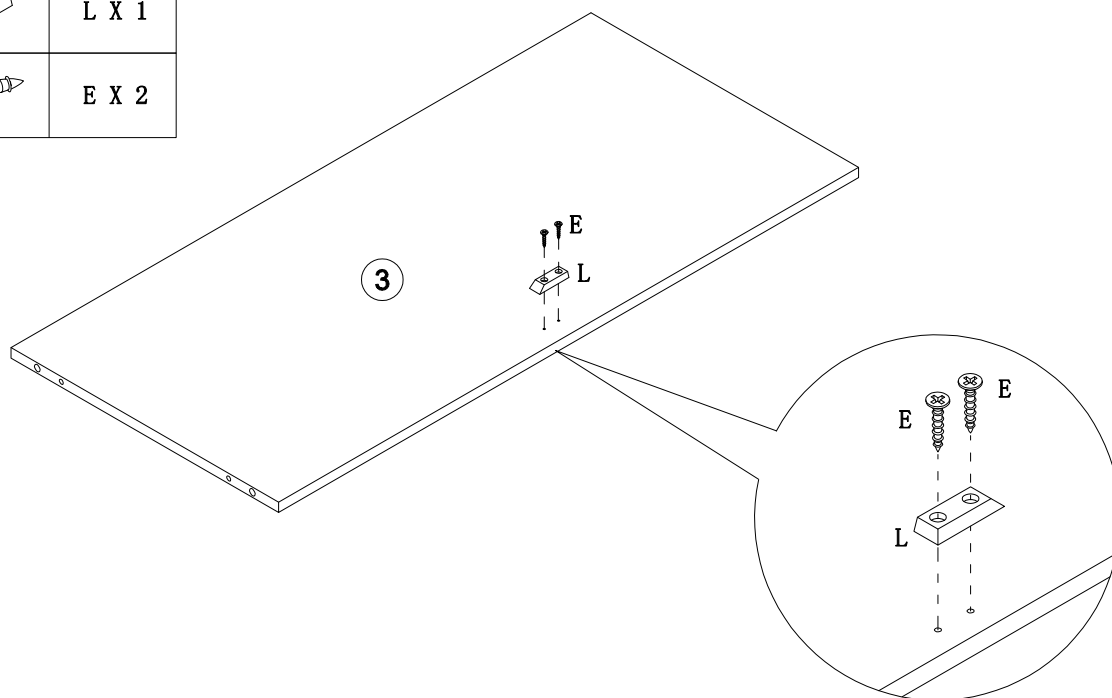
**STEP 6**

	F X 1
	B X 2




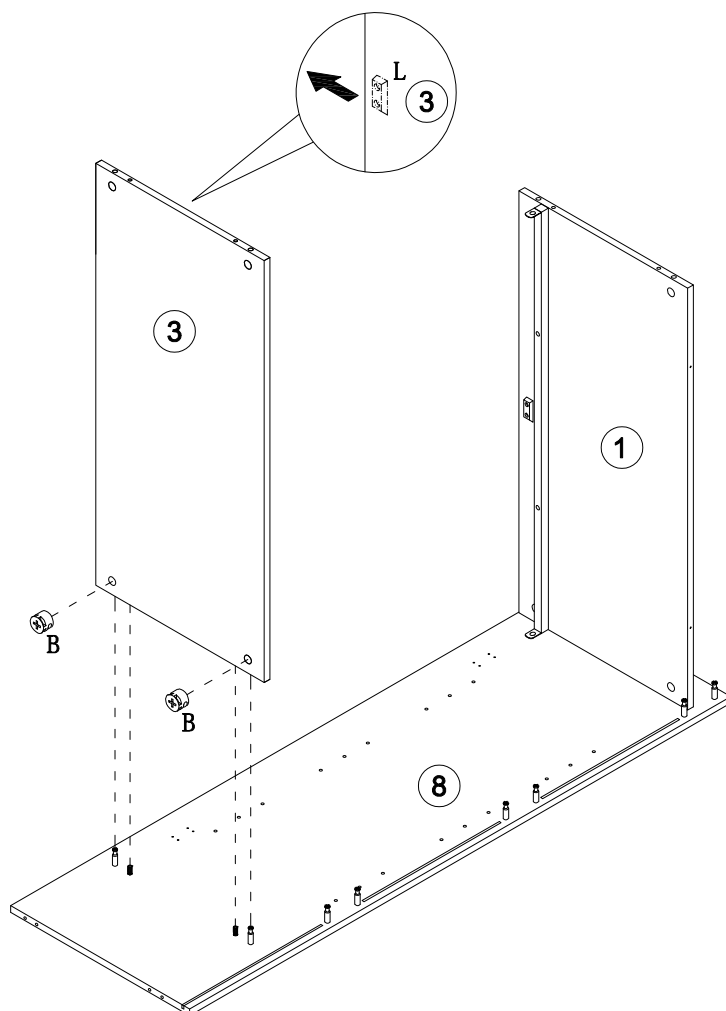
STEP 7

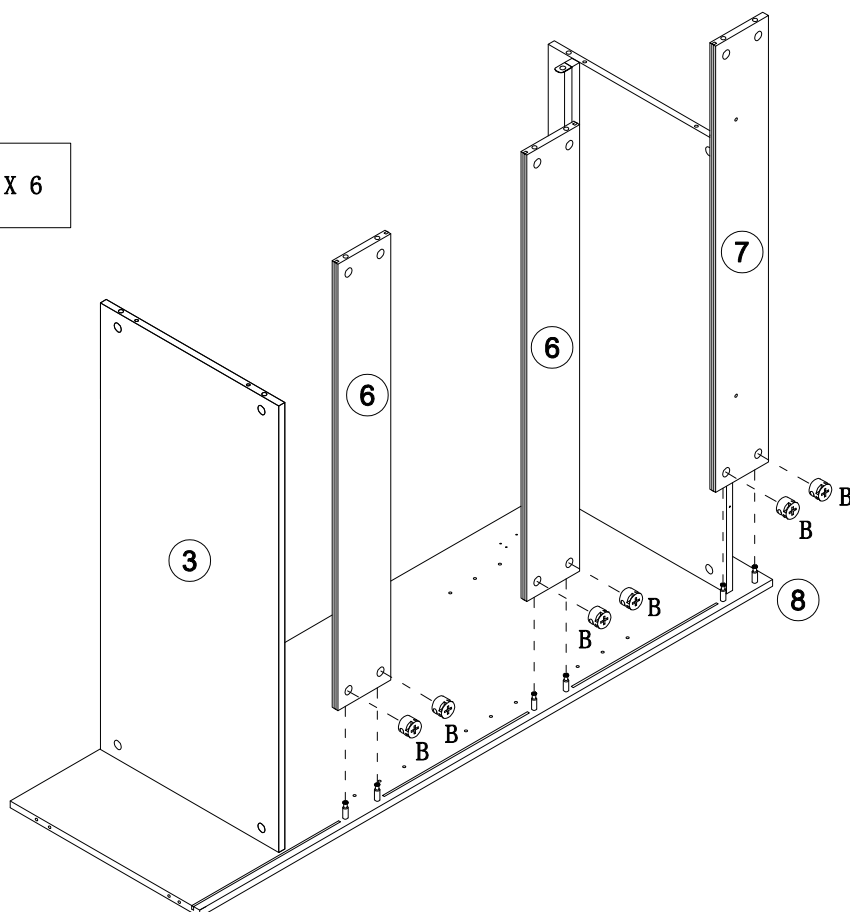
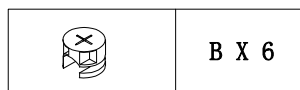
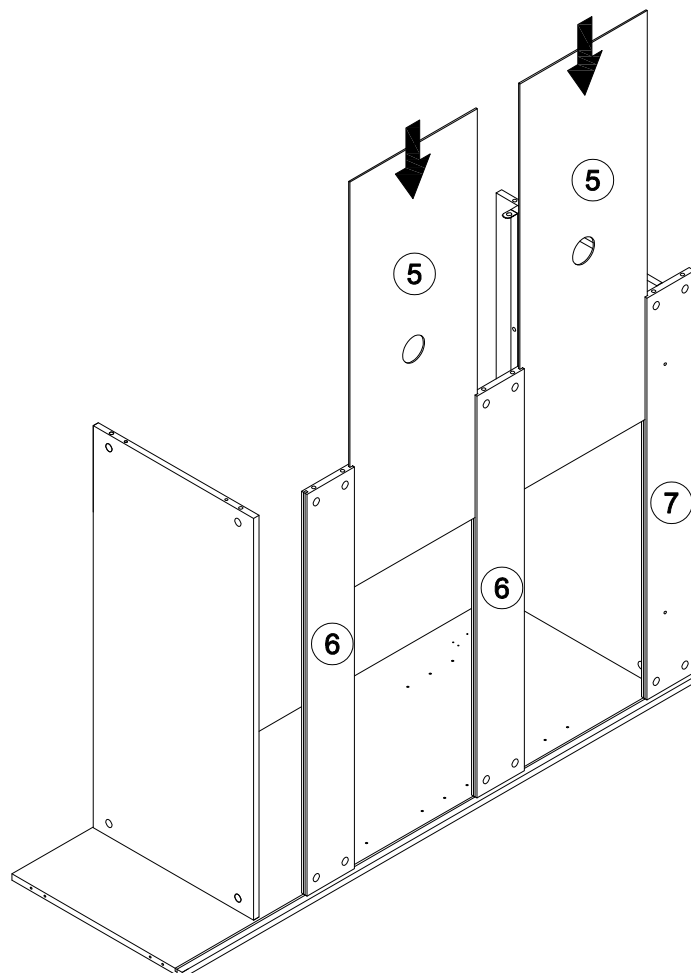
	L X 1
	E X 2




STEP 8

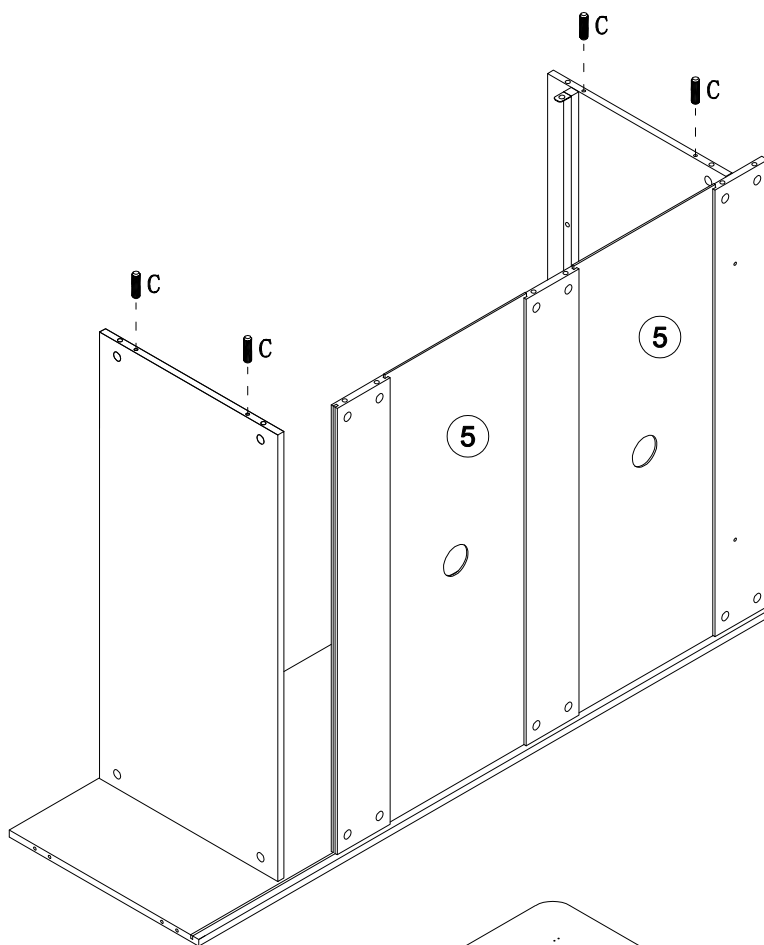
	B X 2
---	-------





STEP 9**STEP 10**

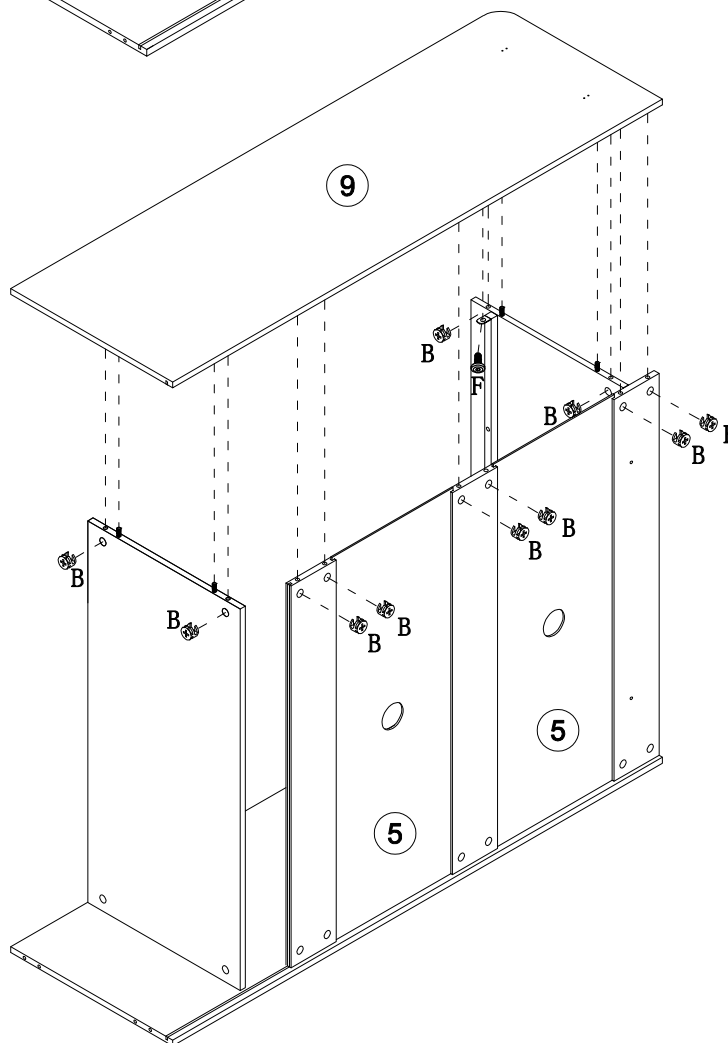
STEP 11

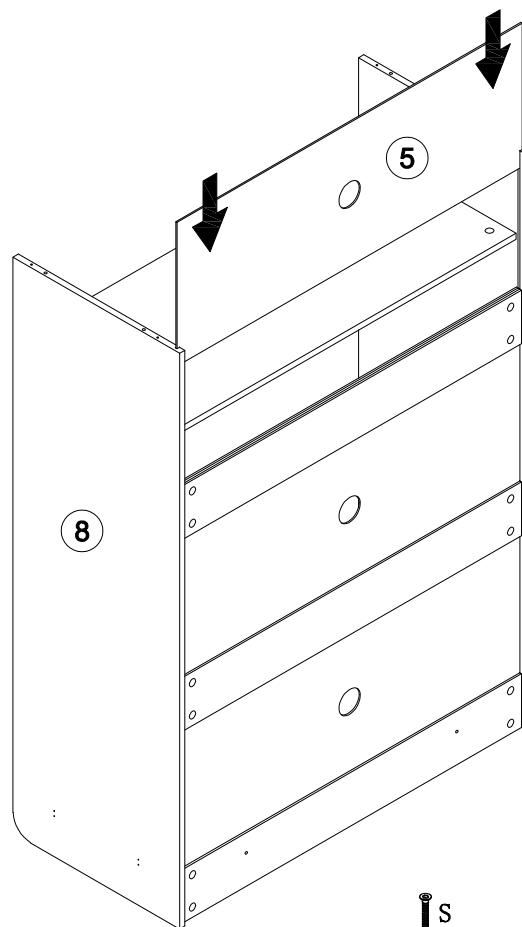
	C X 4
---	-------





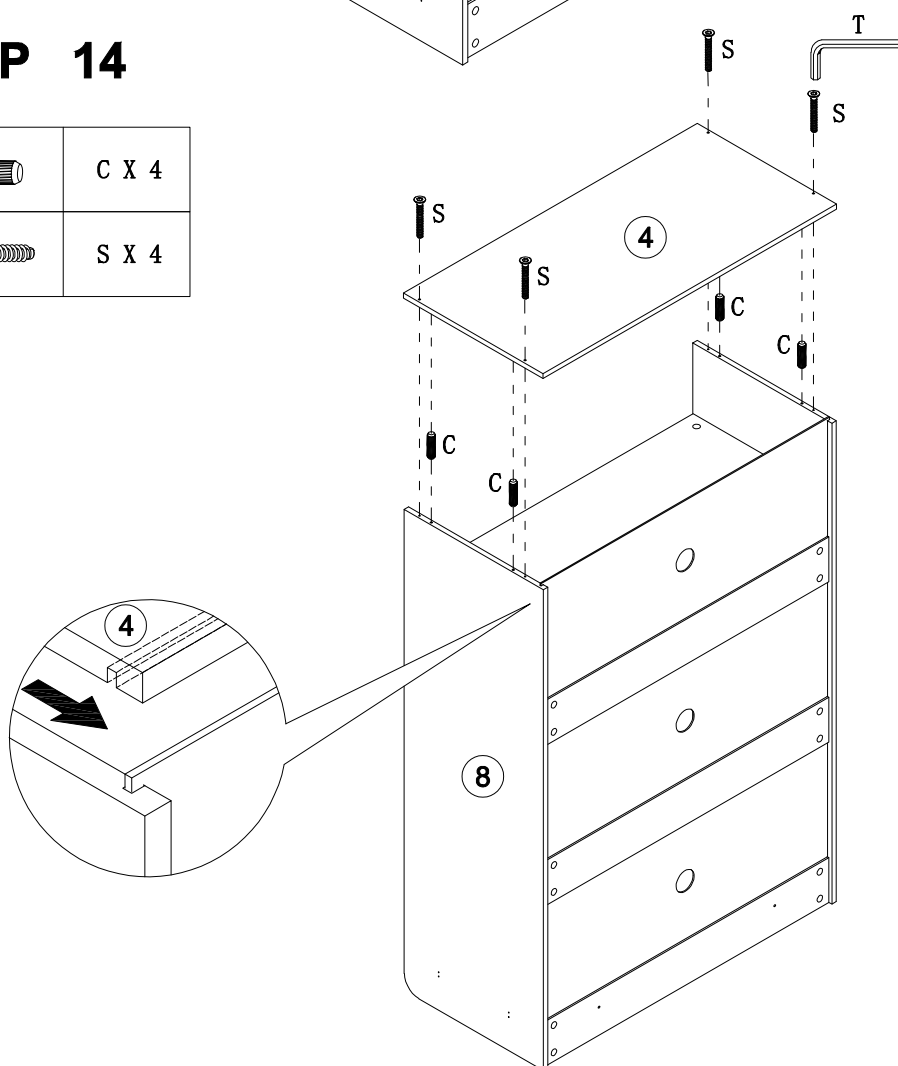
STEP 12

	F X 1
	B X 10

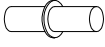


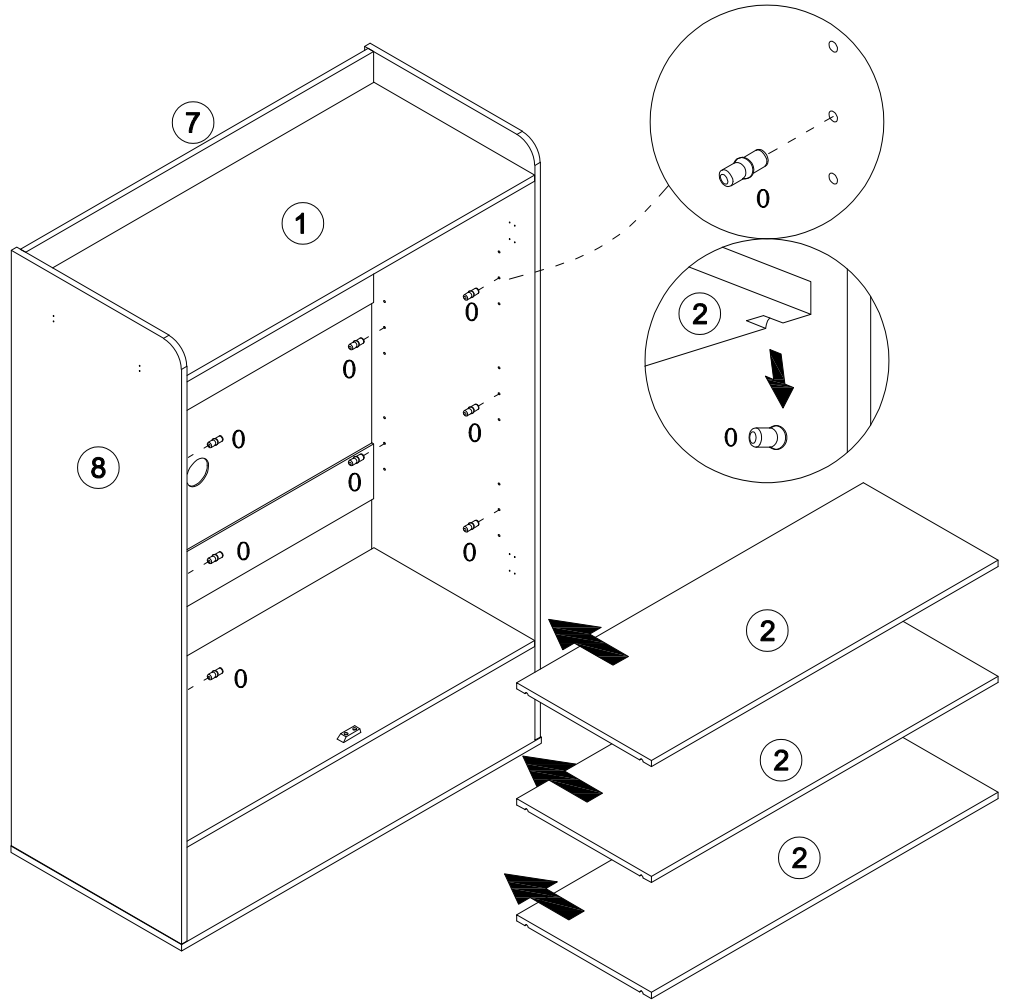
STEP 13**STEP 14**

	C X 4
	S X 4


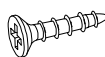




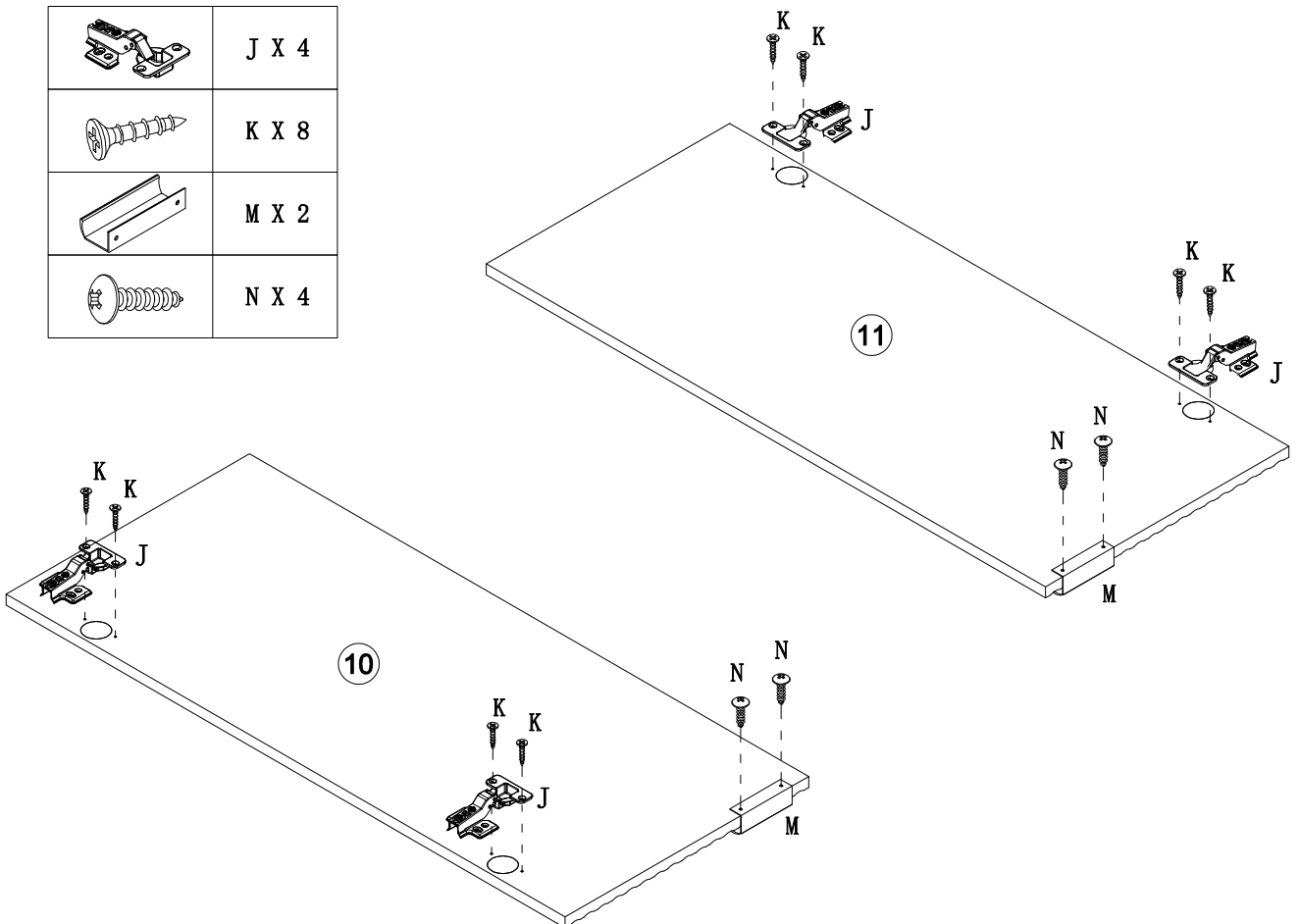
STEP 15

	0 X 12
---	--------

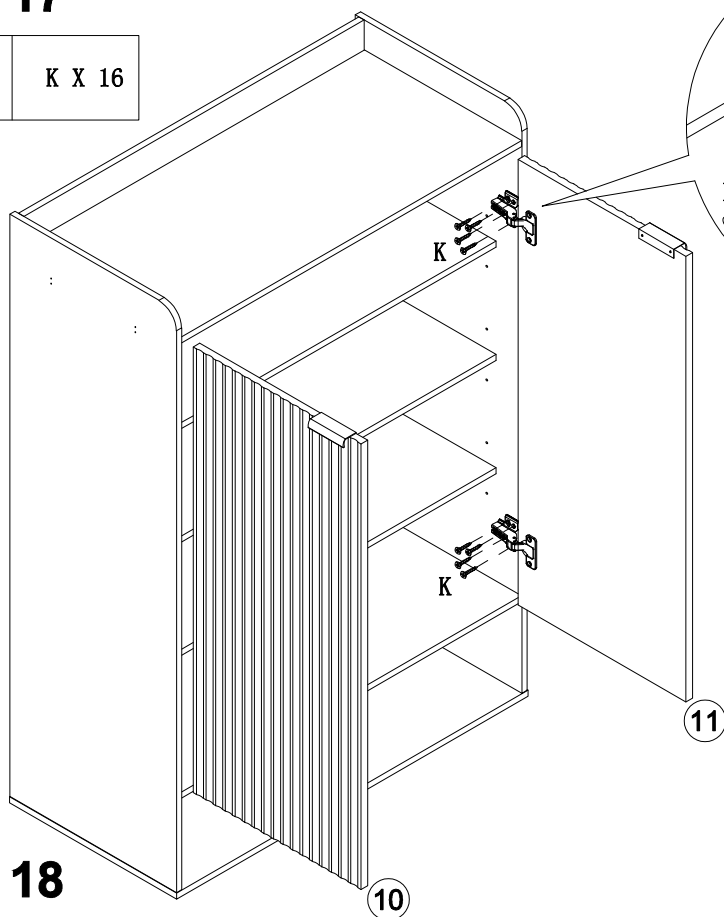
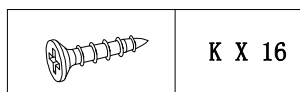


STEP 16

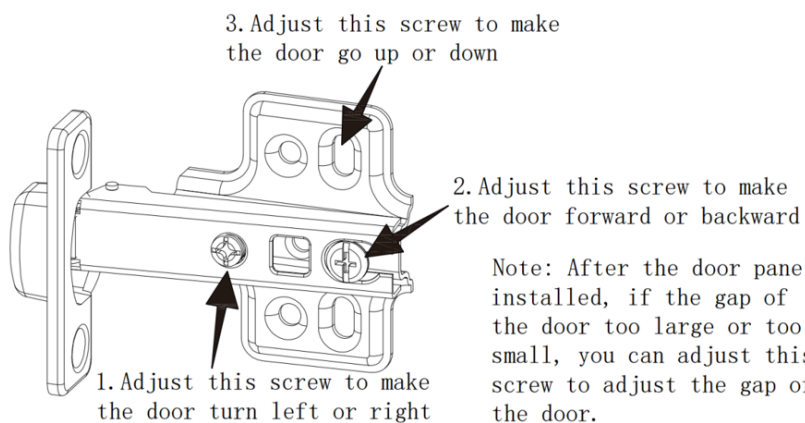
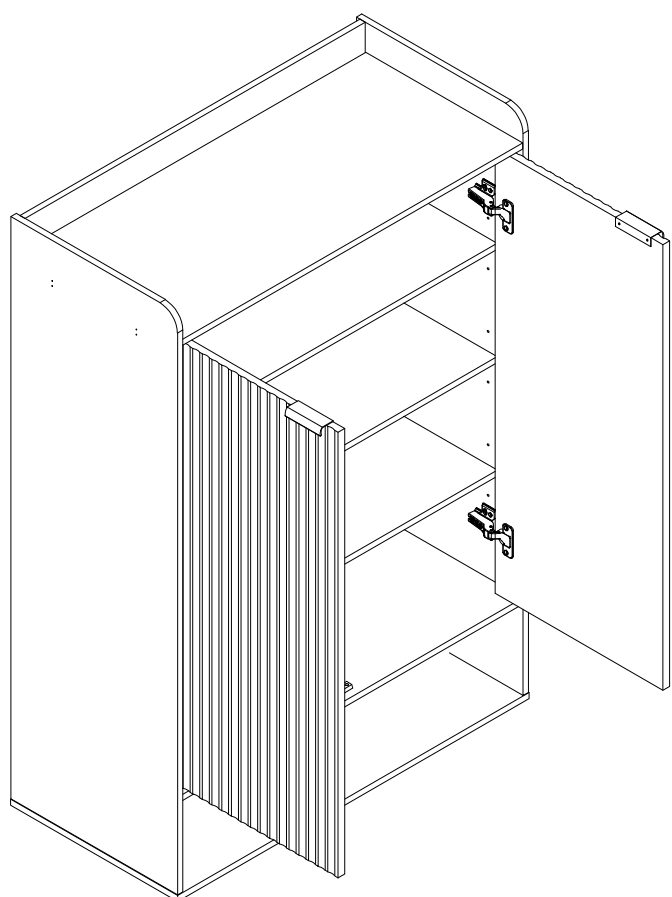
	J X 4
	K X 8
	M X 2
	N X 4



STEP 17




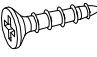
STEP 18

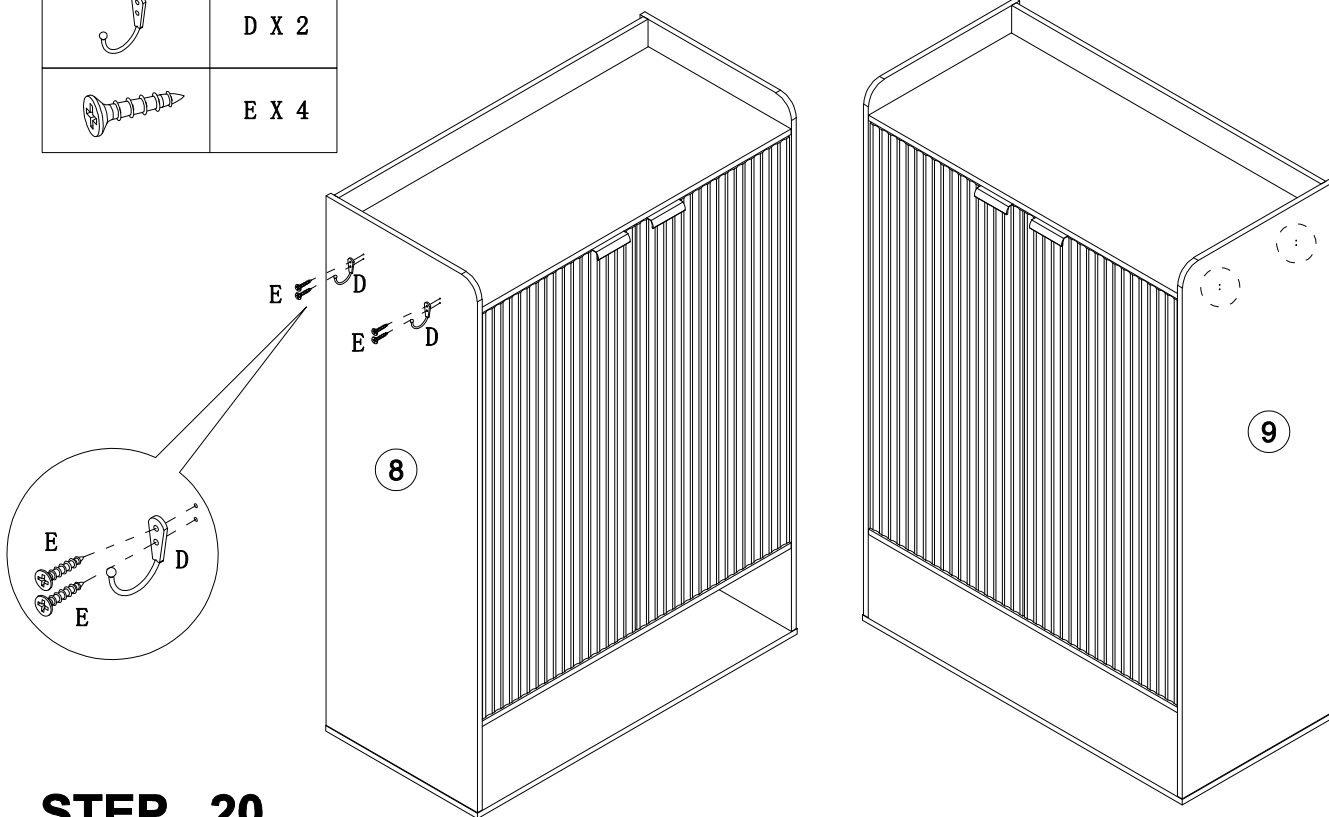


Note: After the door panel installed, if the gap of the door too large or too small, you can adjust this screw to adjust the gap of the door.



STEP 19

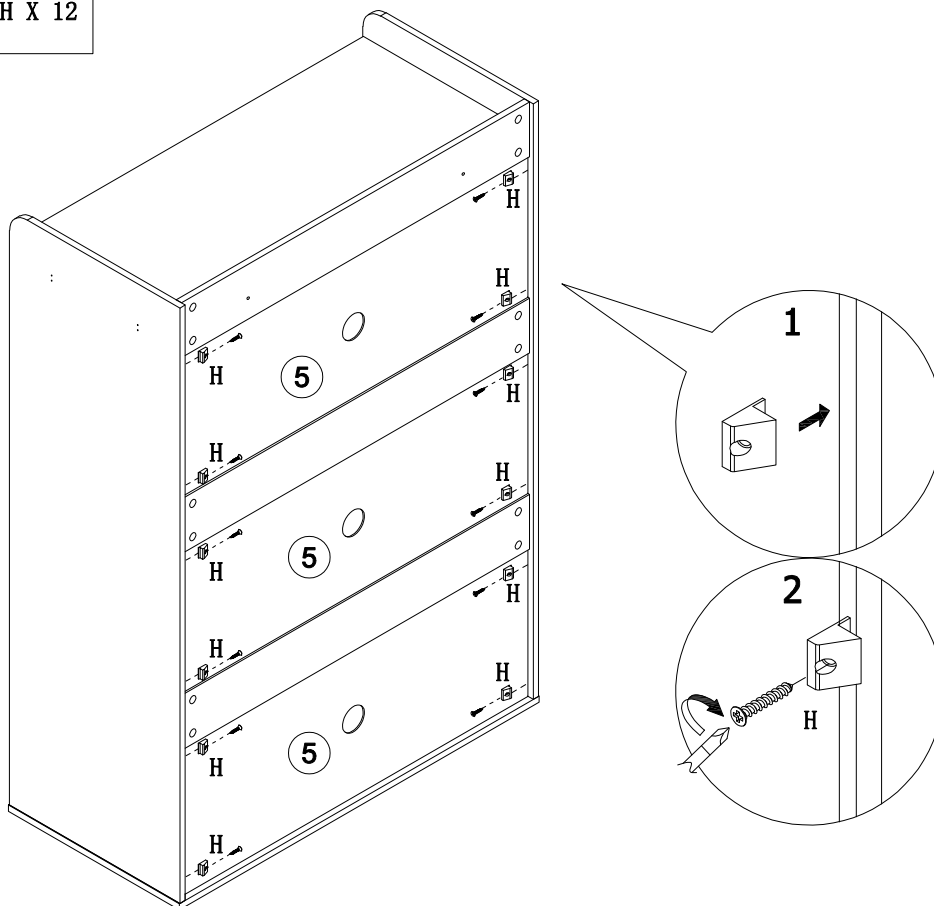
Part D can be installed on the left or right side.

	D X 2
	E X 4






STEP 20

		H X 12
---	---	--------



STEP 21

	Q X 4
	P X 2
	R X 2

