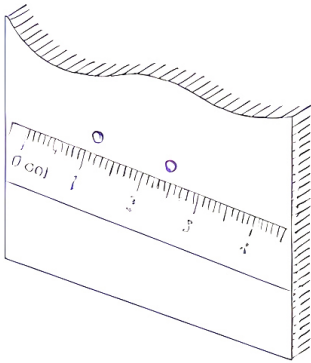
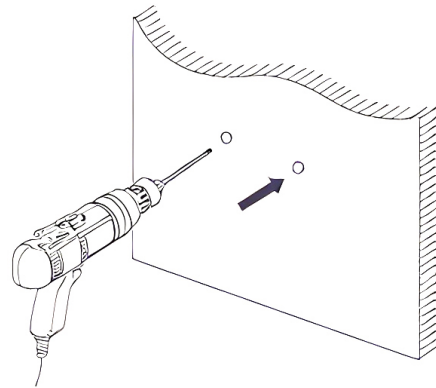


Installation Steps

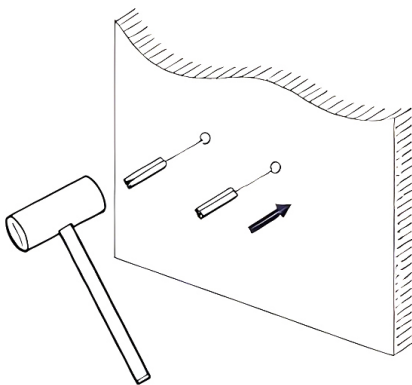
1 Determine the location and mark the position



2 Choose the appropriate nail and drive it in



3 Hang the picture and check the level



4 Installation completed

