

ASSEMBLY INSTRUCTION DINING TABLE

IMPORTANT SAFETY CONSTRUCTION

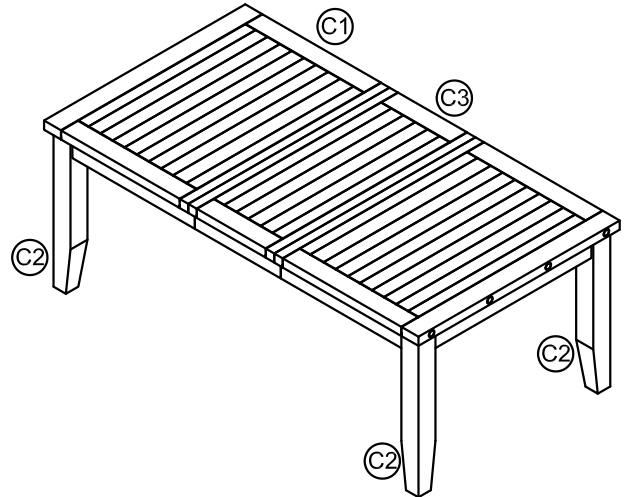
Thank you for purchasing this quality product. Be sure to check all packing material carefully for small parts that may have come loose inside the carton during shipment. Please read all instruction carefully before assembling. For your safety, assembly by two people is recommended.

PARTS INCLUDED:

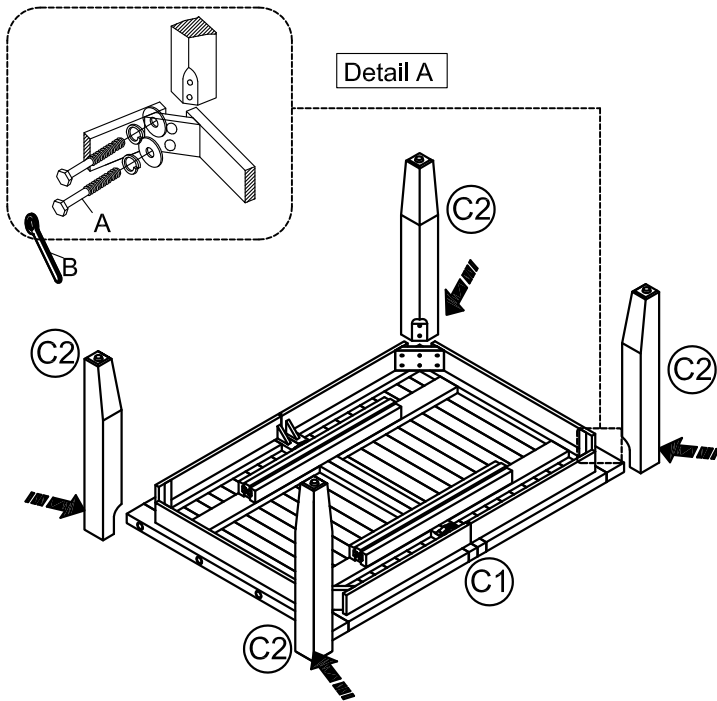
- (1) Table Top (C1)
- (4) Table Leg (C2)
- (1) Removable Leaf (C3)

HARDWARE ENCLOSED:

- A 8x  Ø10 x 60mm
- B 1x  Ø17



ASSEMBLY INSTRUCTIONS

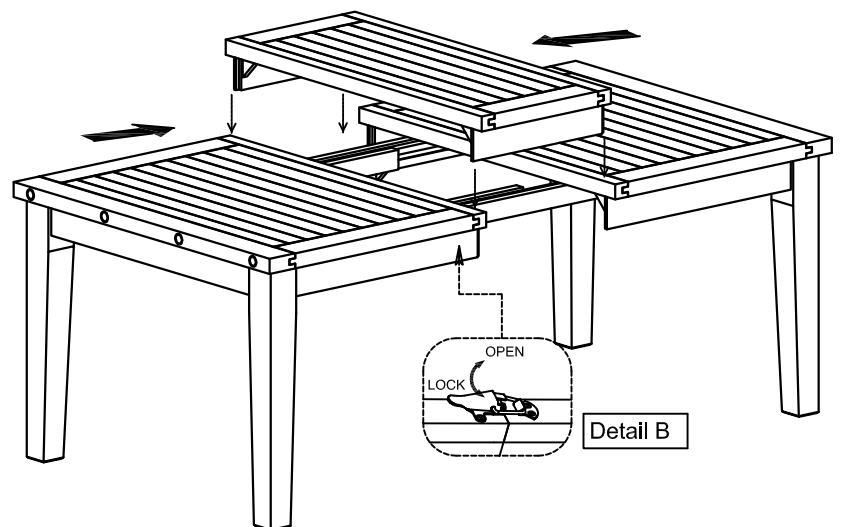


STEP 1:

- Carefully lay Table Top upside down on a smooth flat surface to prevent scratches.
- Affix each Leg to each corner of the Table Top as shown in illustration.
- Insert a Bolt with Flat washer, Lock washer (A) through holes in wood angle corner
- Once all Legs are in place, fully tighten Bolt by turning clockwise using Key Wrench until secure. (See Detail A)

STEP 2:

- Fully extend both sides of the table. Carefully place the Table Leaf into the open position as shown
- Lock the table by closing the tension lever key (Detail B)



NOTES:

The use of power tools for assembly is not recommended. Power tools can damage hardware or split wood.