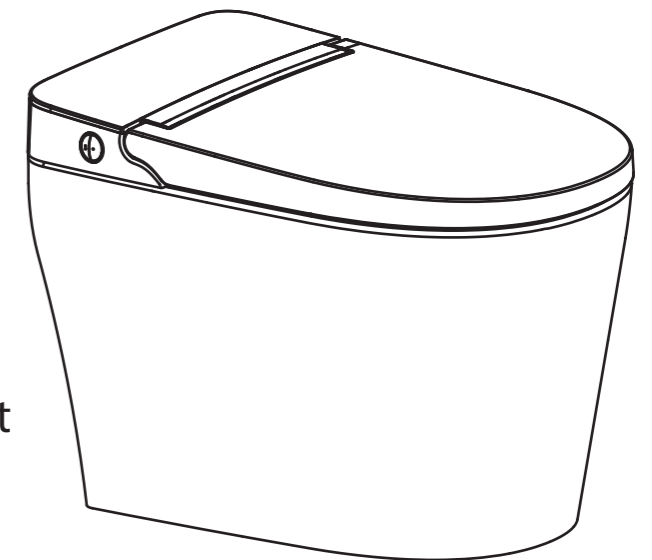


ELLAI

Product Manual



Product Name: Intelligent Toilet
■ Model: MT-3602

Thank you for purchasing our product. Please read this manual before installation and use to ensure that your product will function at peak performance.

Read this manual thoroughly and store in a safe place for future references.



Questions, problems, missing parts? Before returning to your retailer, call our customer service department at 1-877-804-5504, 8:30 a.m. - 5 p.m., EST, Monday-Friday.

The functions may vary from different part no.

Part no.		MT-3602
Functions		
Remote	Remote control	●
	Limitless wash	●
Cleaning	Rear wash	●
	Front wash	●
	Aerated wash	●
	Auto clean	●
	Oscillating	●
	H/C massage	●
	Water pressure adjustment	●
	Water temp adjustment	●
	Wand position adjustment	●
	Detachable Nozzle	●
	Self-cleaning nozzle	●
	Nozzle clean	●
	Heated seat	●
	Warm dryer	●
Comfort/ Convenience	Warm dryer plus	●
	Anion deodorization	●
	Seat temp adjustment	●
	Air temp adjustment	●
	Remote open flip/seat	●
	Damper	●
	Night light	●
	Instant heating	●
	Remote Control flush	●
	Auto flush	●
Safety	Dryer flush	●
	Seat sensor	●
	Black out flush	●
	Memory mode	●
	Air segregation	●
	Anti-backflow	●
	Easy to Clean Glaze	●
	Steel mesh filter	●
	8 Protections	●
	Nano anti-bacterial	●
Fire and heat resistance	●	
Reset	●	

User Friendly Design

Kick control, new features to offer you an enjoyable experience



Rotated Switch
(Refer to page 13)

Contents

Parts Information	1	Before use
Overview	1	
Remote Control	2	
Design Overview	2	
Safety Information	3	
Warnings	4	Functions
Attention	6	
Installation	7	
Before you Install	8	
Installing Your Product	9	
Function Explanations	13	Troubleshooting
Maintenance	15	
Surface Cleaning	15	
Nozzle Maintenance	15	
Troubleshooting	17	
Power button	17	
Wash functions	17	
Dryer	18	
Heated Seat	18	
Remote Control	18	
Toilet Unit	18	
Soft-Closing Feature	18	
Specifications	19	

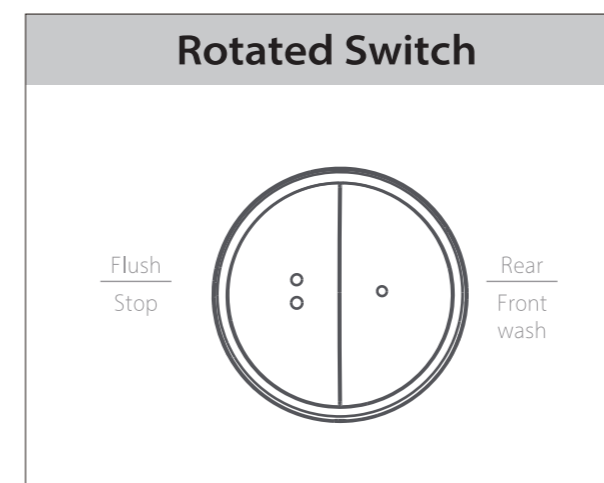
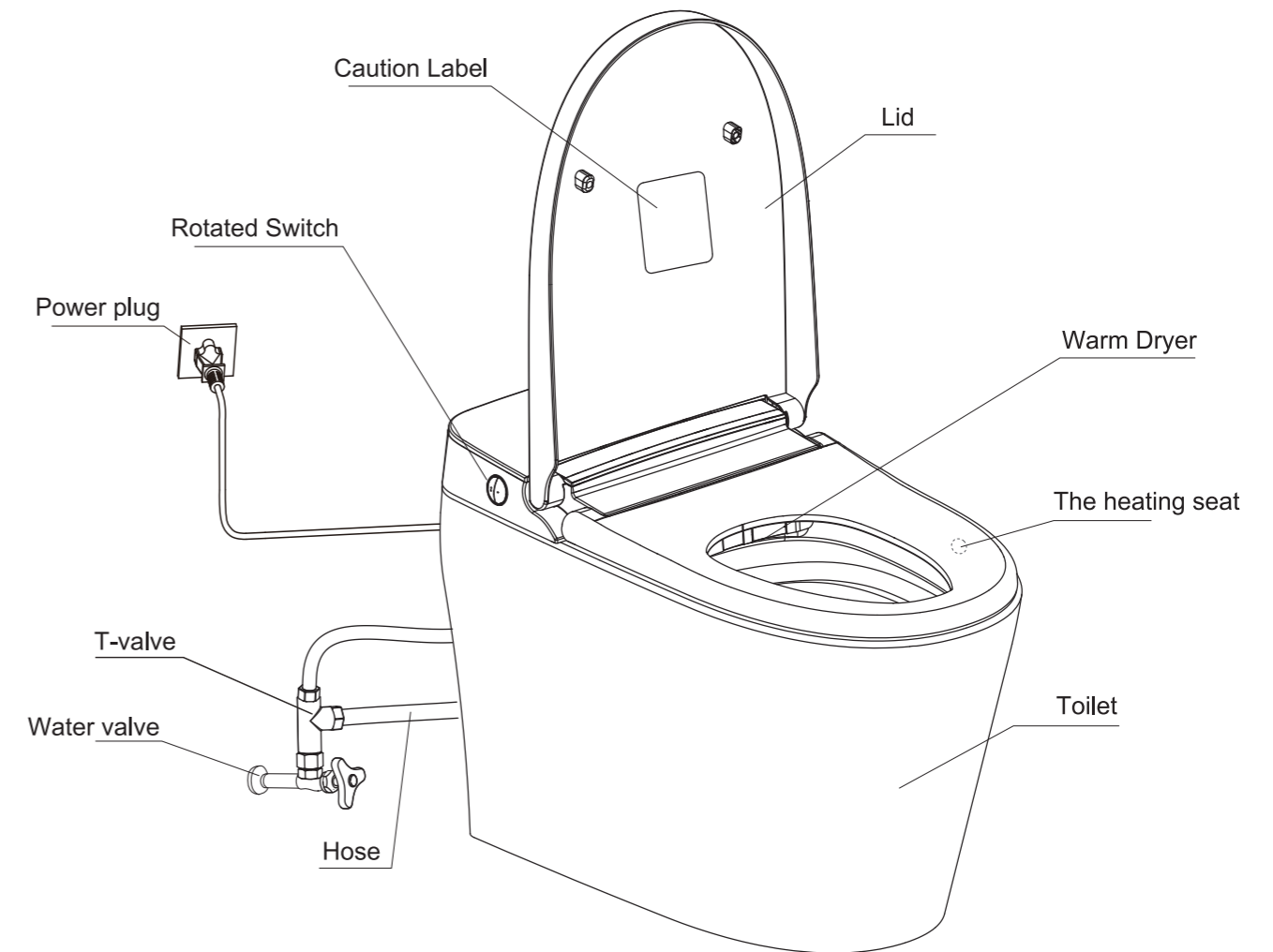
Specifications

Rated voltage		120V
Frequency		60Hz
Rated power input		1050W(When inlet water temp in 59°F)
Seat and dryer temperature range		39.4°F~104°F
Water temperature range		39.4°F~95°F
Water supply hose type		DN15(G1/2")
Water Inlet	Minimum pressure	35psi, ensuring a flow of water at least 3L/10s
	Maximum pressure	109psi (static state)
Toilet	Flush type	Tornado flush
	Rough-in	Rough-in 12in
Nozzle	Heating type	Instant heating
	Washing temp range	OFF/93.2°F~102.2°F (4 levels)
	Safety system	Butterfly thermostat, thermal fuse, flow sensor
Dryer	Dryer temp range	OFF/ 95°F~131°F (4 levels)
	Dryer air speed	> 4m/s
	Safety system	Thermal fuse, bi-metal
Heated seat	Heat temp range	OFF/ 93.2°F~104°F (4 levels)
	Safety system	Thermal fuse
Remote control	Battery	Two AAA Batteries
Power cable length		Appx. 47.2 in
Product dimension		687mmx473mmx383mm

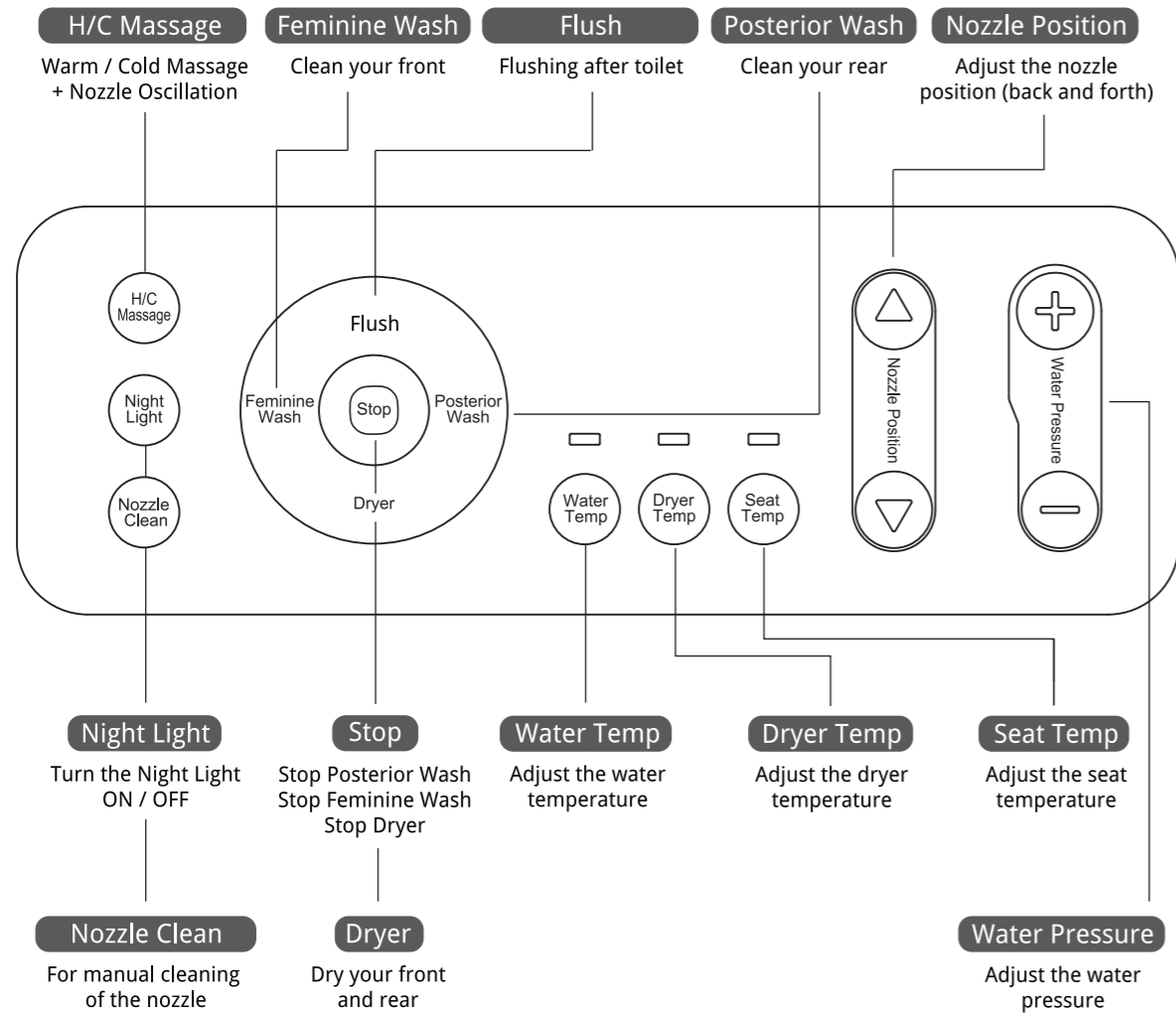
Parts Information

Overview, Sideview, Remote controller

Overview



Remote Controller



Warnings and Safety

Please read thoroughly


First of all, thank you for purchasing our product. To ensure proper and safe use of this product, carefully read this section prior to any usage. Afterwards, store this manual in a safe place for any needed future reference.


The hazards and warnings listed herein are important to our user's safety. Significant consequences may result from failure to heed warnings. The company will not be held liable for any injuries to the user and damages to the product due to improper usage and/or failure to heed safety warnings.

Explanation of Terms and Symbols


Warning . . . 「Indicates possible injury resulting from improper usage due to negligence of this sign.」

Attention . . . 「Indicates human injury or property loss that may result in improper usage due to negligence of this sign.」


 「Note」 When used with the above "Warning" and "Attention" signs, indicates a strict request to follow noted precautions.


 「Prohibits any individual from performing any action with this symbol」

 「Prohibits any individual from dismantling product.」

 「Keep product away from any wet environments, including, but is not limited to, humid environments, close proximities to baths, showers or sinks.」

 「Do not touch!」

 「Do not touch with a wet hand!」

 「Keep away from any extreme heat or fire!」

 「Operate only as instructed!」

 「Pull out the power plug!」

 「Protective grounding」

Warning

This product needs to be properly grounded.

- ※Risk of electric shock
- ※If unsure, contact an electrician. electrical installation company.



Do not place a lit cigarette along with other burning objects into the unit.

- ※Risk of fire.



Do not touch, insert or pull out the power plug with a wet hand.

- ※Risk of electric shock.



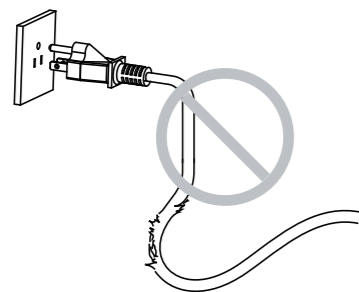
Do not use during thunderstorms (pull out the power plug during storms).

- ※Failure in doing so may lead to injury or fault in the product.



Do not use a power socket in poor condition or a damaged power plug.

- ※Risk of fire and/or electric shock.



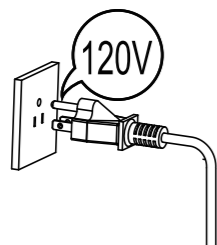
When the seat ring or the cover plate is damaged, to avoid any harm, be sure to pull off the power plug, close the water source and contact your local distributor for replacement.

- ※Risk of fire or electric shock.



The power socket in use should be within the specified range (AC120V).

- ※Risk of fire and/or electric shock.



Regularly pull out the power plug and wipe off any dust on the power plug using a clean dry cloth.

- ※Risk of fire.



Any person with a disability, the elderly, and children, should be using this product with the supervision of another individual.

- ※Be advised that sitting on the heated seat for an extended amount of time may result in burns.



Do not pull, damage, bend, twist, stretch, roll, bundle, clamp or squeeze the power cable. Do not place anything on power cable.

- ※Risk of fire and/or electric shock



If the power cord is damaged, to prevent any injuries or accidents, it should be replaced by a professional.

- ※Risk of fire and/or electric shock



This product is not a toy. Advise children not to play with product.

- ※Risk of injury.



Do not dismantle, repair or alter this product on your own. Call in a professional, or contact Dyconn Faucet for further advice.

- ※Risk of fire, electric shock, and/or other accident that may lead to injury.



Warning

For cleaning or maintenance of plastic parts, do not use any harsh cleaning agents. (These include, but are not limited to products such as: concentrated sulfuric acid, concentrated nitric acid, glacial acetic acid, carbon tetrachloride, chloroform, acetone, butanone, benzene, methylbenzene, phenol, methylphenol, dimethylformamide, methyl ether, soybean oil, acetate, 40% nitric acid, thick salt acid, 95% alcohol, gasoline, kerosene or brake oil, etc).

- ※Risk of damaging parts that can lead to accidents and injuries



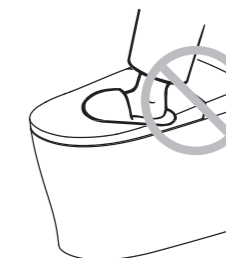
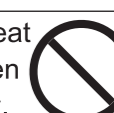
Do not use polluted water or water meant for industrial.

- ※Risk of urocystitis or dermatitis. Untreated water may also cause corrode inner workings of unit and may cause electrical shock or a fire.



Do not apply any force to the unit's seat and lid. Do not stand on the lid or open or close the lid and the seat forcefully.

- ※This may result in product damage and/or user injury.



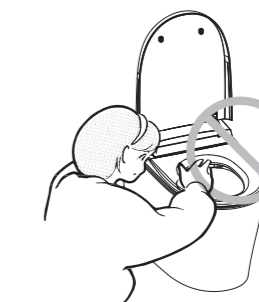
Do not add water or detergent into the unit or on to the wireless remote. Do not soak the product with water or cleaner.

- ※Risk of fire and/or electric shock.



Do not place your hand or any other object into the dryer trap, and do not cover the dryer and dryer trap during product use.

- ※Risk of fire, electric shock, and/or other accident that may lead to user injury.



Do not install product in a humid environment or a soak room. Do not spray or soak this product with any form of liquid to prevent any damage to the product.

- ※Risk of fire and/or electric shock.



Do not spray urine at the dryer trap.

- ※Risk of electric shock.



Read the following for proper battery usage.

- Properly install the battery according to its correct polarity.
- Remove the battery during long periods without use.
- Replace the battery before it reaches the end of its usage. Failure to do so may result in interrupted control signals.
- Cover the battery with tape before disposal.
- ※This will prevent battery fluid leaks that may cause fire and/or other damages.



Warning

- Place the battery out of children and infant reach.
- ※ If battery is swallowed, contact a doctor immediately.
- If battery fluid leaks onto user, quickly rinse off area using water.
- If battery fluid gets into eyes, do not rub your eyes. Quickly rinse it with water and consult a doctor immediately.
- ※ May result in vision impairment or blindness.



When the battery is in use, do not do the following operations.

- Do not hold or store with metal objects (such as a necklace or a watch).
- Do not mix new and old batteries.
- Do not pull battery apart battery or throw it into water and/or fire. Battery fluids may cause a fire.



Attention

Do not use the heated seat or warm dryer temperature for an extended amount of time.

※ Extended use may result in burns.



Avoid direct sunlight or heat.

※ Risk of product discoloration.



While using this product, make sure that the skin is in contact with the seat sensor area. Otherwise, product may not operate correctly.

※ Children and smaller individuals may have trouble staying in contact with sensor area.



Do not supply electricity with an external switch. I.e: connecting the universal part to a timer switch.

※ Run the risk of issues caused by improperly resetting the thermal breaker.



When the filter is being replaced, be sure to close the water supply angle valve. When the filter is being installed, be sure to fasten it with force.

※ Risk of water leak



Do not spray urine in the direction of the bidet nozzle.

※ Doing so may result in blockage to the bidet nozzles and cleaning area.



Do not use your old hose component. Use the one provided with your product. Anything else connected to the older hose may need to be replaced.

※ Risk of water leakage and/or property loss/damage.



Pull out the power plug when the product is in disuse for an extended amount of time. Make sure to shut off the water and remove the water inside the product.

※ Risk of fire, leaks, and product damage.



When storing or transporting in cold climate, make sure to remove all water from the unit. Product may crack and other damages may occur due to freezing water.

※ Risk of fire, leaks, and product damage.



In case of sudden power failure, remove the power plug and close the angle valve to prevent water leakage.

※ Risk of water leakage and/or property loss/damage.



Installation

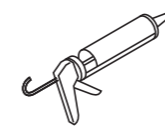
Tools required for installation

Required tools

Required tools for installation. Please have these tools prepared prior to installation.



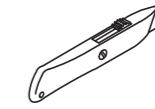
Drill
(Dia. 0.24in)



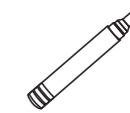
Silicone gun



Teflon tape



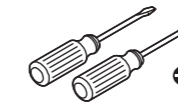
Knife



Marking pen



0.91 - 0.98 in
(Spanner model varies for different pipes)



⊕ ⊖ screw driver



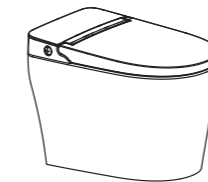
Measuring tape



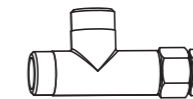
Measuring cup

Item list (Confirm that all below items are inside the box)

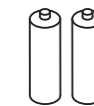
Intelligent toilet(1 set)



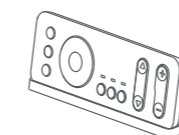
T-valve(1 pc)



Two AAA Battery



Remote controller set(1 set)

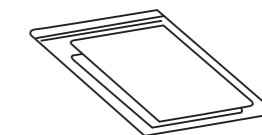


(holder 1 pc, screw 2 pcs)

Wax Ring(1 pcs)



Installation Book & User Manual



Floor flange(1pc)



Bolt (2pcs)

Washer (8pcs)

Hexagon bolt(4pcs) Bolt(2pcs)



Mounting bracket (2pcs)

※ Please confirm all the aforementioned items are inside the package.

If there are any omissions, please contact our customer service.

※ Illustrations above are for references only, Actual objects may look different in person.

※ We provide you with 2 pcs of conversion nut, each different versions. Please select according to your plumbing requirements.

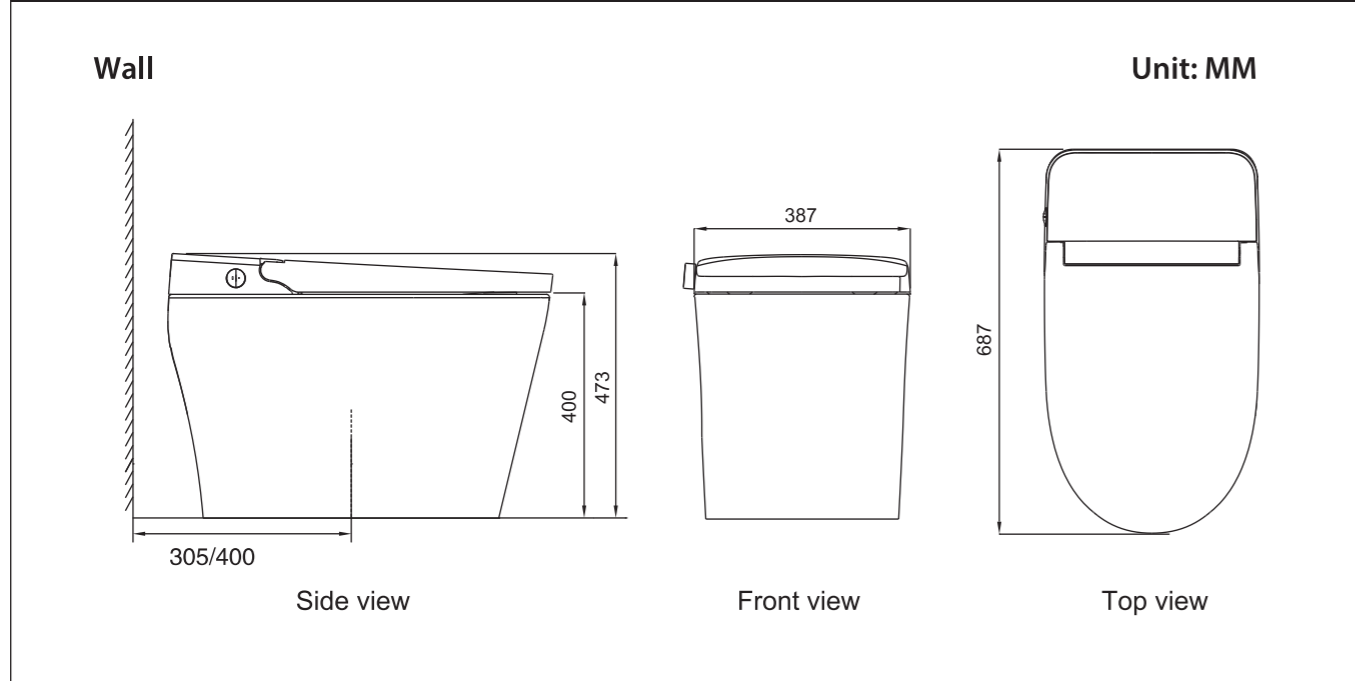
Before you Install

Water pressure check, dimensional drawing

Checking your water supply

- The lowest working water pressure is 35psi, the highest water pressure is 109psi, the toilet can not reach the best clean situation when the lowest water pressure can not reach 35psi.

Confirm dimensions of product with installation space

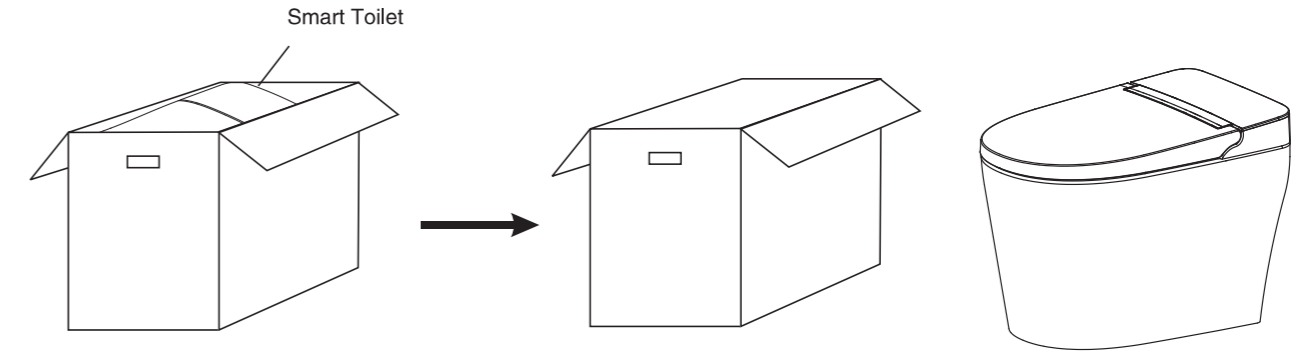


Installing your product

Install your unit using the following steps

1 Open the box right side up

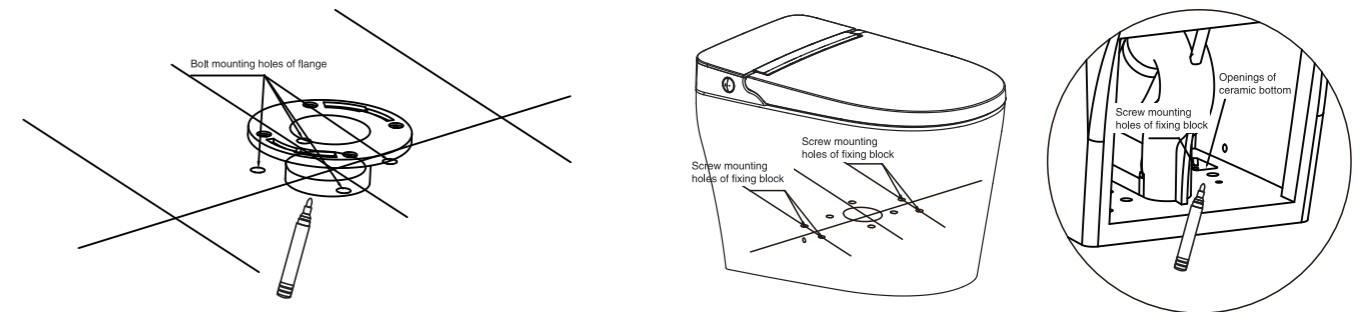
Remove the accessories first, then remove the unit from the top, as shown in the diagrams below.



2 Mark your drainage hole with a cross

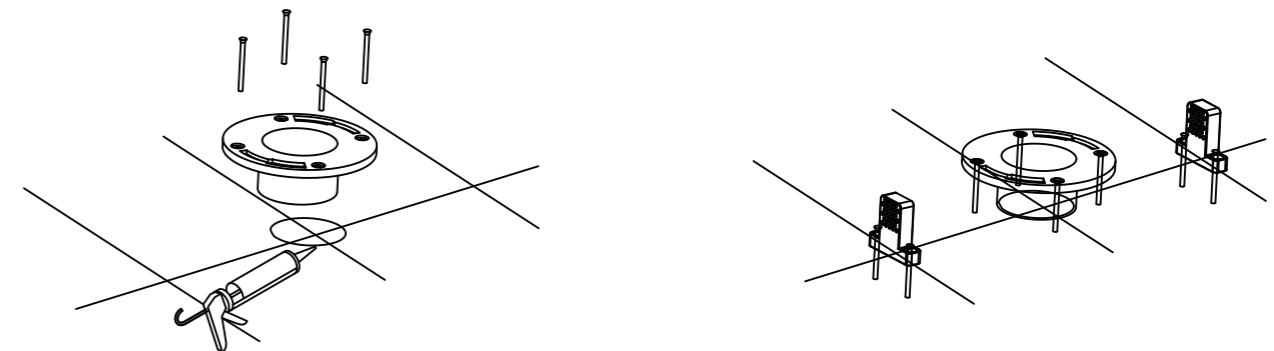
1. Align the flange with the drain hole, and mark the positions of the four mounting holes of the flange on the ground with a marking pen.

2. Place the toilet on the ground with aligning the ground drain hole, place two fixing blocks in the openings on the left and right sides of the toilet bottom, mark the screw mounting hole positions of the fixing block with a marking pen, and then remove the toilet.



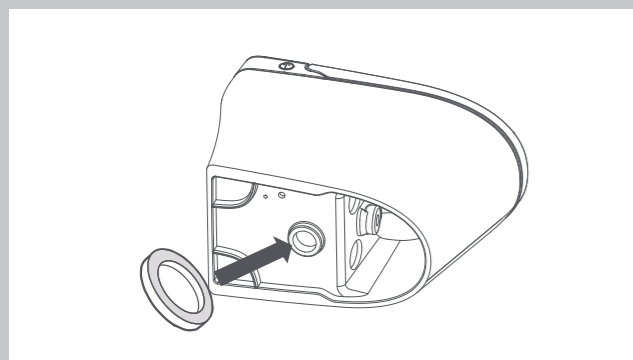
3 1. Put the flange on the drain hole, and fix it on the ground with four bolts. Then Seal the flange with glass glue.

2. Place the fixing block on the installation position marked by the line drawing pen and fasten it with two bolts.

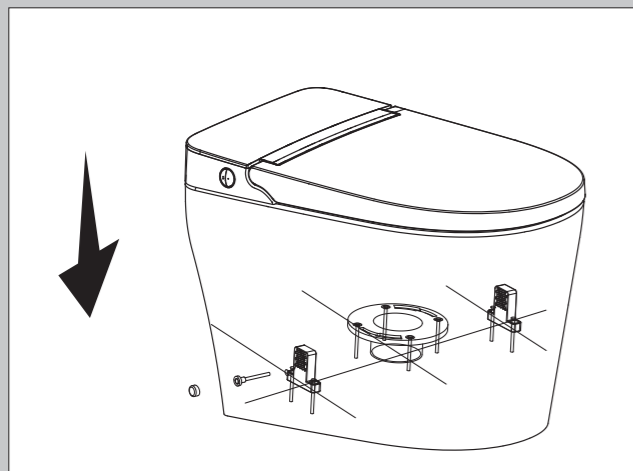


4 Install the ceramic body, water supply hose, T-valve

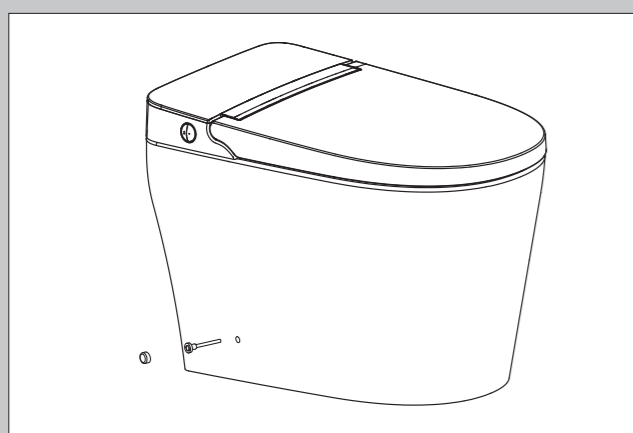
1. Place the wax ring on the drain hole at the bottom of the ceramic.



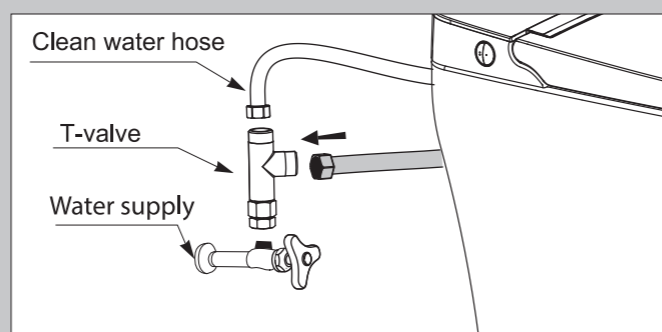
2. Align the ceramic drain with the drain hole on the ground, and press down to make the wax ring fully contact with the ground.



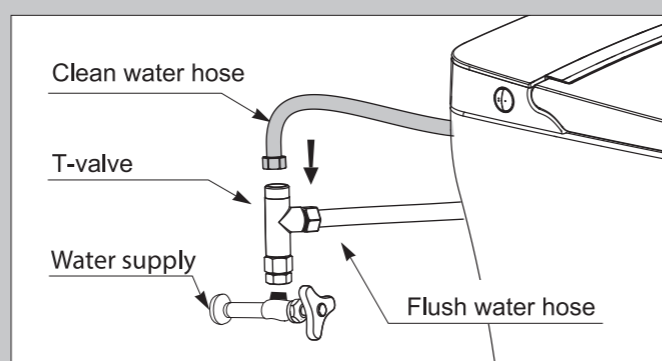
3. Fix the two sides of the ceramic with two bolts, and finally install the cap.



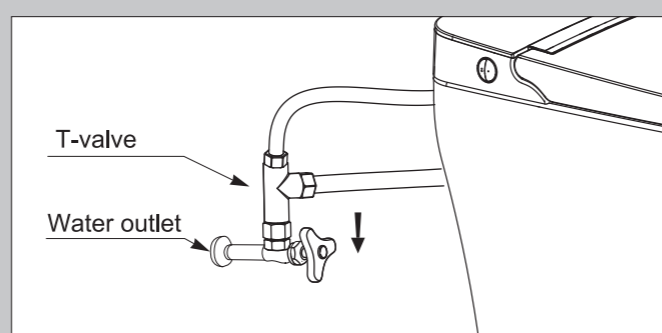
4. Attach the flush water hose to the T-valve and tighten.



5. Attach the clean water hose to the T-valve and tighten.



6. Connect the T-valve to the water supply and tighten. Use gasket to prevent water leakage.



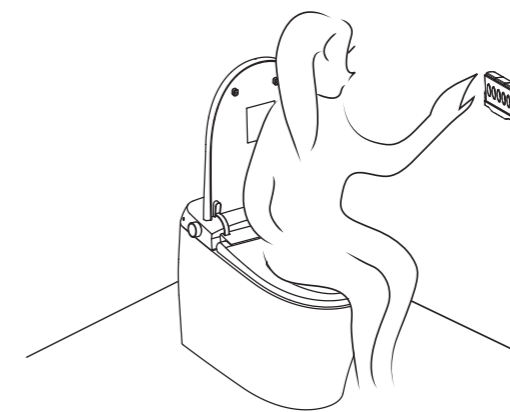
7. Finish installation.

5 Installing the remote

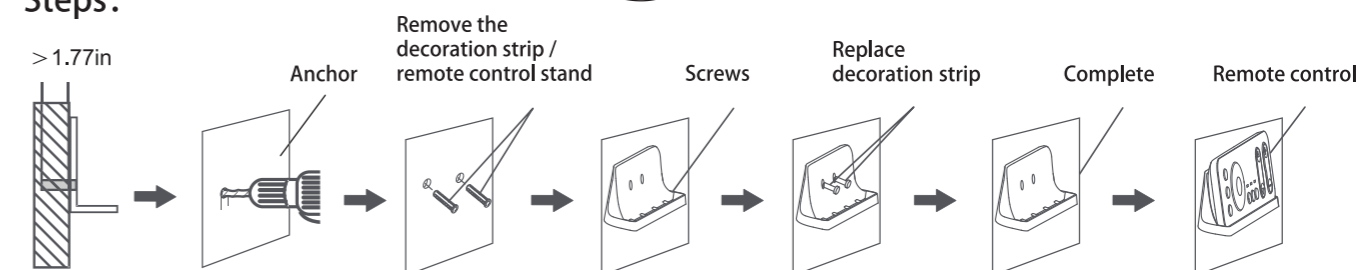
1. Drill two 6mm(0.24 inch) diameter holes on the wall (about 1.77 in deep)
2. Knock the anchors into the hole with a hammer.
3. Secure the holder with anchors.
4. Use the screws to secure the holder to the wall.
5. Remove the battery cover from the backside of the remote to install batteries
6. Once finished, remote is ready to be placed in its holder.

Detailed steps shown in the diagram below:

- ※ Please use proper mounting tools for special wall surfaces (such as wood, HDF, etc.)
- ※ The remote control holder should be installed away from the bidet's spray trajectory.
- ※ The remote control holder should be installed within reach when seated on unit.
- ※ Make sure there is nothing to block the transmission between the toilet and its remote.



Steps:



6 Installing and replacing the battery box

Install and replace the emergency flushing battery

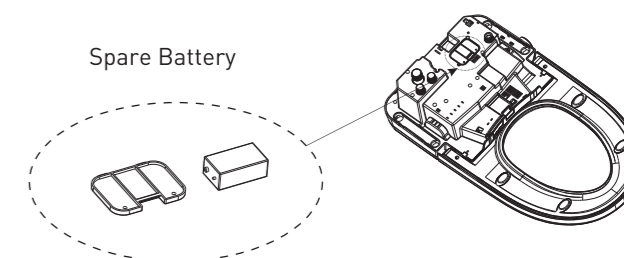
1. Reach into the bottom of the toilet cover and lift the cover upward firmly;
2. Remove the battery cover by unscrewing the screw with a crosshead screwdriver;
3. Replace the new battery, shut the battery cover, and tighten the screw with a crosshead screwdriver;
4. Place the toilet cover to the flat position and press down to fix the cover.

※ Please confirm the battery's positive and negative poles. Please do not charge, disassemble, fire the battery, or mix with used batteries or different kinds of batteries to avoid liquid leakage or explosion.

※ The battery box has a moisture-proof function. Please ensure that the set screws are screwed in place to achieve a good seal effect.

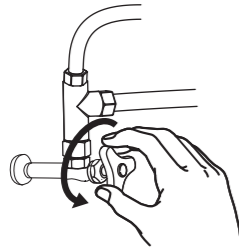
※ If the battery needs to be replaced, it is recommended to contact your local dealer to have it replaced by specialized personnel.

When delivered from the factory, the battery has been installed in the battery box.



7 Testing water flow

1. Open the water supply angle valve to maximum as shown in the figure.

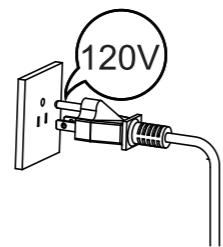


2. Confirm various connecting parts are not water leaking.

※ In case of water leaking, unfasten the nuts again and install them again.

8 Connecting power

1. Connect to the grounding.
2. Plug in AC 120V power plug.



3. Check to see if the power is on.

(1) Check to see if the power light is on. If not, push the reset button.

(2) Once the power light is on, the toilet will run its initial diagnostic: lights will turn on, cleaning nozzle will extend, the motor will begin to run and water will run through the system. Once the light is off, the self-diagnostic is complete.

(3) Press the side power button, confirm the toilet is power on.

Testing the product (Checking the side panel buttons and remote control)

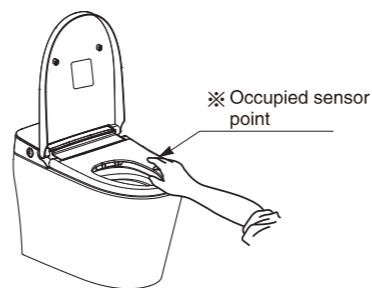
● Are all the functions working properly?

Posterior Wash, Front Wash (Including water pressure & nozzle position adjustment), Heated Dryer, Water & Seat temperature Adjustment, Nozzle cleaning, Anion Deodorization, remote control.

All functions listed above should be tested.

● Checking posterior wash

Place hand on sensor point (shown in illustration on right), press Posterior on the Side Control Panel or the wireless remote. Use hand to block nozzle spray.

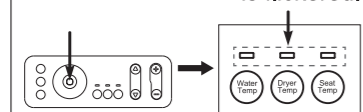


Matching your remote control code

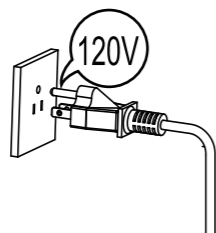
※ When the product leaves the factory, the remote control and the product are connected, if the remote control went failure, please re-connect the code as following methods.

1. Unplug the product's plug, press the stop key for few seconds until the level light is flickered.

Press the stop key for few seconds

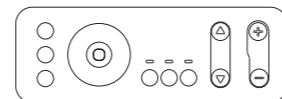


2. Plug the attaching plug when the remote control get closer to the product.



3. The level light stops flickering, and then it is lighted on.

All the level light (red) is lighted on

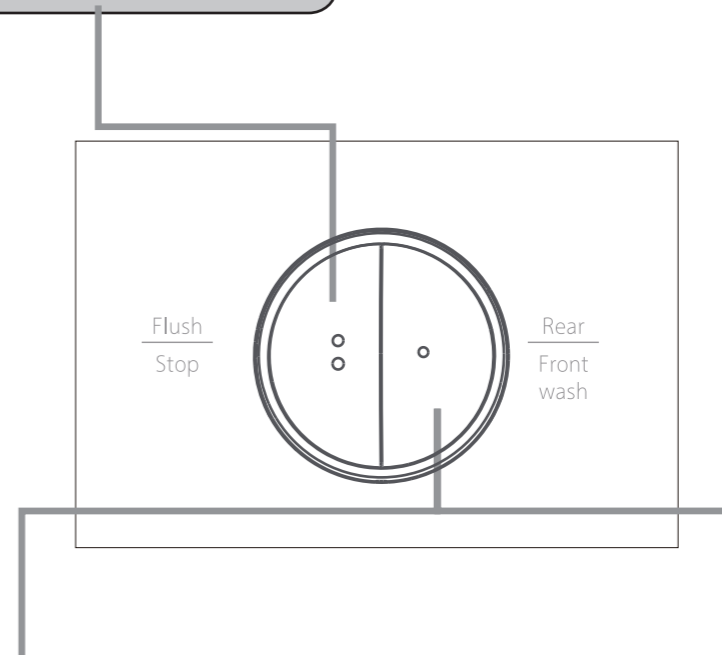


4. At the time, the remote control and product is re-connected.

《Function Explanations》

■ Power/Stop

Stand by: Press it for 3s to activate it.
Activated: under the hip cleaning, female washing, drying mode, press it for short time to stop it, press and hold for 3s to shut down.



■ Front

While seated, press the Rear button to start the rear wash. The wash cycle lasts 1.5 min by default. The dryer will automatically start once the wash cycle ends. The dryer cycle takes 4 minutes to complete.

During the wash, if the Rear button is pushed again, that will stop the wash cycle and automatically start the drying cycle. To stop the drying cycle, press the Stop button.

■ Rear

While seated, press the Front button to start the front wash. After the washing cycle has completed (1.5 min), the drying cycle will start automatically (4 min). To stop the Front washing cycle, press the button again, and the drying cycle will start automatically. To stop the drying cycle, press the Stop button.

※ When starting up, short press the knob to send ceramic flushing command when there is no function.
Knob light color : lake blue

■ Auto flush

When the seat sensor no longer detects a user, it will automatically flush.

The toilet will only flush once.

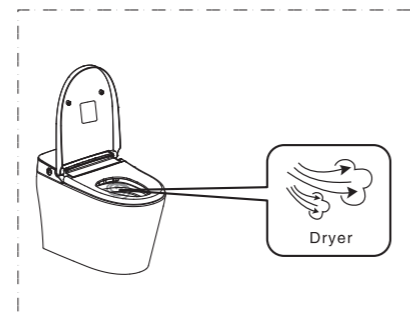


■ Dryer flush

Press the "Dryer" button.

The warm air function is activated and a flush is performed.

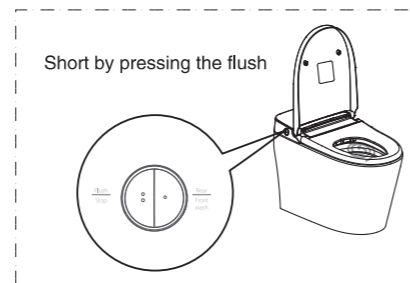
※Posterior/front wash is not available during flushing.



■ Black out flush

When the product is not plugged into the power supply, short press to flush.

Can realize power outage flushing function.
※If the preceding operations do not work, replace the battery or contact the storage system Local dealers.



■ User-friendly Design

- Slow-closing lid/seat
Preserve your toilet's life and allows you to close the lid/seat silently.
- Water purification
Equipped with dedicated filter to ensure your bidet will only spray clean, filtered water.
- 8 Layers of safety
8 different built-in safety features to protect the user and product.
- Memory mode
After power failure, water temp, water pressure, seat temp, and wand position are all restored to mid-range after power failure. Night light is turned on by default after power failure. On / off, keep the last memorized setting state.



Maintenance

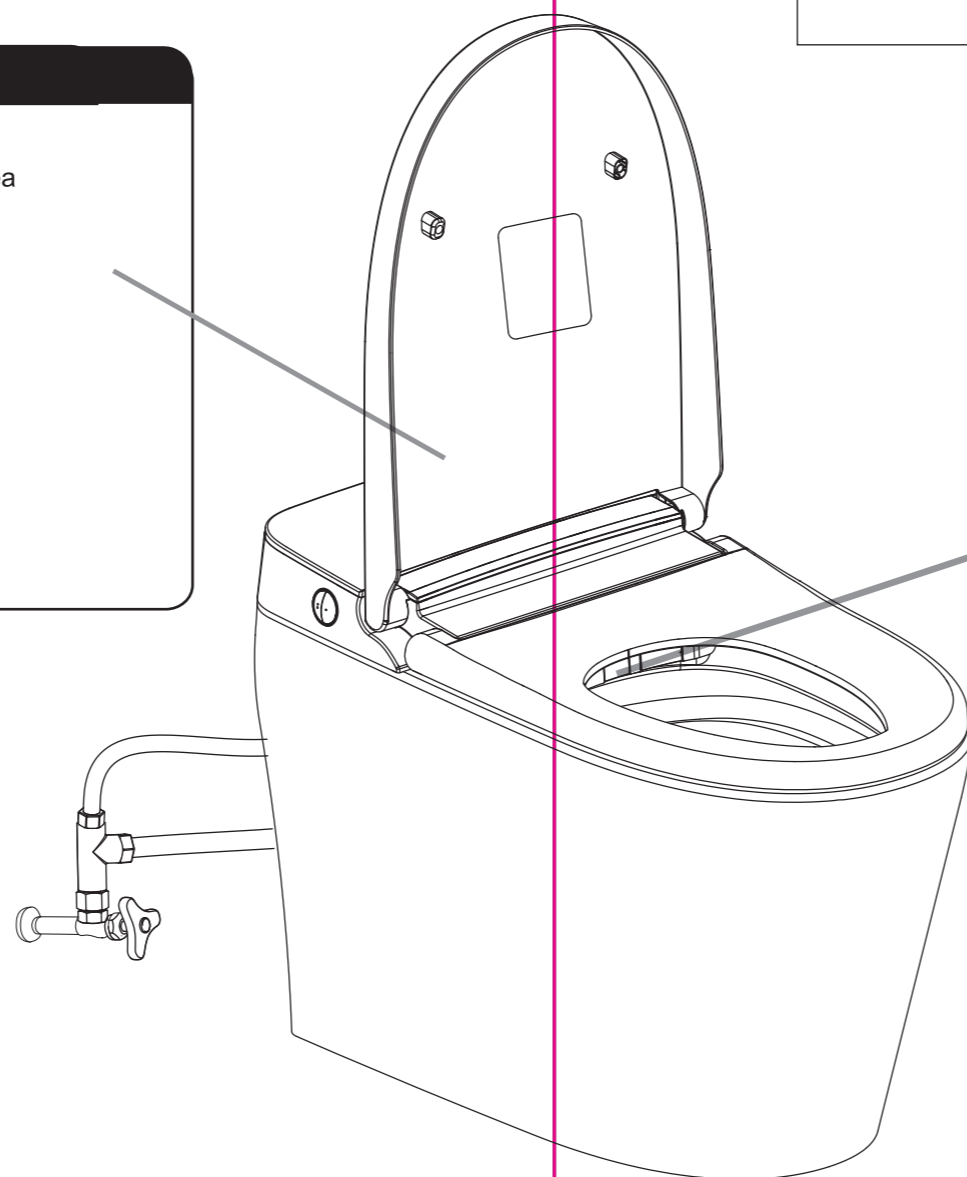
Regular maintenance is required to ensure normal use

Note

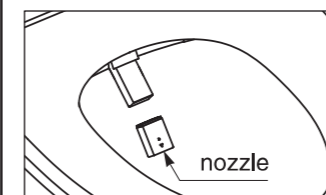
- Cut off the power and water supply before maintenance.
- Direct water wash to the entire product is prohibited.

Maintenance of product surface and ceramics

- Wipe dust or stains with a soft wet cloth
- A wet soft brush, cloth or sponge may be used to clean the ceramic area
- ※ Do not use abrasive cleaning solutions, such as alcohol, bleach, paint thinner, cresol, benzene, gasoline, etc.



Maintenance of the nozzle



Press the "Nozzle Clean" button on the remote control without occupying the seat. The nozzle will extend. Proceed to clean with a soft toothbrush.

Do not forcefully hold the nozzle, otherwise it may break.

Please change the spout if it blocked.

WARNING

Do not spray water or detergents on the toilet, remote control or the power cord. Doing so may cause electric shock or fire.



Note

- Maintenance during Winter Season
During winter season, the water inside may freeze after long periods of storage and non-usage. Please take measures to prevent.
- Before connecting the product to the water supply and electrical outlet, allow it to defrost for 30 mins in a warm indoor environment.
- In cases of extreme cold/freezing/nozzle stuck in place, wrap the water input line with a warm towel. Never pour hot water or use a hot dryer directly on the toilet.

Troubleshooting

Experiencing issues with your product?

If the user should run into any issues, please consult the troubleshooting guide below. If problem persists, please contact a professional.

Power button

Phenomenon	Fault Diagnoses	Solutions
Not working	Check whether the attaching plug is loose or not	Please check the circuit
	Check whether the power is switching on or off (the power light is not on)	Press rotated switch for 3s, the power light is on.
	Check whether there is any electric leakage or not	Please unplug the attaching plug and contact with local distributor to repair.

Wash functions

Phenomenon	Fault Diagnoses	Solutions
No water from the spout	Check whether or not the water supply cuts off	Wait for the water supply restoring
	Check whether or not the angle valve switches off	Open the angle valve
	Check whether or not the water filter is blocked	Clean the filter mesh or change the water filter
	Check whether or not the inlet pipe is flexed	The inlet pipe must be straight
The intensity of cleaning is not strong enough	Check whether or not the water pressure of cleaning switch to low level or not	Regulate the water pressure according to the instruction manual
	Check whether or not the inlet filter is blocked	Clean the filter mesh or change the water filter
Unusual water flow from the spout	Abnormal operation	Unplug the attaching plug for one minute and then plug it again
The water temp is not warm enough	Check whether or not the water supply switches to low level	Regulate the water temp according to the instruction manual
The cleanser is always leaking	Solenoid valve no longer has any effect	Please contact with our qualified maintenance personnel for repairing
The cleaning function is not working normally	The human induction system of the toilet seat no longer has any effect	Please contact with our qualified maintenance personnel for repairing

Dryer

Phenomenon	Fault Diagnoses	Solutions
The dryer blows cold air	Check whether or not the dryer switches off	Regulate the temperature of dryer according to the instruction manual
	Check whether or not the heating element of dryer is damaged	Please contact with our qualified maintenance personnel for repairing

Heated seat

Phenomenon	Fault Diagnoses	Solutions
The seat temp is too low or is not hot	Check whether or not the temp of toilet seat is on the "off" position	Regulate the temperature of toilet seat according to the instruction manual

Remote Control

Phenomenon	Fault Diagnoses	Solutions
The blue light of water temp is flickered	Low battery	Please replace a new battery
Remote control is not working	Check whether or not there is any water on the remote control	Wipe off water by dry towel

Toilet Unit

Phenomenon	Fault Diagnoses	Solutions
The product is not flushed clean	No power supply	Power restoration
	No water from the spout	Please contact with our qualified maintenance personnel for repairing
	No water but have the sound of flushing	1. Check whether or not the pipeline is blended or not, please keep the water supply pipeline open and smooth 2. Check there is any damage of water pump
	have water all the time	Please contact with our qualified maintenance personnel for repair if there is any unusual from the water inlet valve.