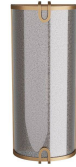
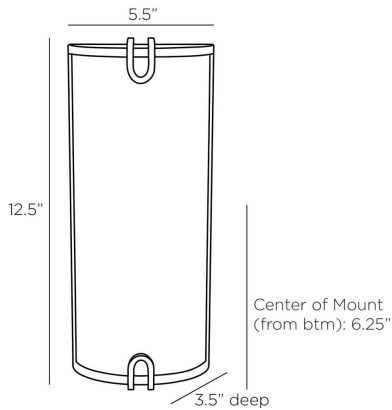


# ARTERIO RS

## ADRIEL SCONCE



DW110

H: 12.5 IN, W: 5.5 IN, D: 3.5 IN,  
Antique Brass, Mercury Glass

Designed to recall antique theater lighting, the mesmerizing finish of Mercury glass makes this glass-shaded sconce a standout in any décor. Mounted in a frame of antique brass iron, it is sure to deliver the drama. Damp-rated, although limited covered outdoor conditions may affect finish. Finish will vary.

### APPEARANCE

Material	Glass, Iron
Finish	Antique Mercury, Antique Brass
Finish Will Vary	Yes
Top Coat/Sealant	Yes

### DIMENSIONS

Backplate	H: 12.5 IN, W: 5.5 IN, D: 0.5 IN
Center Of Mount From Btm Height	6.25 in

### WIRING

Rating	Damp
Cord	0.5 FT, Clear/Silver, SPT-2
Socket	2, Type B - E12
Maximum Watt	25
Voltage	110-120 V

### CERTIFICATIONS

Certifications	Mexico, United Arab Emirates, European Union, United States, Canada, Australia
----------------	--

### COMPLIANCY

UL/ETL	Yes
CB	Yes
RoHS	Yes

### SHIPPING

Product Weight	4.4 lbs
Gross Weight 1	6.61 lbs
Shipping Box 1	H: 16.1 IN, L: 15.4 IN, W: 7.5 IN

### ADDITIONAL INFO

Features	ADA
----------	-----

### REPLACEMENT PARTS

Replacement Part 1	DW110GLS
--------------------	----------

### CONTRACT

Contract Suitable	Yes
-------------------	-----