

ASSEMBLY INSTRUCTION

DINING TABLE








IMPORTANT SAFETY CONSTRUCTION

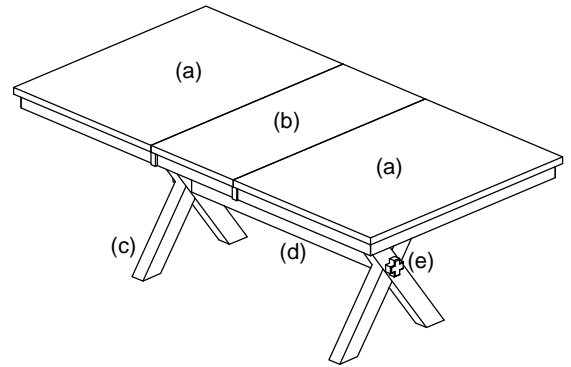
Thank you for purchasing this quality product. Be sure to check all packing material carefully for small parts that may have come loose inside the carton during shipment. Please read all instruction carefully before assembling. For your safety, assembly by two people is recommended.

PARTS INCLUDED

- (2) Table Top (a)
- (1) Table Leaf (b)
- (2) Table Legs (c)
- (1) Stretcher Table (d)
- (2) Decorated plug (e)
- (2) Mounting plate (f)

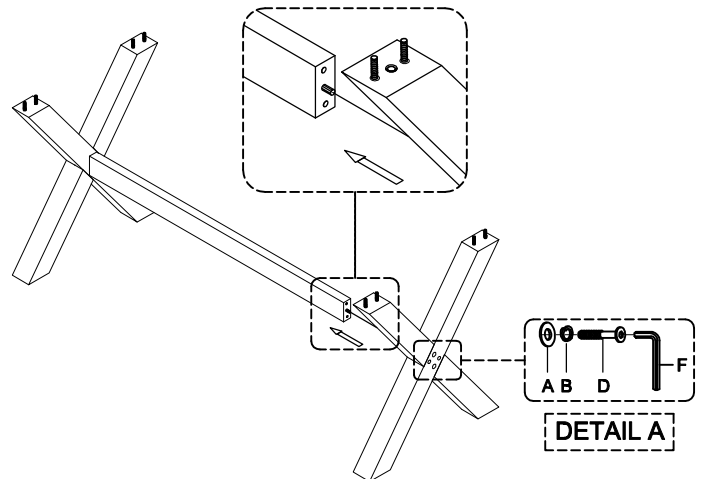
HARDWARE ENCLOSED

- A 20x  Ø8 x 16mm
- B 20x  Ø8 x 13mm
- C 8x  Ø8
- D 4x  Ø8 x 60mm
- E 8x  Ø6 x 40mm
- F 1x 
- G 1x 



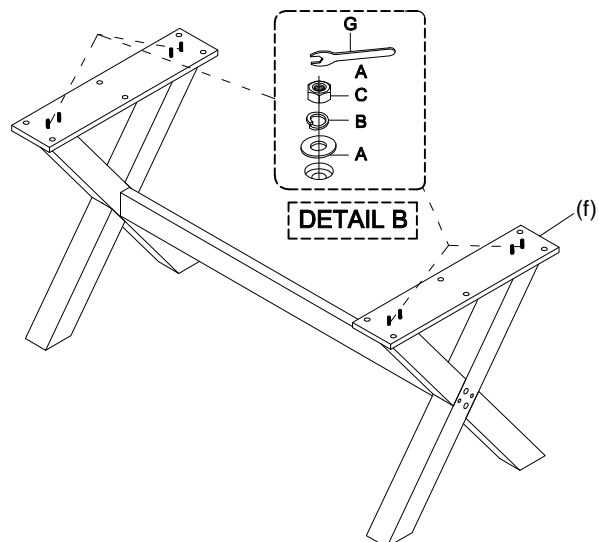
STEP 1:

- Insert Stretchers between the legs, using Flat Washer (A), Lock Washer (B) and long bolt (D),
- Tighten screws with provided Allen Key (F) by turning clockwise until secure. (See Detail A)



STEP 2:

- Affix the mounting plate (f) on the legs, insert Flat Washer (A), Lock Washer (B), and Nut (C) on each leg bolt
- Tightening the Nut on each Leg using provided Key Wrench (G).
- (See Detail B)



NOTES:

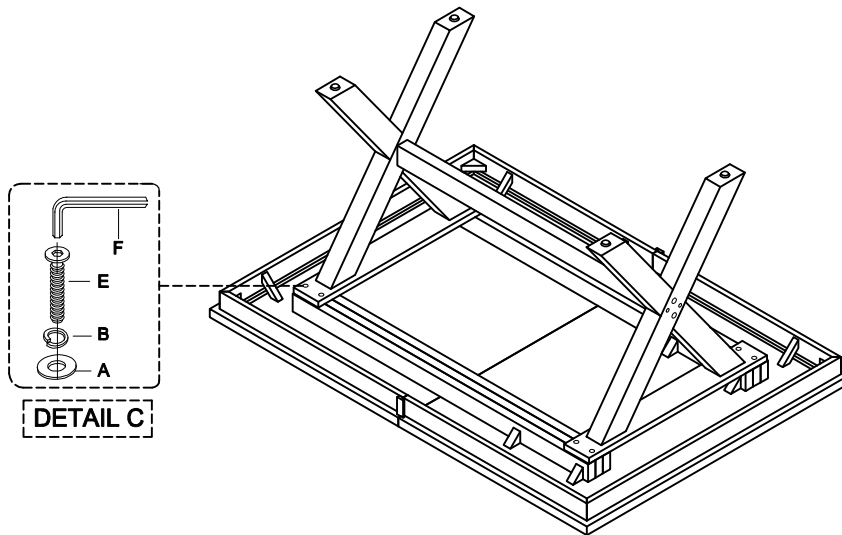
The use of power tools for assembly is not recommended. Power tools can damage hardware or split wood.

ASSEMBLY INSTRUCTION

DINING TABLE

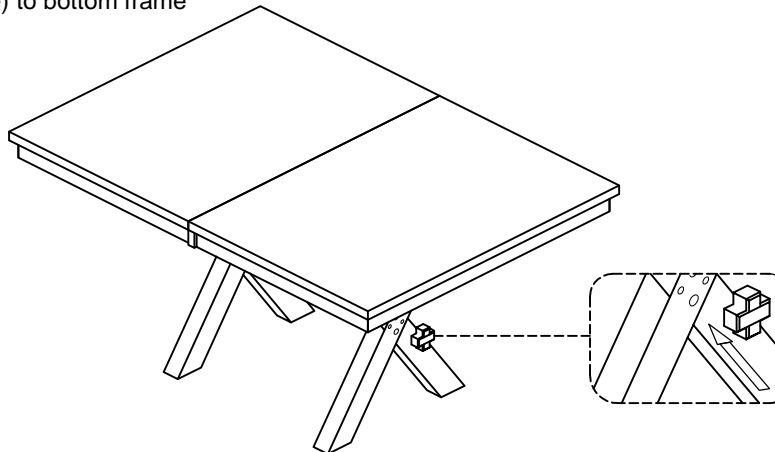
STEP 3:

- Carefully lay Table Top upside down on a smooth flat surface to prevent scratches.
- Affix bottom frame to the Table Top as shown in illustration. Insert a Flat Washer, Lock Washer and short bolt (E) .
- Tighten screws with provided Allen Key (F) by turning clockwise until secure. (See Detail C)



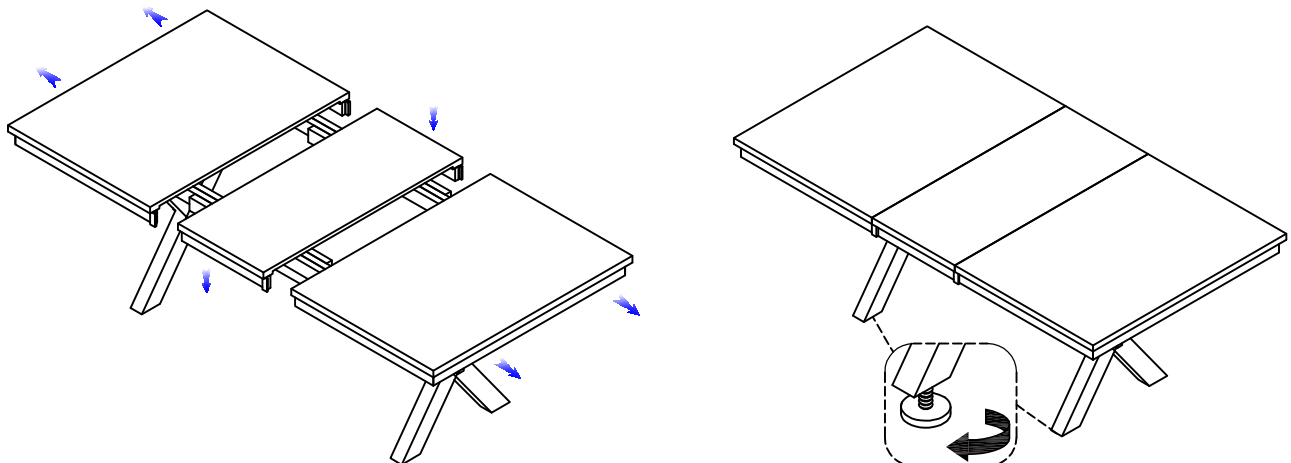
STEP 4:

- Insert Decorated plug (e) to bottom frame



STEP 5:

- To fully extend the table, open both ends as far as possible. Carefully place the Table Leaf into the open position as show.



NOTES:

The use of power tools for assembly is not recommended. Power tools can damage hardware or split wood.